



US00D769945S

(12) **United States Design Patent** (10) **Patent No.:** **US D769,945 S**
Serrurier et al. (45) **Date of Patent:** **** Oct. 25, 2016**

(54) **SIDEBAR PROTECTOR**
(71) Applicant: **Caterpillar Inc.**, Peoria, IL (US)
(72) Inventors: **Douglas Serrurier**, Morton, IL (US);
Madhukar Maguluru, Peoria, IL (US)
(73) Assignee: **Caterpillar Inc.**, Peoria, IL (US)
(**) Term: **14 Years**

7,793,444 B2 9/2010 Jones
D676,065 S * 2/2013 Attwood D15/28
D676,066 S * 2/2013 Attwood D15/28
D676,067 S * 2/2013 Attwood D15/28
D676,465 S * 2/2013 Attwood D15/28
2003/0066215 A1* 4/2003 Grant E02F 3/40
37/446
2004/0098887 A1* 5/2004 Livesay E02F 9/2833
37/453

(21) Appl. No.: **29/511,072**
(22) Filed: **Dec. 5, 2014**
(51) **LOC (10) Cl.** **15-03**
(52) **U.S. Cl.**
USPC **D15/28**
(58) **Field of Classification Search**
USPC D15/28, 29; 37/450, 449, 444, 446,
37/448, 455; 172/772, 772.5
CPC E02F 9/283; E02F 9/288
See application file for complete search history.

FOREIGN PATENT DOCUMENTS

AU 2012200114 2/2012
CA 2 358 339 4/2003
CA 2 826 212 7/2007

(Continued)

OTHER PUBLICATIONS

Utility U.S. Appl. No. 62/088,171, filed Dec. 5, 2014, entitled
"Replaceable Shroud for Work Implement."

(Continued)

Primary Examiner — Mark Goodwin
(74) *Attorney, Agent, or Firm* — Saidman DesignLaw
Group, LLC

(56) **References Cited**

U.S. PATENT DOCUMENTS

1,580,725 A * 4/1926 Harrison E02F 9/2808
37/444
3,748,762 A * 7/1973 Tarrant E02F 9/2808
172/751
3,851,413 A 12/1974 Lukavich
3,961,788 A * 6/1976 Helton E02F 9/28
172/701.2
3,995,384 A 12/1976 Wood
3,999,614 A 12/1976 Rhoads
4,290,214 A * 9/1981 Stepe E02F 9/2808
172/701.2
4,932,145 A 6/1990 Reeves, Jr.
5,088,214 A 2/1992 Jones
5,119,888 A 6/1992 Hall
5,333,696 A * 8/1994 Cornelius E02F 9/28
172/719
7,266,914 B2 * 9/2007 Grant E02F 3/40
37/444
7,275,338 B2 10/2007 LaHood
7,712,234 B2 * 5/2010 Striegel E02F 3/40
172/762

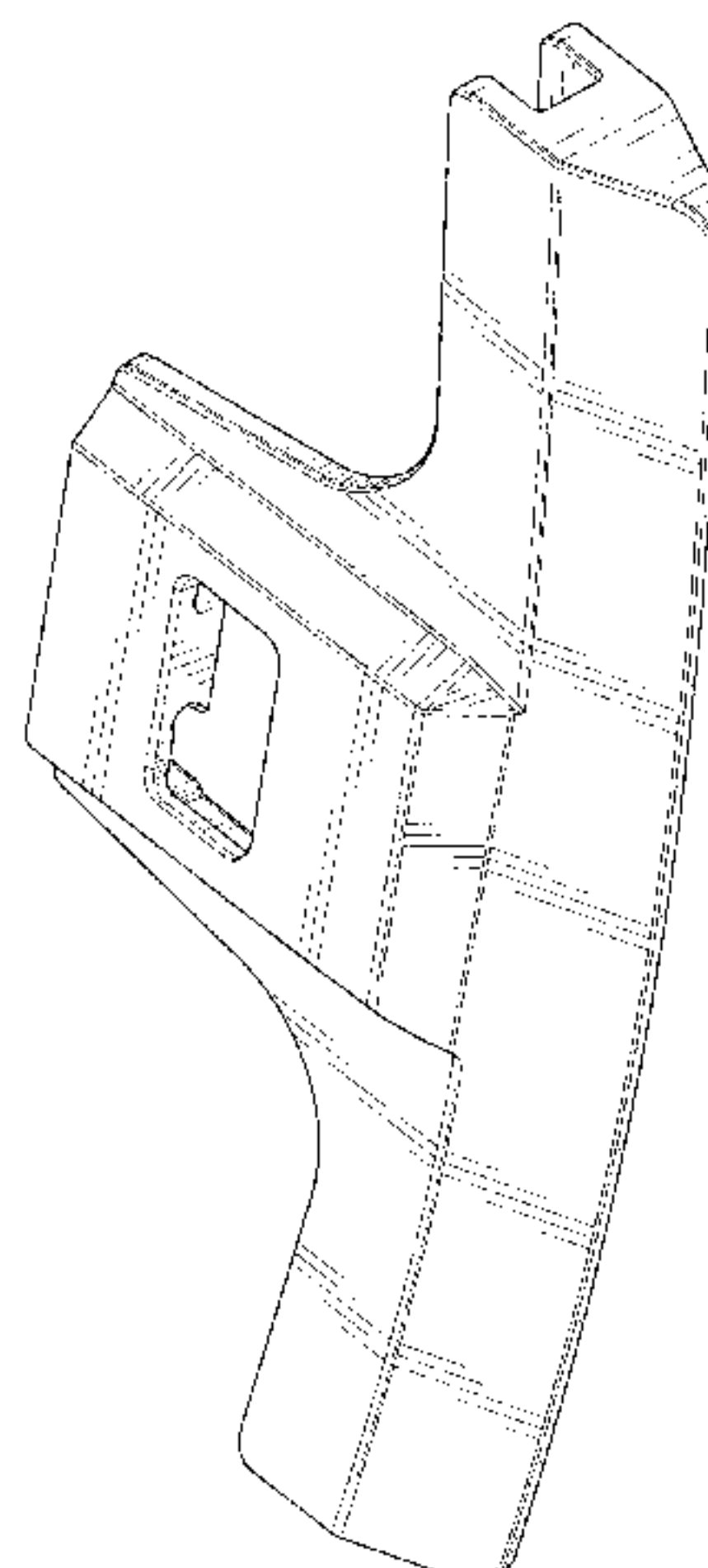
(57) **CLAIM**

The ornamental design for a sidebar protector, as shown and described.

DESCRIPTION

FIG. 1 is a front perspective view of a sidebar protector showing our new design;
FIG. 2 is a left side view thereof;
FIG. 3 is a right side view thereof;
FIG. 4 is a rear view thereof;
FIG. 5 is a front view thereof;
FIG. 6 is a top view thereof;
FIG. 7 is a bottom view thereof; and,
FIG. 8 is a rear perspective view thereof.
The drawings include surface shading that represents contour and not surface ornamentation.

1 Claim, 6 Drawing Sheets



(56)

References Cited

OTHER PUBLICATIONS

FOREIGN PATENT DOCUMENTS

EP	2 589 713	4/2004
ES	405891	2/1975
GB	2 023 095	12/1979
JP	2001-295315	10/2001
NZ	575959	6/2011

<http://www.4-dwelding.com/construction.shtml>, available at least as early as Dec. 17, 2013.

<http://www.blackcatblades.com/desktopdefault.aspx?tabindex=2&tabid=3>, available at least as early as Oct. 6, 2014.

* cited by examiner

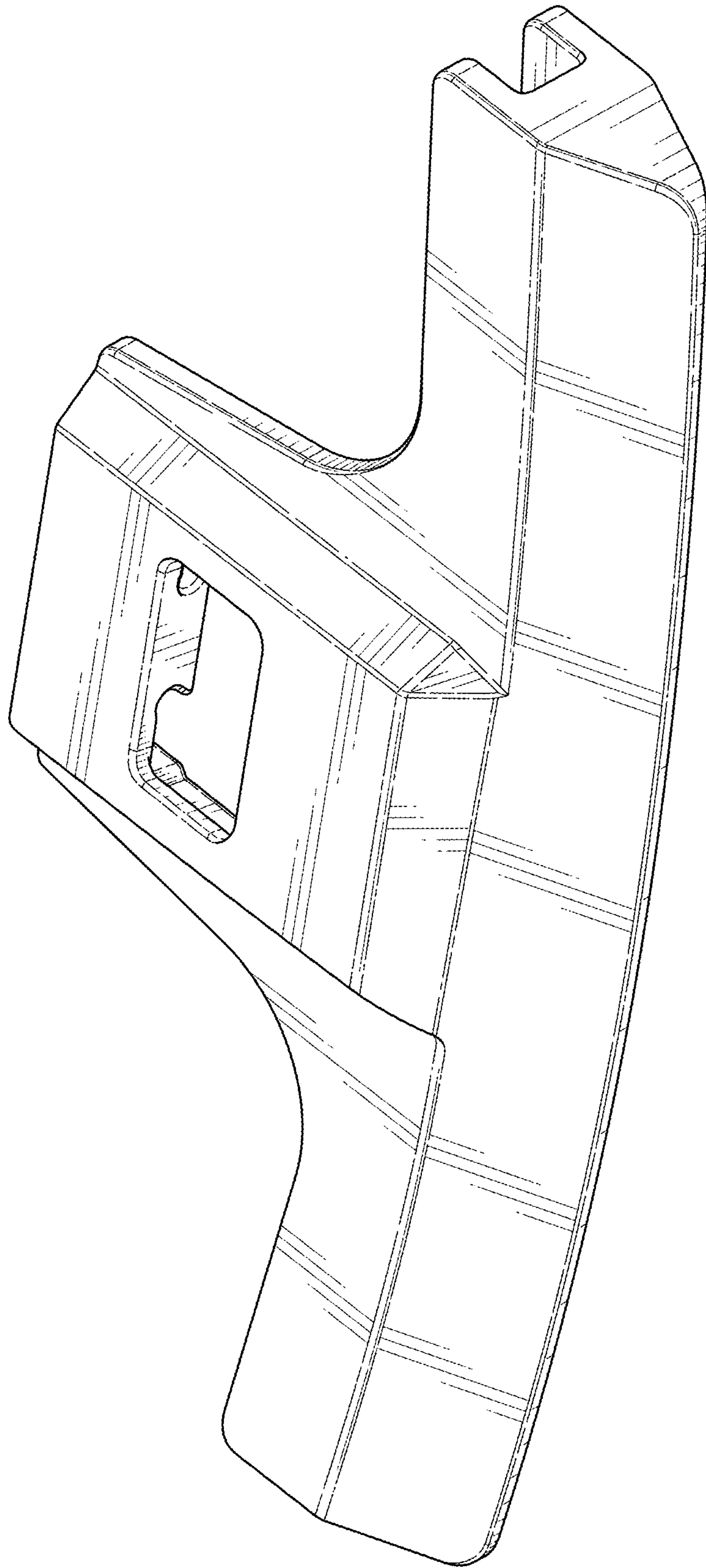


FIG. 1

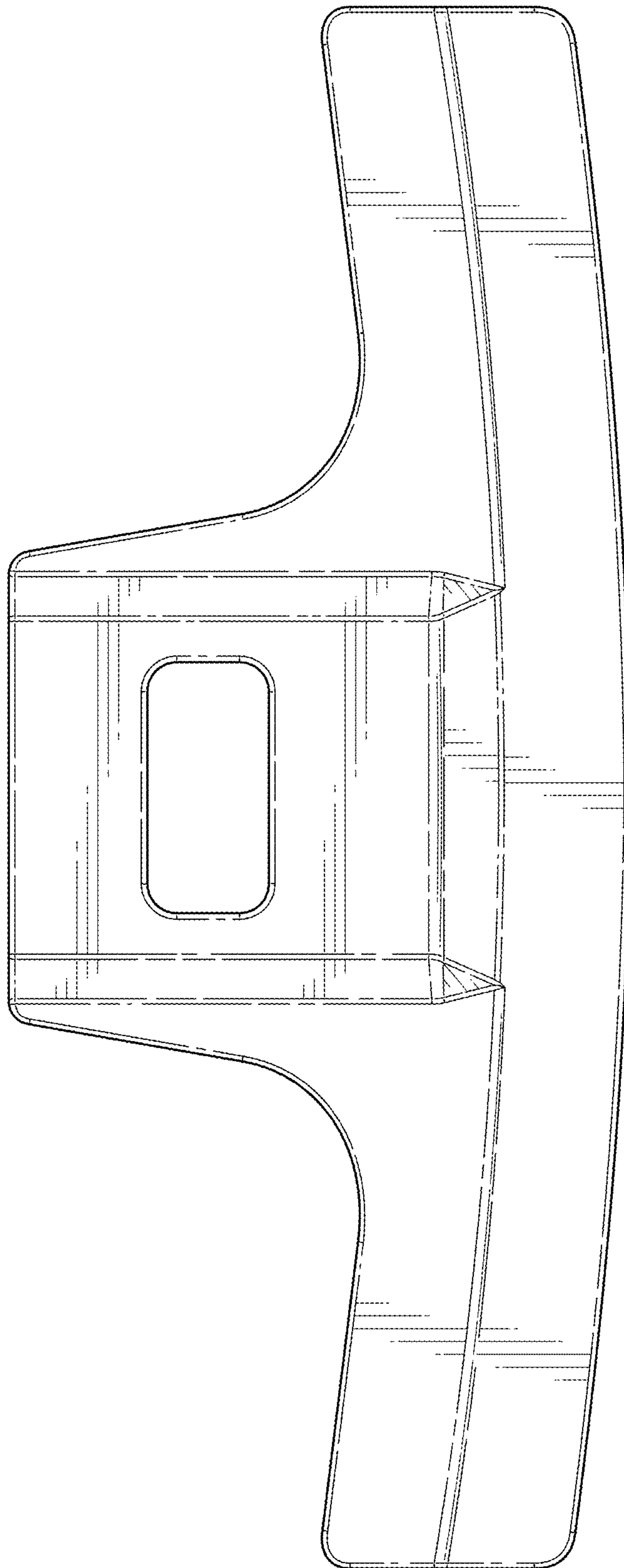


FIG. 2

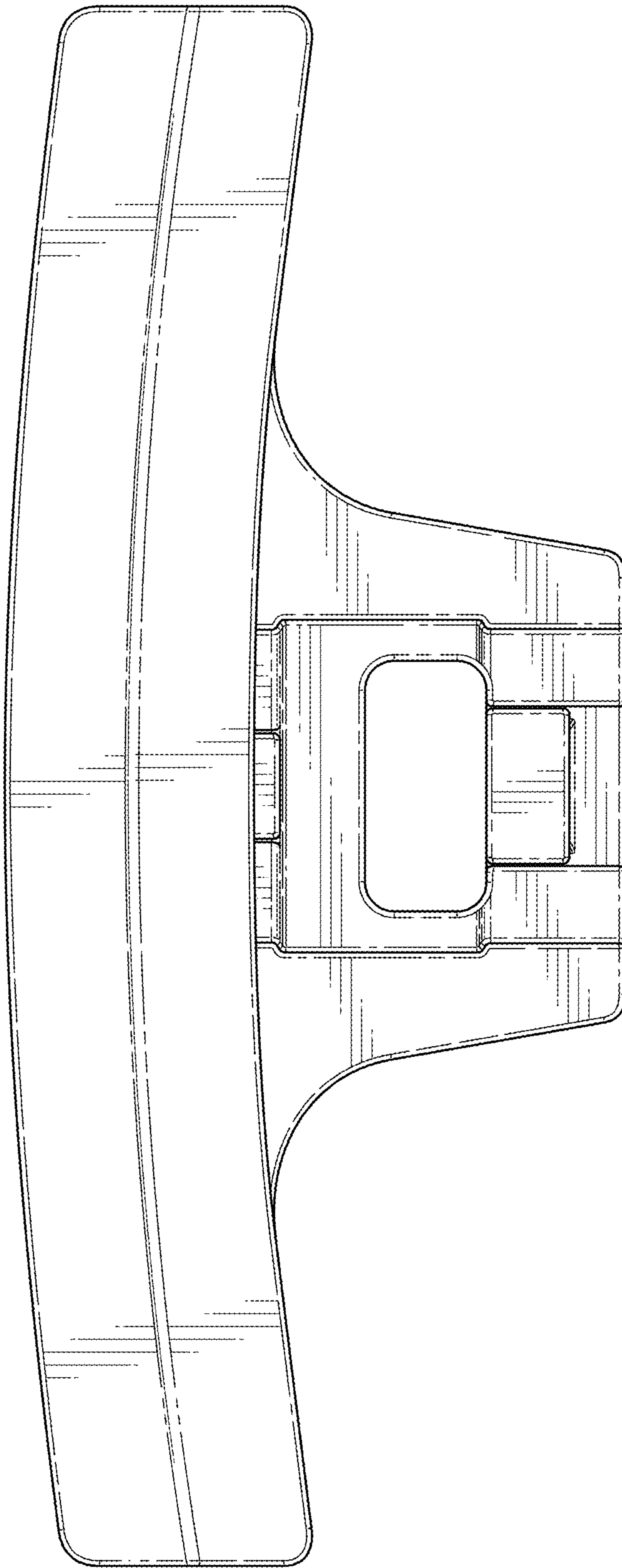


FIG. 3

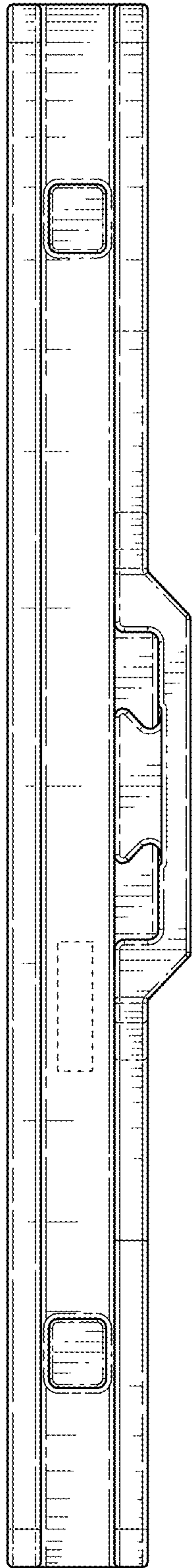


FIG. 4

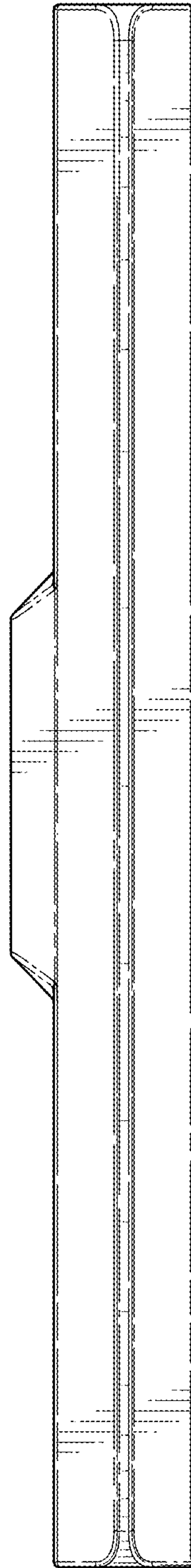


FIG. 5

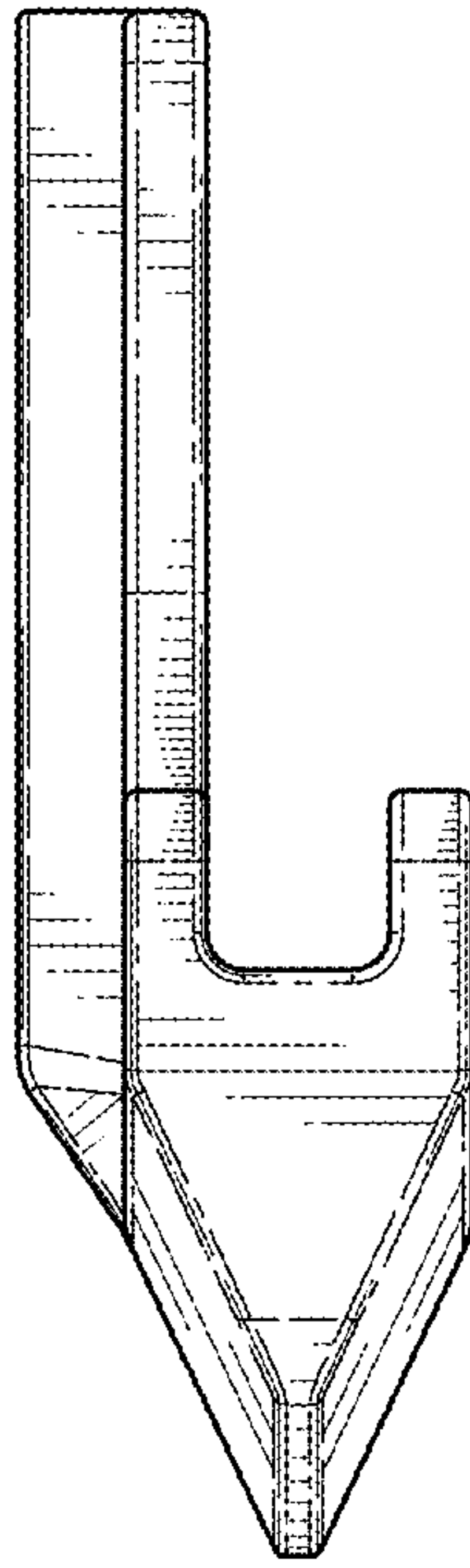


FIG. 6

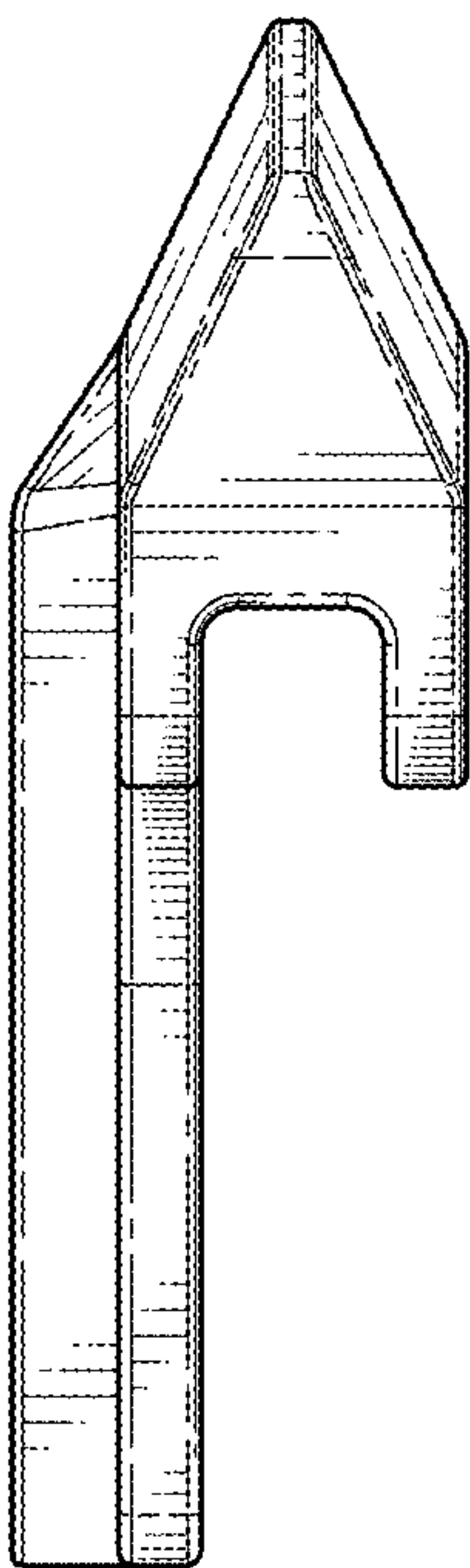


FIG. 7

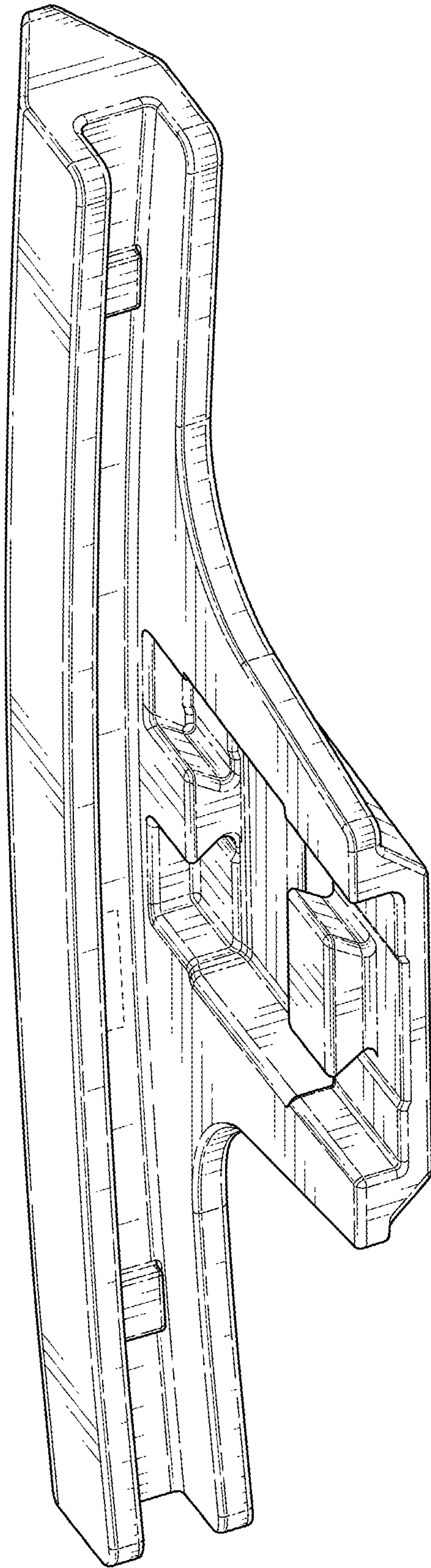


FIG. 8