



US00D769944S

(12) **United States Design Patent** (10) **Patent No.:** **US D769,944 S**
Sheedy (45) **Date of Patent:** **** Oct. 25, 2016**

- (54) **AIR COMPRESSOR**
- (71) Applicant: **Midland Power Inc.**, Toronto (CA)
- (72) Inventor: **Owen Sheedy**, Toronto (CA)
- (73) Assignee: **MIDLAND POWER INC.**, Toronto (CA)
- (**) Term: **14 Years**
- (21) Appl. No.: **29/523,202**
- (22) Filed: **Apr. 7, 2015**
- (51) **LOC (10) Cl.** **15-02**
- (52) **U.S. Cl.**
USPC **D15/9**
- (58) **Field of Classification Search**
USPC D15/7-9; D23/231, 232, 225; 417/60, 417/235, 265, 321, 355, 358, 363, 359, 417/410.1, 415-416, 405, 900; 60/408, 60/412; 184/26-37; 415/140-147; 123/495, 509
CPC F02M 37/04; F02M 37/14
See application file for complete search history.

- D516,090 S 2/2006 Gist et al.
- D516,091 S 2/2006 Gist et al.
- D517,092 S 3/2006 Leasure et al.
- D620,499 S * 7/2010 Sulzer D15/7
- D636,792 S * 4/2011 Parks D15/7
- D647,111 S * 10/2011 Pages D15/7
- D712,435 S * 9/2014 Kodera D15/7

* cited by examiner

Primary Examiner — Ralf Seifert
(74) *Attorney, Agent, or Firm* — LifeCycle IP Management Inc.

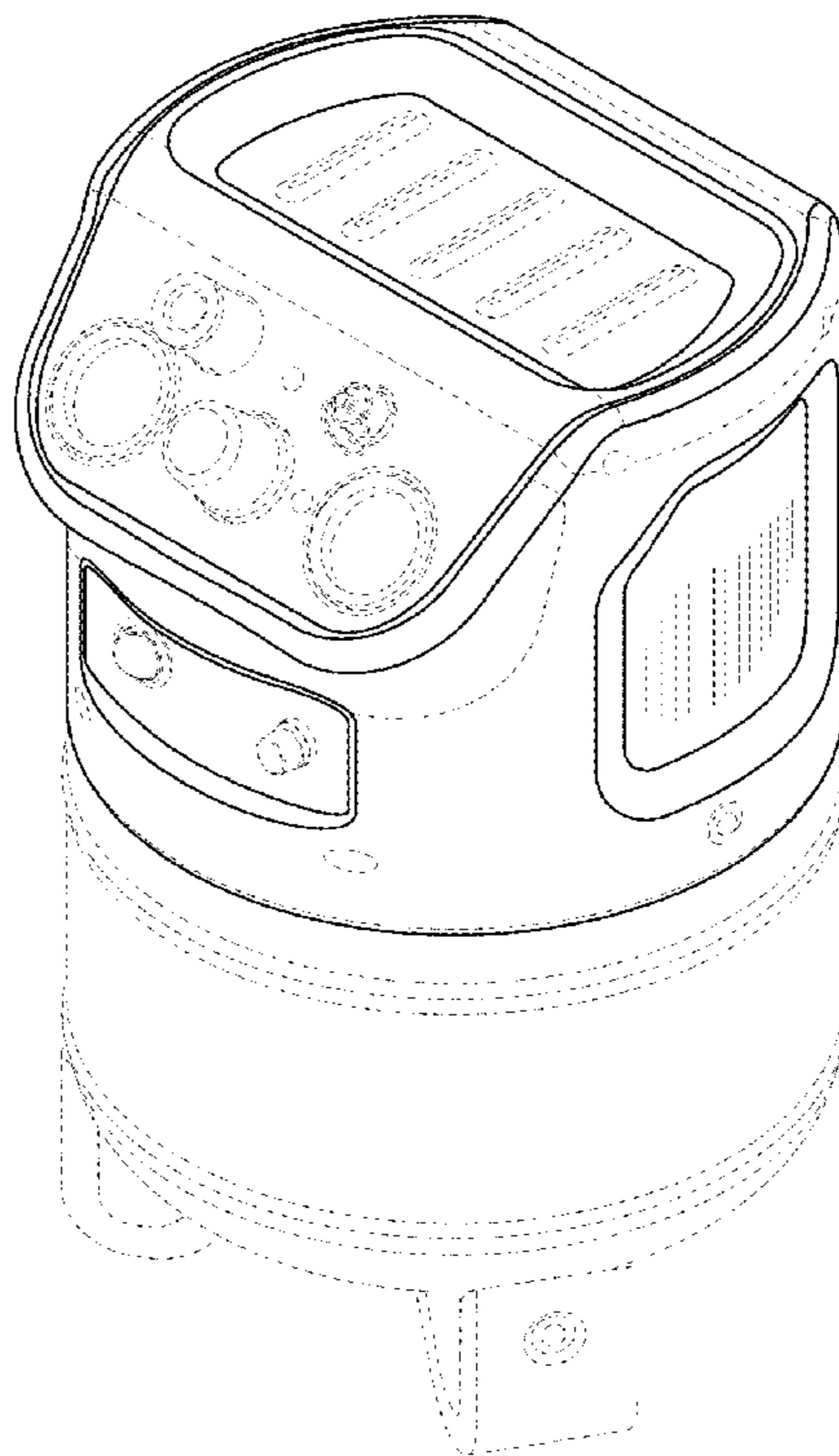
(57) **CLAIM**
I claim the ornamental design for an air compressor, as shown and described.

DESCRIPTION

FIG. 1 is a front perspective view of an air compressor showing our new design.
FIG. 2 is a right-side view of the air compressor of FIG. 1.
FIG. 3 is a left-side view of the air compressor of FIG. 1.
FIG. 4 is a front view of the air compressor of FIG. 1.
FIG. 5 is a rear view of the air compressor of FIG. 1.
FIG. 6 is a top view of the air compressor of FIG. 1; and, FIG. 7 is a bottom view of the air compressor of FIG. 1.
The broken lines shown represent unclaimed subject matter only and form no part of the claim. Where broken lines abut a claimed surface it is understood that those broken lines represent an unclaimed boundary between claimed and unclaimed surfaces. None of the broken lines forms any part of the claimed design.

1 Claim, 7 Drawing Sheets

- (56) **References Cited**
U.S. PATENT DOCUMENTS
D479,248 S 9/2003 Gist et al.
D488,485 S 4/2004 Leasure et al.
D489,733 S 5/2004 Leasure et al.
D499,429 S 12/2004 Leasure



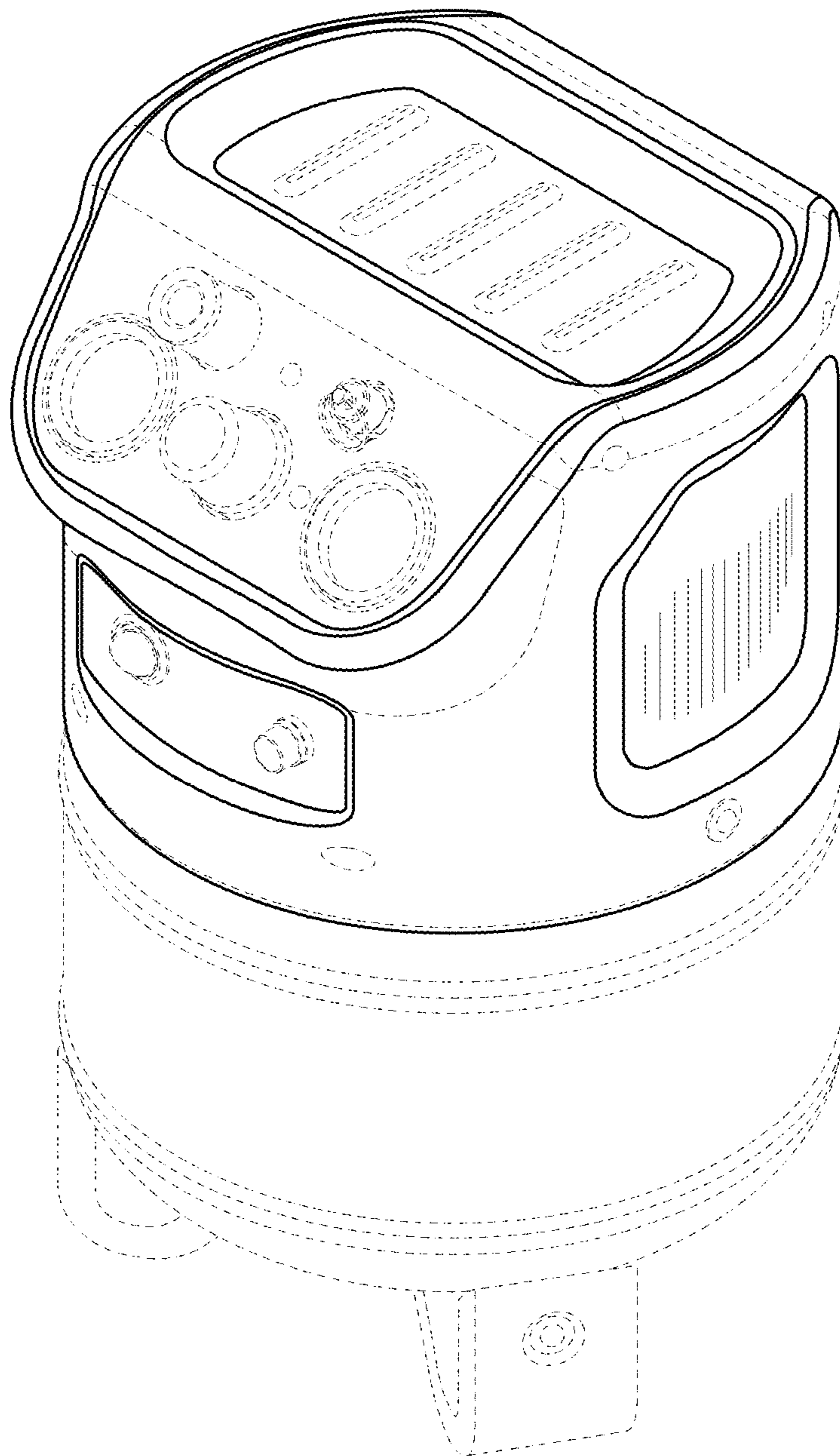


FIG. 1

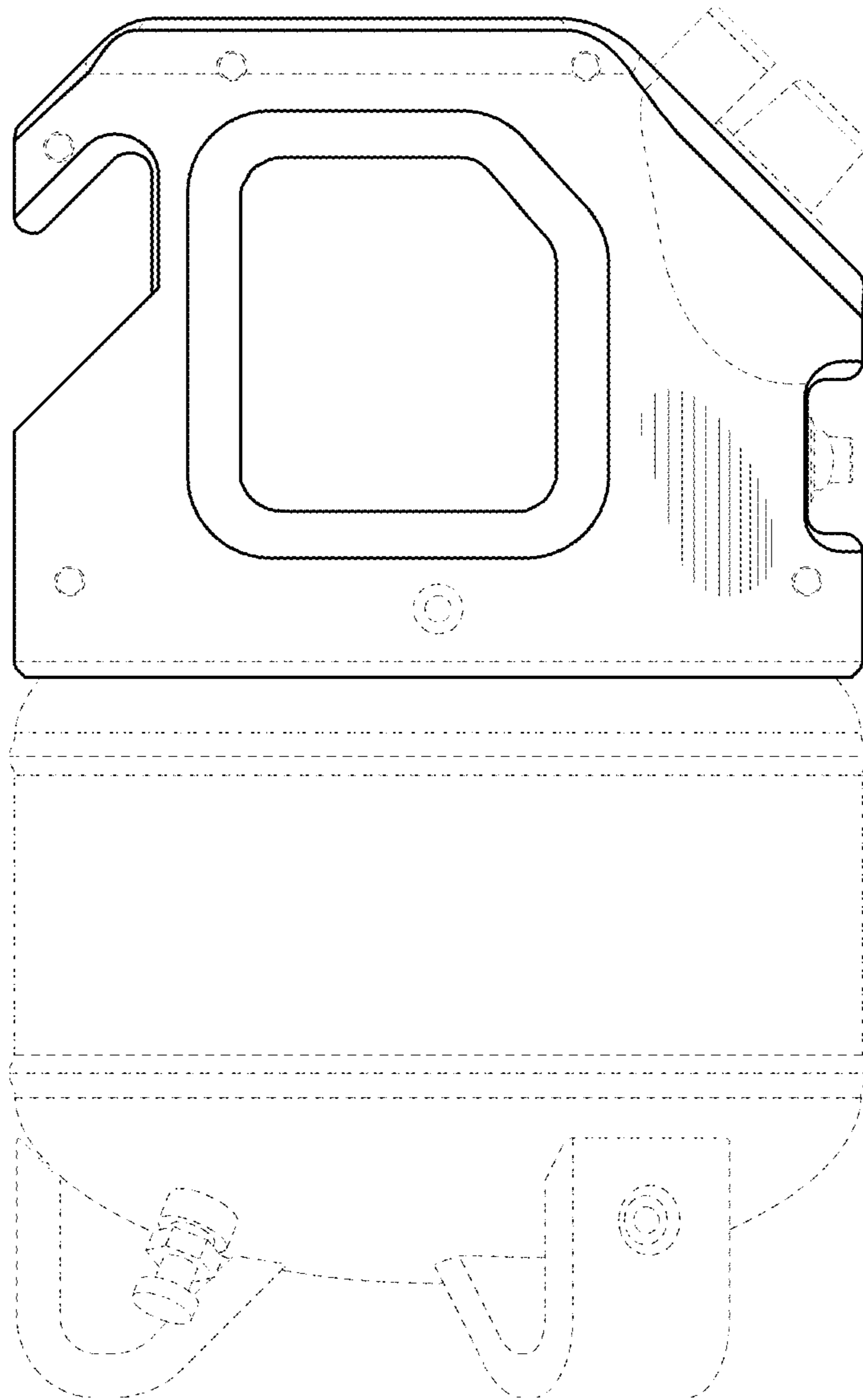


FIG. 2

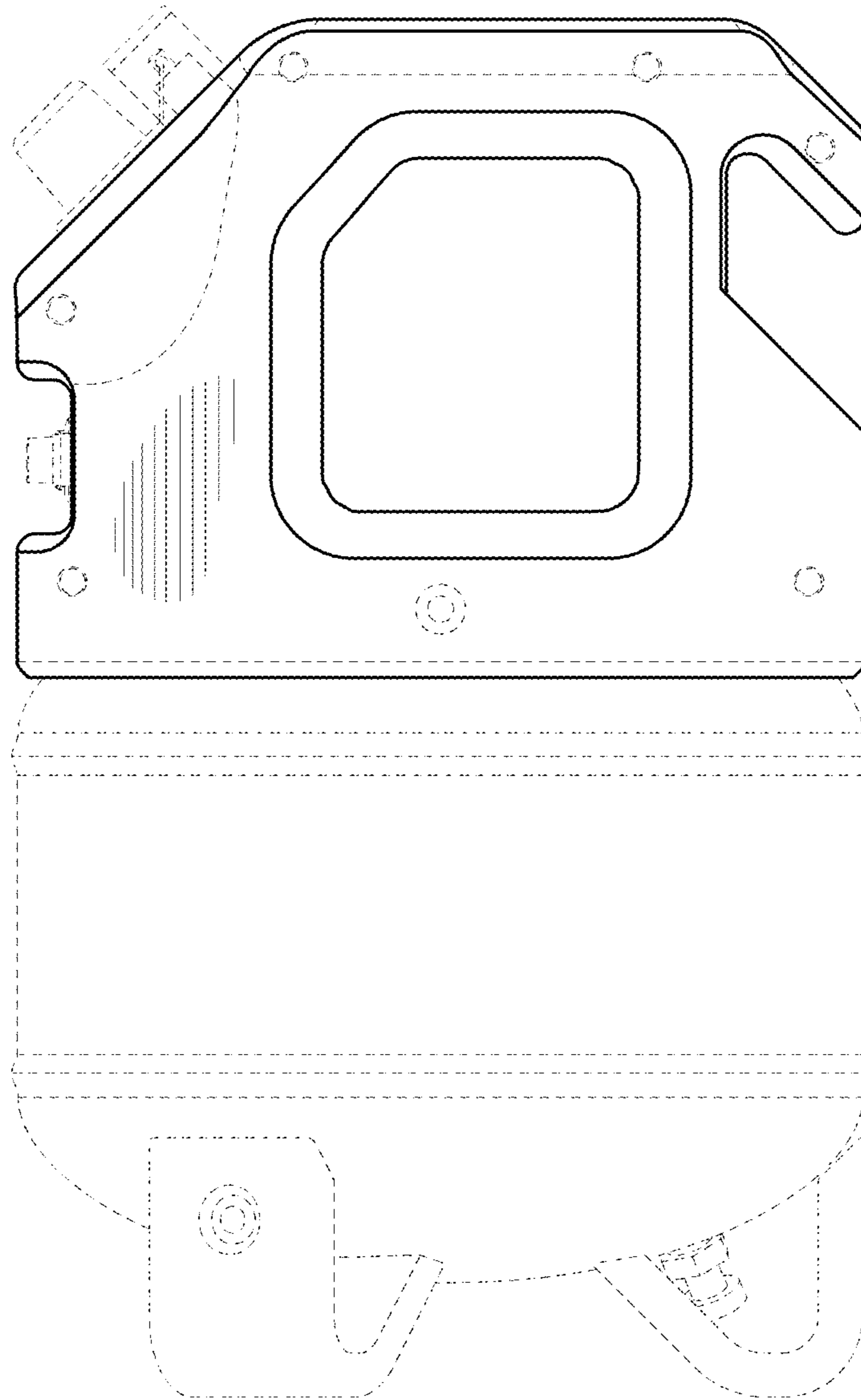


FIG. 3

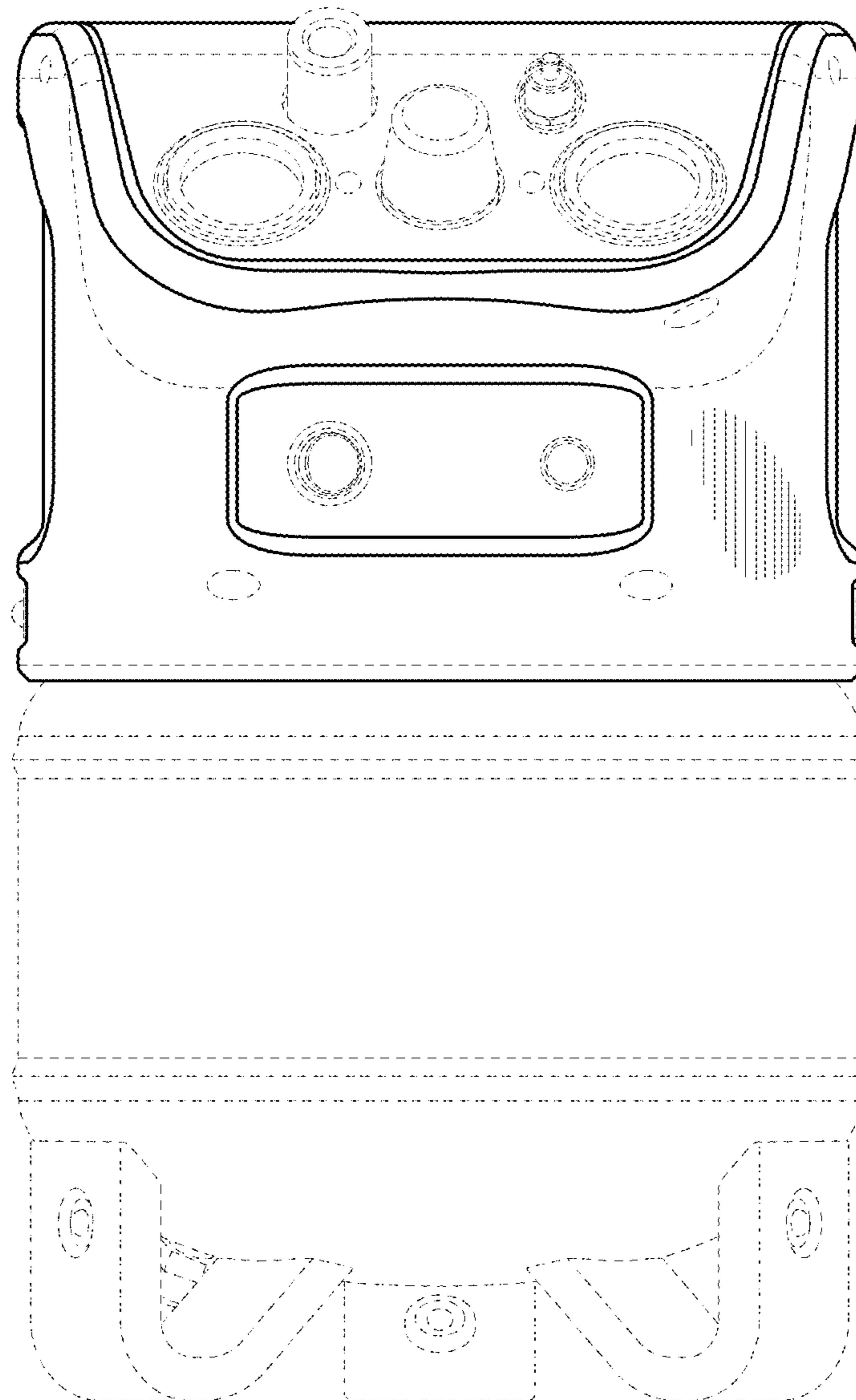


FIG. 4

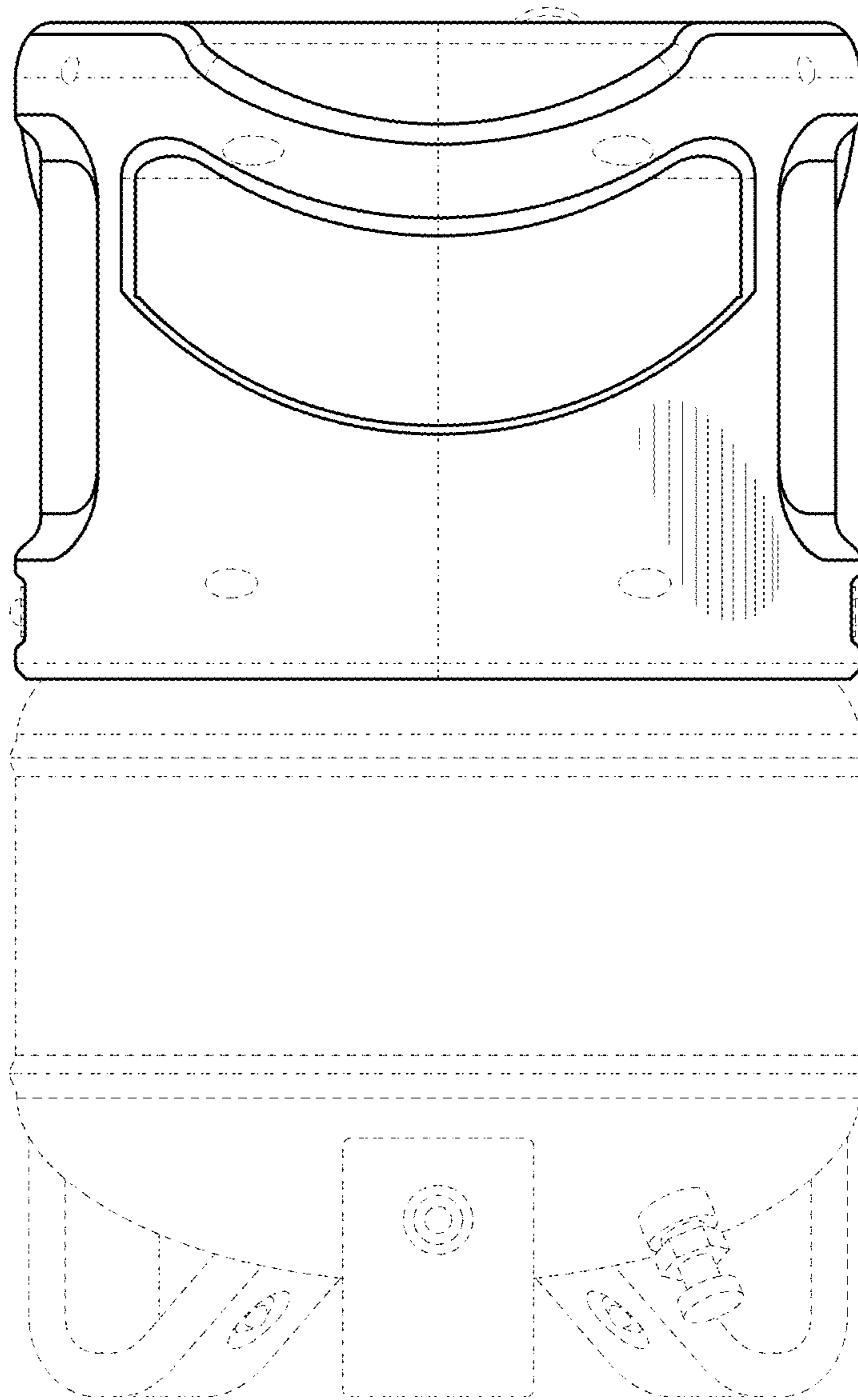


FIG. 5

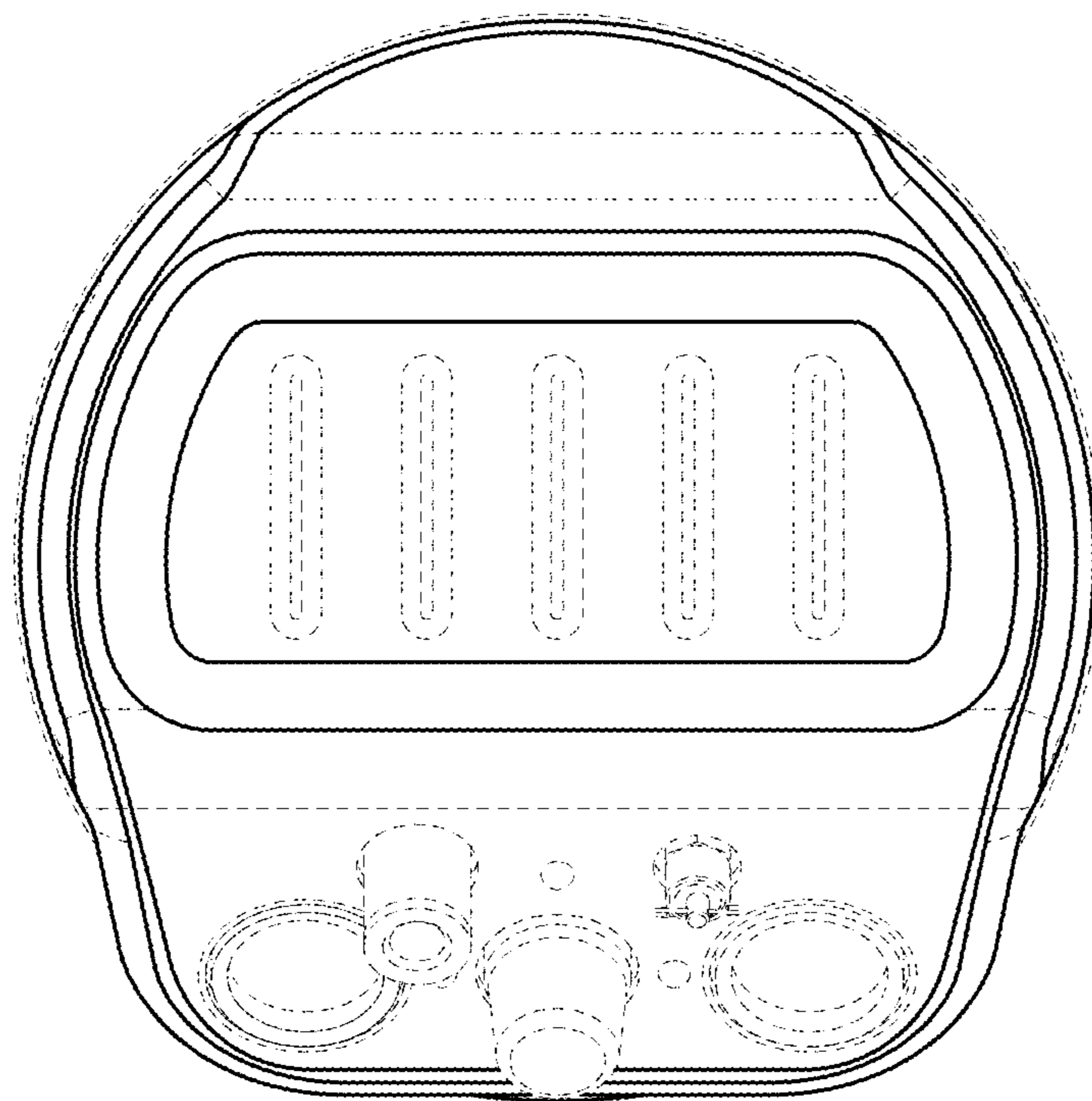


FIG. 6

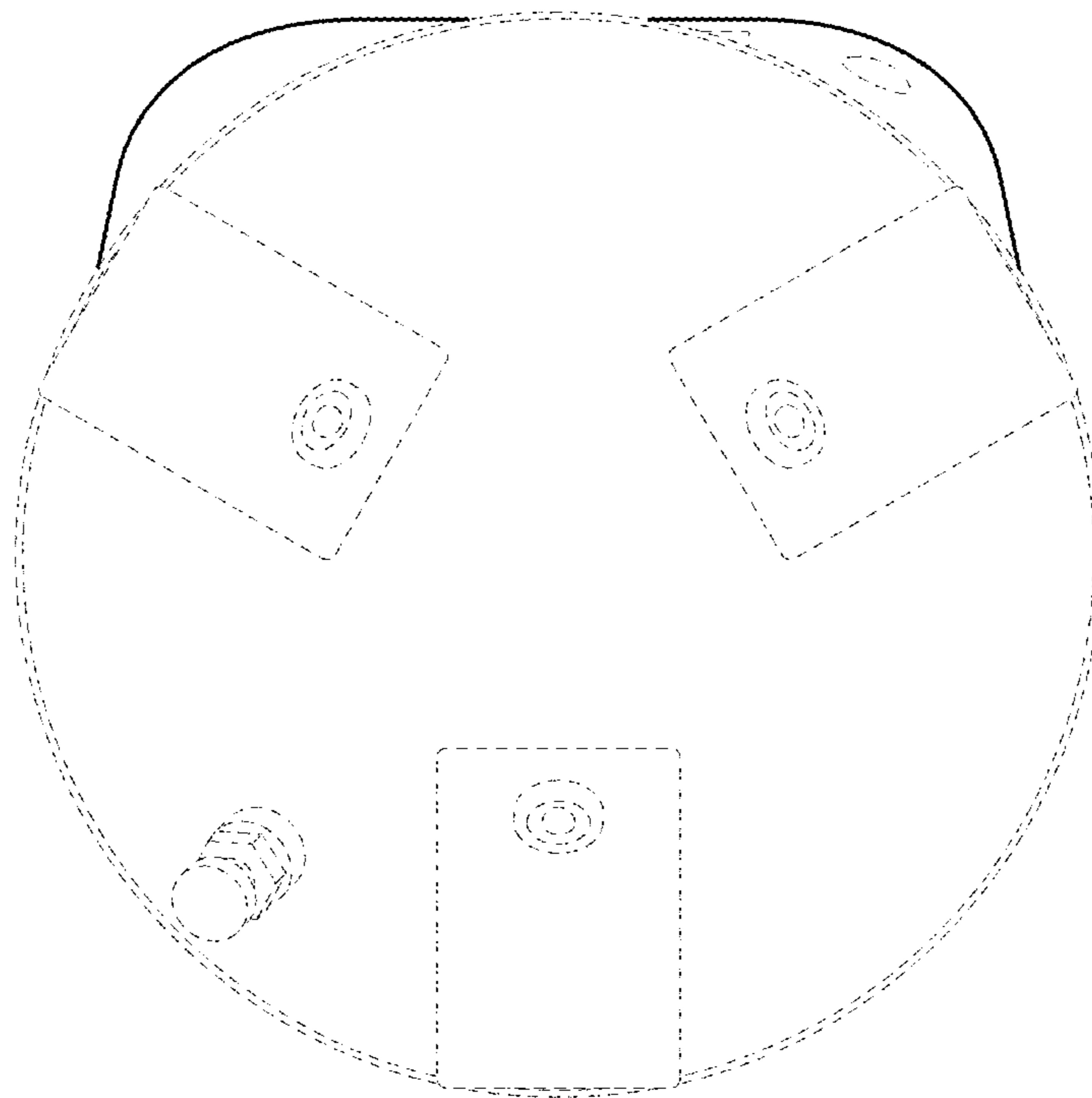


FIG. 7