



US00D769943S

(12) **United States Design Patent** (10) **Patent No.:** **US D769,943 S**  
**Charriere** (45) **Date of Patent:** **\*\* Oct. 25, 2016**

(54) **METERING PUMP**

(71) Applicant: **DOSATRON INTERNATIONAL**,  
Tresses, Bordeaux (FR)  
(72) Inventor: **Christophe Charriere**, Camblanes et  
Meynac (FR)  
(73) Assignee: **DOSATRON INTERNATIONAL**,  
Bordeaux (FR)

(\*\*) Term: **15 Years**

(21) Appl. No.: **29/546,975**

(22) Filed: **Nov. 30, 2015**

(30) **Foreign Application Priority Data**

Jun. 18, 2015 (EM) ..... 002721845-0001

(51) **LOC (10) Cl.** ..... **15-02**

(52) **U.S. Cl.**  
USPC ..... **D15/7**

(58) **Field of Classification Search**  
USPC ..... D15/7-9; D23/231, 232; 417/410.1,  
417/359, 415-416, 234, 321, 265, 405, 1,  
417/63, 53, 393, 403; D24/107, 108, 111;  
222/145.5; 60/421

CPC ..... F04B 13/02

See application file for complete search history.

(56) **References Cited**

U.S. PATENT DOCUMENTS

7,975,597 B2 \* 7/2011 Darbois ..... F03C 1/26  
91/224  
8,511,516 B2 \* 8/2013 Klopfenstein ..... B67D 1/0031  
222/129.3  
D691,178 S \* 10/2013 Lambinet ..... D15/7  
D691,179 S \* 10/2013 Charriere ..... D15/7  
D725,679 S \* 3/2015 Charriere ..... D15/7  
D729,848 S \* 5/2015 Charriere ..... D15/7  
9,303,634 B2 \* 4/2016 Furet ..... F04B 9/105

\* cited by examiner

*Primary Examiner* — Ralf Seifert

(74) *Attorney, Agent, or Firm* — Wenderoth, Lind &  
Ponack, L.L.P

(57) **CLAIM**

The ornamental design for a metering pump, as shown and  
described.

**DESCRIPTION**

FIG. 1 is a left perspective view of the first embodiment of  
a metering pump;  
FIG. 2 is a right perspective view thereof;  
FIG. 3 is a front view thereof;  
FIG. 4 is a rear view thereof;  
FIG. 5 is a right side view thereof;  
FIG. 6 is a left side view thereof; and,  
FIG. 7 is a top view thereof.  
No claim is made to the color appearing in the drawings.

**1 Claim, 7 Drawing Sheets**



FIG. 1



FIG. 2



FIG. 3



FIG. 4

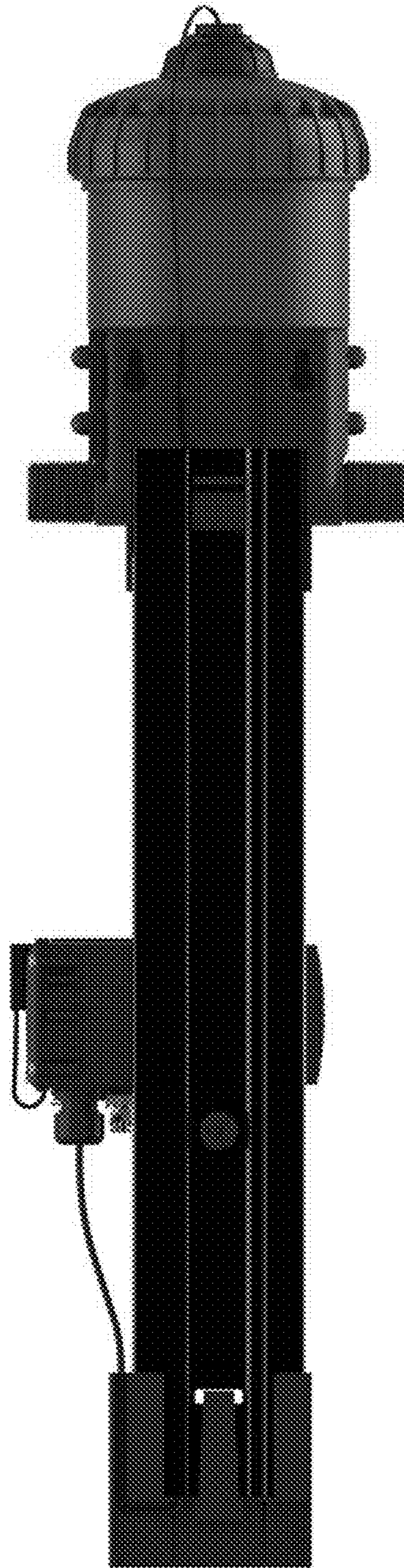


FIG. 5

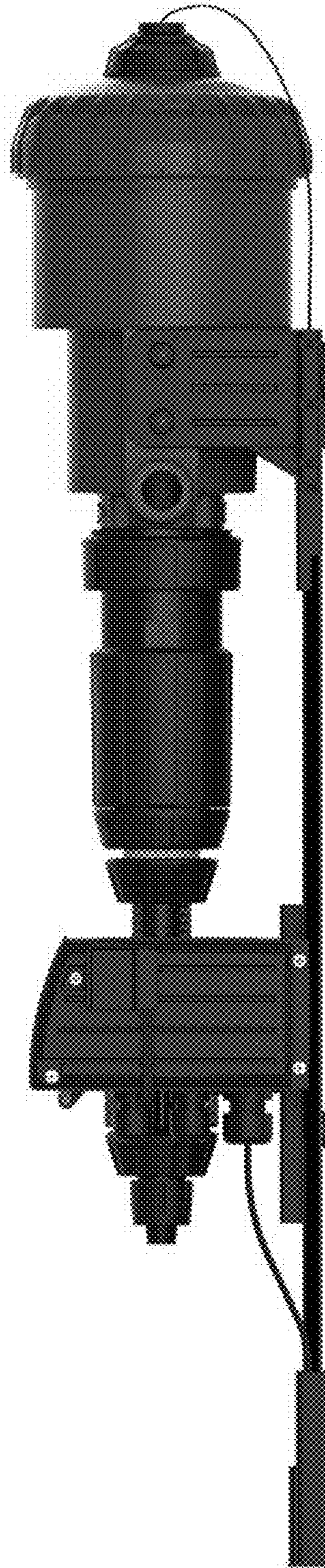


FIG. 6

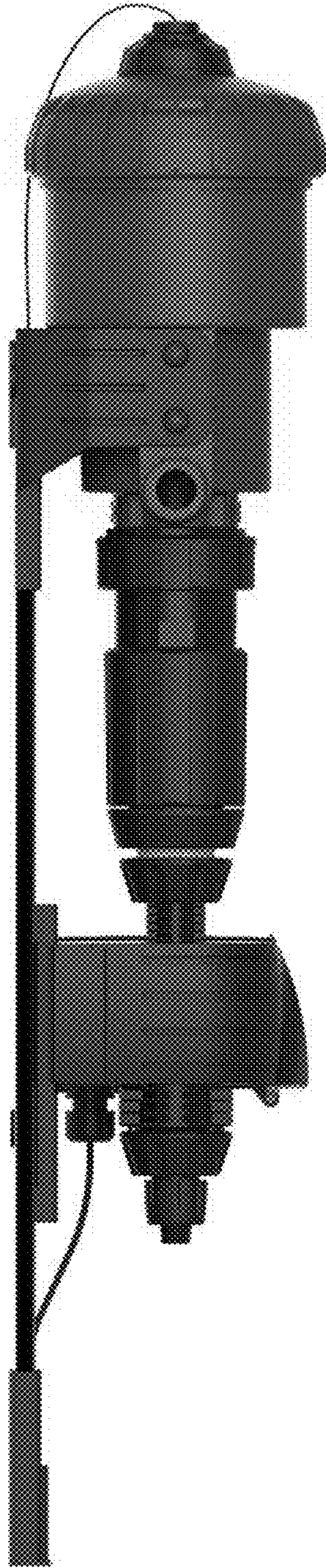


FIG. 7

