



US00D769942S

(12) **United States Design Patent** (10) **Patent No.:** **US D769,942 S**
Choi et al. (45) **Date of Patent:** **** Oct. 25, 2016**

(54) **VALVE COVER**

(71) Applicant: **Caterpillar Inc.**, Peoria, IL (US)
(72) Inventors: **Kyong Shik Choi**, Dunlap, IL (US);
Travis Petry-Johnson, Peoria, IL (US)

(73) Assignee: **Caterpillar Inc.**, Peoria, IL (US)

(**) Term: **14 Years**

(21) Appl. No.: **29/518,725**

(22) Filed: **Feb. 26, 2015**

(51) **LOC (10) Cl.** **15-01**

(52) **U.S. Cl.**
USPC **D15/5**

(58) **Field of Classification Search**
USPC D15/1-6, 10, 17, 22-26, 28; 123/635,
123/195 C, 903.38, 573, 198 E, 90.37, 572,
123/90.27; D13/184, 162, 164
CPC F02F 7/0046; F02F 7/0026; F02F 7/0021;
F02F 7/0068; F02F 7/006; F02F 2007/0097
See application file for complete search history.

(56) **References Cited**

U.S. PATENT DOCUMENTS

D252,878 S *	9/1979	Bellino	D15/5
5,669,367 A *	9/1997	Sawazaki	F02P 3/02 123/143 C
5,961,138 A *	10/1999	Roark	B62J 25/00 280/291
7,137,378 B1 *	11/2006	Jaeger	F02D 9/1035 123/198 D
D566,924 S *	4/2008	Shek	D34/11
D584,318 S	1/2009	Olsen et al.		
D627,798 S *	11/2010	Berning	D15/28
D627,800 S *	11/2010	Berning	D15/28
D627,802 S *	11/2010	Berning	D15/28
D710,398 S *	8/2014	Oeder	D15/28
D732,082 S	6/2015	Porojan et al.		
D732,083 S	6/2015	Porojan et al.		
2003/0089328 A1 *	5/2003	McGloin	F02F 7/006 123/193.5
2006/0006613 A1 *	1/2006	Seymour	F02F 7/006 277/644

OTHER PUBLICATIONS

Photographs of CAT C3₃₂ ACERT Propulsion Engine IMO II, available at least as early as Feb. 26, 2015 <http://www.cat.com/en_US/products/new/power-systems/marine-power-systems/commercial-propulsion-engines/18493993.html>.

Photographs of CAT C18 ACERT Propulsion Engine IMO II, available at least as early as Feb. 26, 2015 <http://www.cat.com/en_US/products/new/power-systems/marine-power-systems/commercial-propulsion-engines/18493417.html>.

U.S. Appl. No. 29/518,716 of Kyong Shik Choi et al. entitled "Belt Cover", filed Feb. 26, 2015. (Unpublished).

* cited by examiner

Primary Examiner — T. Chase Nelson

Assistant Examiner — Ania Aman

(74) *Attorney, Agent, or Firm* — Saidman DesignLaw Group, LLC

(57) **CLAIM**

The ornamental design for a valve cover, as shown and described.

DESCRIPTION

FIG. 1 is a top, front perspective view of a valve cover showing our new design;

FIG. 2 is a front view thereof;

FIG. 3 is a rear view thereof;

FIG. 4 is a left side view thereof;

FIG. 5 is a right side view thereof;

FIG. 6 is a top view thereof;

FIG. 7 is a bottom view thereof; and,

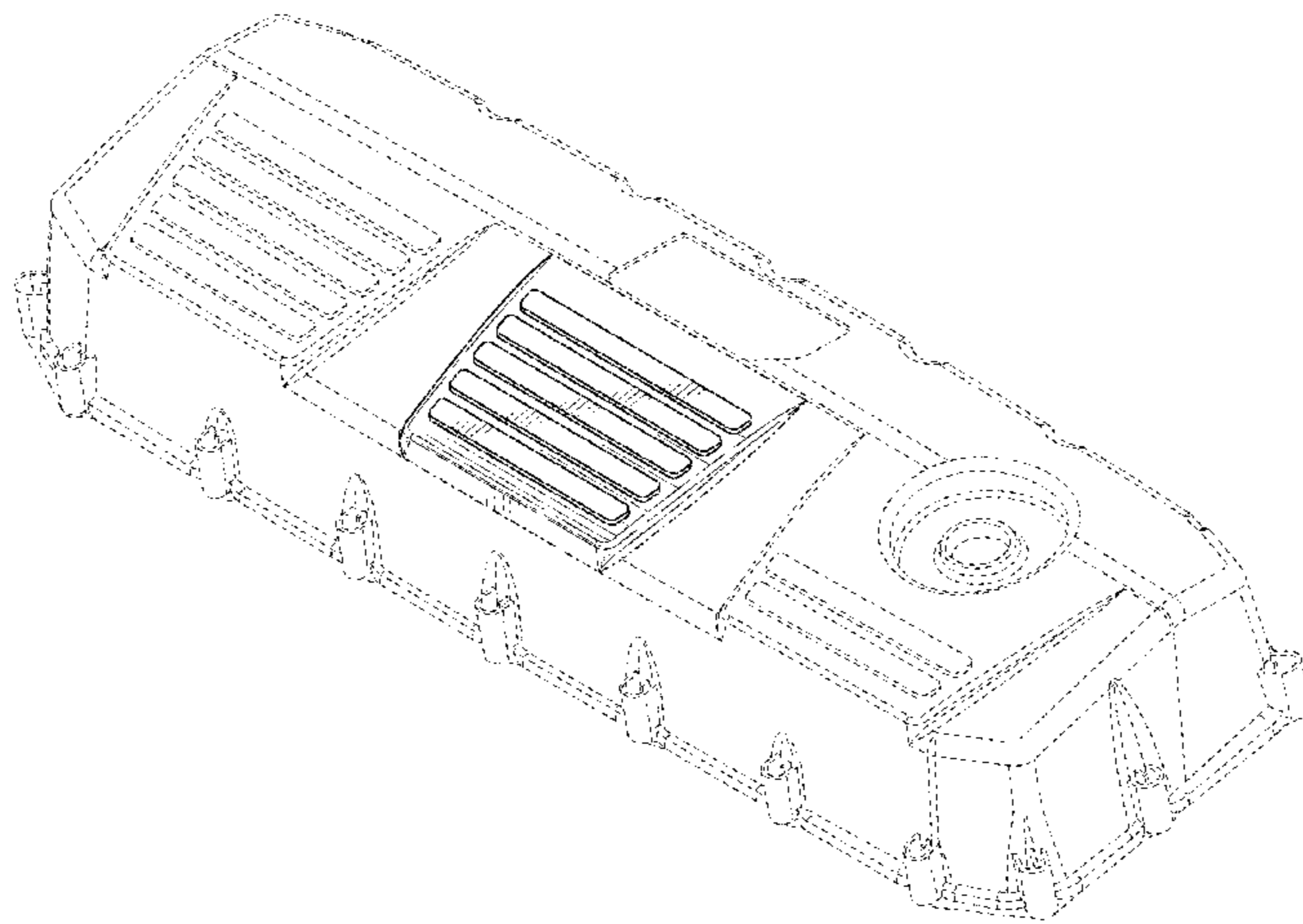
FIG. 8 is a bottom, rear perspective view thereof.

The dashed broken lines illustrate structure or features which form no part of the claimed design.

The dot-dash broken lines illustrate boundaries of the claimed design; the boundaries themselves form no part of the claimed design.

The drawings include surface shading which represents contour, not surface ornamentation.

1 Claim, 6 Drawing Sheets



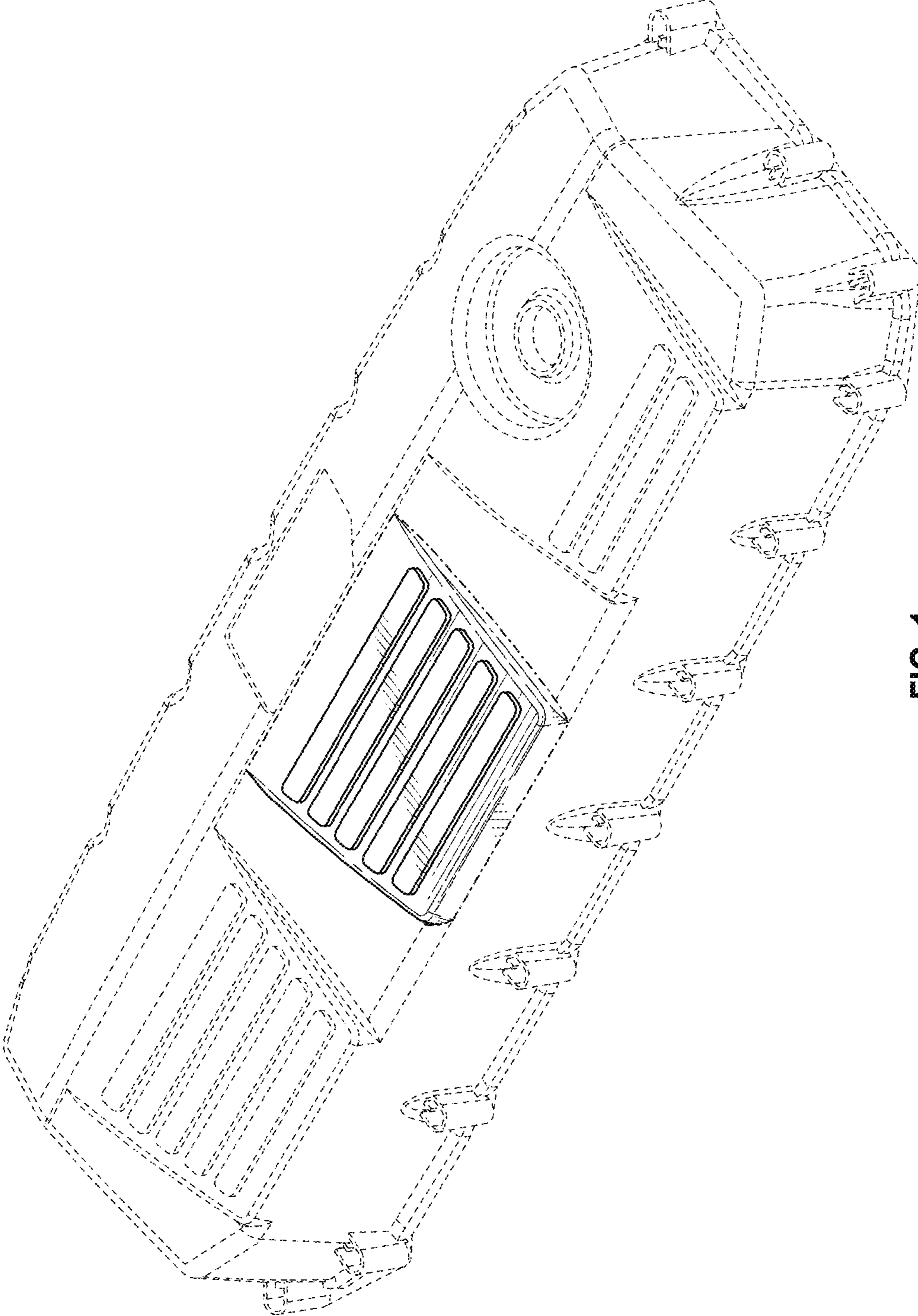


FIG. 1

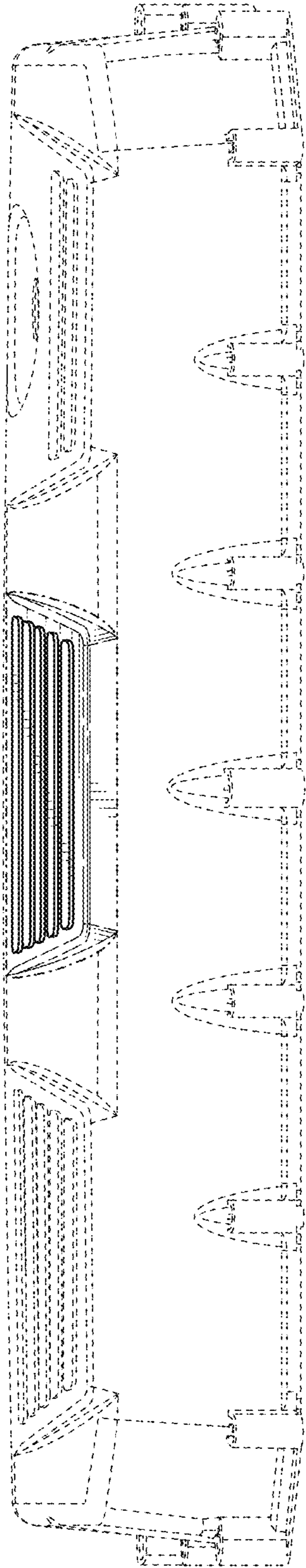


FIG. 2

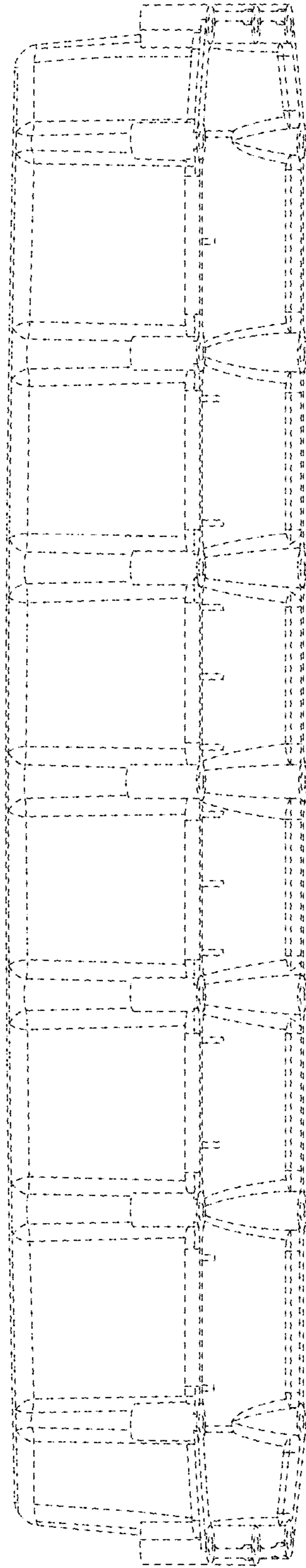


FIG. 3

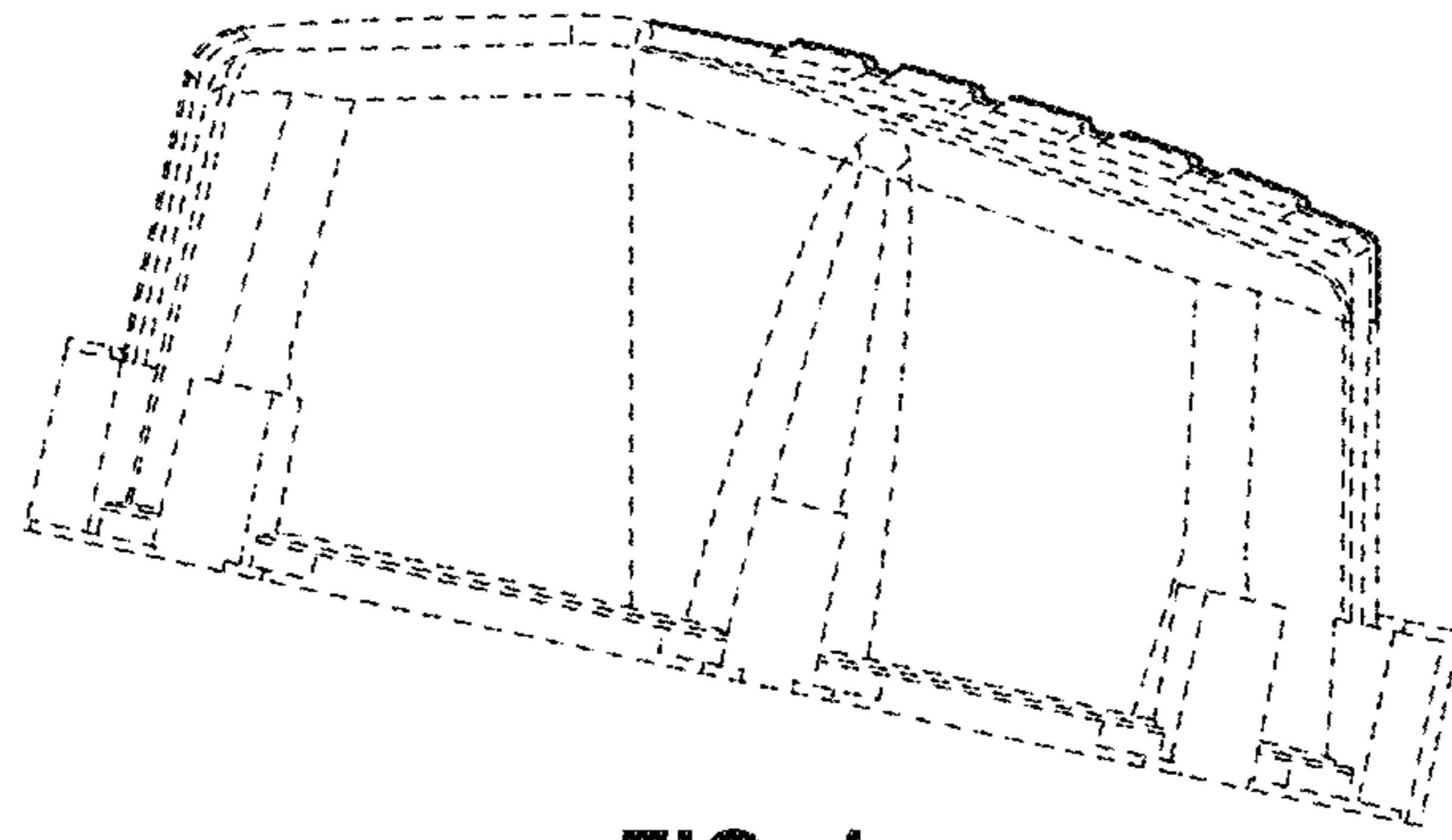


FIG. 4

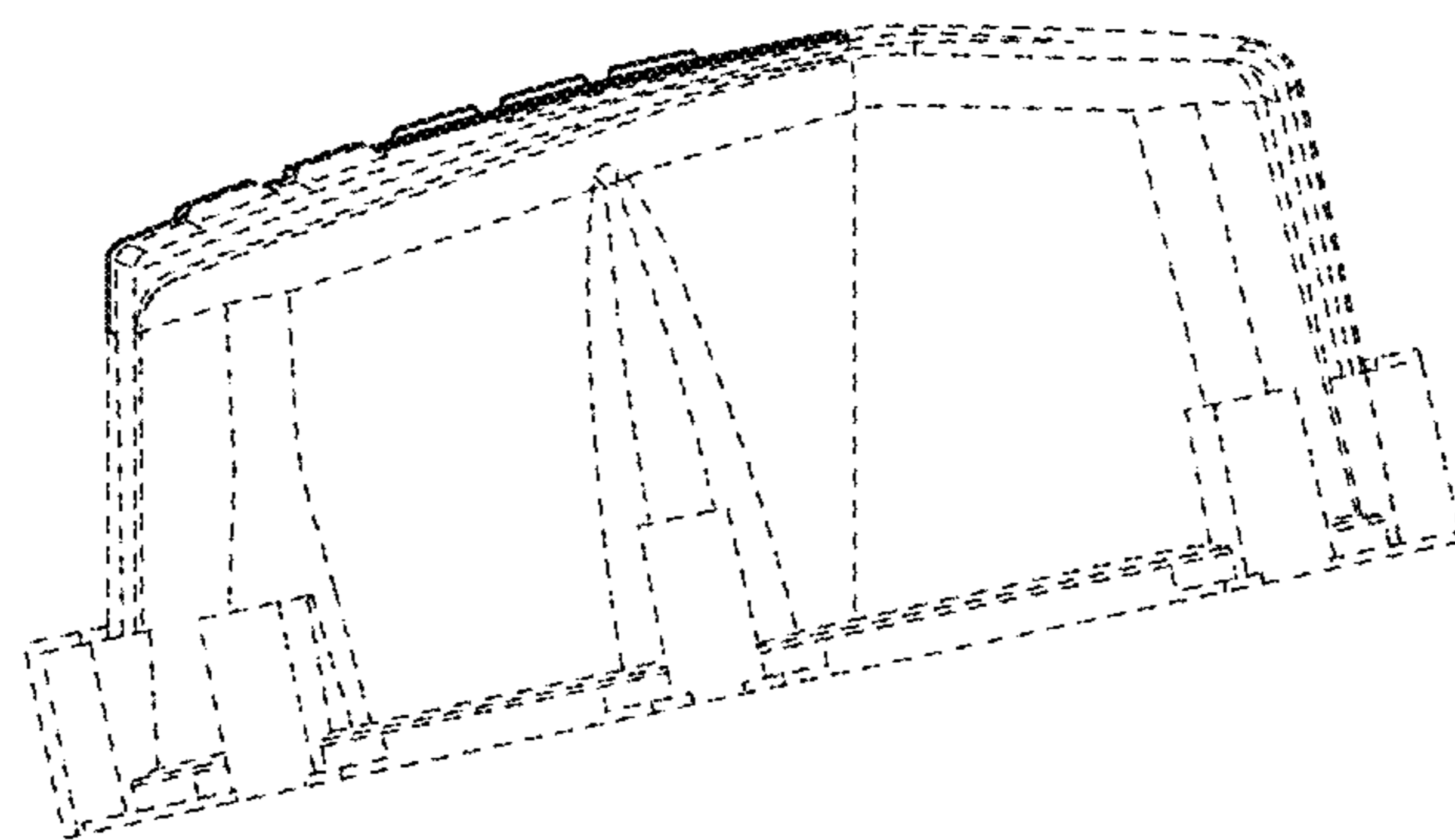


FIG. 5

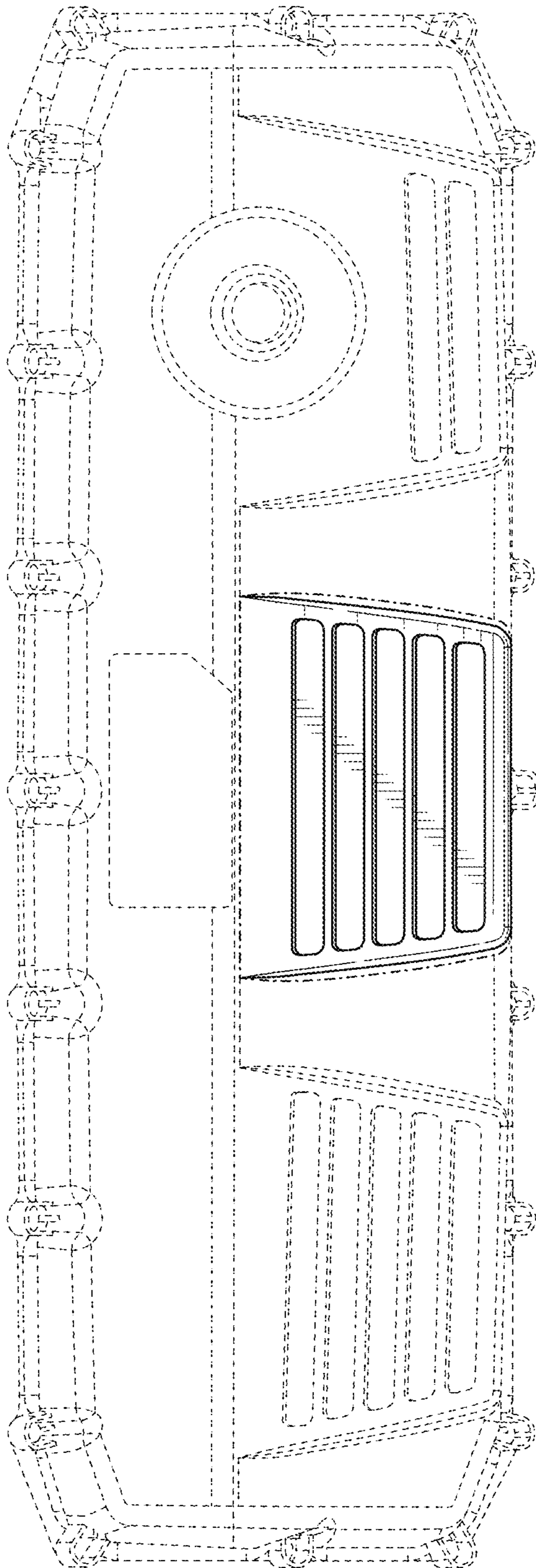


FIG. 6

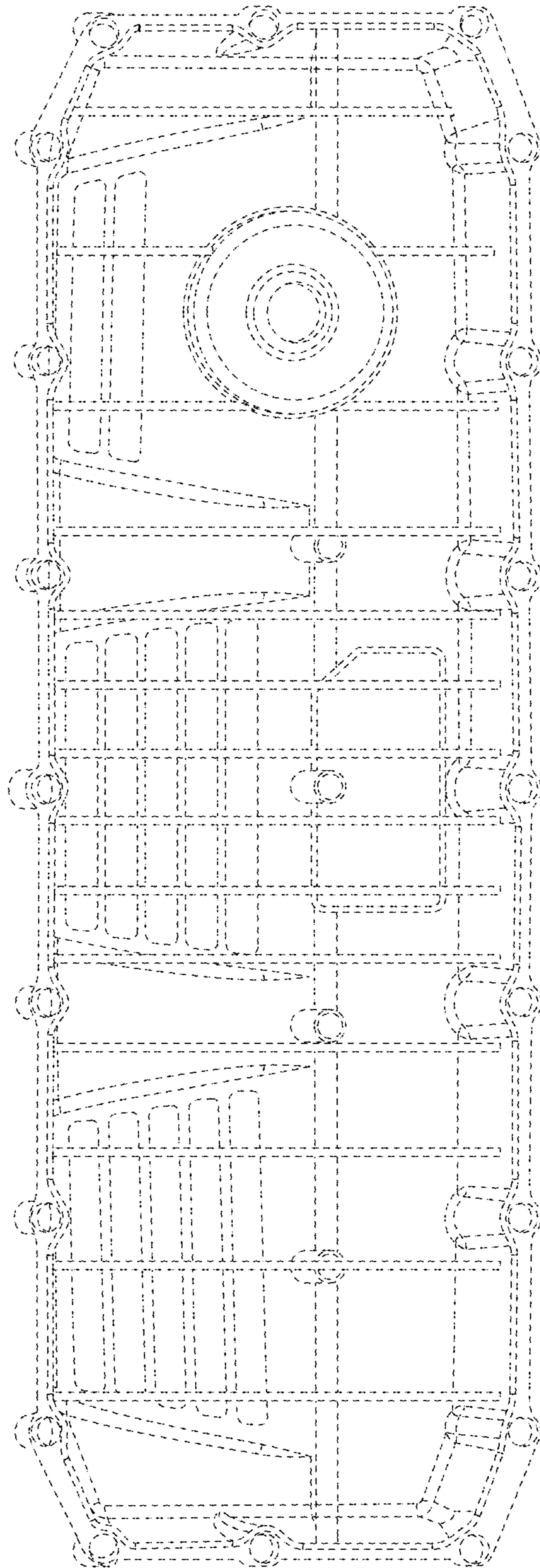


FIG. 7

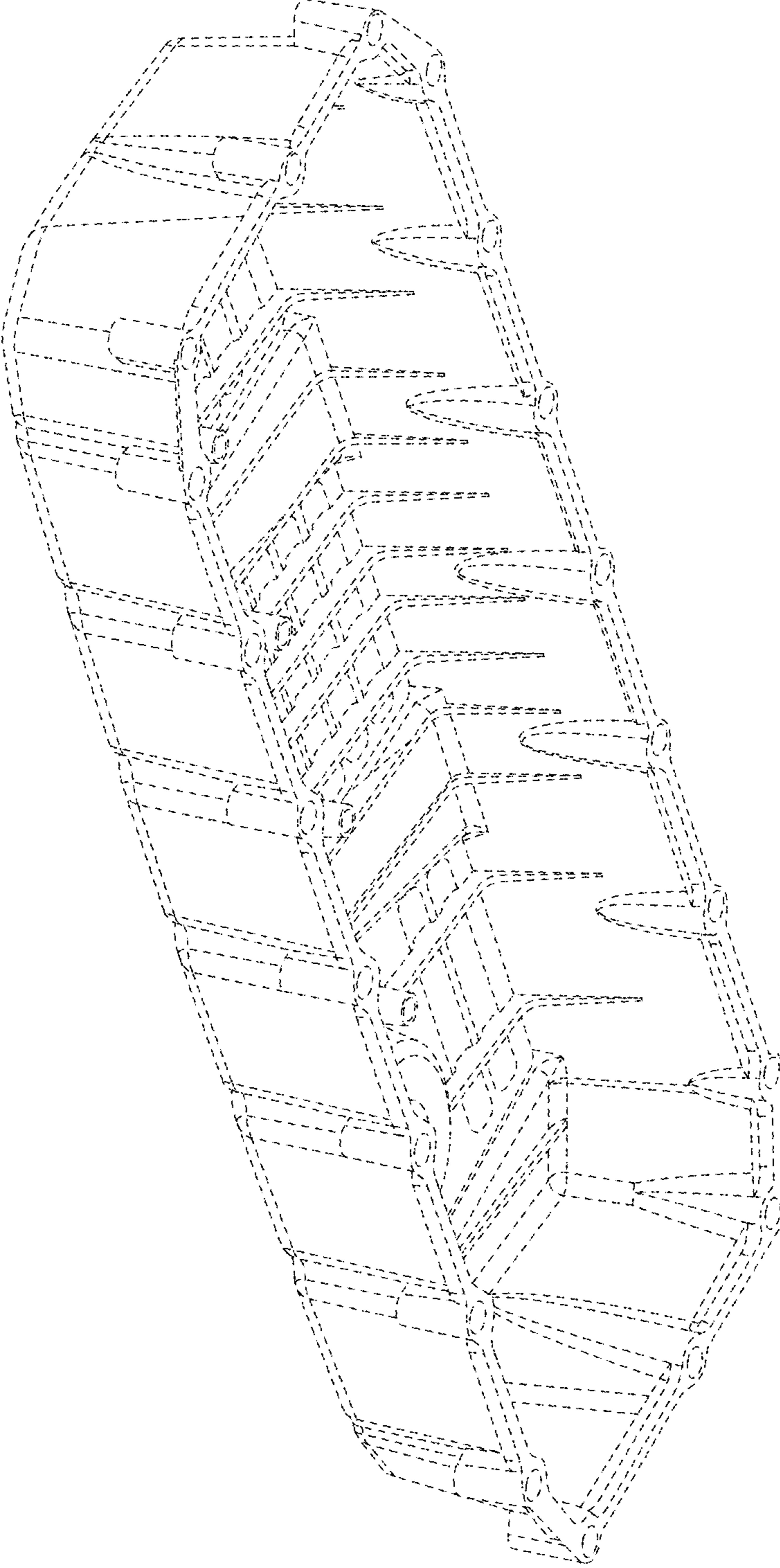


FIG. 8