

US00D769891S

(12) **United States Design Patent** (10) **Patent No.:** **US D769,891 S**
Cho (45) **Date of Patent:** **** Oct. 25, 2016**

(54) **DISPLAY PANEL OR SCREEN WITH TRANSITIONAL GRAPHICAL USER INTERFACE**

(71) Applicant: **Sony Corporation**, Tokyo (JP)

(72) Inventor: **Yunha Cho**, Tokyo (JP)

(73) Assignee: **Sony Corporation**, Tokyo (JP)

(**) Term: **14 Years**

(21) Appl. No.: **29/487,394**

(22) Filed: **Apr. 8, 2014**

(51) **LOC (10) Cl.** **14-04**

(52) **U.S. Cl.**
USPC **D14/485**

(58) **Field of Classification Search**
CPC .. G06F 3/048; G06F 3/0481; G06F 3/04817;
G06F 3/0482

See application file for complete search history.

(56) **References Cited**

U.S. PATENT DOCUMENTS

| | | | | | |
|------------|---|---------|----------|-------|---------|
| D395,291 S | * | 6/1998 | Mason | | D14/490 |
| D605,657 S | * | 12/2009 | Danton | | D14/487 |
| D656,951 S | * | 4/2012 | Weir | | D14/488 |
| D687,457 S | * | 8/2013 | Edwards | | D14/486 |
| D694,770 S | * | 12/2013 | Edwards | | D14/485 |
| D701,880 S | | 4/2014 | Asai | | |
| D704,728 S | * | 5/2014 | d'Amore | | D14/487 |
| D705,240 S | * | 5/2014 | Edwards | | D14/485 |
| D720,366 S | * | 12/2014 | Hiltunen | | D14/487 |
| D736,229 S | * | 8/2015 | Kim | | D14/486 |
| D736,807 S | * | 8/2015 | Lee | | D14/486 |
| D737,318 S | * | 8/2015 | Folken | | D14/489 |
| D740,308 S | * | 10/2015 | Kim | | D14/486 |
| D741,359 S | * | 10/2015 | Ji-Hye | | D14/488 |

* cited by examiner

Primary Examiner — Angela J Lee

(74) *Attorney, Agent, or Firm* — Michael Best and Friedrich LLP

(57) **CLAIM**

The ornamental design for a display panel or screen with transitional graphical user interface, as shown and described.

DESCRIPTION

FIG. 1 is a front view of a first embodiment of a display panel or screen with a first graphical user interface showing my new design;

FIG. 2 is a front view thereof with a second graphical user interface;

FIG. 3 is still another front view thereof with a third graphical user interface; and

FIG. 4 is still another front view thereof with a fourth graphical user interface.

FIG. 5 is a front view of a second embodiment of a display panel or screen with a first graphical user interface showing my new design;

FIG. 6 is another front view thereof with a second graphical user interface;

FIG. 7 is still another front view thereof with a third graphical user interface; and,

FIG. 8 is still another front view thereof with a fourth graphical user interface.

The appearance of the transitional image transitions sequentially between one image and another image shown in each of FIGS. 1-4 and 5-8, respectively. The process or period in which an image transitions to another forms no part of the claimed design.

The broken line showing of the display panel or screen and the element thereof illustrate the unclaimed environment of the claimed design and form no part thereof. The even-dash broken lines within a graphical user interface and even-dash broken lines of an element of the graphical user interface are for illustrative purposes only and form no part of the claimed design. The dot-dash broken lines define the boundaries of, but are not included in, the claimed design.

1 Claim, 4 Drawing Sheets

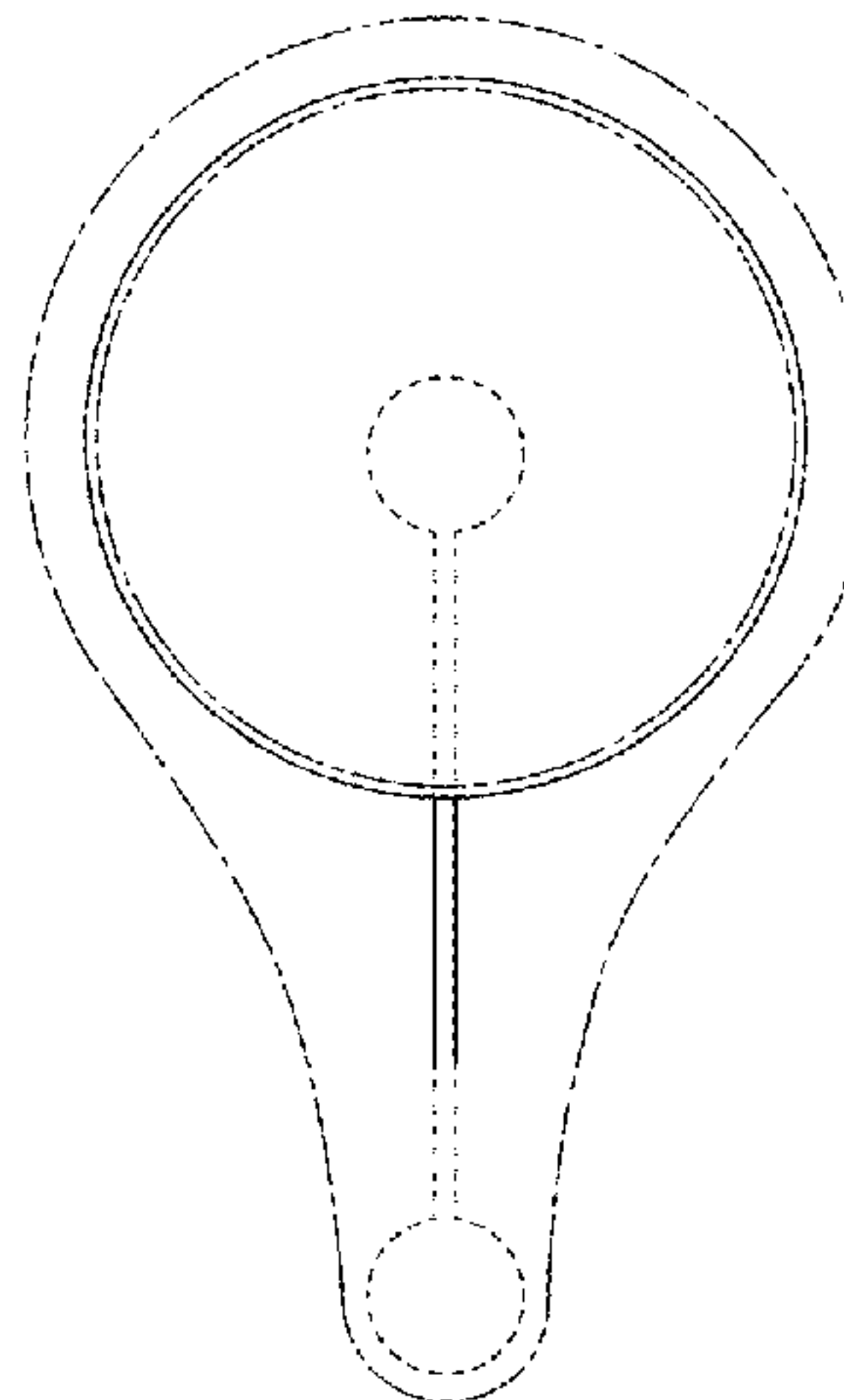
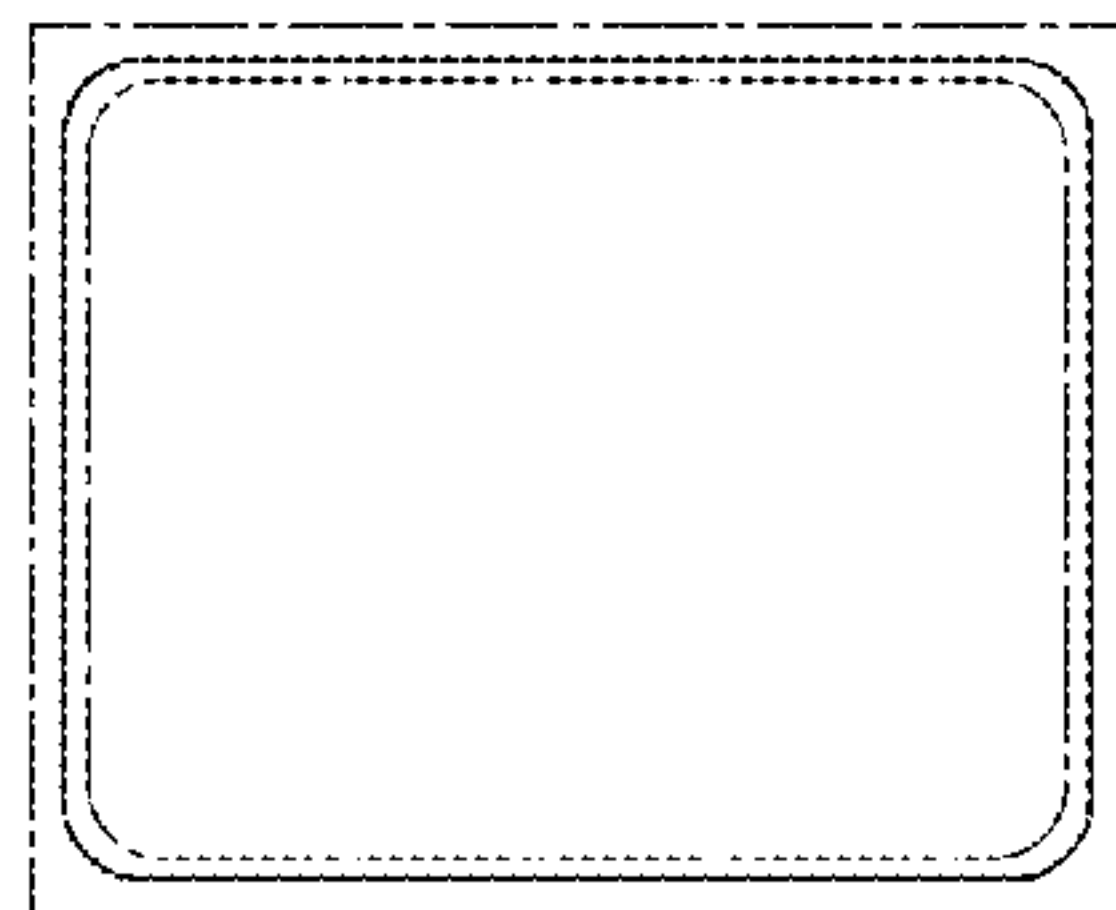


FIG.1



FIG.2

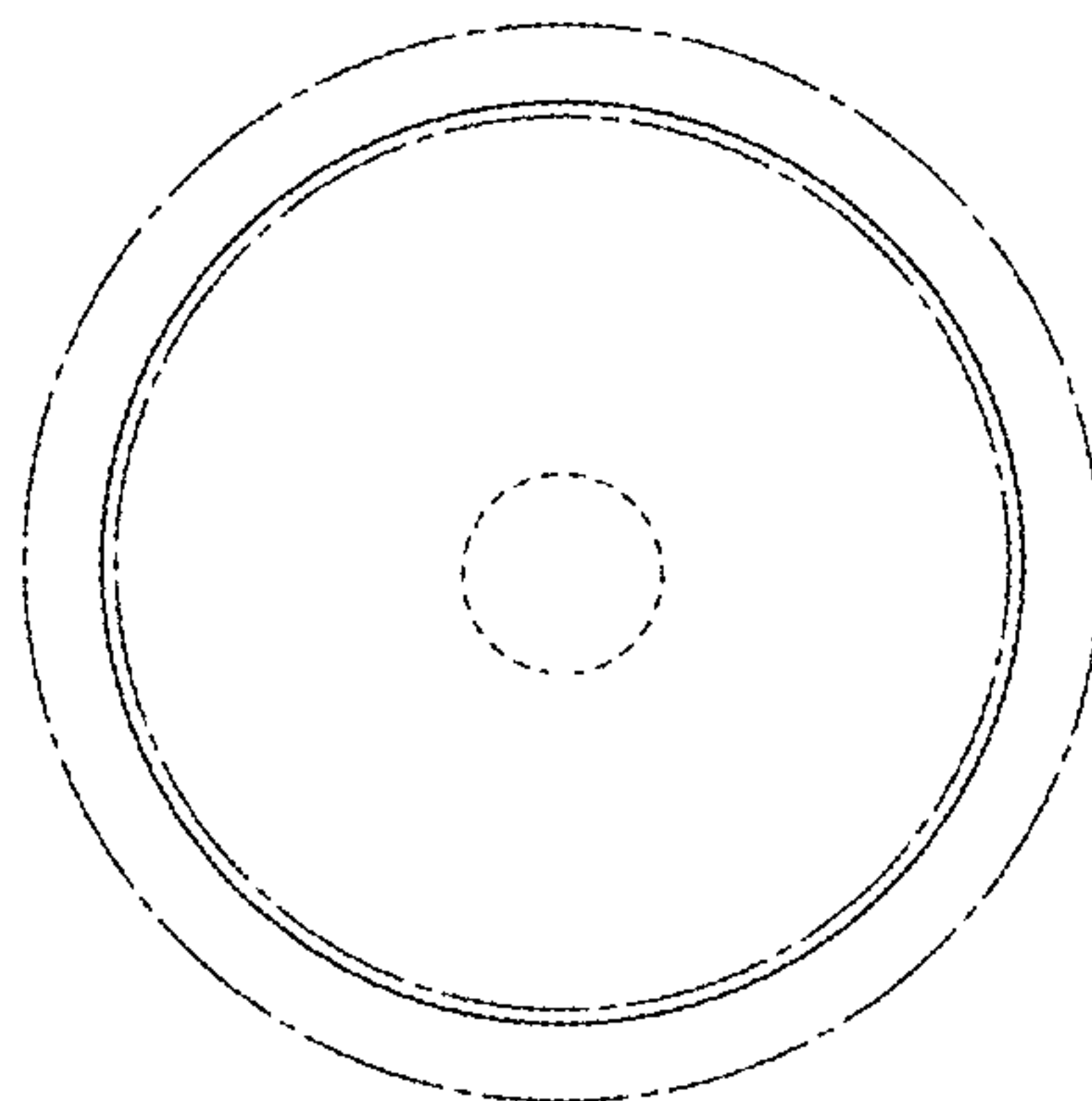


FIG.3

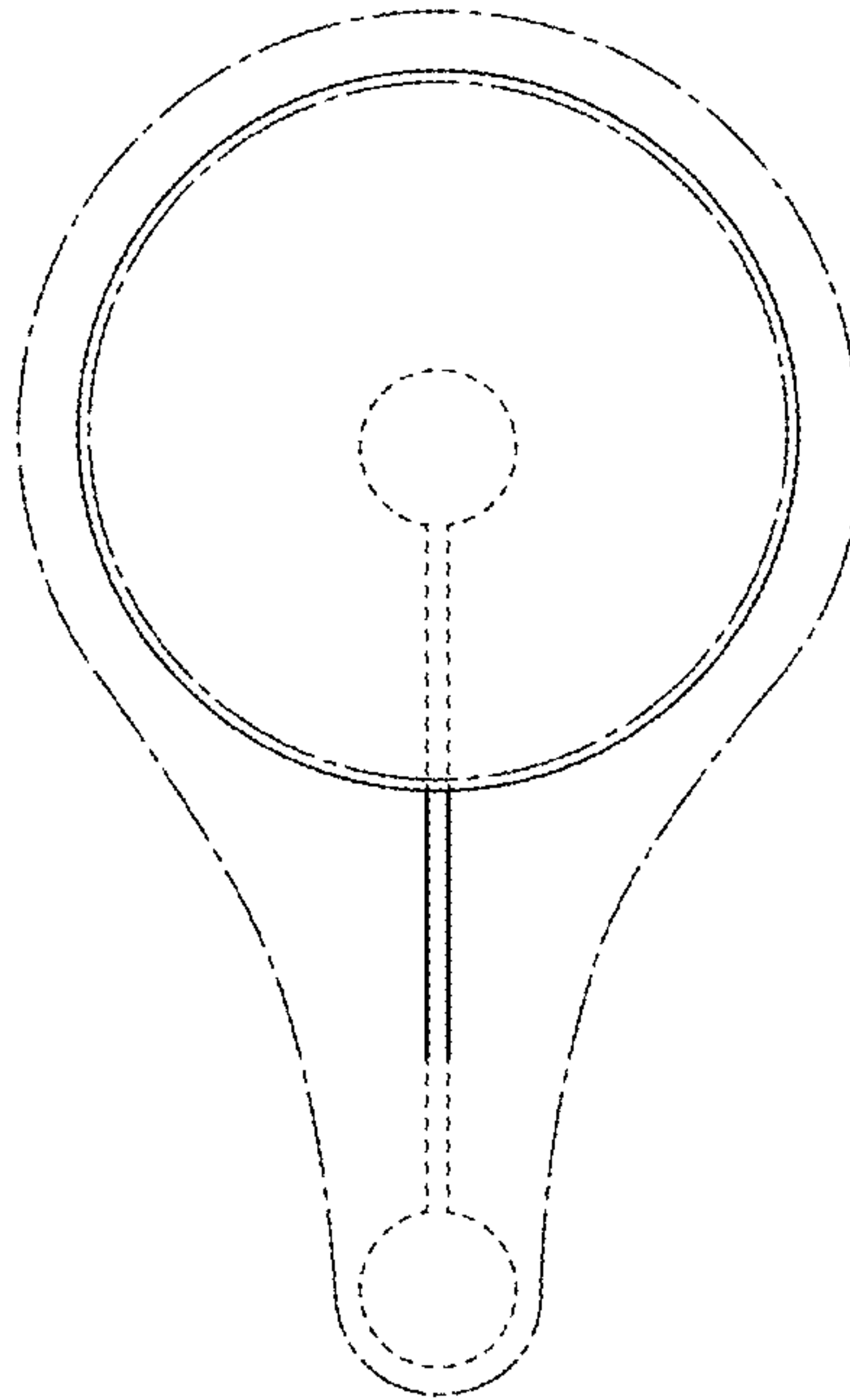


FIG.4

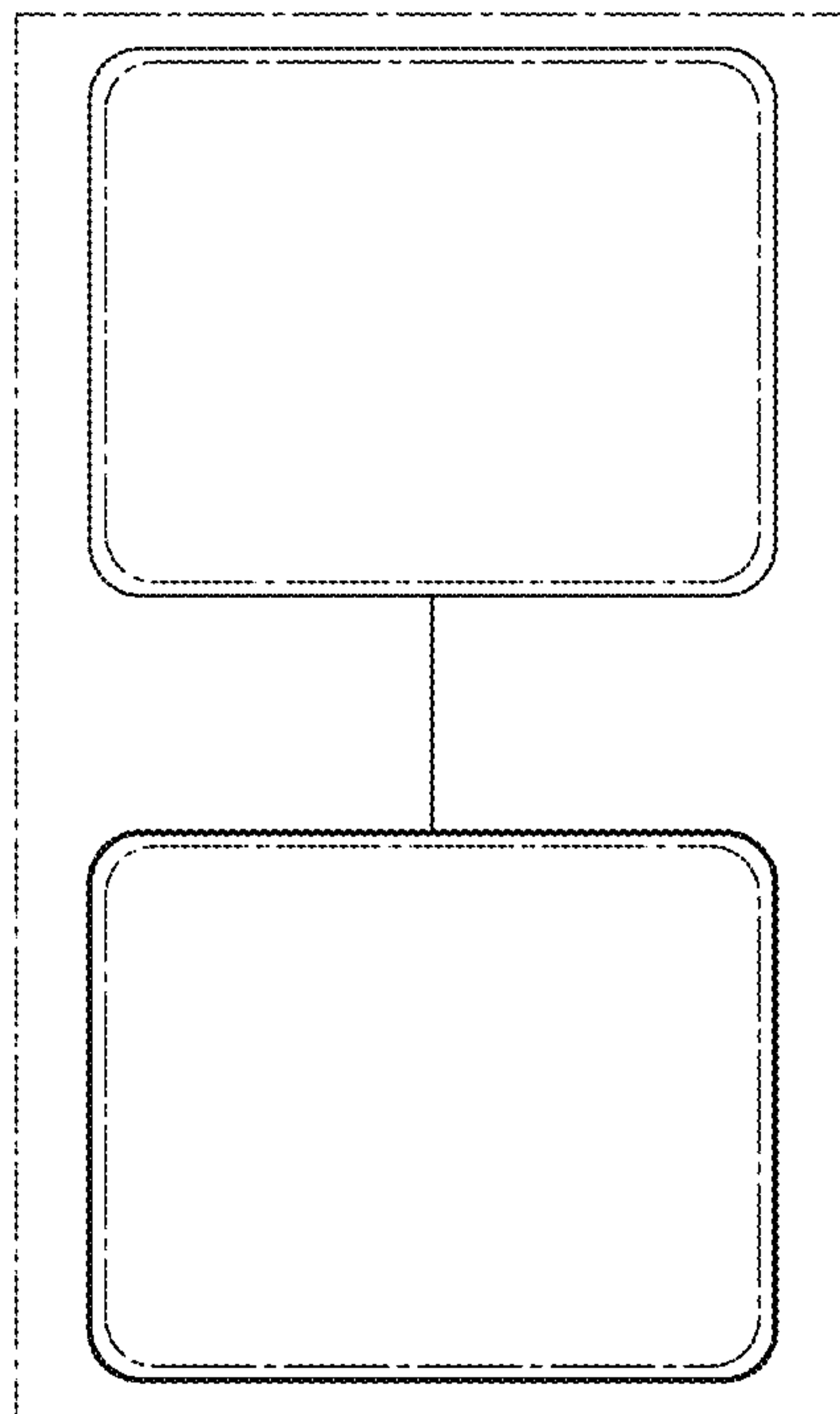


FIG.5

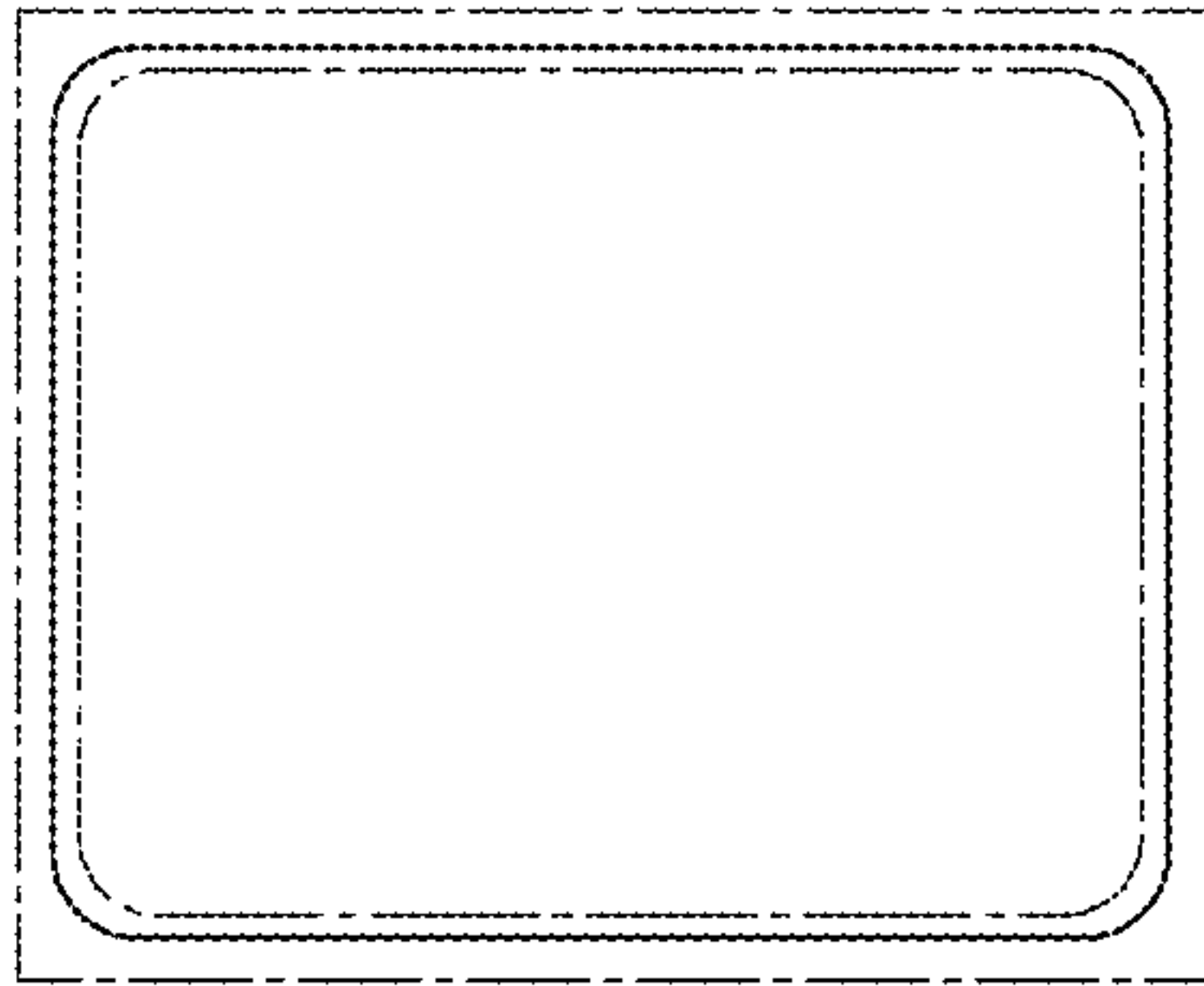


FIG.6

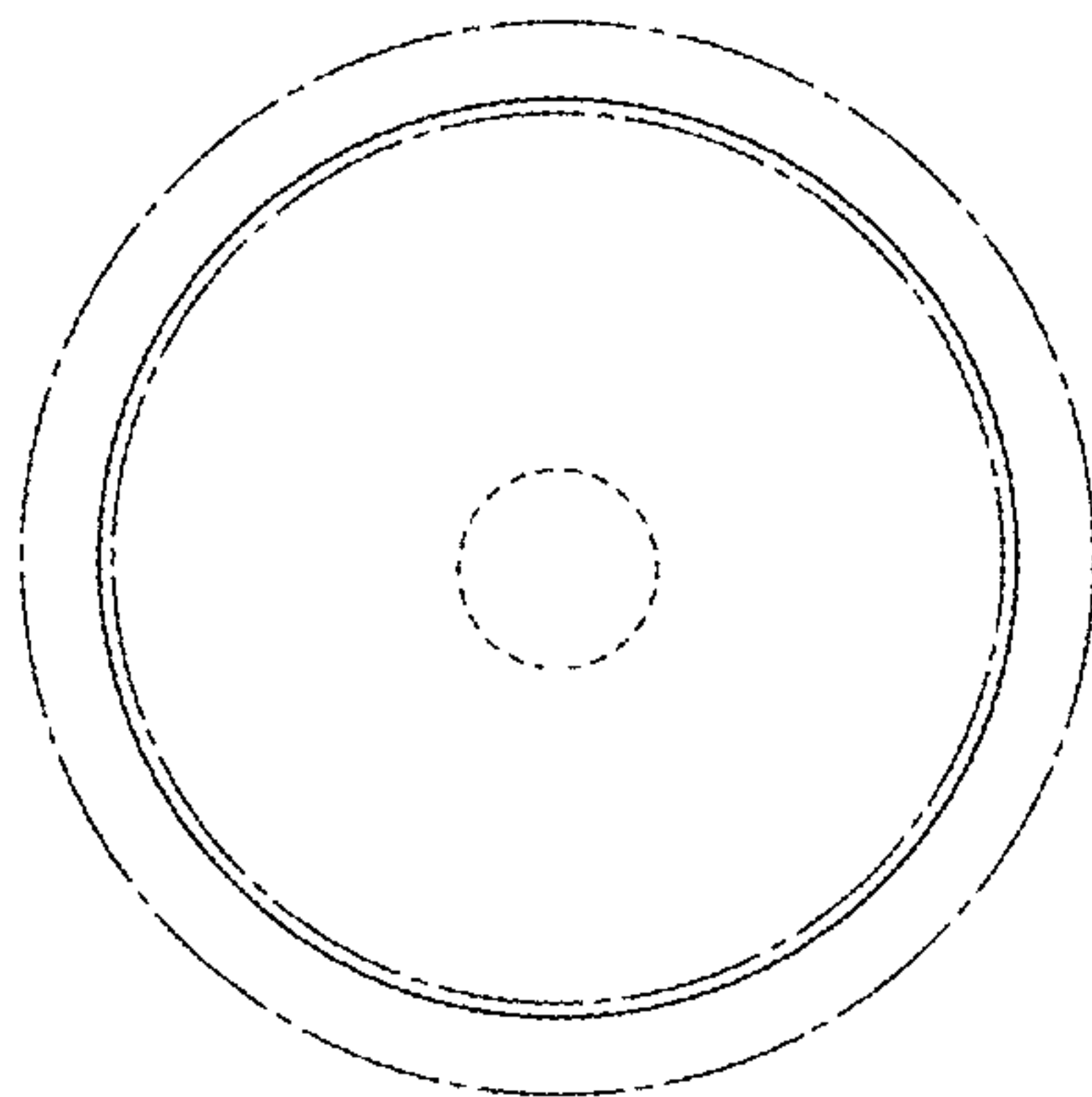


FIG.7

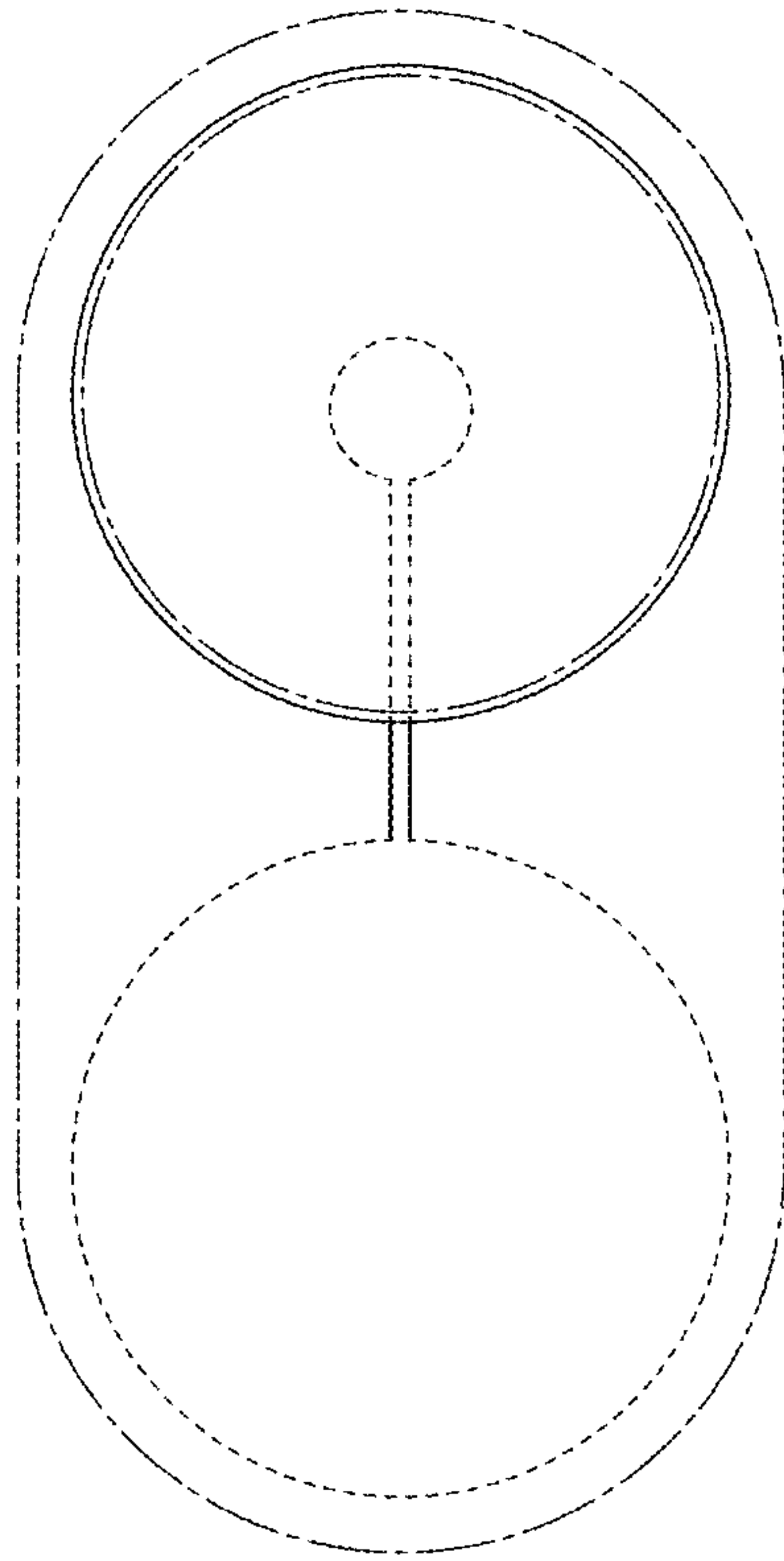


FIG.8

