



US00D769889S

(12) **United States Design Patent** (10) **Patent No.:** **US D769,889 S**
Kuhn et al. (45) **Date of Patent:** **** Oct. 25, 2016**

(54) **DISPLAY SCREEN OR PORTION THEREOF WITH AN ANIMATED GRAPHICAL USER INTERFACE**

(71) Applicant: **GOOGLE INC.**, Mountain View, CA (US)

(72) Inventors: **Stephen Kuhn**, Tarrytown, NY (US);
Angelie Zaslavsky, Weehawken, NJ (US)

(73) Assignee: **GOOGLE INC.**, Mountain View, CA (US)

(**) Term: **14 Years**

(21) Appl. No.: **29/481,320**

(22) Filed: **Feb. 4, 2014**

(51) **LOC (10) Cl.** **14-04**

(52) **U.S. Cl.**
 USPC **D14/485**

(58) **Field of Classification Search**
 USPC D14/485-495; D20/10, 11, 17, 22, 27; D12/192
 CPC .. G06F 3/048; G06F 3/0481; G06F 3/04812; G06F 3/04817; G06F 3/0482; G06F 3/0483; G06F 3/0484; G06F 3/04842; G06F 3/0485; G06F 3/04855; G06F 3/04886; G06F 15/0225; H04N 21/00; H04N 5/4403; G06Q 30/00

See application file for complete search history.

(56) **References Cited**

U.S. PATENT DOCUMENTS

D599,812 S * 9/2009 Hirsch D14/488
 D609,717 S * 2/2010 Yokouchi D14/486

(Continued)

Primary Examiner — Mary Ann Calabrese
Assistant Examiner — Jennifer L Rempfer
 (74) *Attorney, Agent, or Firm* — Johnson, Marcou & Isaacs LLC

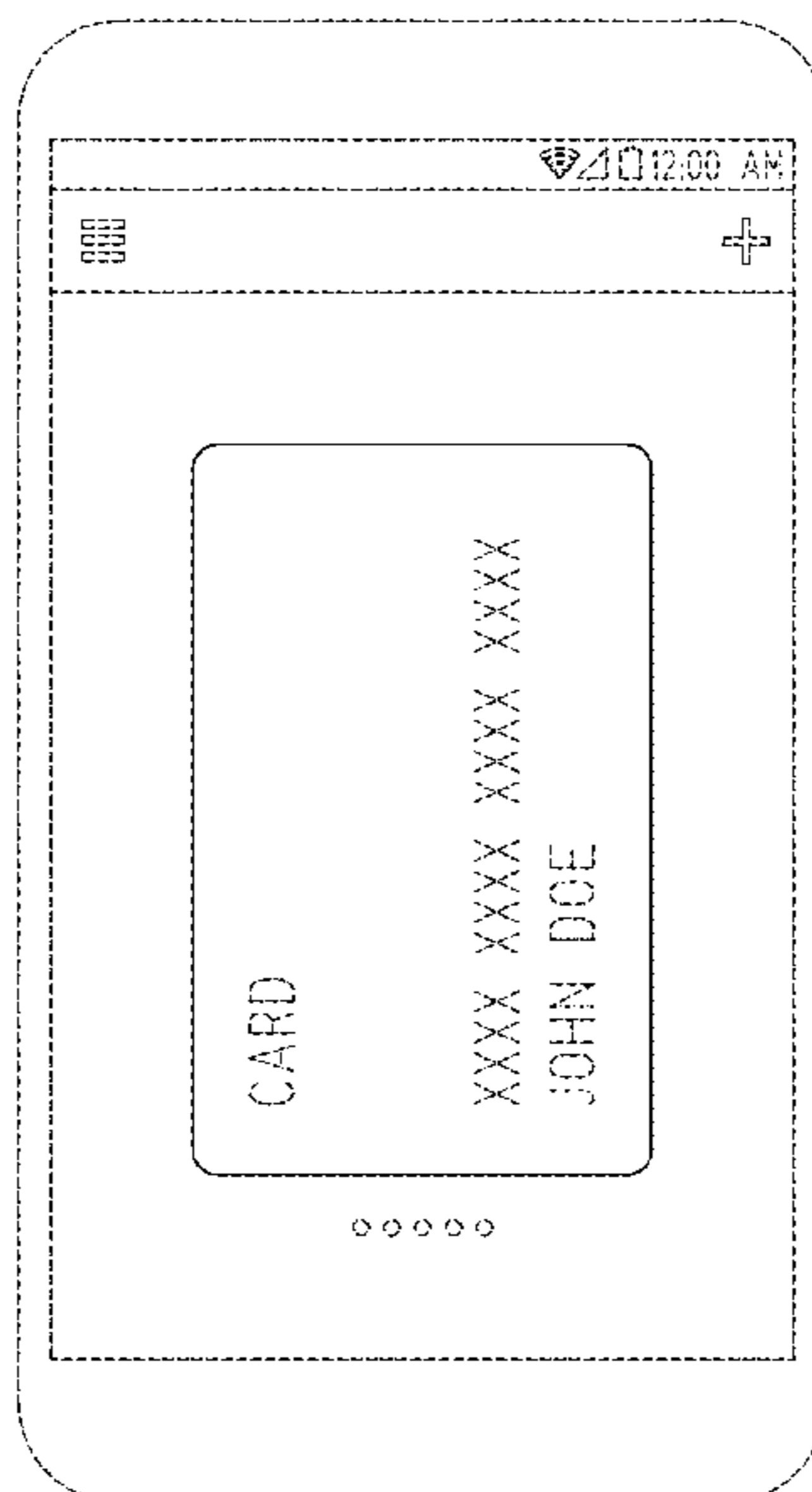
(57) **CLAIM**

The ornamental design for a display screen or portion thereof with an animated graphical user interface, as shown and described.

DESCRIPTION

FIG. 1 is a front view of a first image in a sequence for a first embodiment of a display screen or portion thereof with an animated graphical user interface;
 FIG. 2 is a front view of a second image thereof;
 FIG. 3 is a front view of a third image thereof;
 FIG. 4 is a front view of a fourth image thereof;
 FIG. 5 is a front view of a fifth image thereof;
 FIG. 6 is a front view of a sixth image thereof;
 FIG. 7 is a front view of a seventh image thereof;
 FIG. 8 is a front view of a first image in a sequence for a second embodiment of the article;
 FIG. 9 is a front view of a second image thereof;
 FIG. 10 is a front view of a third image thereof;
 FIG. 11 is a front view of a fourth image thereof;
 FIG. 12 is a front view of a fifth image thereof;
 FIG. 13 is a front view of a sixth image thereof; and,
 FIG. 14 is a front view of a seventh image thereof.
 The appearance of the animated user interface sequentially transitions between the images shown in FIGS. 1-7 and in FIGS. 8-14. The process or period in which an image transitions into another image forms no part of the claimed design. The broken line showing of the display screen or portion thereof and graphical elements within the display screen illustrates unclaimed environment and forms no part of the claimed design.

1 Claim, 14 Drawing Sheets



(56)

References Cited

U.S. PATENT DOCUMENTS

D628,582 S * 12/2010 Kurozumi D14/486
D640,284 S * 6/2011 Woo D14/487
D651,608 S * 1/2012 Allen D14/485
D651,609 S * 1/2012 Pearson D14/486

D681,044 S * 4/2013 Sakata D14/485
D689,510 S * 9/2013 Rodrigues D14/486
D701,528 S * 3/2014 Brinda D14/488
D721,721 S * 1/2015 Seung-Hyuck D14/486
D730,383 S * 5/2015 Brinda D14/488
D737,848 S * 9/2015 Brinda D14/488
D738,906 S * 9/2015 Frijlink D14/488

* cited by examiner

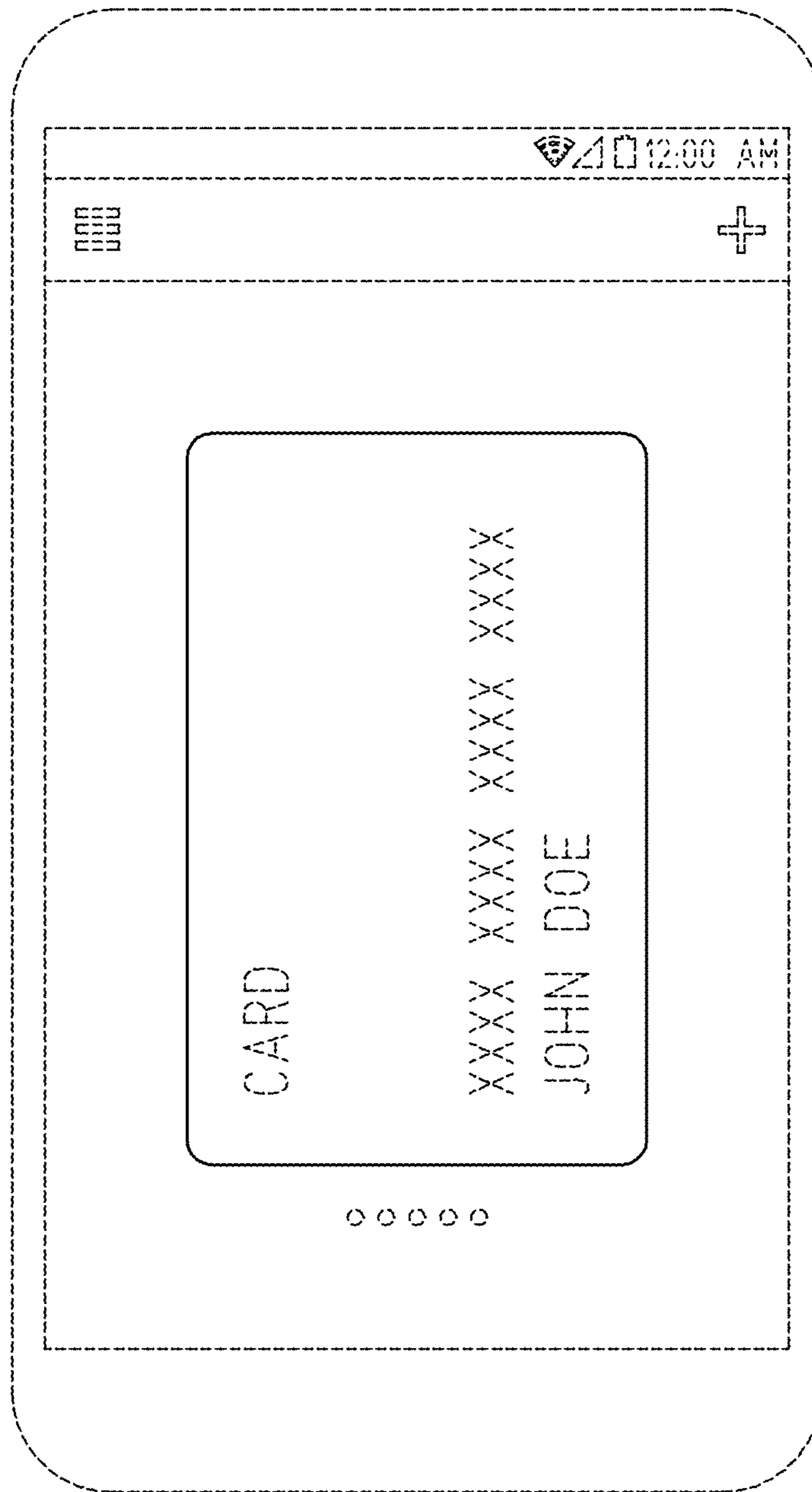


FIG. 1

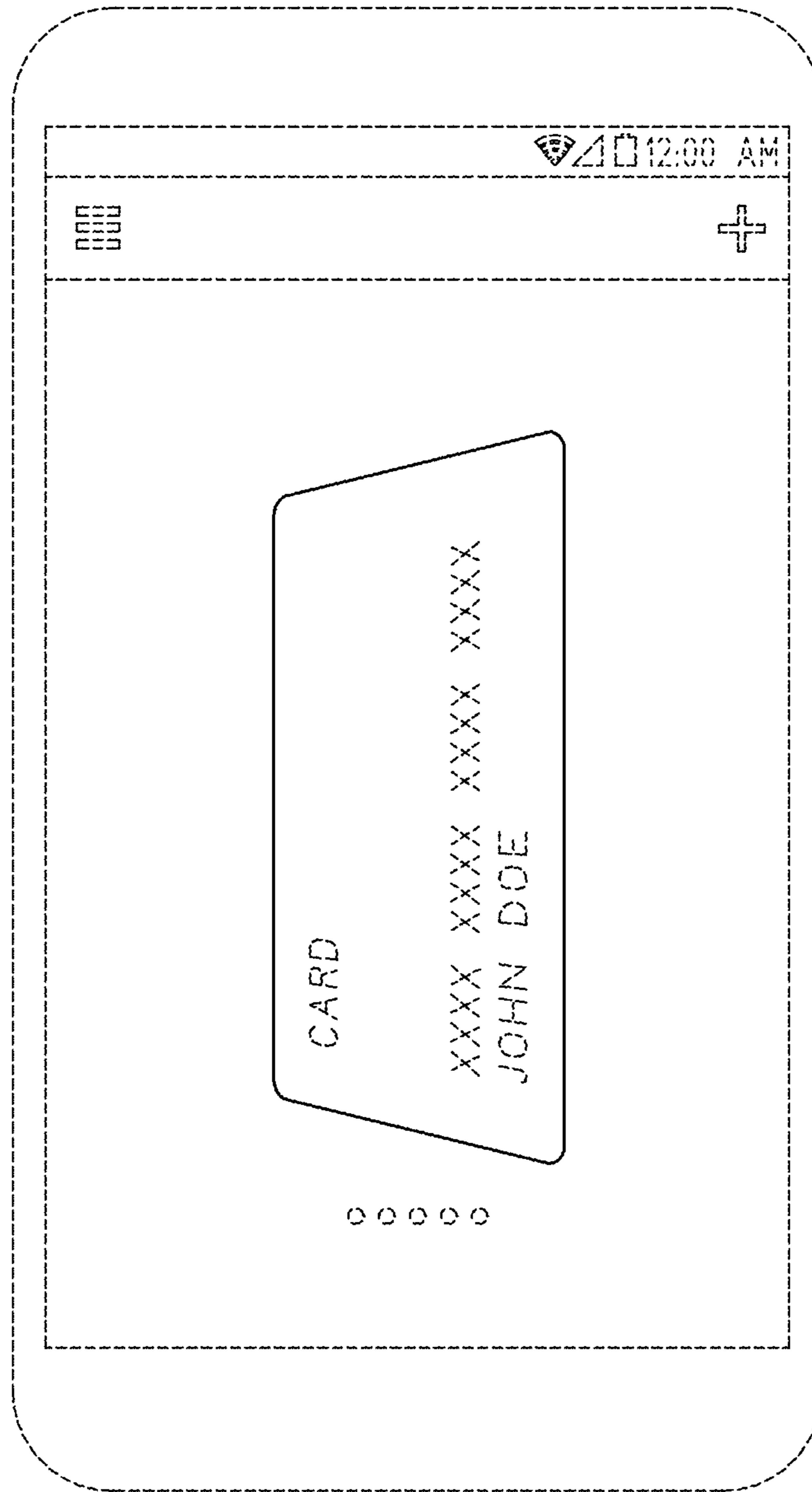


FIG. 2

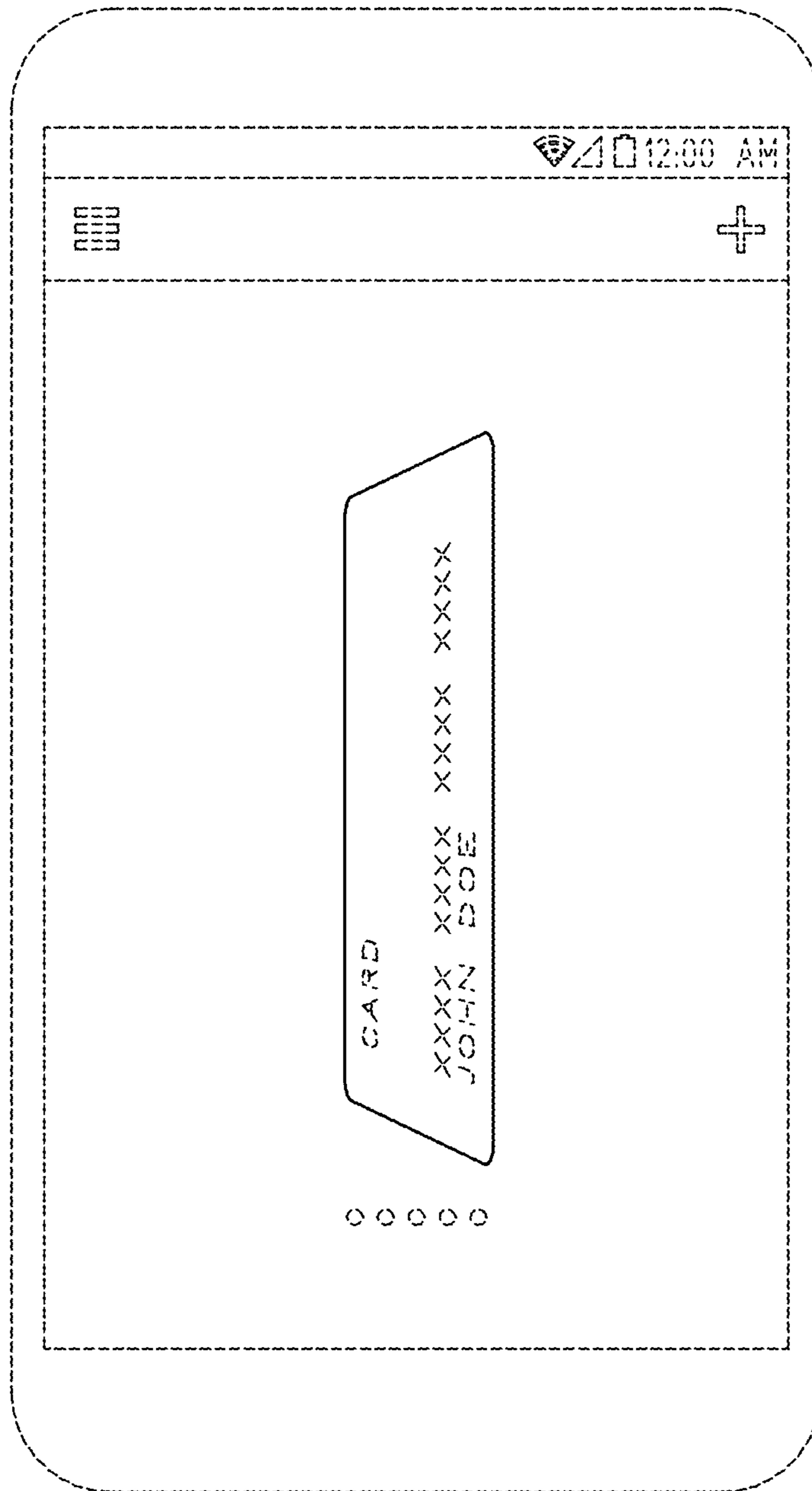


FIG. 3

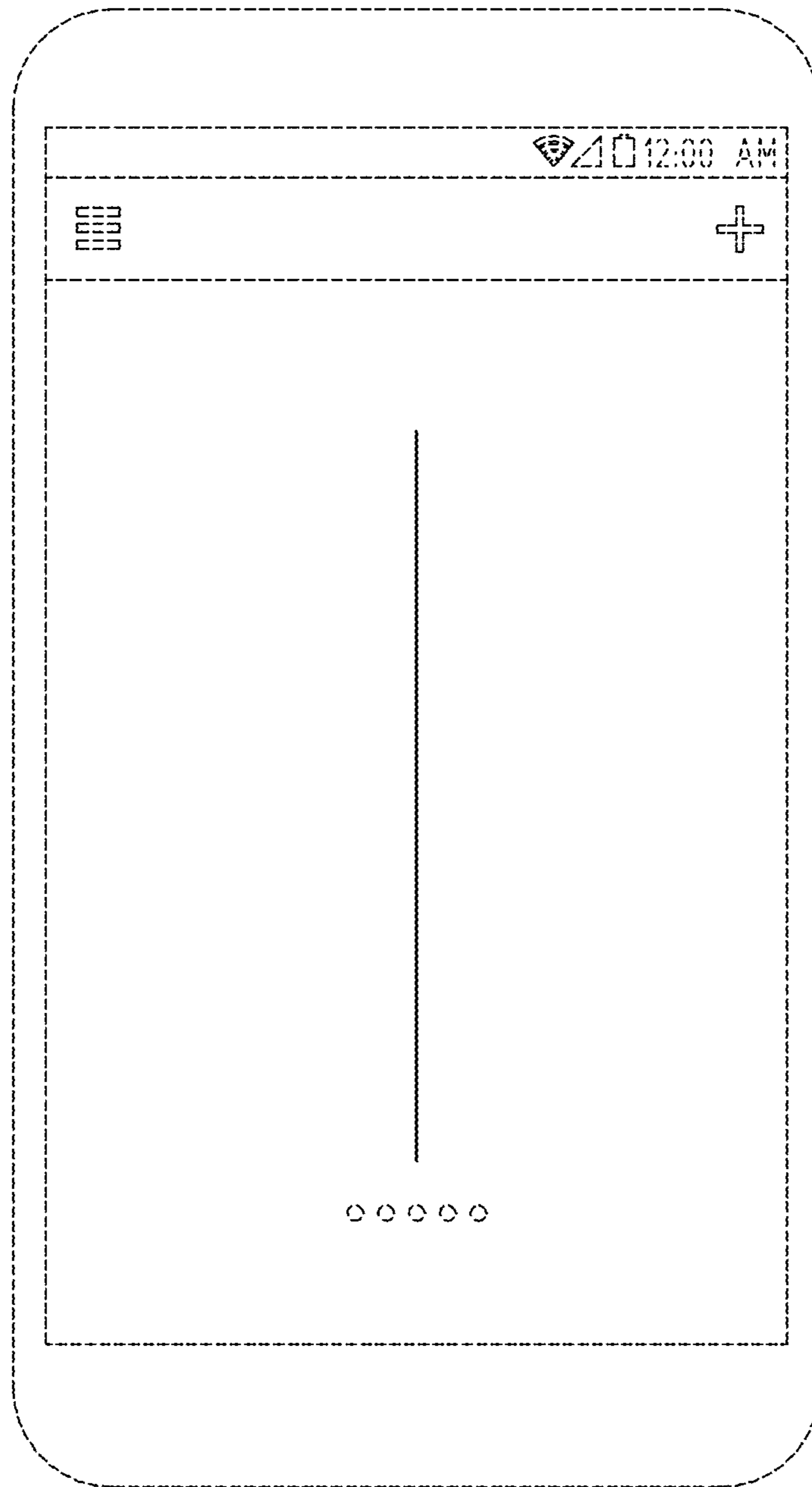


FIG. 4

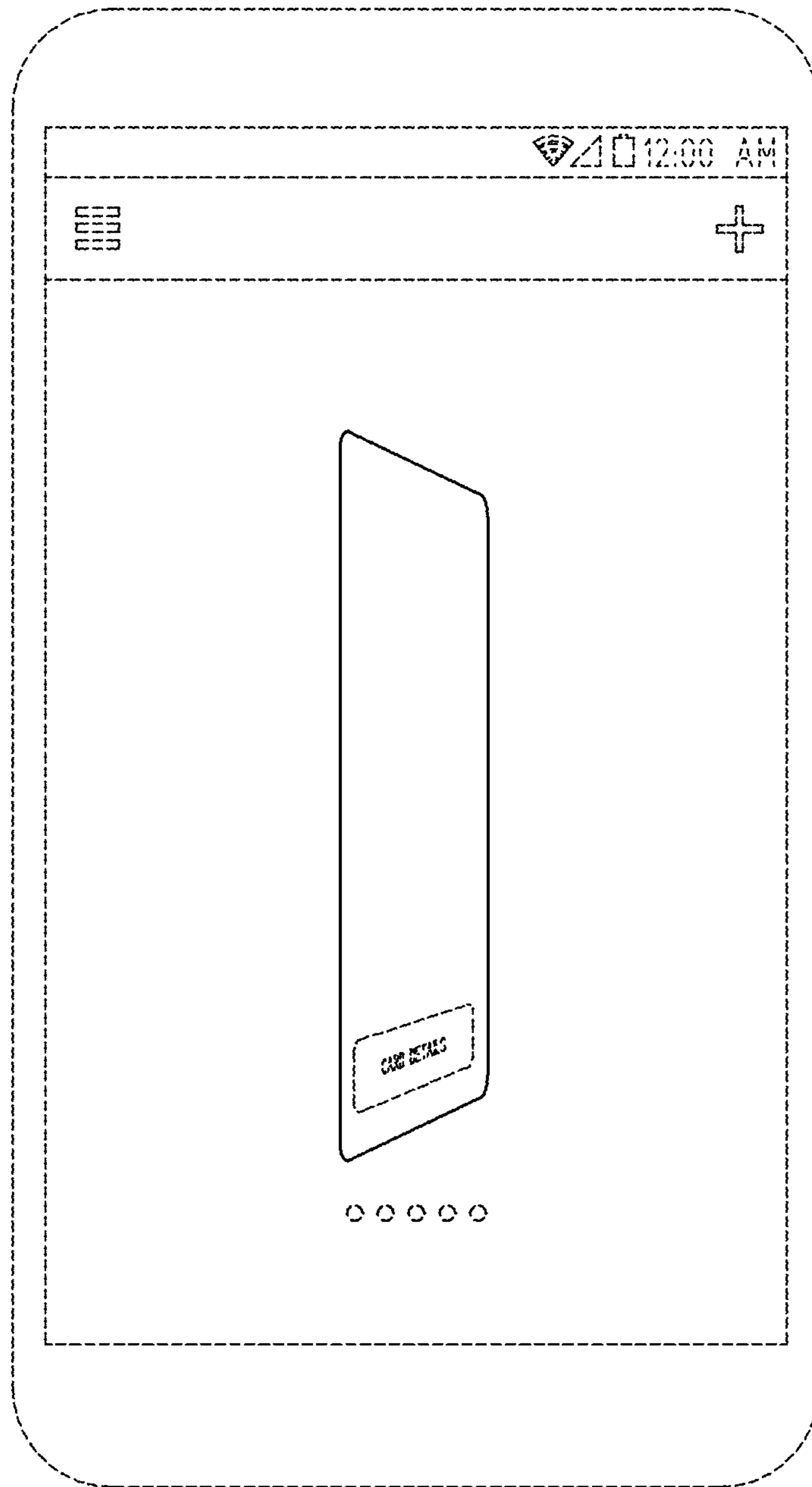


FIG. 5

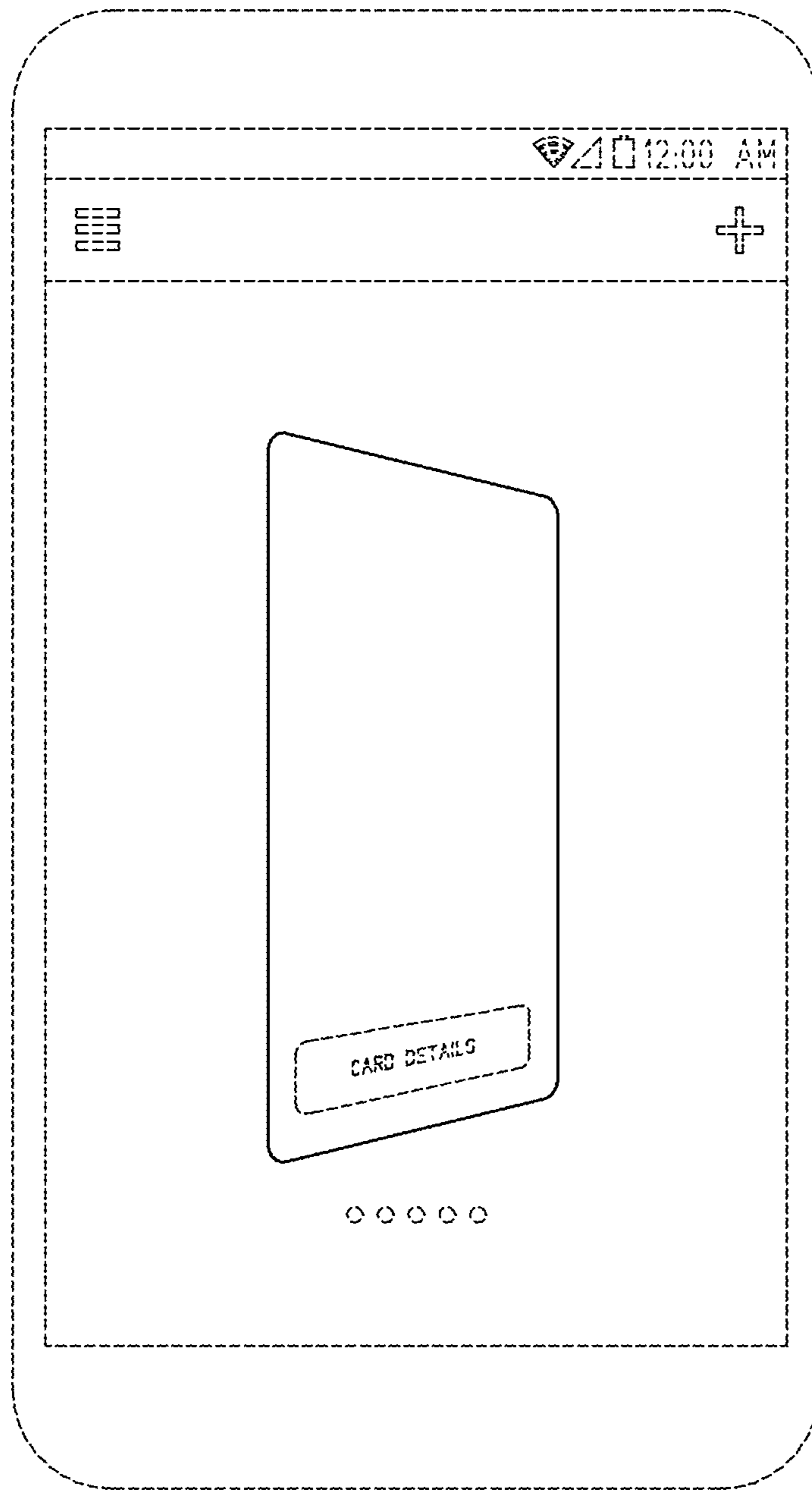


FIG. 6

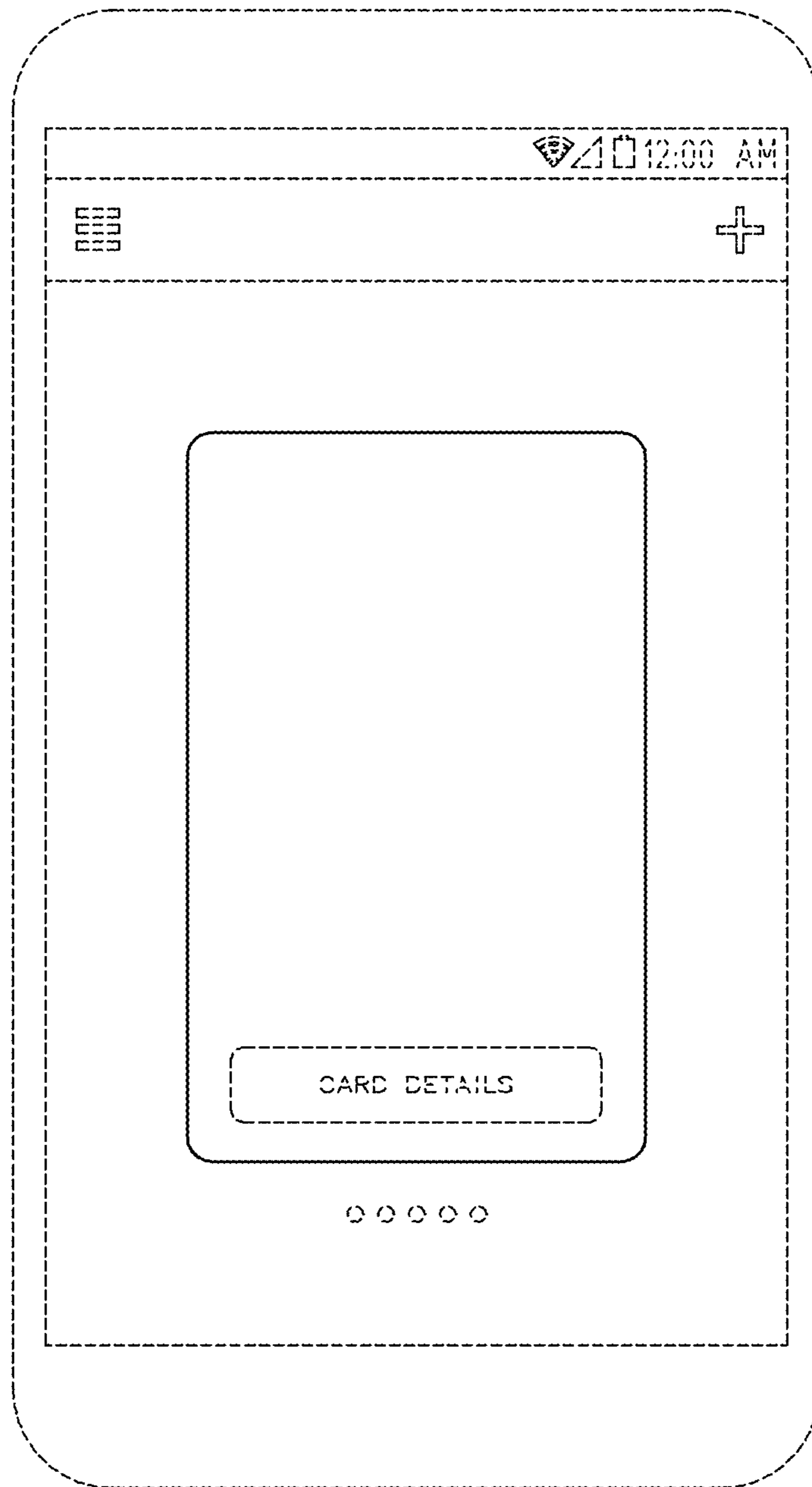


FIG. 7

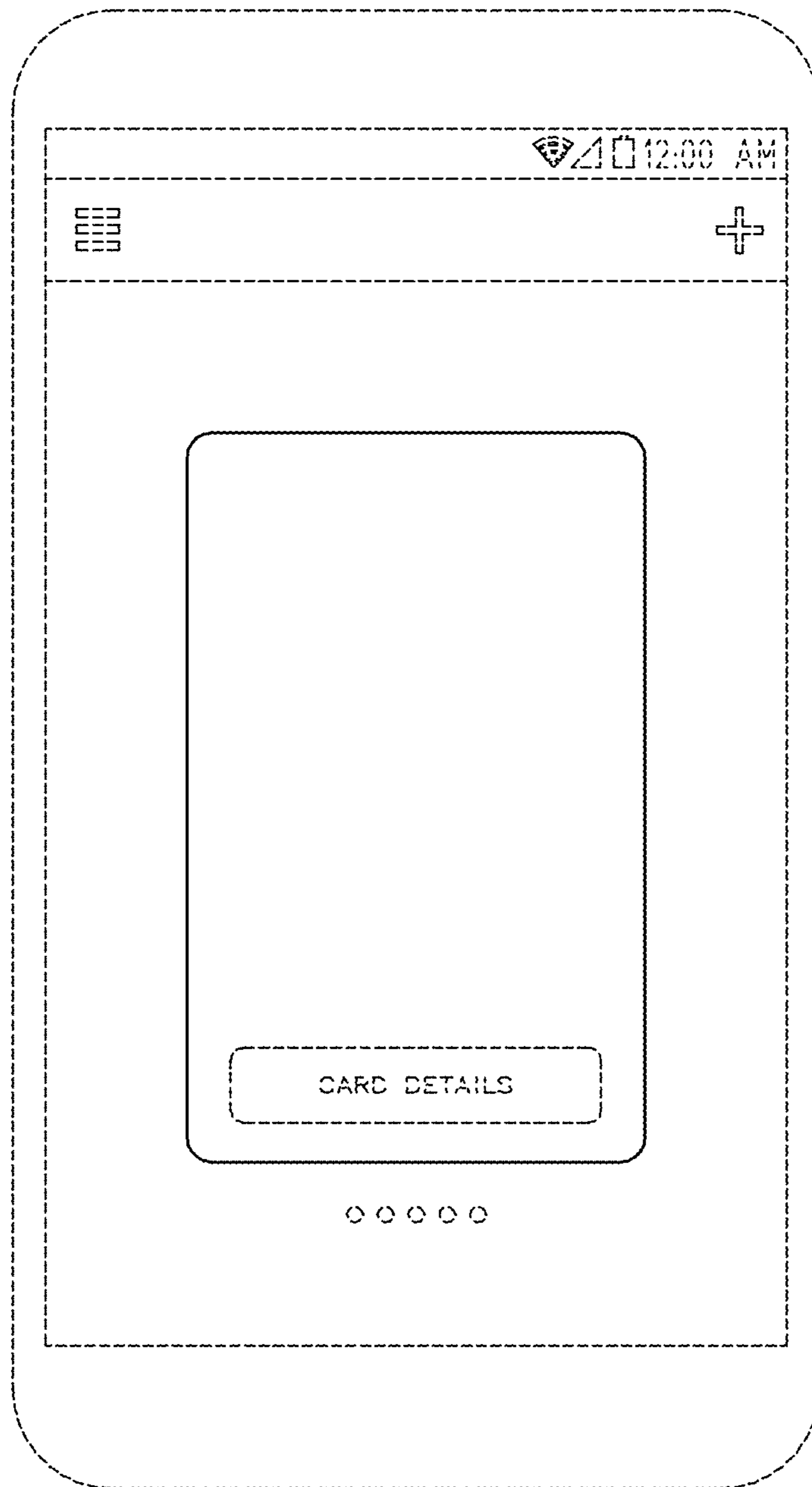


FIG. 8

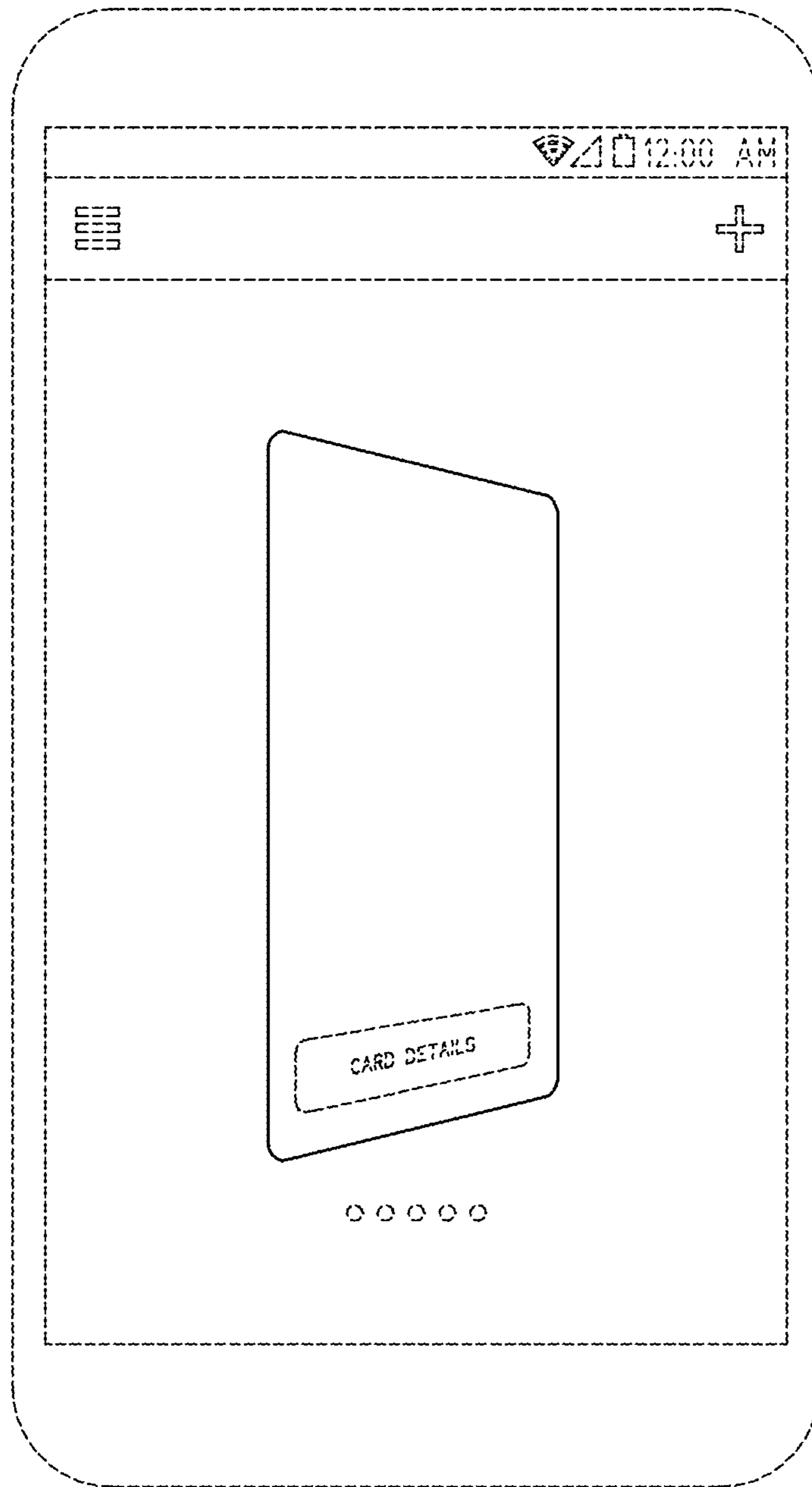


FIG. 9

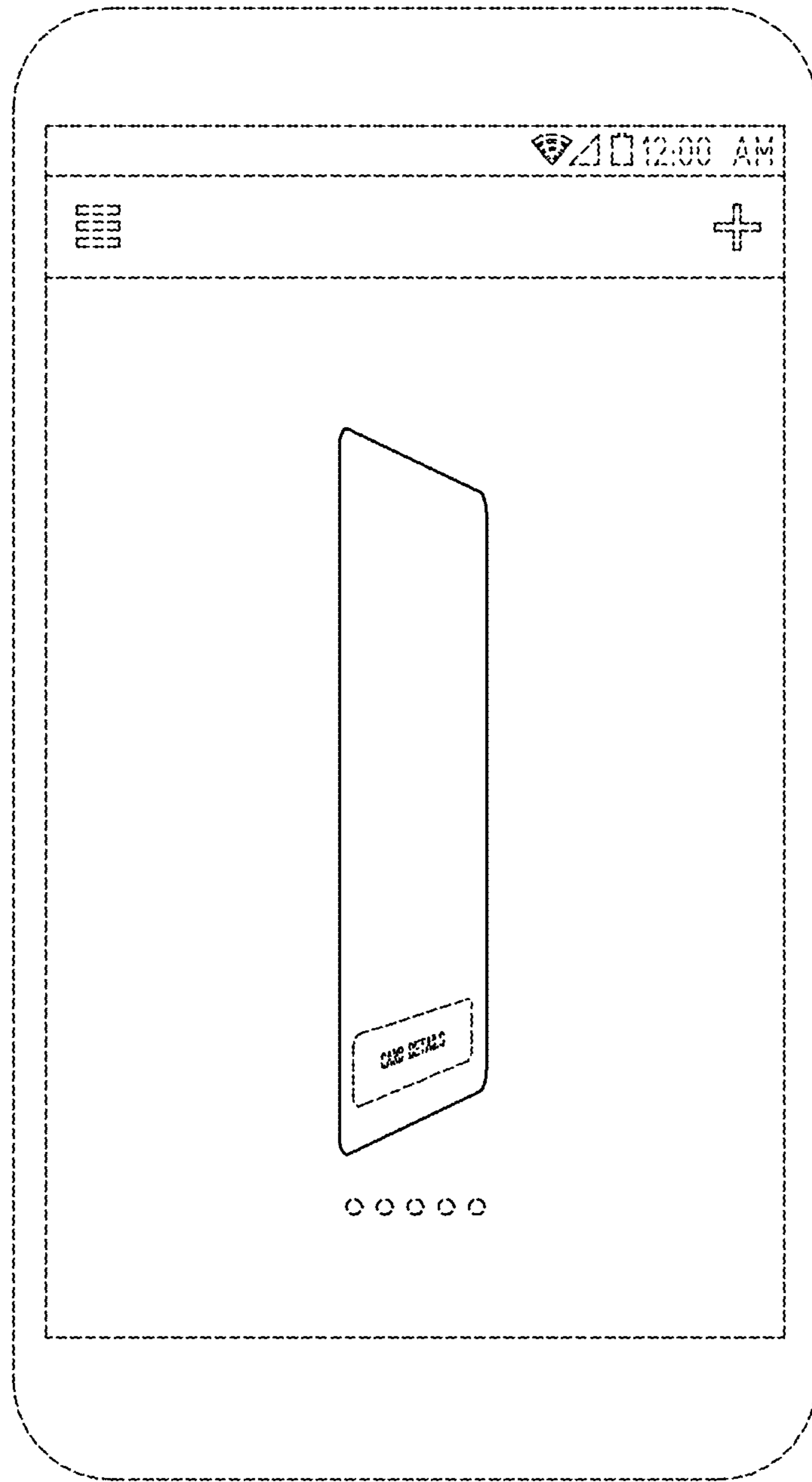


FIG. 10

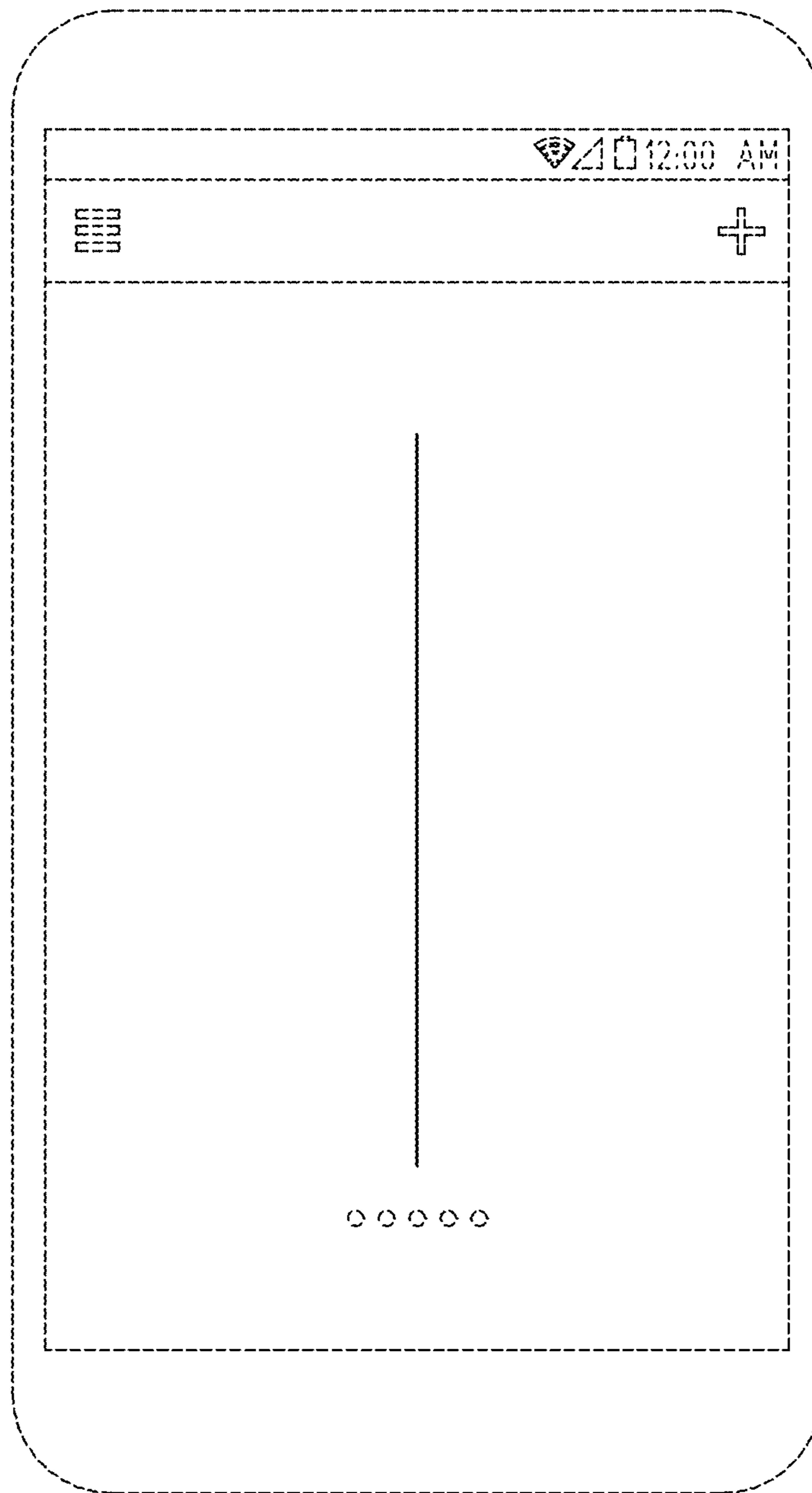


FIG. 11

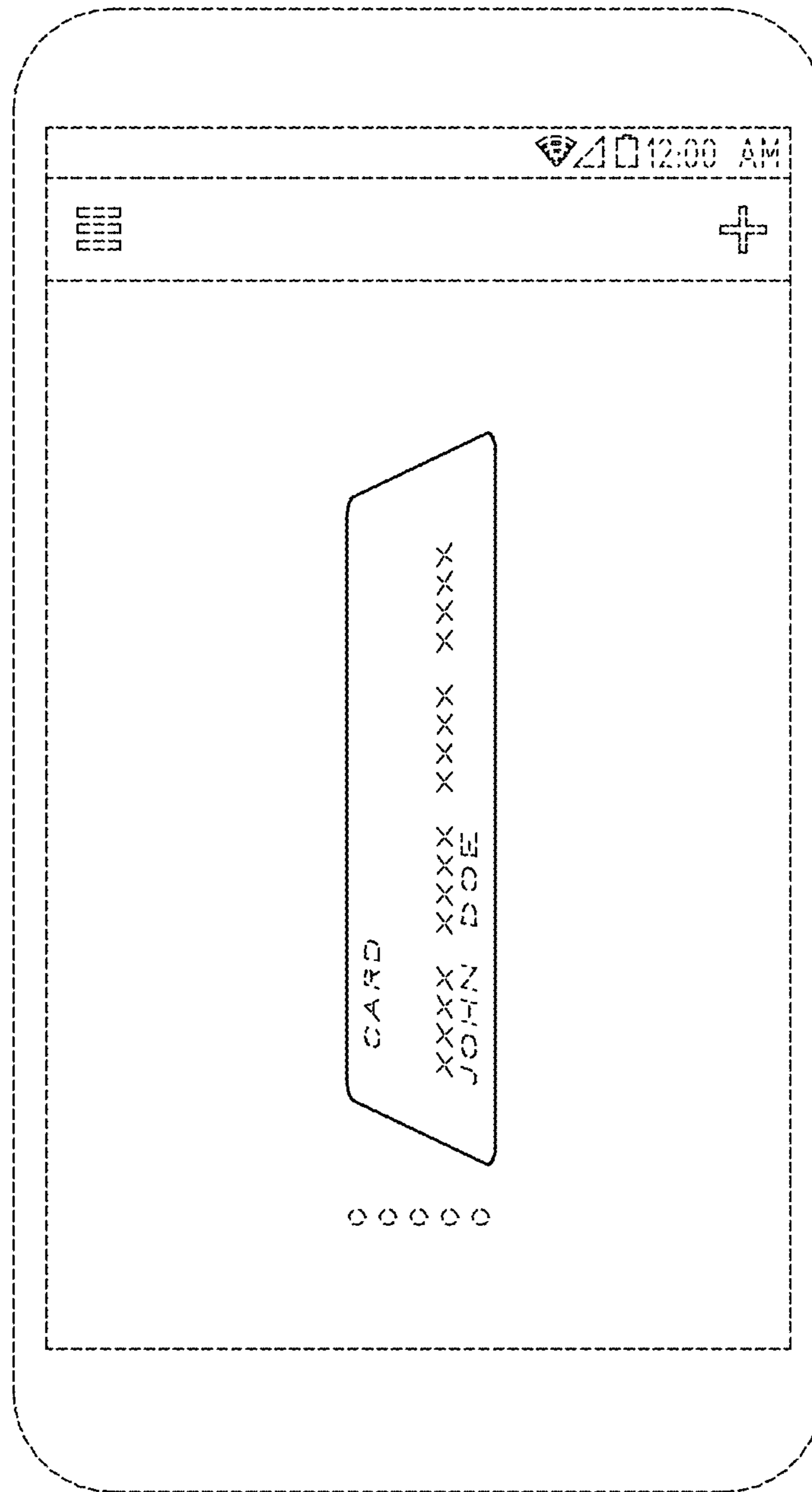


FIG. 12

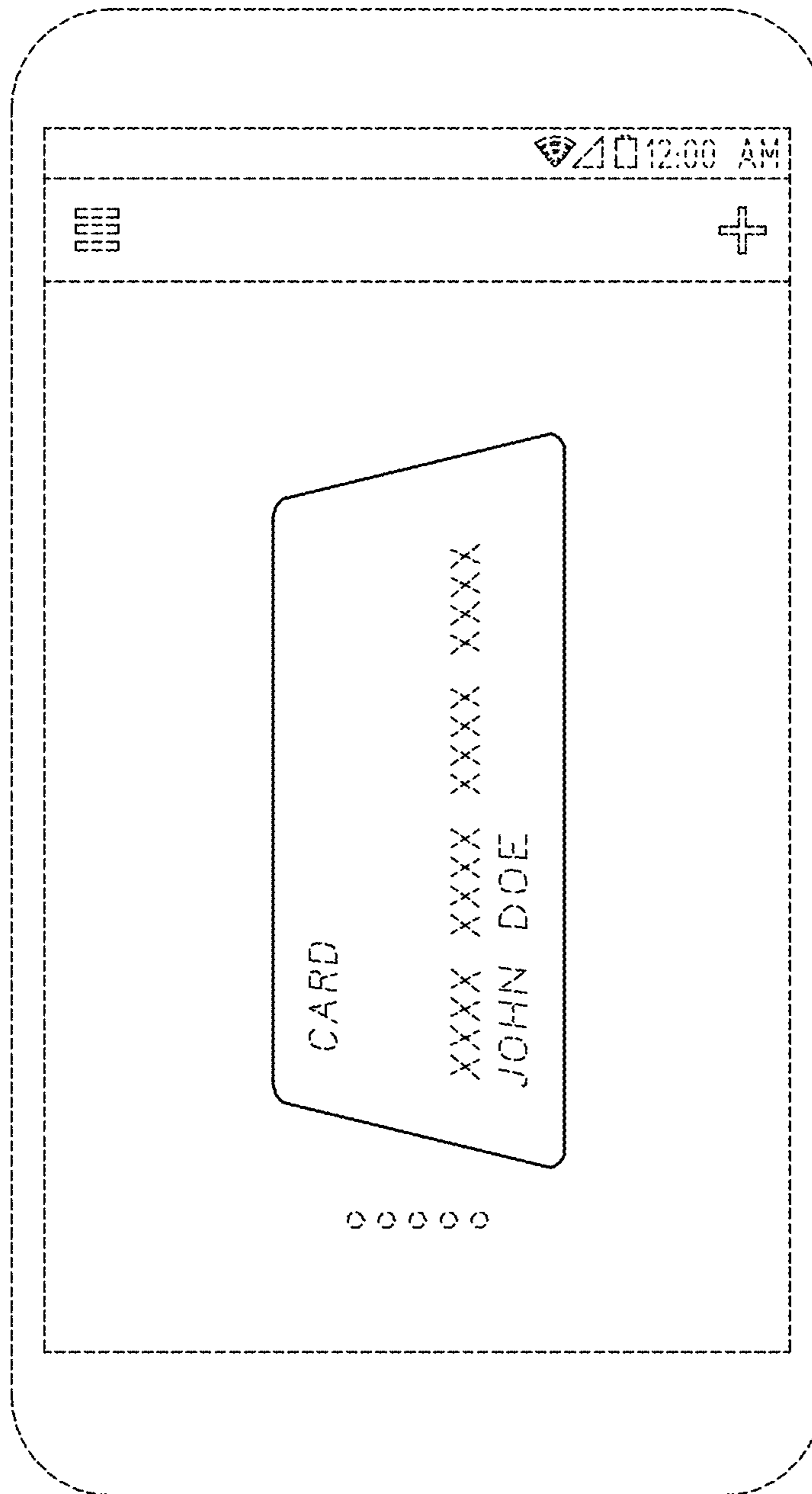


FIG. 13

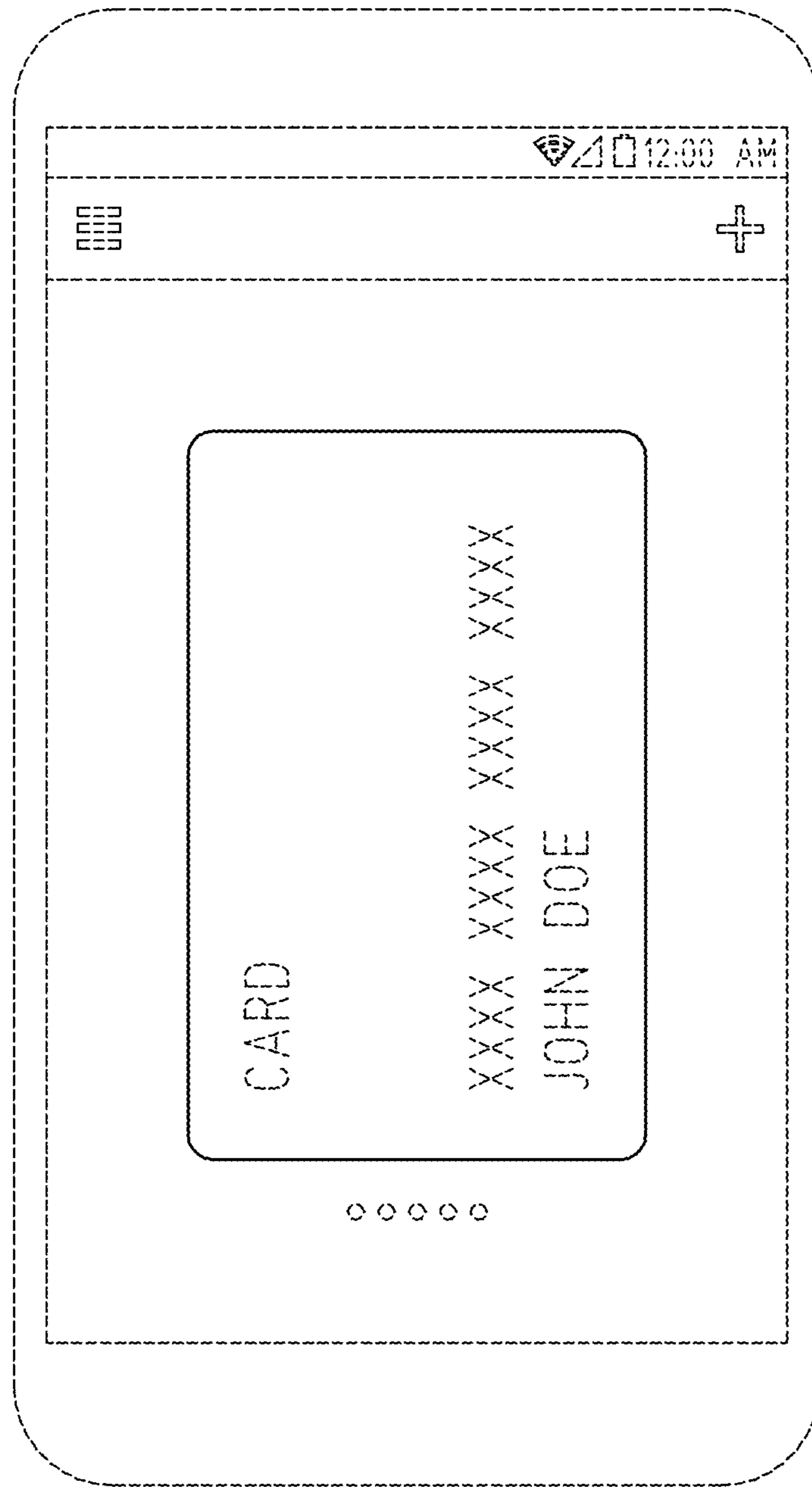


FIG. 14