

US00D769886S

(12) **United States Design Patent** (10) **Patent No.:** **US D769,886 S**  
**Kurita** (45) **Date of Patent:** **\*\* Oct. 25, 2016**

(54) **DISPLAY SCREEN WITH ICON**  
(71) Applicant: **Masahiro Kurita**, Ohta-ku (JP)  
(72) Inventor: **Masahiro Kurita**, Ohta-ku (JP)  
(73) Assignee: **RICOH COMPANY, LTD.**, Tokyo (JP)  
(\*\*) Term: **14 Years**

D563,423 S \* 3/2008 Suzuki ..... D14/486  
D593,112 S \* 5/2009 Danton ..... D14/485  
D606,093 S \* 12/2009 Danton ..... D14/489  
D682,315 S \* 5/2013 Voreis ..... D14/493  
D683,359 S \* 5/2013 Phelan ..... D14/489  
D684,182 S \* 6/2013 Phelan ..... D14/489  
D703,692 S \* 4/2014 Phelan ..... D14/488  
D704,215 S \* 5/2014 Lim ..... D14/489  
D709,087 S \* 7/2014 Dellinger ..... D14/489  
D710,379 S \* 8/2014 Jewitt ..... D14/489

(21) Appl. No.: **29/469,361**

\* cited by examiner

(22) Filed: **Oct. 9, 2013**

*Primary Examiner* — Angela J Lee  
(74) *Attorney, Agent, or Firm* — Oblon, McClelland,  
Maier & Neustadt, L.L.P.

(30) **Foreign Application Priority Data**

Apr. 12, 2013 (JP) ..... 2013-008285

(51) **LOC (10) Cl.** ..... **14-04**

(57) **CLAIM**

(52) **U.S. Cl.**  
USPC ..... **D14/485**

The ornamental design for a display screen with icon, as shown and described.

(58) **Field of Classification Search**  
USPC ..... D14/485–495; 715/835, 836, 837, 840,  
715/846, 847, 976, 977  
CPC .. G06F 3/048; G06F 3/0481; G06F 3/04817;  
G06F 3/0482  
See application file for complete search history.

**DESCRIPTION**

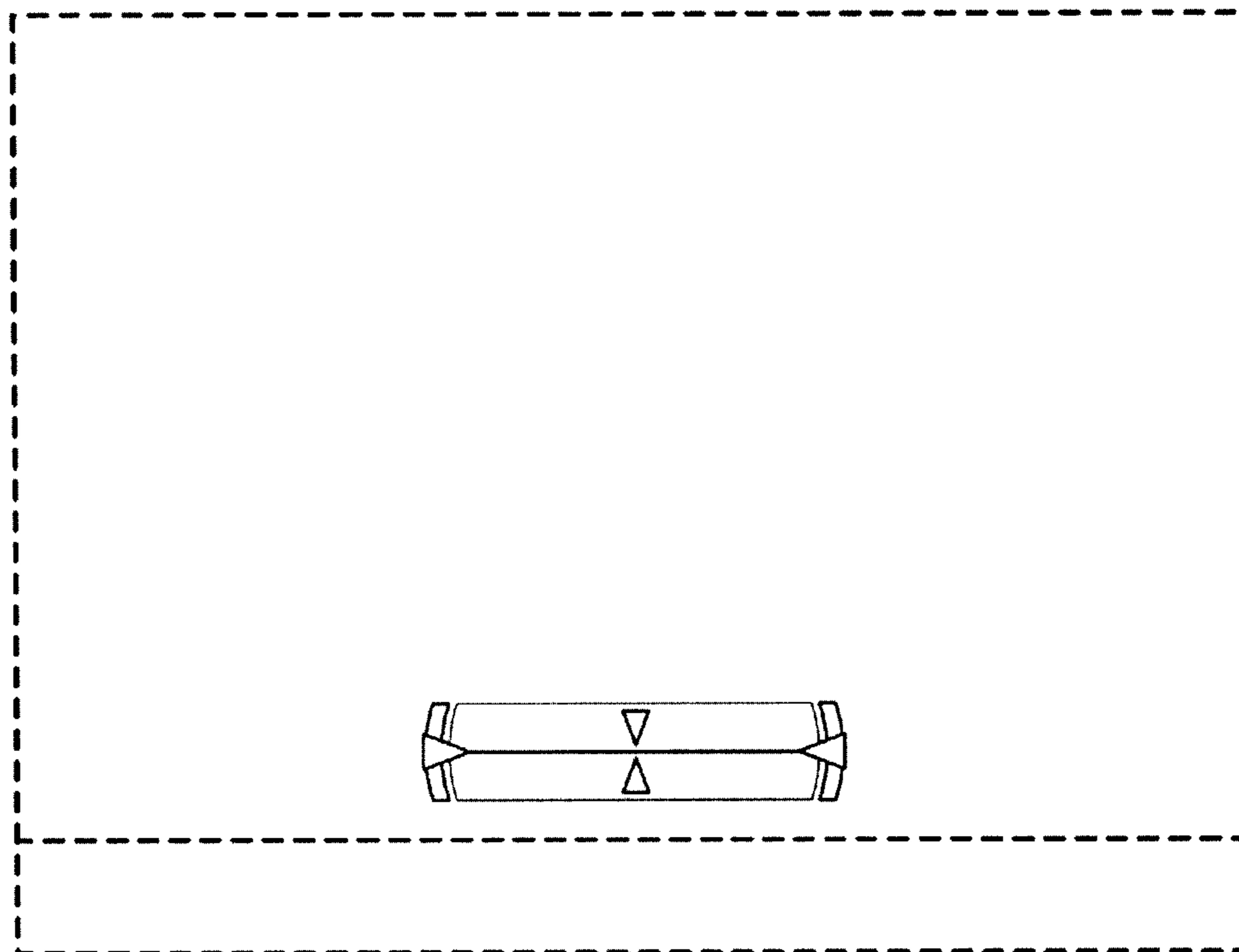
FIG. 1 is a front view of a first embodiment display screen with icon showing my new design; and, FIG. 2 is a front view of a second embodiment thereof. The broken lines showing a portion of a display screen are for the purpose of illustrating environmental structure and form no part of the claimed design.

(56) **References Cited**

**U.S. PATENT DOCUMENTS**

D400,522 S \* 11/1998 Waldner ..... D14/491  
D488,818 S \* 4/2004 Lee ..... D14/489

**1 Claim, 2 Drawing Sheets**



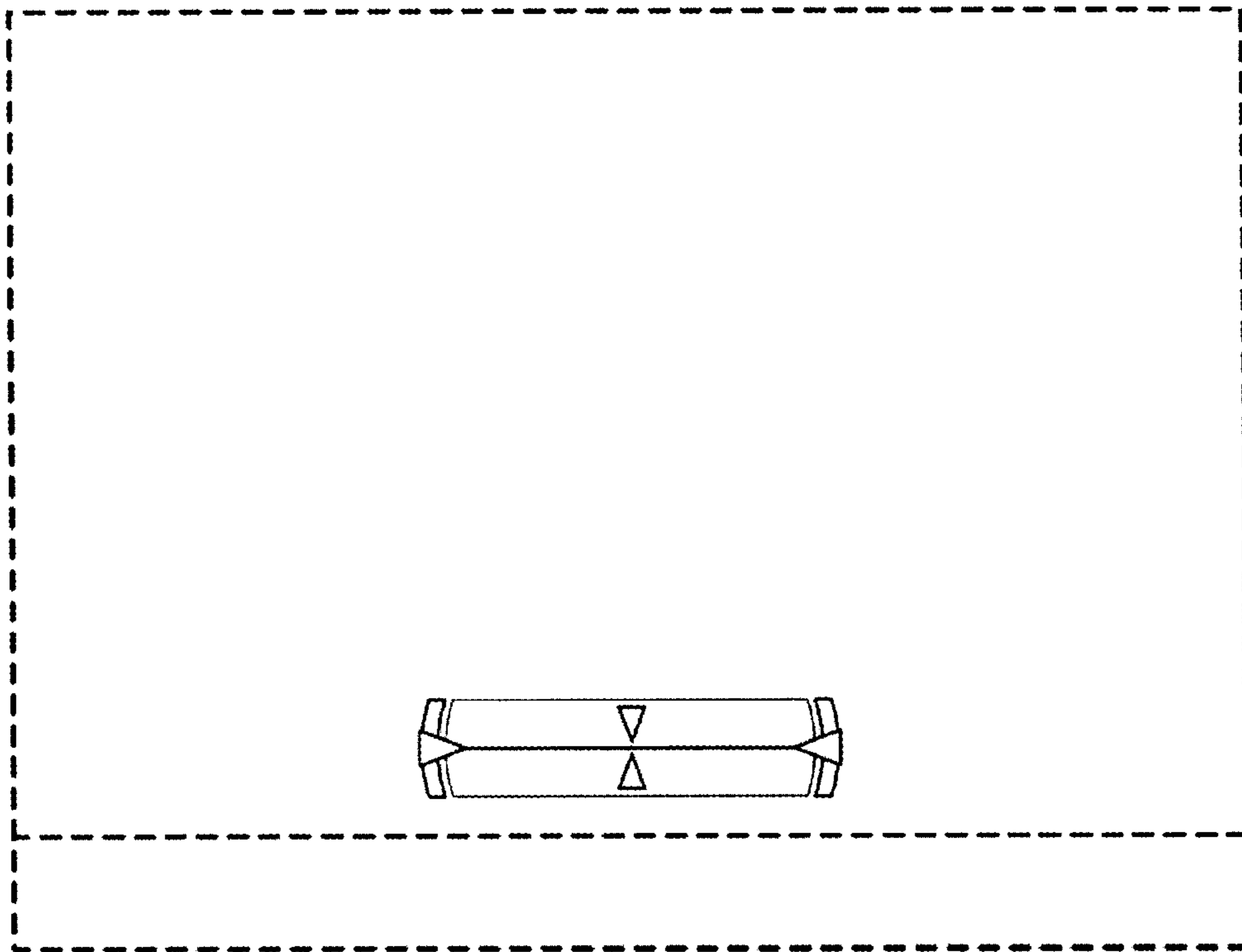


FIG. 1

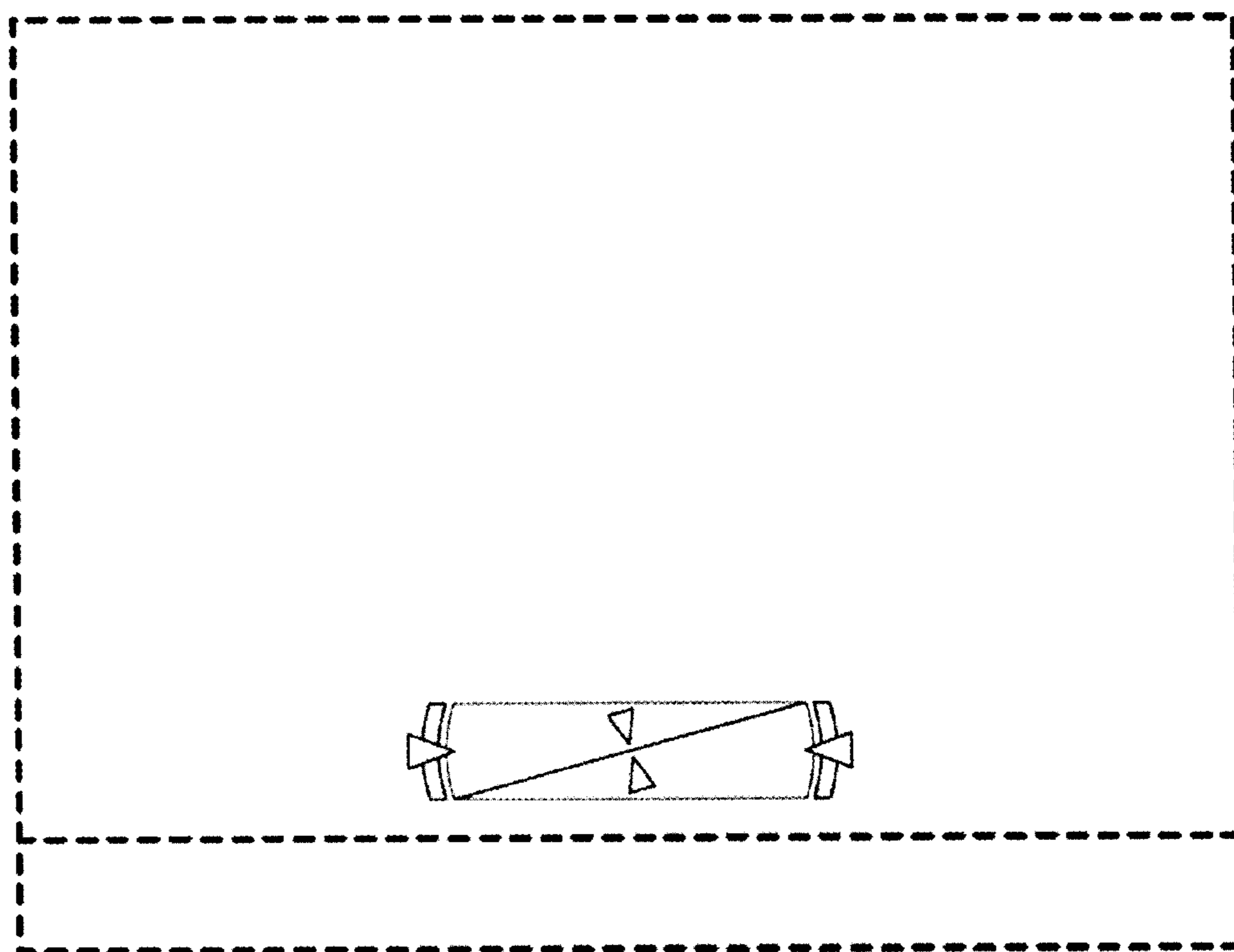


FIG. 2