

US00D769883S

(12) **United States Design Patent**  
**Moon et al.**

(10) **Patent No.:** **US D769,883 S**  
(45) **Date of Patent:** **\*\* Oct. 25, 2016**

(54) **DISPLAY SCREEN OR PORTION THEREOF WITH ANIMATED GRAPHICAL USER INTERFACE**

(71) Applicant: **Samsung Electronics Co., Ltd.**,  
Suwon-si (KR)

(72) Inventors: **Pill-Kyoung Moon**, Seoul (KR);  
**Joo-Sun Moon**, Seoul (KR)

(73) Assignee: **Samsung Electronics Co., Ltd.**,  
Suwon-si (KR)

(\*\*) Term: **14 Years**

(21) Appl. No.: **29/459,226**

(22) Filed: **Jun. 27, 2013**

(30) **Foreign Application Priority Data**

Jan. 5, 2013 (KR) ..... 30-2013-0000767

(51) **LOC (10) Cl.** ..... **14-04**

(52) **U.S. Cl.**  
USPC ..... **D14/485**

(58) **Field of Classification Search**  
USPC ..... D14/485-495  
CPC .. G06F 3/048; G06F 3/0481; G06F 3/04817;  
G06F 3/0482; G06F 3/0483; G06F 3/04842;  
G06F 3/0485; G06F 3/04855; G06F 3/0486;  
G06F 3/0488; G06F 3/04886; G06F 9/4443  
See application file for complete search history.

(56) **References Cited**

**U.S. PATENT DOCUMENTS**

5,977,973 A \* 11/1999 Sobeski ..... G09G 5/14  
715/798  
6,054,985 A \* 4/2000 Morgan ..... G06F 9/543  
345/156

D531,636 S \* 11/2006 Hoefnagels ..... D14/485  
D554,143 S \* 10/2007 Keohane ..... D14/487  
D573,153 S \* 7/2008 Roever ..... D14/488  
D599,368 S \* 9/2009 Kanga ..... D14/485  
D599,806 S \* 9/2009 Brown ..... D14/485  
D614,643 S \* 4/2010 Viegers ..... D14/486

(Continued)

*Primary Examiner* — Kevin Rudzinski

*Assistant Examiner* — John Reickel

(74) *Attorney, Agent, or Firm* — NSIP Law

(57) **CLAIM**

The ornamental design for a display screen or portion thereof with animated graphical user interface.

**DESCRIPTION**

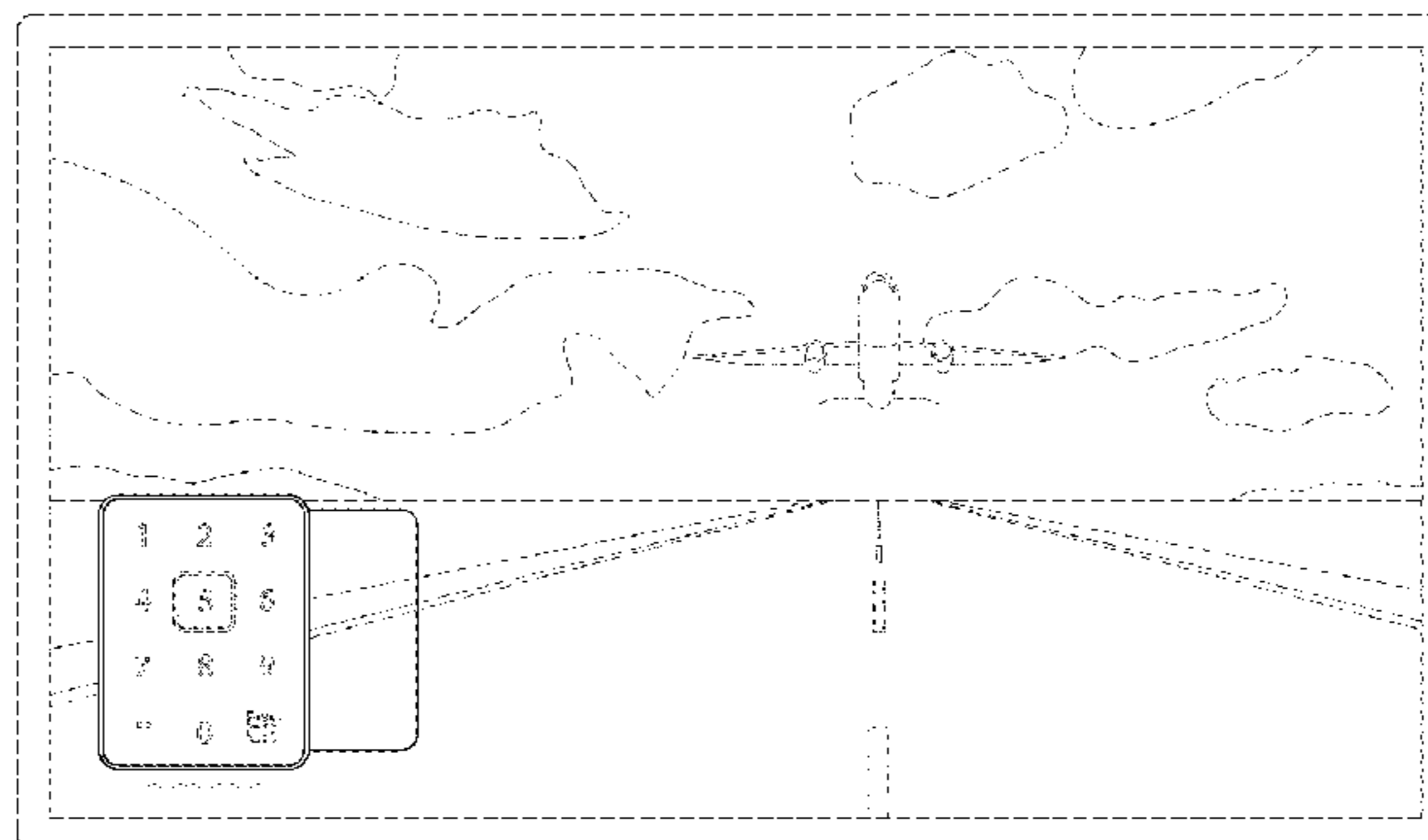
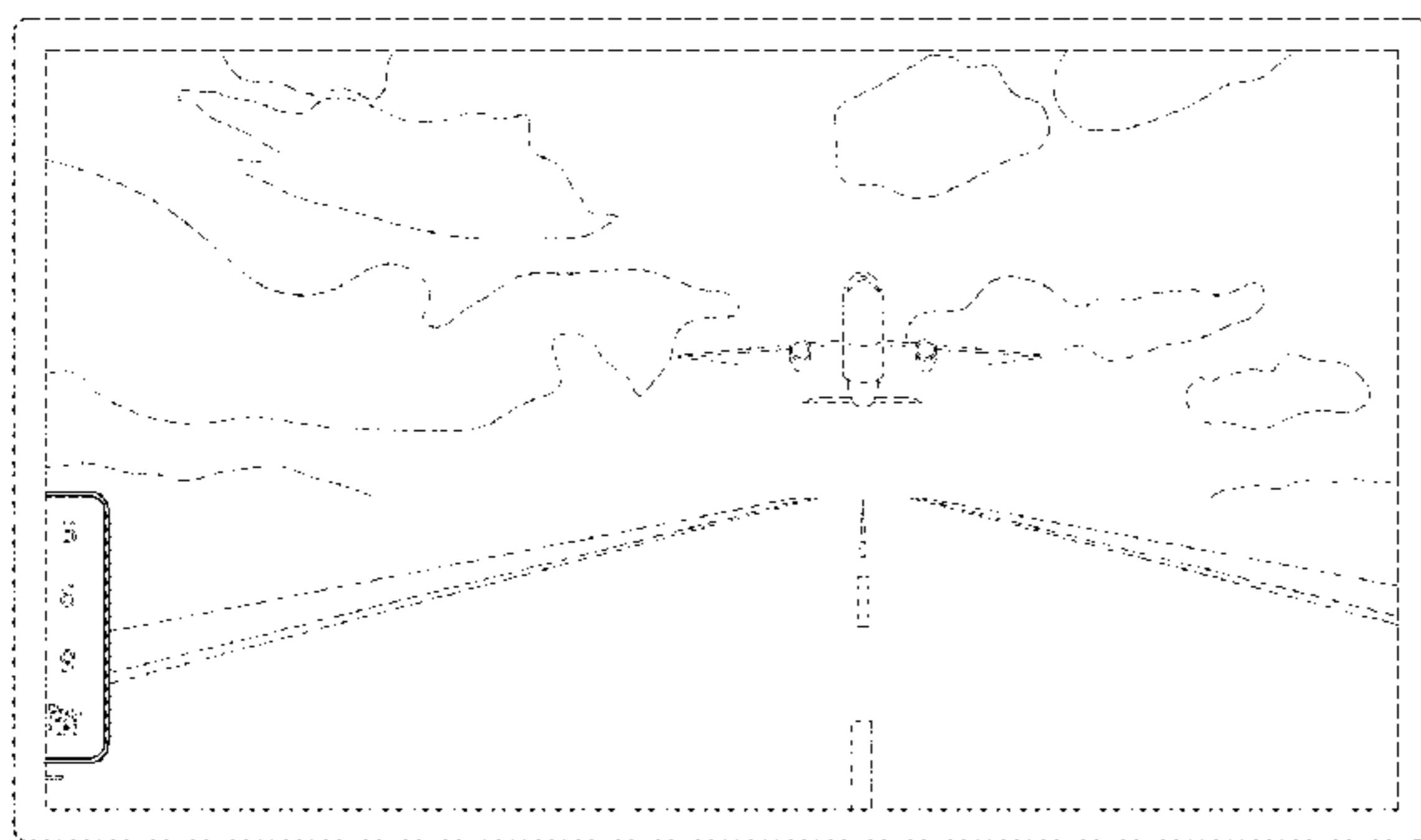
FIG. 1 is a front view of the first image in a sequence for a display screen or portion thereof with animated graphical user interface showing our new design, in which a display device in broken lines is provided to illustrate an example environment,

FIG. 2 is a front view of the second image thereof; FIG. 3 is a front view of the third image thereof; FIG. 4 is a front view of the fourth image thereof; FIG. 5 is a front view of the fifth image thereof; FIG. 6 is a front view of the sixth image thereof; FIG. 7 is a front view of the seventh image thereof; FIG. 8 is a front view of the eighth image thereof; and, FIG. 9 is a front view of the ninth image thereof.

The broken lines are for environmental structure only and form no part of the claimed design.

The appearance of the transitional image sequentially transitions between the images shown in FIGS. 1-9. The process or period in which one image transitions to another image forms no part of the claimed design.

**1 Claim, 9 Drawing Sheets**



(56)

**References Cited**

U.S. PATENT DOCUMENTS

D658,201 S \* 4/2012 Gleasman ..... D14/486  
D663,314 S \* 7/2012 David ..... D14/487  
D703,220 S \* 4/2014 Ku ..... D14/485  
D735,752 S \* 8/2015 Kim ..... D14/488  
D736,247 S \* 8/2015 Chen ..... D14/488

D736,248 S \* 8/2015 Chen ..... D14/488  
D744,523 S \* 12/2015 Sanderson ..... D14/488  
D744,524 S \* 12/2015 Abbas ..... D14/488  
D745,550 S \* 12/2015 Sanderson ..... D14/488  
D753,137 S \* 4/2016 Chang ..... D14/485  
D753,158 S \* 4/2016 Mezzanotte ..... D14/486  
D753,709 S \* 4/2016 Kawanabe ..... D14/488  
D755,207 S \* 5/2016 Moon ..... D14/485

\* cited by examiner

FIG. 1

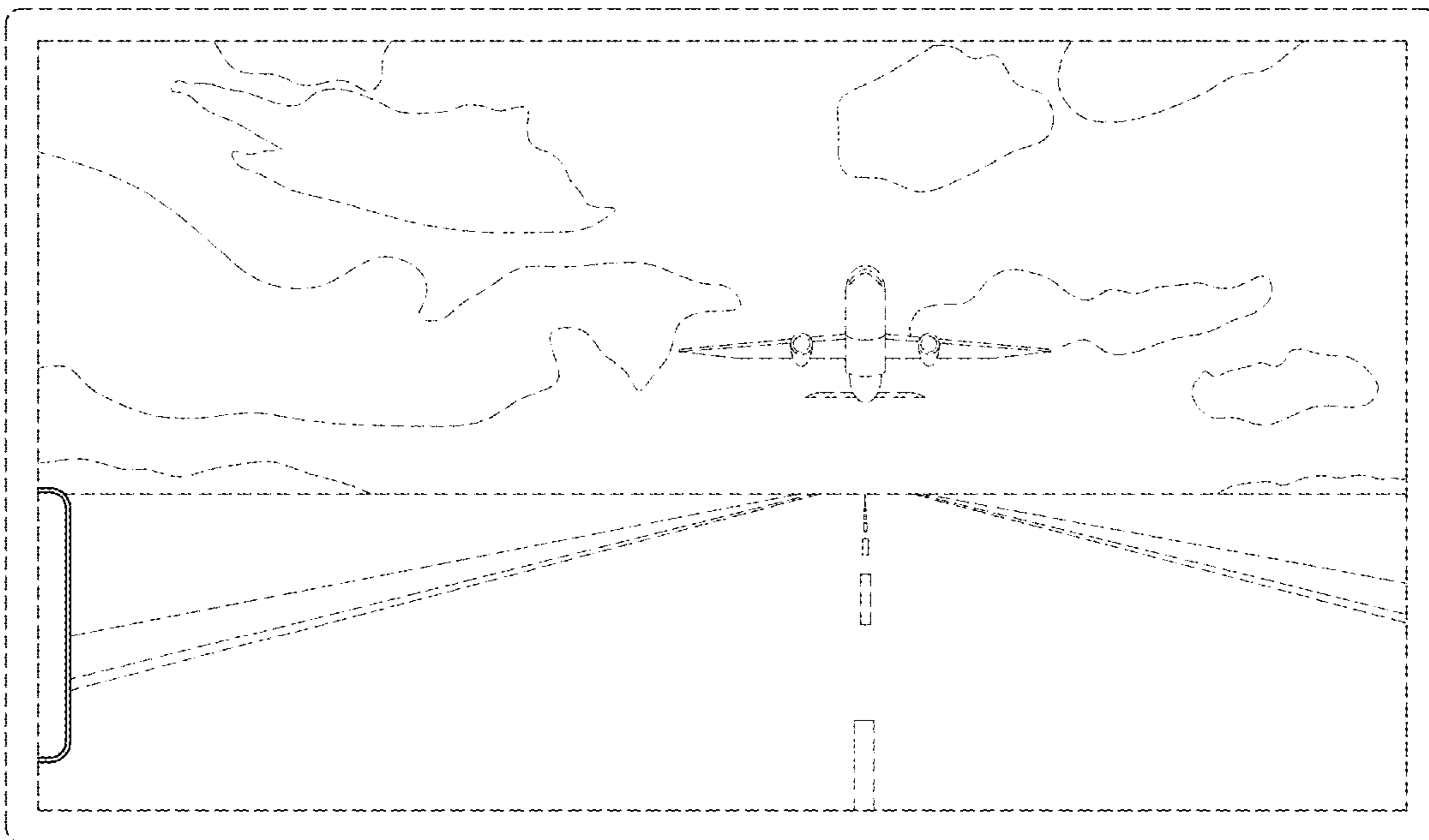


FIG. 2

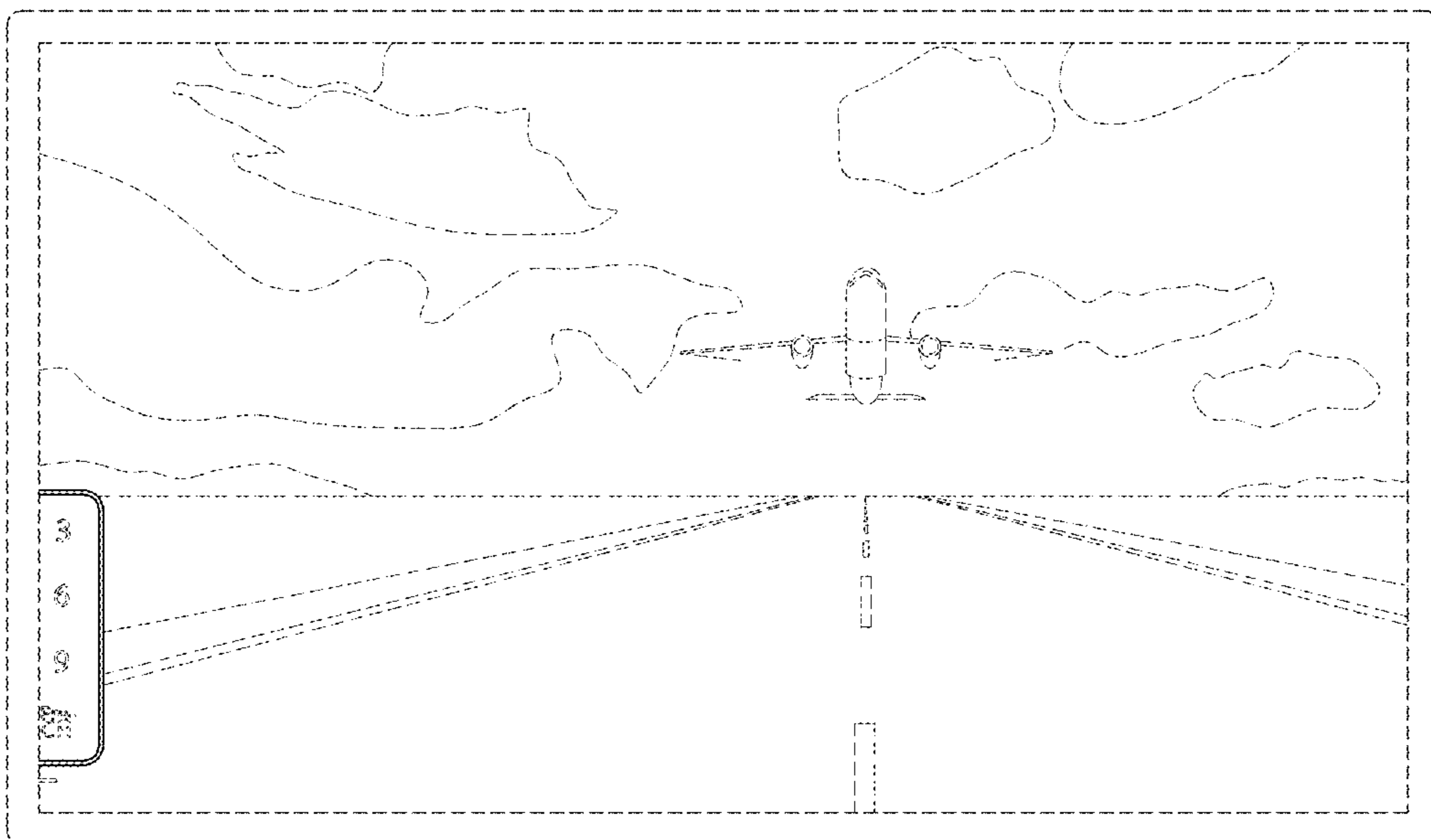


FIG. 3

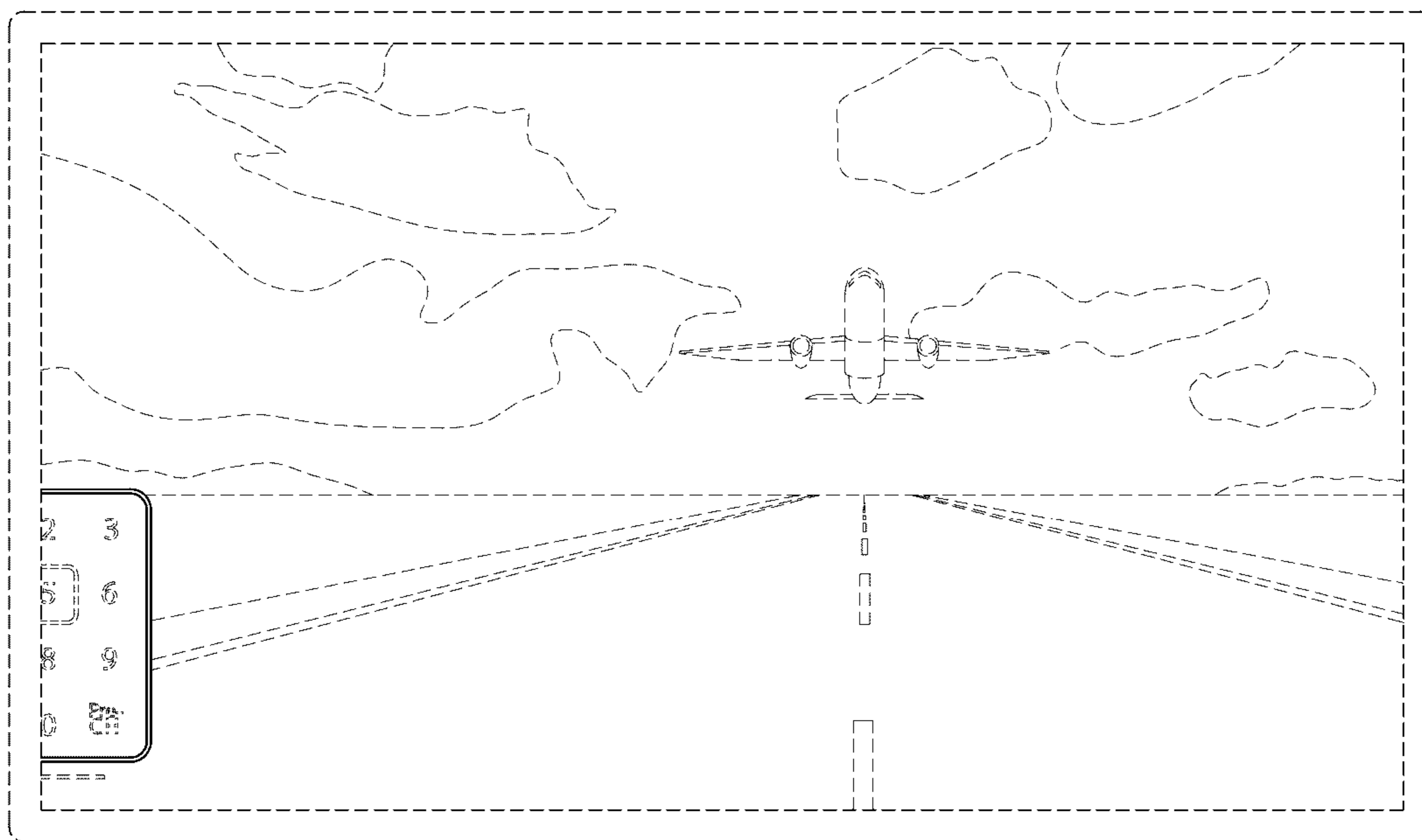


FIG. 4

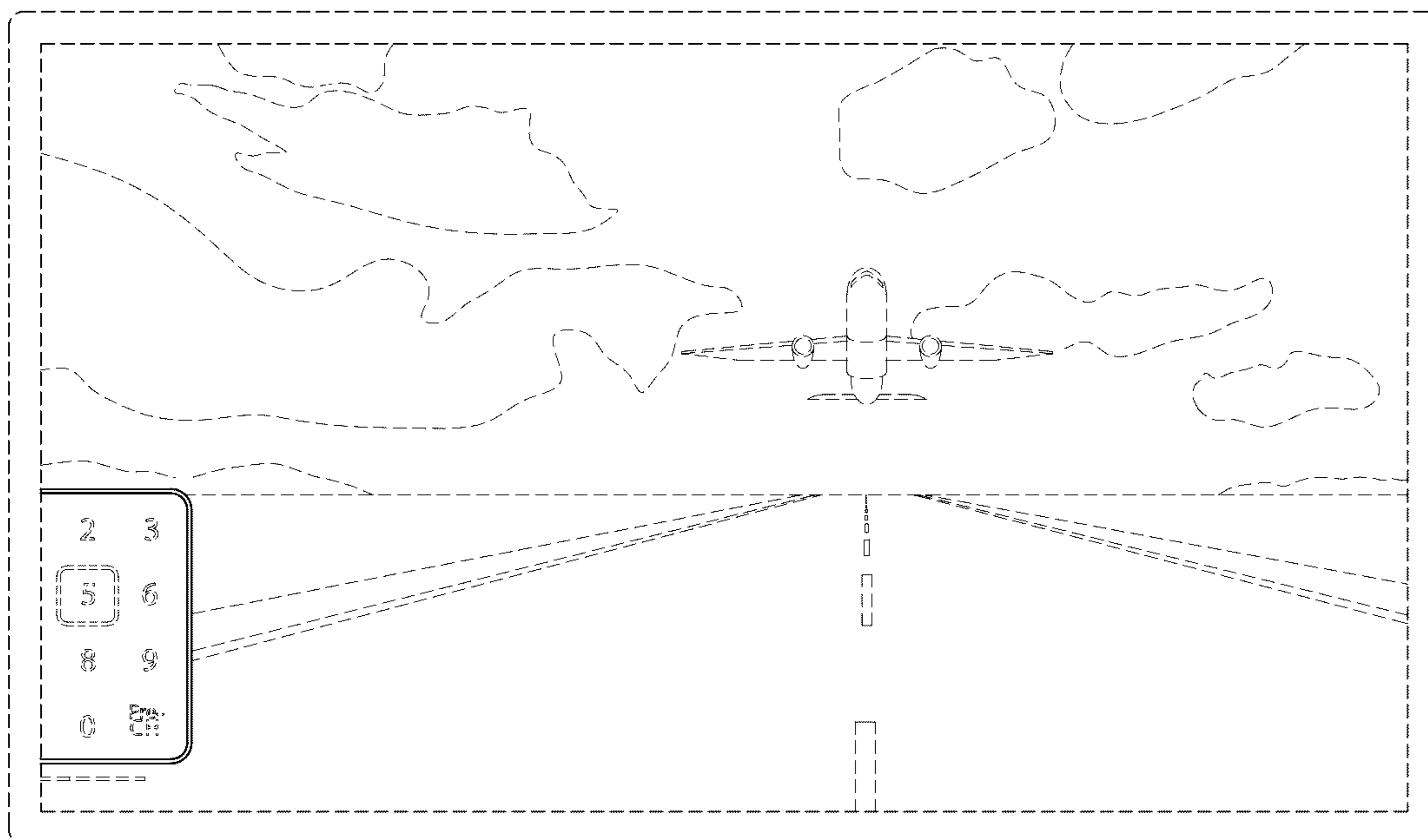


FIG. 5

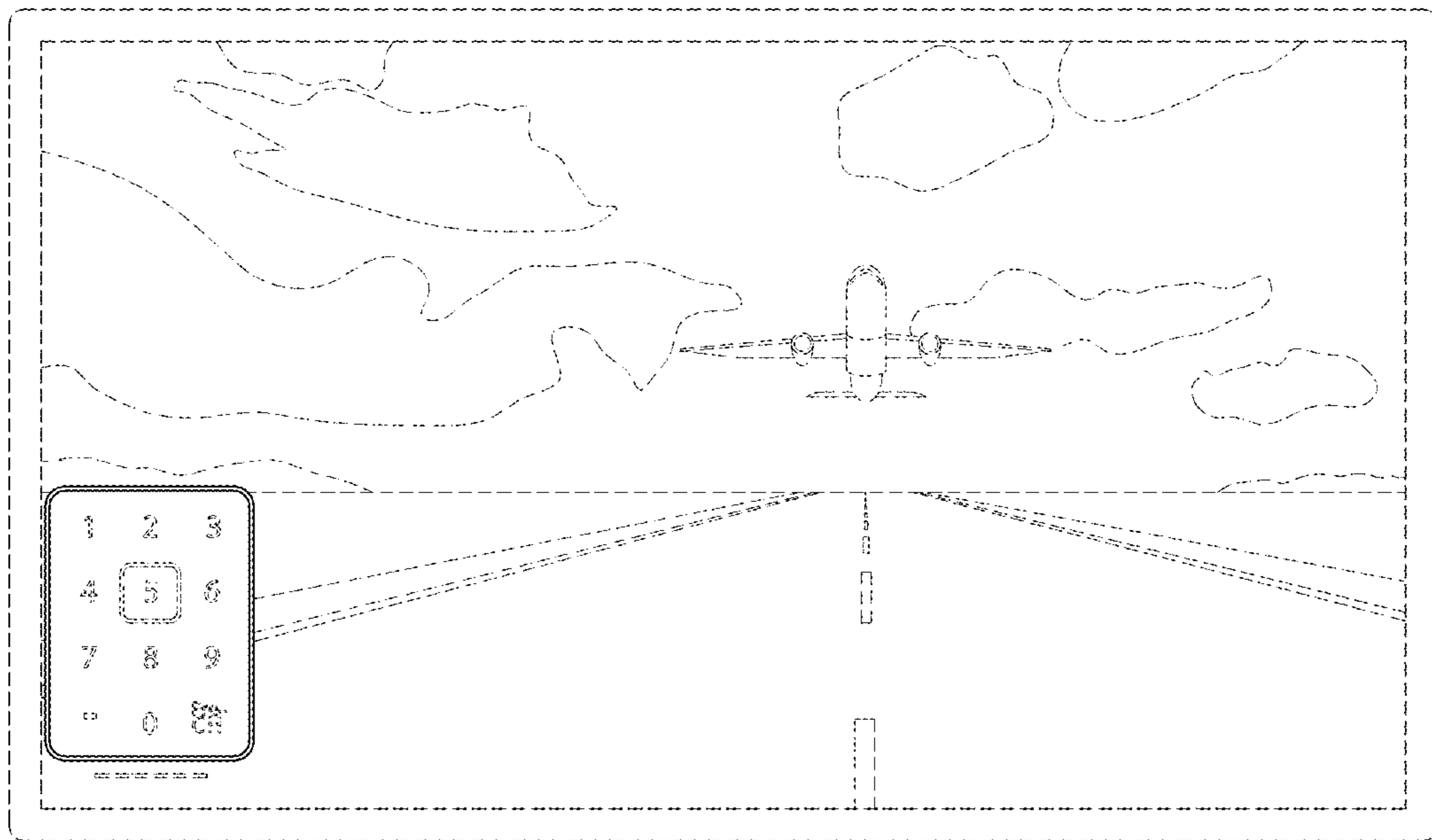


FIG. 6

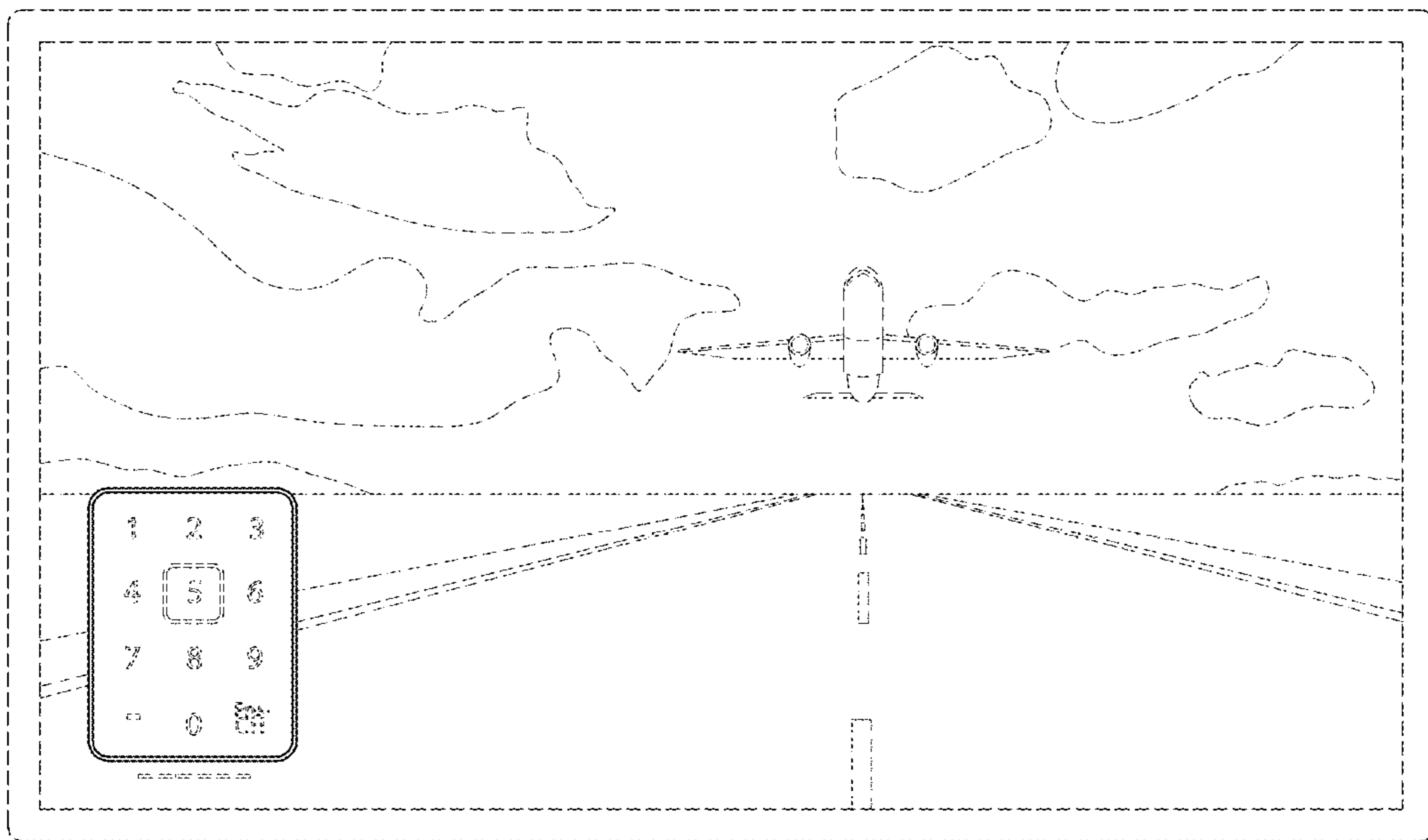




FIG. 7

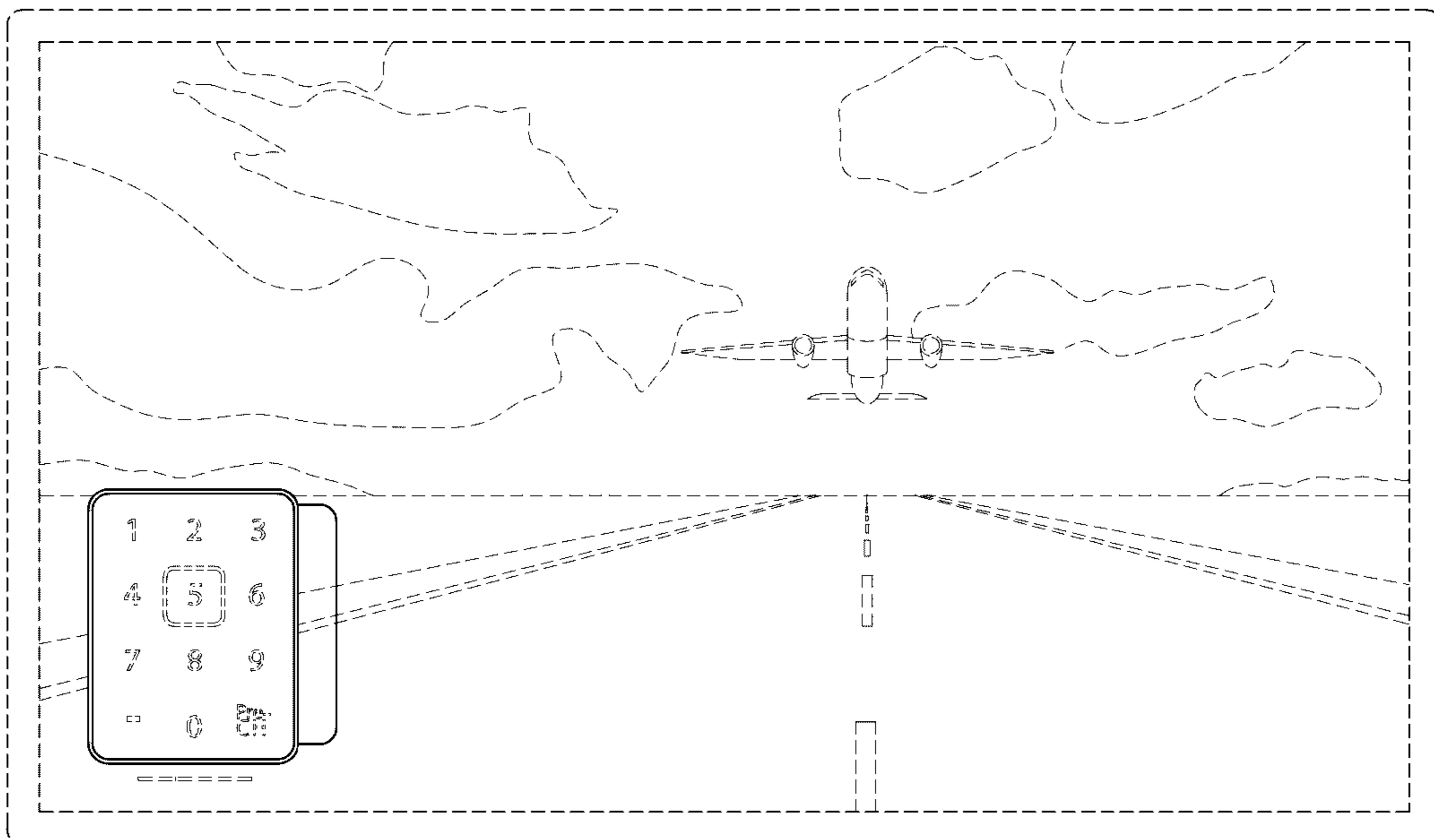


FIG. 8

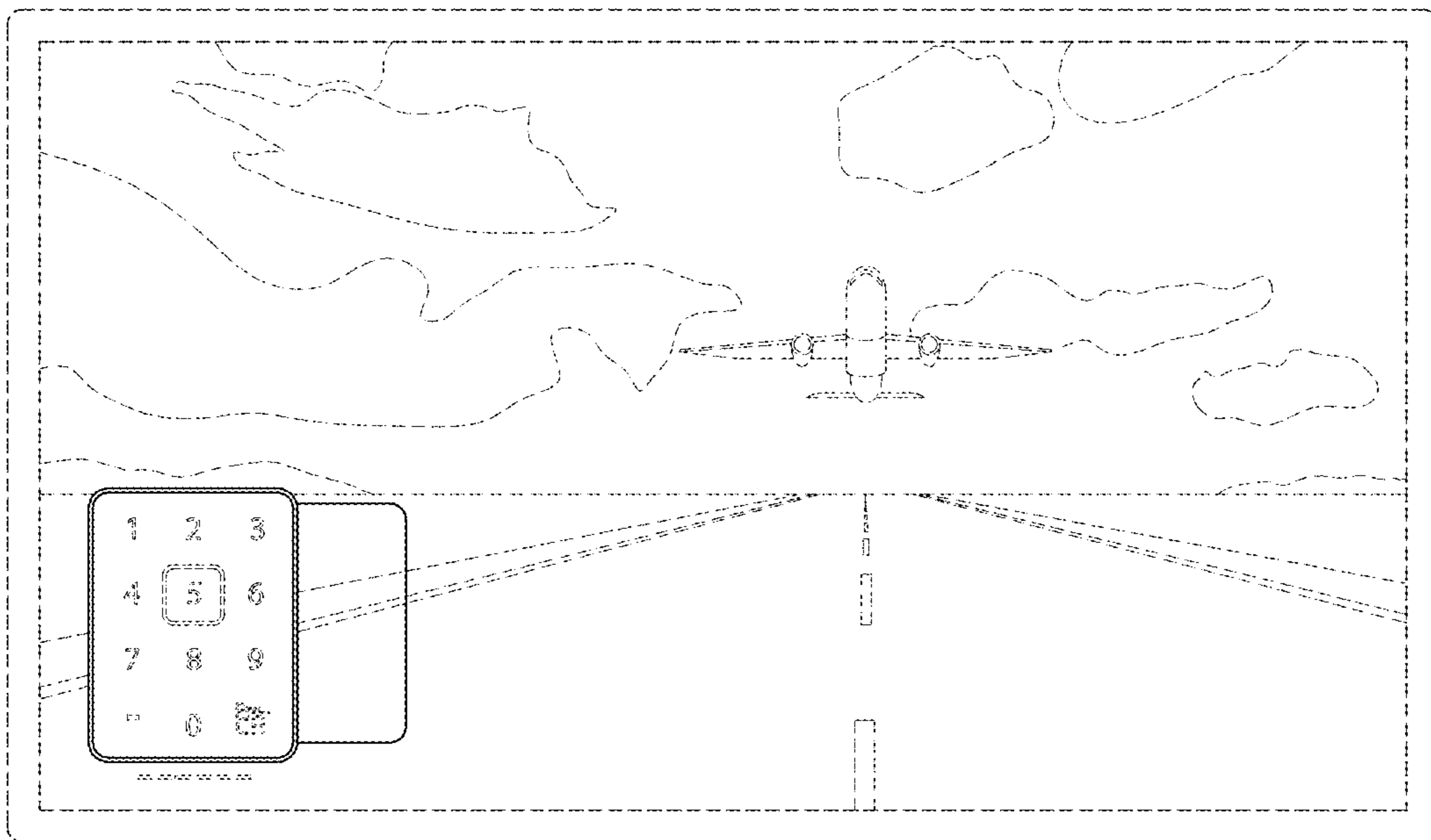


FIG. 9

