



US00D769882S

(12) **United States Design Patent**  
**Hair et al.**

(10) **Patent No.:** **US D769,882 S**

(45) **Date of Patent:** **\*\* Oct. 25, 2016**

(54) **ASYMMETRIC USB STORAGE DEVICE**

(71) Applicant: **Carestream Health, Inc.**, Rochester, NY (US)

(72) Inventors: **Steven E. Hair**, Woodbury, MN (US);  
**Donald J. Goetzke**, Woodbury, MN (US)

(73) Assignee: **Carestream Health, Inc.**, Rochester, NY (US)

(\*\*) Term: **15 Years**

(21) Appl. No.: **29/546,764**

(22) Filed: **Nov. 25, 2015**

(51) **LOC (10) Cl.** ..... **14-03**

(52) **U.S. Cl.**  
USPC ..... **D14/480.1**

(58) **Field of Classification Search**  
USPC ..... D14/435.1, 480.1-480.7, 411, 433, 436,  
D14/484.1, 137, 155, 203.1-203.8, 240,  
D14/242; D13/133, 154  
CPC ..... H05K 5/0278; G06K 19/07732  
See application file for complete search history.

(56) **References Cited**

**U.S. PATENT DOCUMENTS**

D511,519 S \* 11/2005 Bone ..... D14/480.1  
D513,005 S \* 12/2005 Kobayakawa ..... D14/480.1

D631,053 S \* 1/2011 Bailey ..... D10/70  
D662,941 S \* 7/2012 Emami ..... D14/480.3  
D706,277 S \* 6/2014 Fukuoka ..... D14/480.1  
D706,278 S \* 6/2014 Fukuoka ..... D14/480.5  
D709,513 S \* 7/2014 Huang ..... D14/480.3  
D711,891 S \* 8/2014 Emami ..... D14/480.5  
8,929,063 B2 \* 1/2015 Emami ..... H05K 5/0278  
361/679.32  
D754,138 S \* 4/2016 Otsuka ..... D14/480.1  
D759,028 S \* 6/2016 Emami ..... D14/480.1  
2014/0211407 A1 \* 7/2014 Huang ..... G06K 19/07732  
361/679.32  
2015/0195933 A1 \* 7/2015 Huang ..... H05K 5/0278  
361/679.32

\* cited by examiner

*Primary Examiner* — Angela J Lee

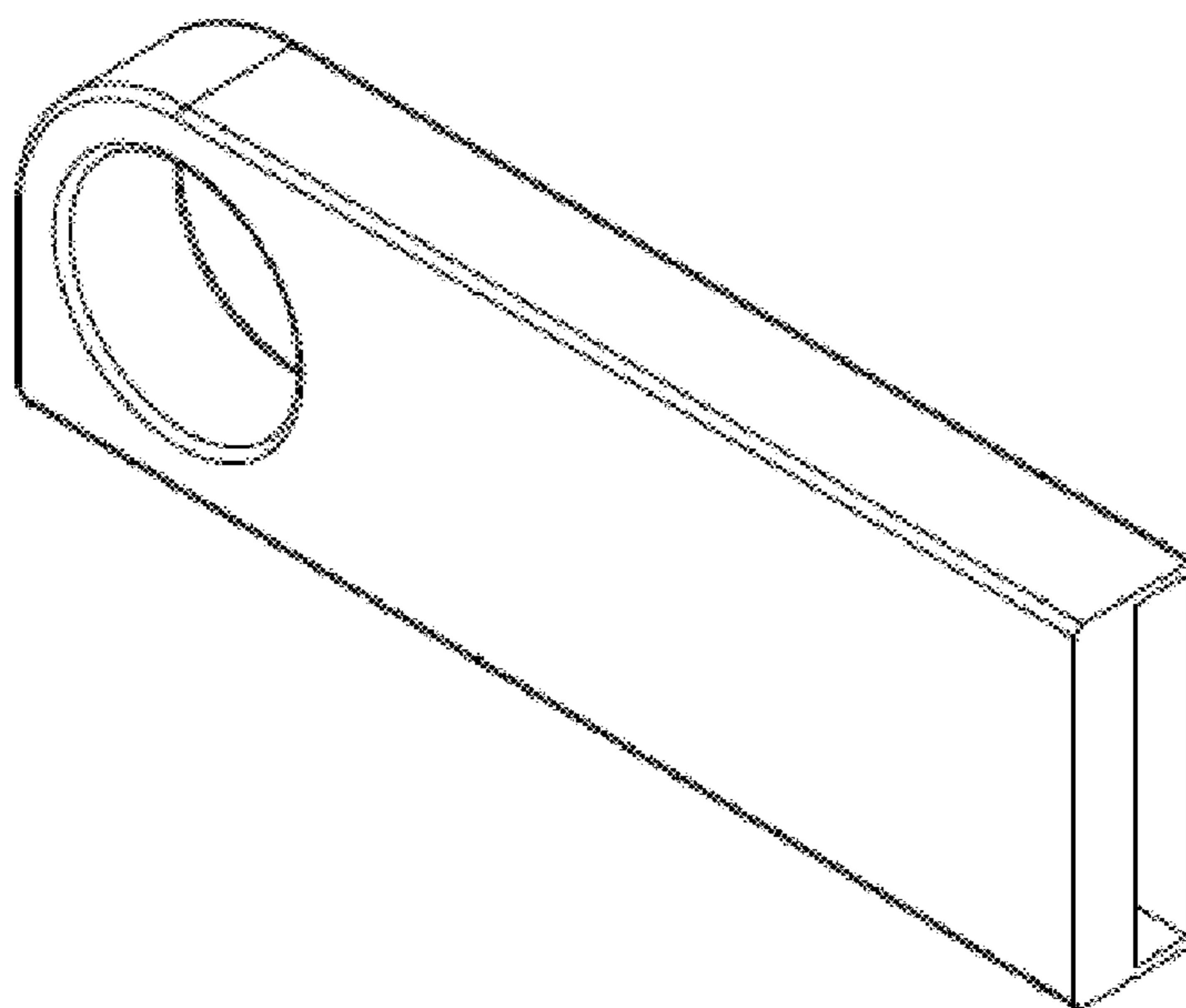
(57) **CLAIM**

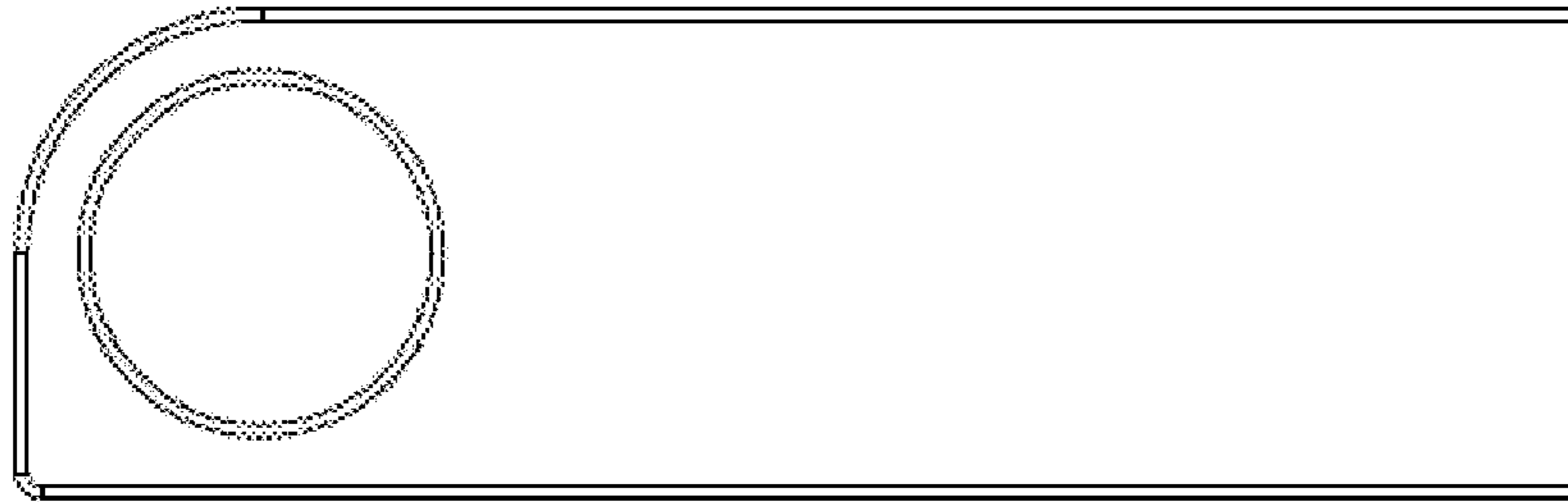
The ornamental design for an asymmetric USB storage device, as shown and described.

**DESCRIPTION**

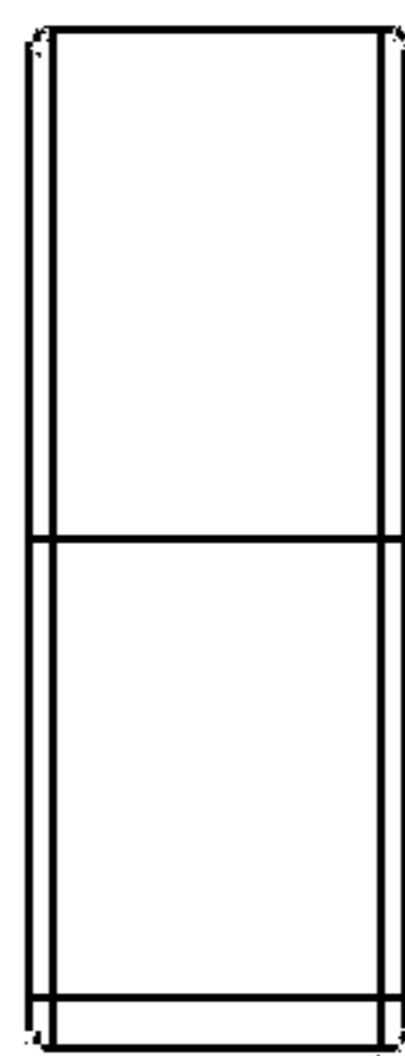
FIG. 1 is a front view of an asymmetric USB storage device showing our new design.  
FIG. 2 is a left side view thereof.  
FIG. 3 is a right side view thereof.  
FIG. 4 is a top side view thereof.  
FIG. 5 is a bottom side view thereof.  
FIG. 6 is a front perspective view thereof; and,  
FIG. 7 is a front perspective view thereof.

**1 Claim, 3 Drawing Sheets**

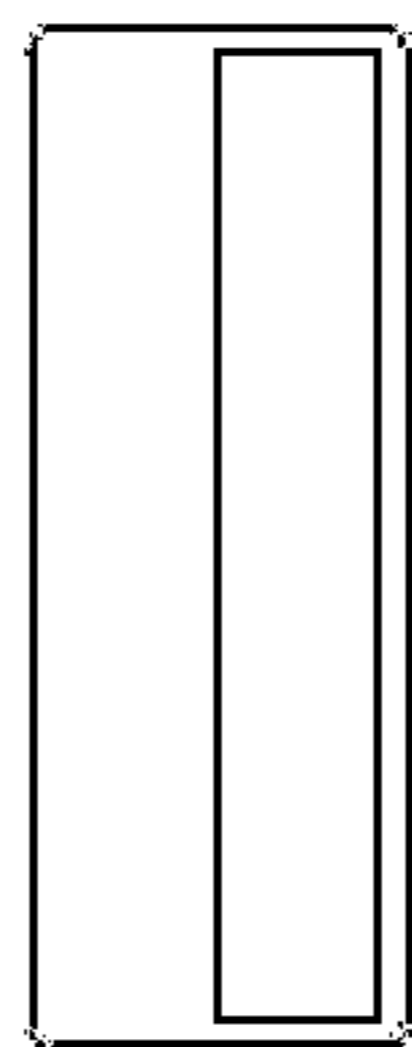




**FIG. 1**



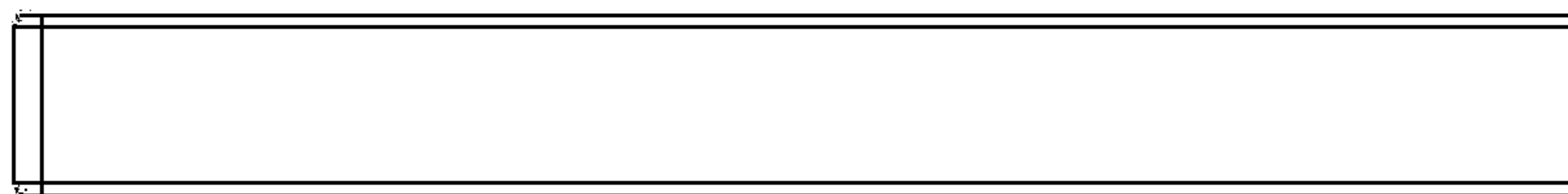
**FIG. 2**



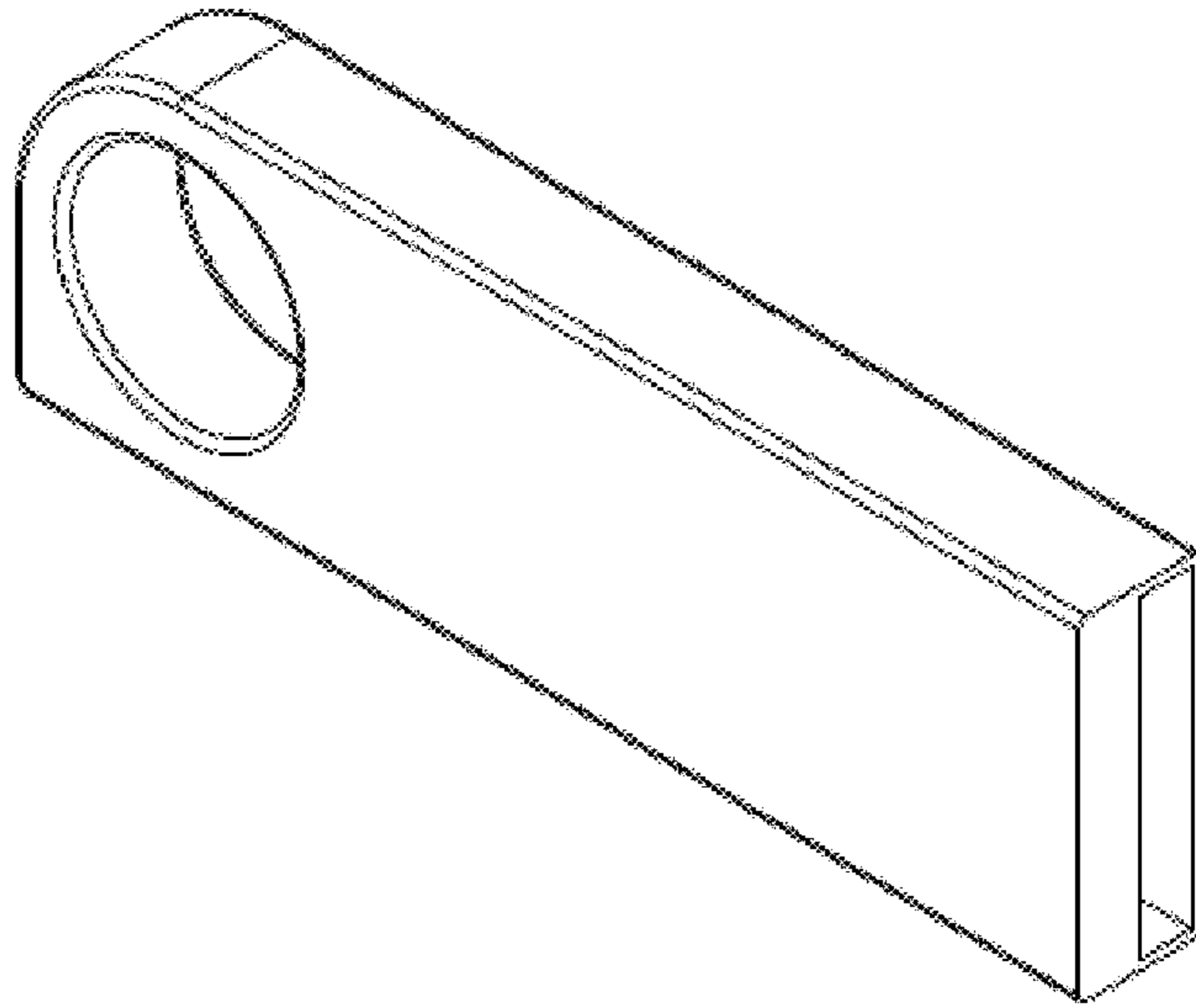
**FIG. 3**



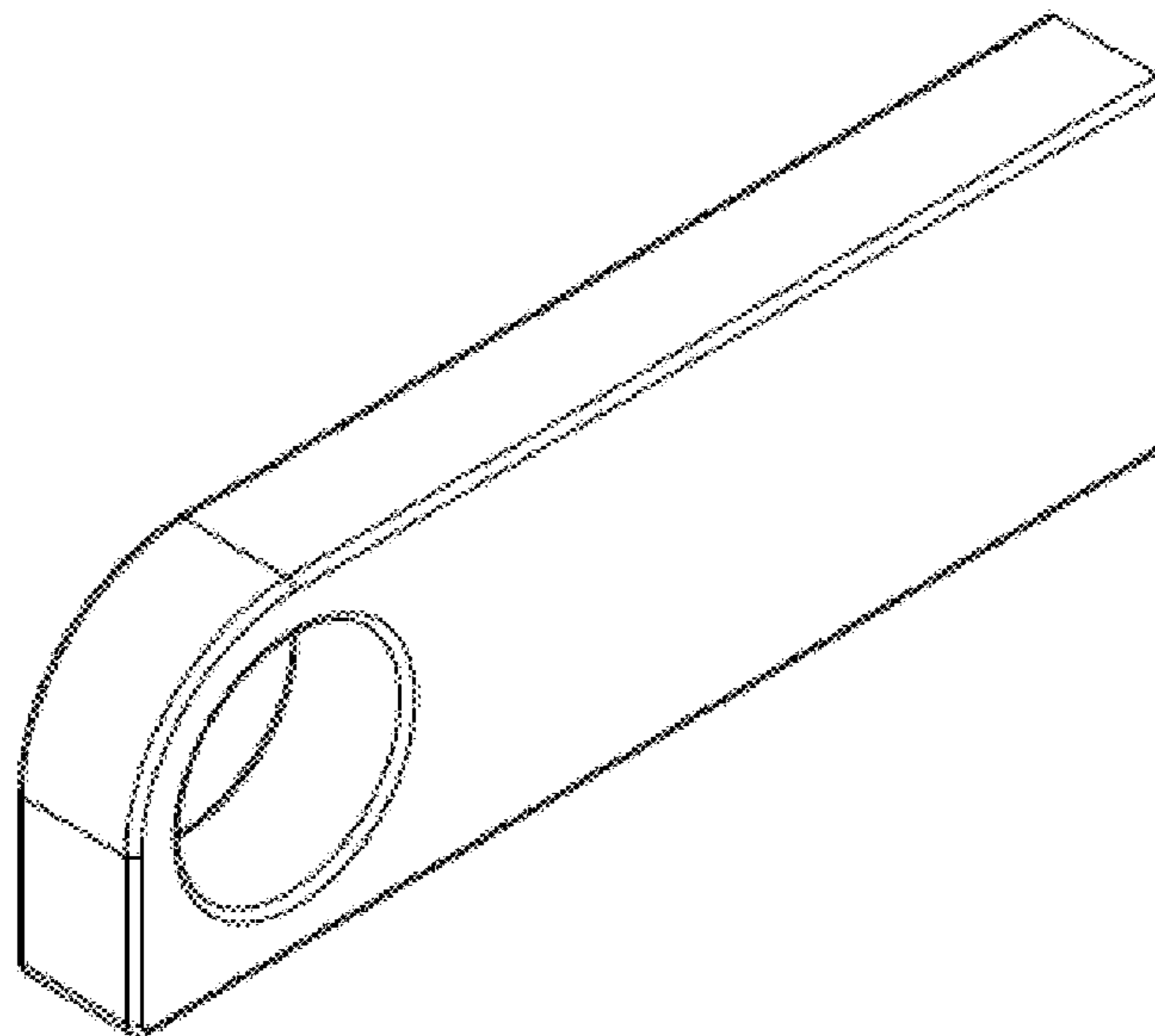
**FIG. 4**



**FIG. 5**



**FIG. 6**



**FIG. 7**