

US00D769881S

(12) **United States Design Patent** (10) **Patent No.:** **US D769,881 S**  
**Lazzi et al.** (45) **Date of Patent:** **\*\* Oct. 25, 2016**

(54) **HEIGHT ADJUSTABLE WORKSTATION**  
 (71) Applicant: **Humanscale Corporation**, New York, NY (US)

5,758,849 A 6/1998 Bui et al.  
 5,799,917 A 9/1998 Li  
 5,868,079 A 2/1999 Charny

(Continued)

(72) Inventors: **Vincenzo Ambrozio Lazzi**, South Orange, NJ (US); **Vladimir Stanislavovich Chumakov**, Vaughan (CA)

FOREIGN PATENT DOCUMENTS

DE 3814894 C1 9/1989  
 DE 4428890 C1 10/1995

(Continued)

(73) Assignee: **Humanscale Corporation**, New York, NY (US)

OTHER PUBLICATIONS

Ergotron, Inc., Ergotron® WorkFit-S Sit-Stand Workstation, Product Sheet, Rev. Apr. 28, 2014, US, www.ergotron.com, 2 pages.

(\*\*) Term: **14 Years**

*Primary Examiner* — Barbara Fox

(21) Appl. No.: **29/499,631**

*Assistant Examiner* — Katie S Mroczka

(22) Filed: **Aug. 18, 2014**

(74) *Attorney, Agent, or Firm* — Jones Walker LLP

(51) **LOC (10) Cl.** ..... **08-07**

(52) **U.S. Cl.**  
USPC ..... **D14/452**

(57) **CLAIM**

We claim the ornamental design for a height adjustable workstation, as shown and described.

(58) **Field of Classification Search**

**DESCRIPTION**

USPC ..... D14/371–382, 125–129, 336, 337, 448, D14/450–452, 492, 335, 447, 239; 341/12; 345/104, 156, 168, 173; 348/180, 184, 348/325, 739, 825; 349/1, 2, 11, 62; 361/679.02, 679.04–679.07, 679.09, 361/679.21, 679.22, 679.26, 679.3; D8/349, 354, 363, 373, 376, 380, 72; 248/519, 534, 541, 58, 125.8, 127, 248/131, 133, 139, 176.1, 176.3, 188.5, 248/279.1, 333, 917–924; 379/454, 455; 312/223.3; D16/208, 235, 242; D6/300, 567

FIG. 1 is a front perspective view of a height adjustable workstation according to the present invention;  
 FIG. 2 is a front view of the height adjustable workstation of FIG. 1;  
 FIG. 3 is a rear view of the height adjustable workstation of FIG. 1;  
 FIG. 4 is a right side view of the height adjustable workstation of FIG. 1;  
 FIG. 5 is a left side view of the height adjustable workstation of FIG. 1;  
 FIG. 6 is a top view of the height adjustable workstation of FIG. 1; and,  
 FIG. 7 is a bottom view of the height adjustable workstation of FIG. 1.

The broken lines shown in the drawings illustrate portions of the height adjustable workstation and form no part of the claimed design.

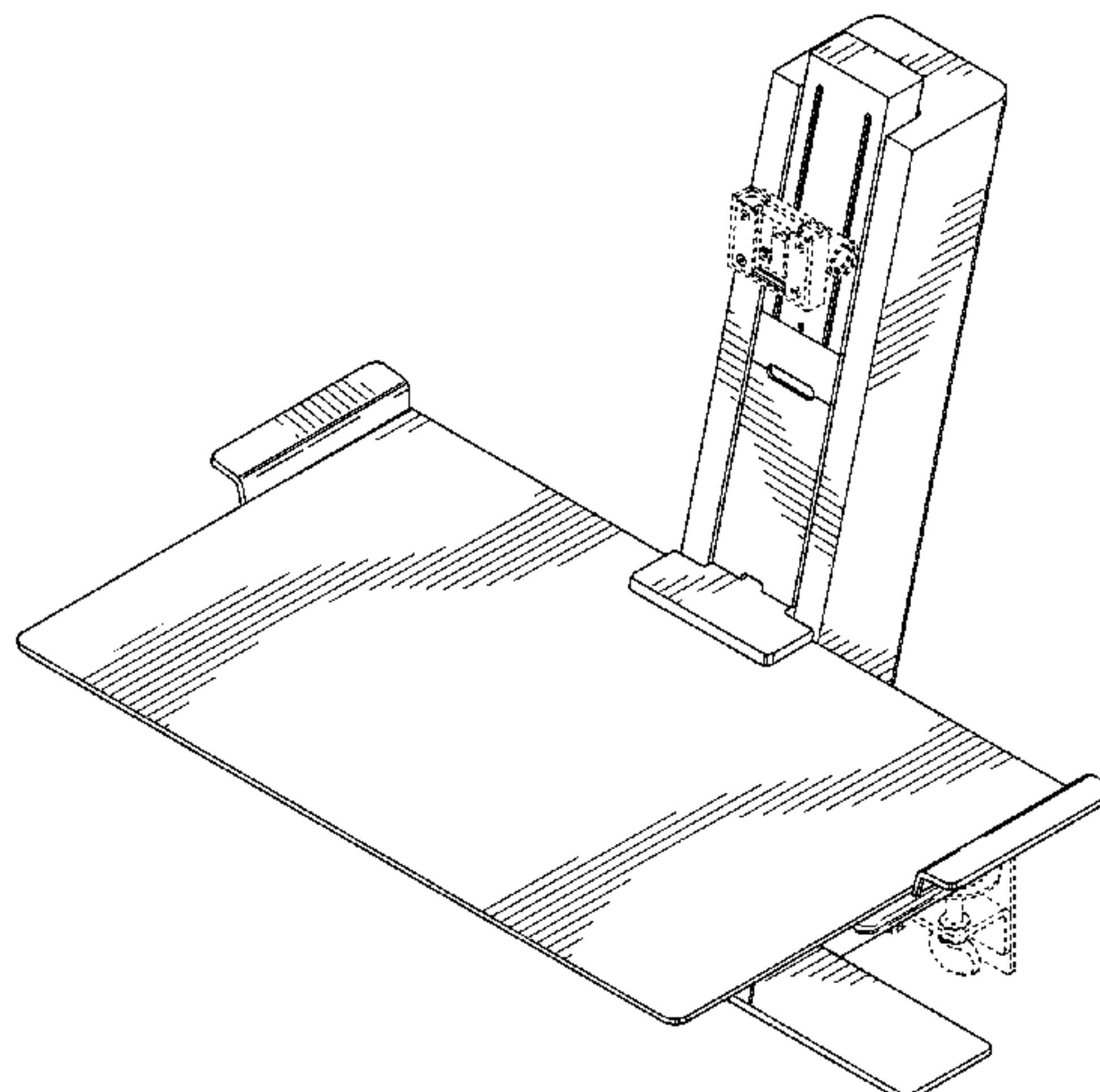
See application file for complete search history.

(56) **References Cited**

**1 Claim, 7 Drawing Sheets**

U.S. PATENT DOCUMENTS

4,844,387 A 7/1989 Sorgi et al.  
 5,437,235 A 8/1995 Randolph  
 D390,713 S \* 2/1998 Chen ..... D6/367  
 5,751,548 A 5/1998 Hall et al.



(56)

References Cited

U.S. PATENT DOCUMENTS

6,170,408 B1 1/2001 Gombrich  
 6,189,849 B1 2/2001 Sweere et al.  
 6,332,407 B1 12/2001 Vardaro  
 6,374,752 B1 4/2002 Walser  
 6,514,145 B1 2/2003 Kawabata et al.  
 6,585,214 B1 7/2003 Dittmer  
 6,592,090 B1 7/2003 Li  
 D487,805 S \* 3/2004 Kondo ..... D24/158  
 D495,163 S \* 8/2004 Weatherly ..... D6/675.1  
 D517,336 S \* 3/2006 Engelstad ..... D6/367  
 7,178,469 B2 2/2007 Goza  
 7,195,213 B2 3/2007 Weatherly  
 D576,427 S \* 9/2008 Stebbens ..... D6/675.1  
 7,677,518 B2 3/2010 Chouinard et al.  
 7,690,317 B2 4/2010 Beck et al.  
 8,181,920 B2 5/2012 Brown  
 D671,338 S \* 11/2012 Sexton ..... D6/675.1  
 D677,078 S \* 3/2013 Lambright ..... D6/675.3  
 D709,896 S \* 7/2014 McKinstry ..... D14/447  
 D710,013 S \* 7/2014 Li ..... D24/158  
 D712,906 S \* 9/2014 Wengreen ..... D14/451  
 8,826,831 B2 9/2014 Hazzard et al.  
 8,839,723 B2 9/2014 Hazzard et al.  
 D715,938 S \* 10/2014 Li ..... D24/158

2005/0029850 A1\* 2/2005 Ponticelli ..... A47C 1/023  
 297/337  
 2007/0145203 A1 6/2007 Takada et al.  
 2008/0026892 A1 1/2008 Asamarai et al.  
 2008/0232059 A1\* 9/2008 Allen ..... E05B 73/0082  
 361/679.03  
 2009/0179121 A1 7/2009 Lindblad et al.  
 2011/0233350 A1 9/2011 Burgess et al.  
 2012/0119040 A1 5/2012 Ergun et al.  
 2012/0187056 A1 7/2012 Hazzard et al.  
 2012/0187256 A1 7/2012 Ergun et al.  
 2012/0248263 A1 10/2012 Grotenhuis  
 2013/0126682 A1 5/2013 Tholkes et al.  
 2014/0137773 A1 5/2014 Mandel et al.

FOREIGN PATENT DOCUMENTS

DE 20021793 U1 3/2001  
 DE 19836603 C2 11/2002  
 DE 10228341 A1 1/2003  
 DE 202009015569 U1 4/2010  
 EP 0481159 A1 4/1992  
 WO 2004079699 A1 9/2004  
 WO 2011060223 A1 5/2011  
 WO 2011071856 A2 6/2011  
 WO 2012015821 A1 2/2012  
 WO 2012015822 A1 2/2012

\* cited by examiner

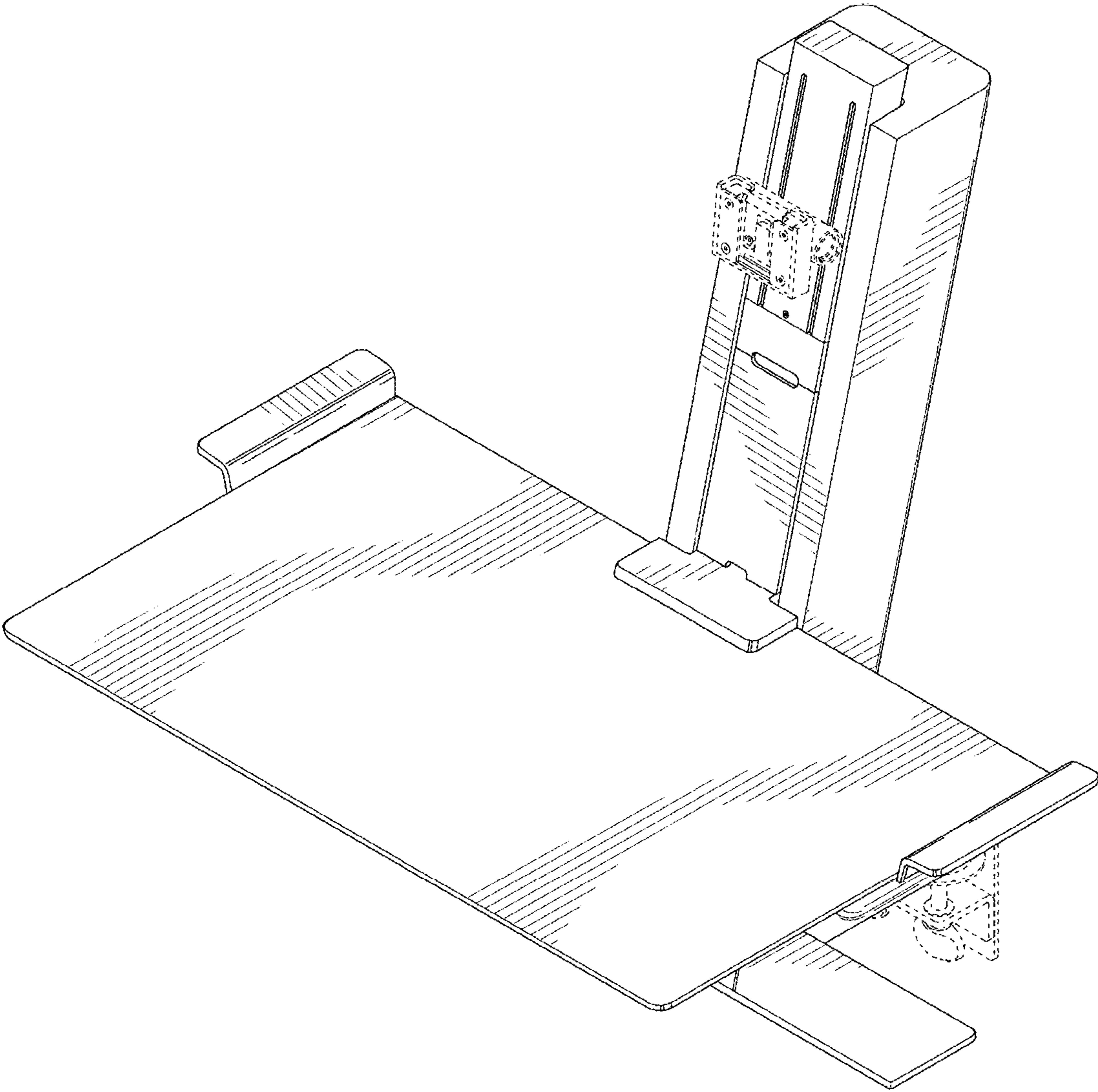


FIG. 1

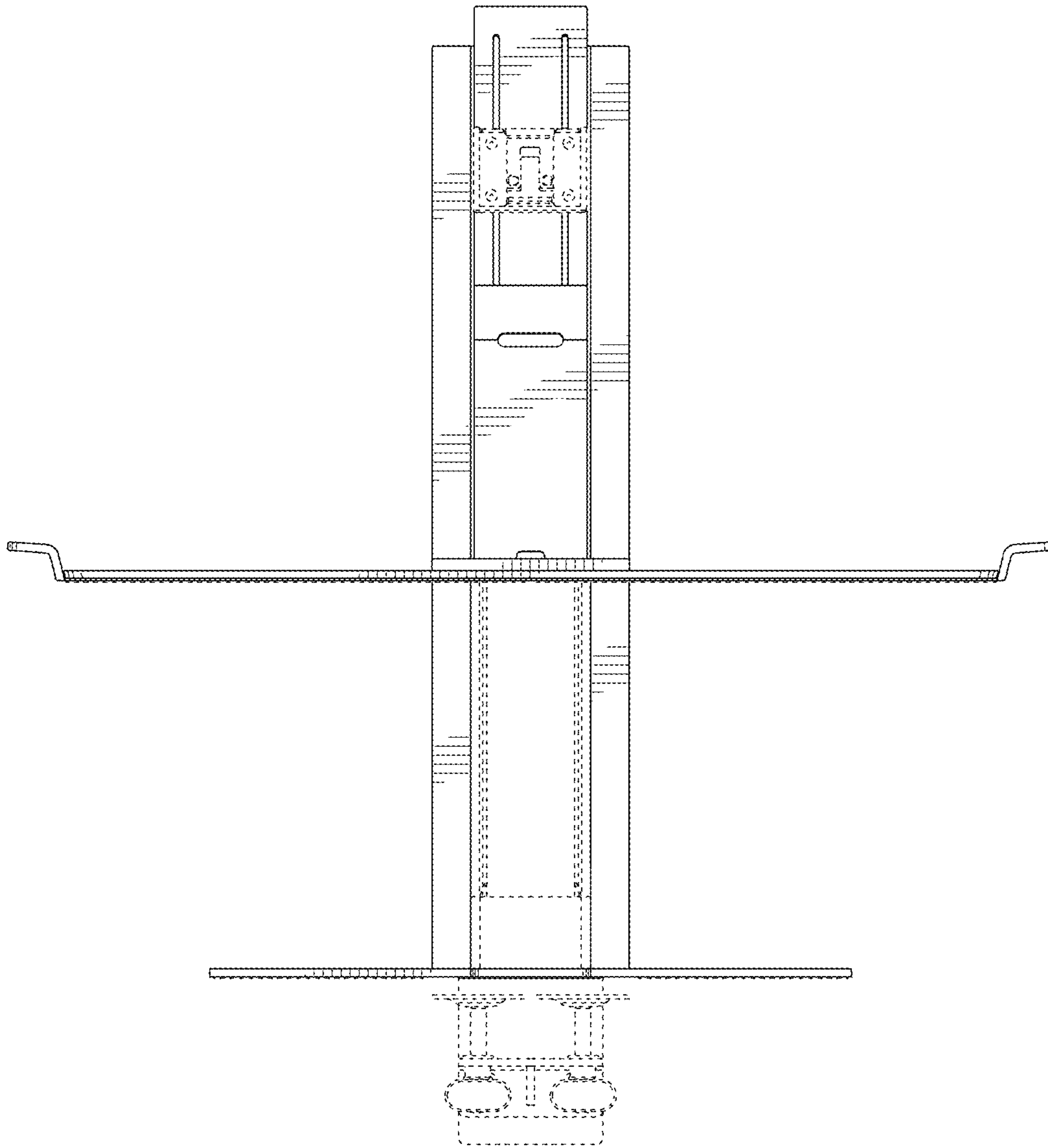
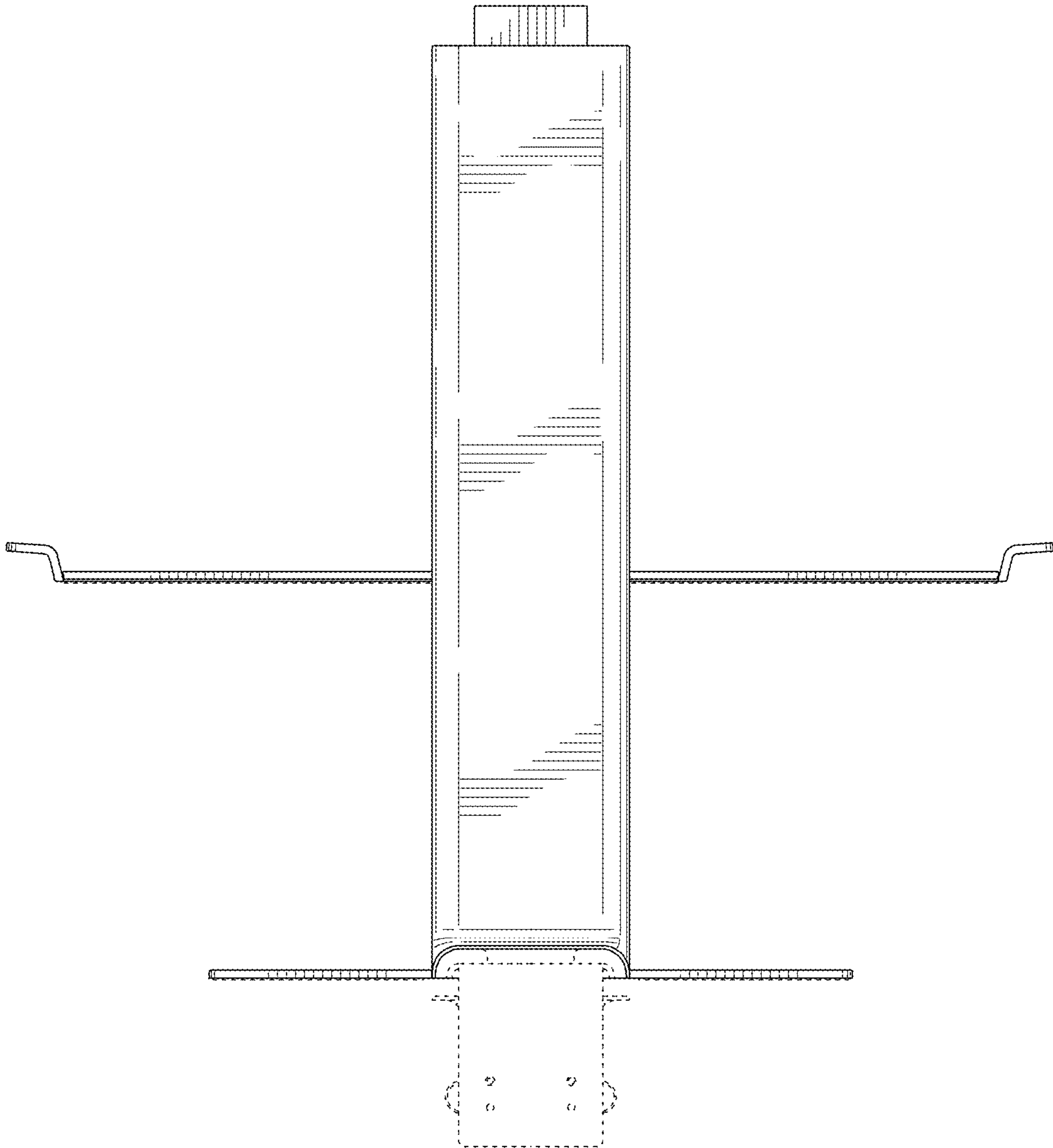


FIG. 2



**FIG. 3**



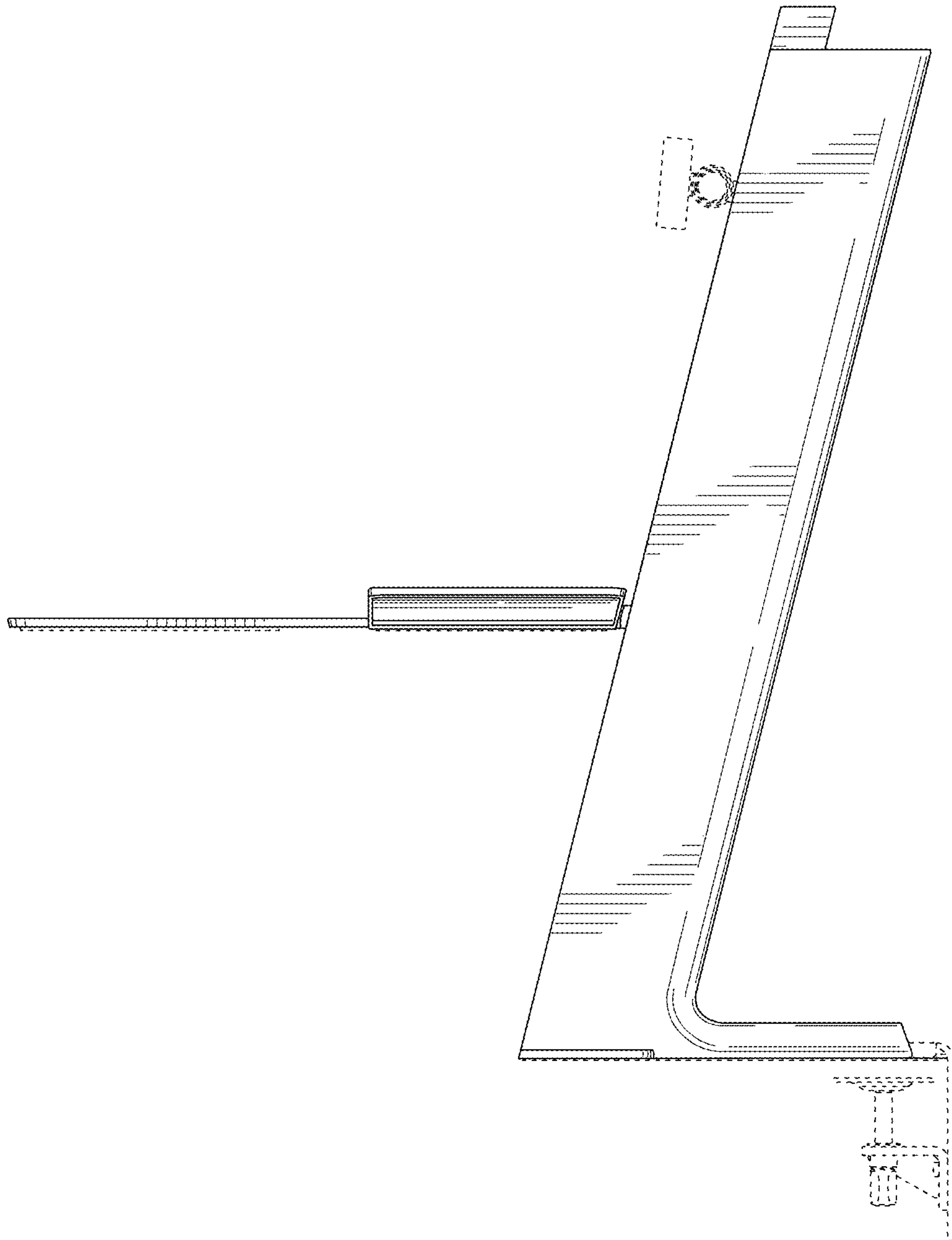


FIG. 4

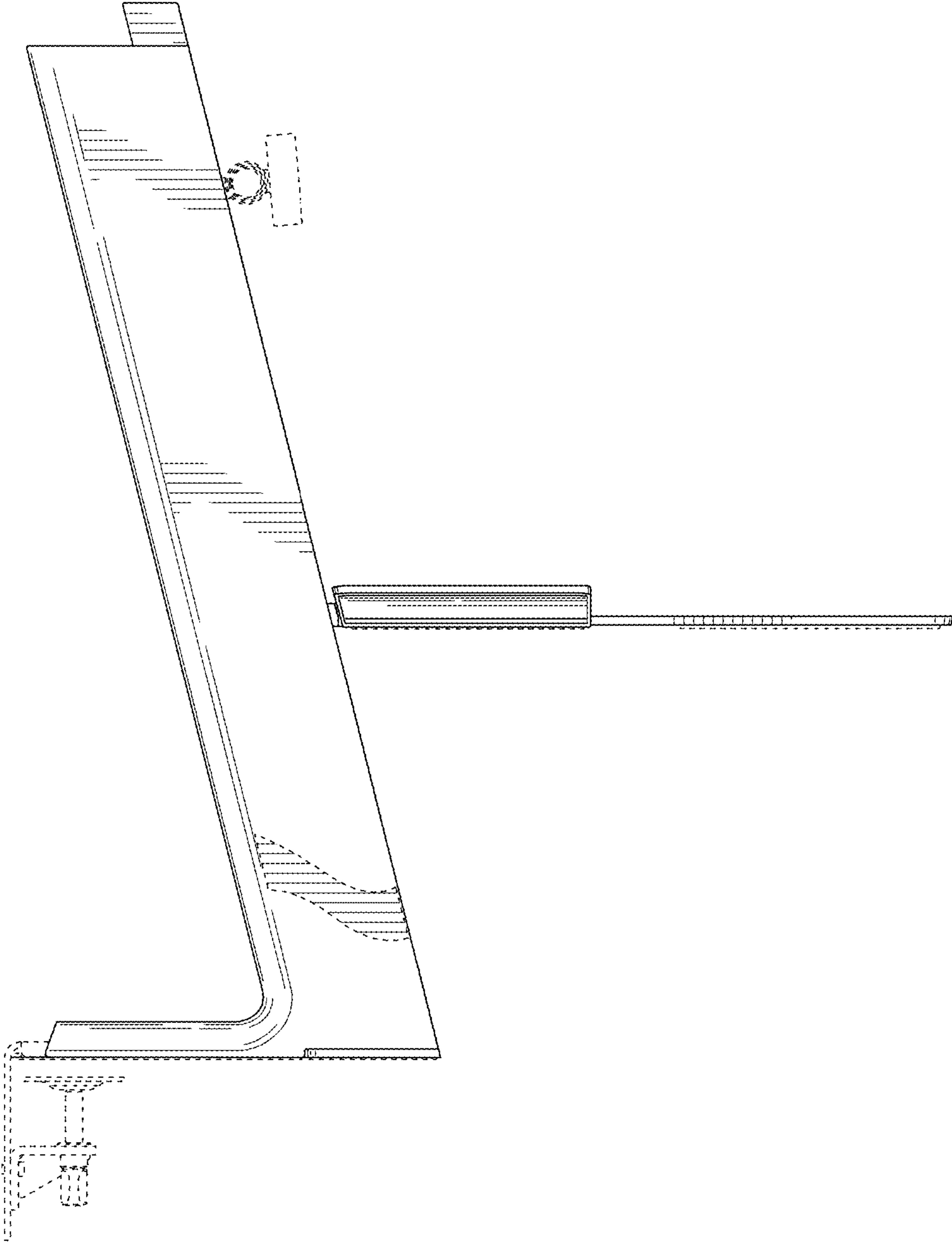
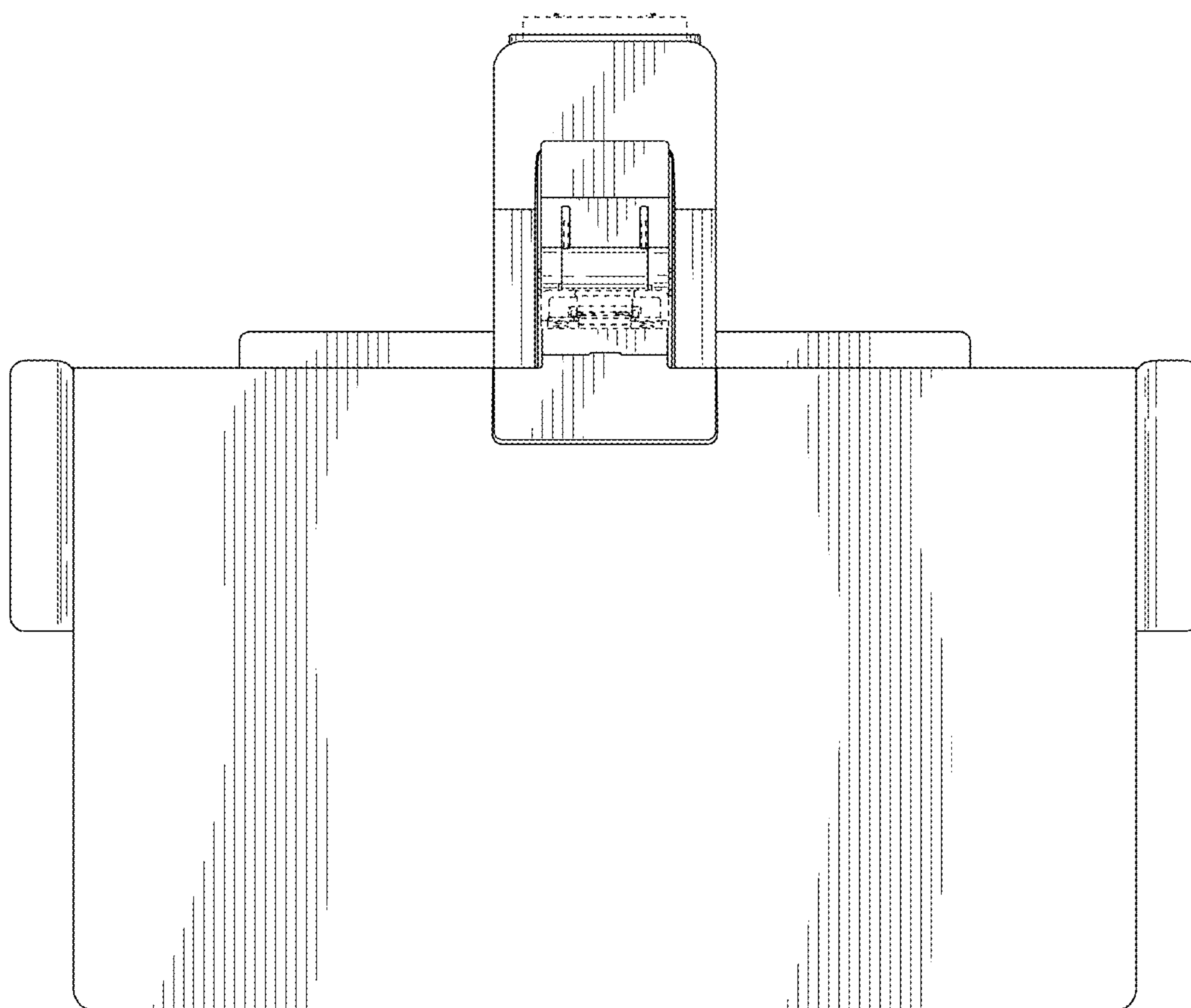
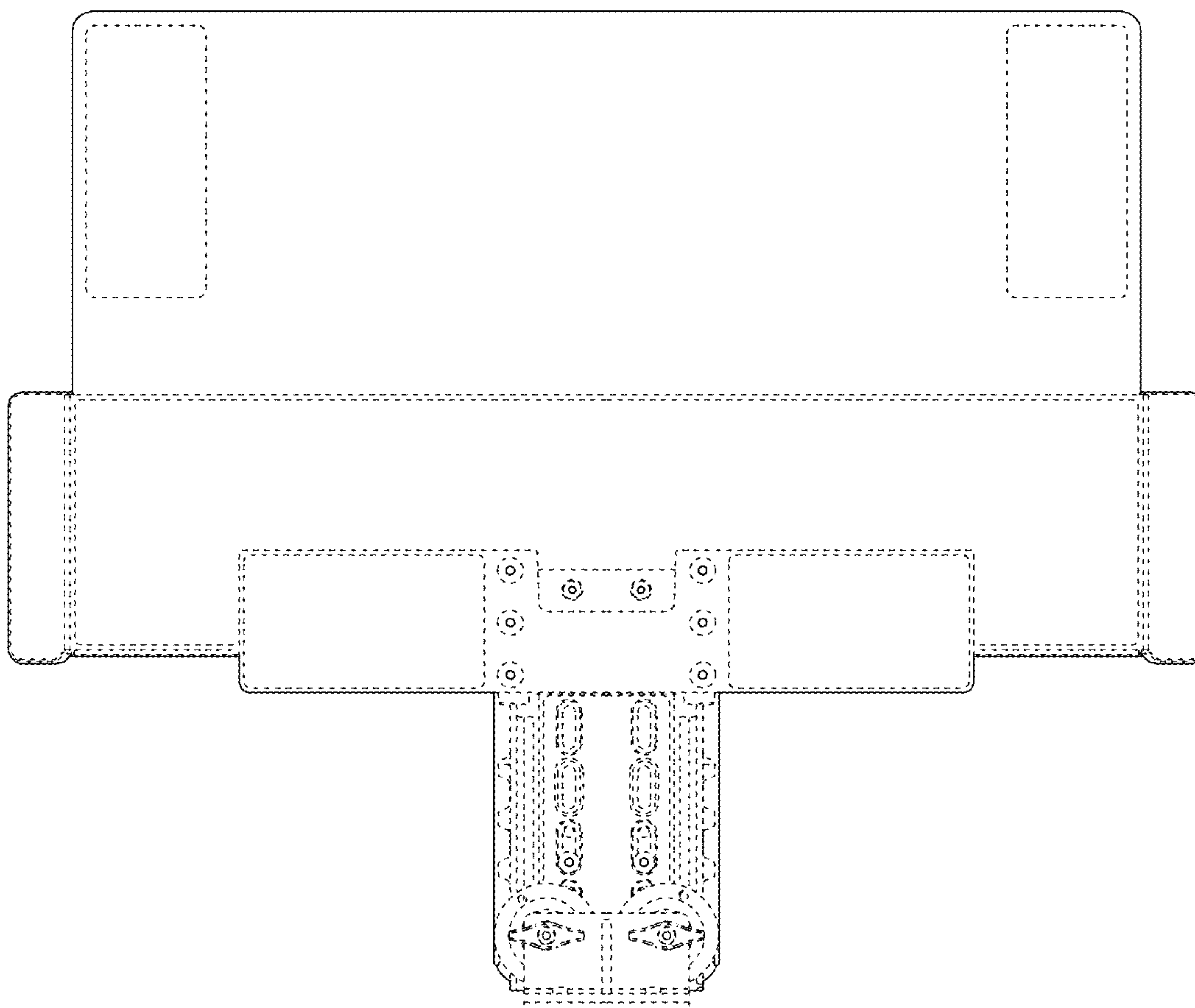


FIG. 5



**FIG. 6**





**FIG. 7**