

US00D769880S

(12) **United States Design Patent** (10) **Patent No.:** **US D769,880 S**  
**Moore et al.** (45) **Date of Patent:** **\*\* Oct. 25, 2016**

(54) **MULTI-POSITION TABLET COMPUTER CASE**

(71) Applicant: **Amazon Technologies, Inc.**, Seattle, WA (US)

(72) Inventors: **Jesse Wheeler Moore**, Oakland, CA (US); **Monica Liane Mecchella**, San Francisco, CA (US); **Christopher Green**, San Francisco, CA (US)

(73) Assignee: **Amazon Technologies, Inc.**, Seattle, WA (US)

(\*\*) Term: **15 Years**

(21) Appl. No.: **29/537,622**

(22) Filed: **Aug. 27, 2015**

(51) **LOC (10) Cl.** ..... **14-02**

(52) **U.S. Cl.**  
USPC ..... **D14/440**

(58) **Field of Classification Search**  
USPC ..... D14/250, 440, 447; 206/45.23, 320, 206/45.2; 361/679.55; 294/25; 224/218; 1/1  
CPC .. G06F 1/1628; G06F 1/1613; G06F 1/1626; A47B 23/044

See application file for complete search history.

(56) **References Cited**

**U.S. PATENT DOCUMENTS**

D356,120 S *	3/1995	Allen	.....	D21/335
D364,191 S *	11/1995	Allen	.....	D21/335
D467,429 S *	12/2002	Bone	.....	D3/294
D643,433 S *	8/2011	Hsieh	.....	D14/440
D658,188 S *	4/2012	Diebel	.....	D14/440
D663,304 S *	7/2012	Akana	.....	D14/440
D672,781 S *	12/2012	Lu	.....	D14/440
D676,448 S *	2/2013	Gorman	.....	D14/440
D676,449 S *	2/2013	Probst	.....	D14/440
D678,260 S *	3/2013	Bau	.....	D14/132
D679,279 S *	4/2013	Yang	.....	D14/440
D679,715 S *	4/2013	Akana	.....	D14/440
D681,641 S *	5/2013	Van Den Nieuwenhuizen	.....	D14/440

D687,438 S *	8/2013	Lu	.....	D14/440
D691,142 S *	10/2013	Diebel	.....	D14/440
D696,253 S *	12/2013	Akana	.....	D14/345
D696,669 S *	12/2013	Akana	.....	D14/440
D707,229 S *	6/2014	Almodova	.....	D14/440
D713,848 S *	9/2014	Akana	.....	D14/440
D714,791 S *	10/2014	Liu	.....	D14/440

(Continued)

**OTHER PUBLICATIONS**

Indian First Examination Report mailed Jun. 15, 2016 for Indian design application No. 280902, a counterpart foreign application of design U.S. Appl. No. 29/537,622, 18 pages.

*Primary Examiner* — Cynthia Underwood

(74) *Attorney, Agent, or Firm* — Lee & Hayes, PLLC

(57) **CLAIM**

The ornamental design for a multi-position tablet computer case, as shown and described.

**DESCRIPTION**

FIG. 1 is a top view of a multi-position tablet computer case in a first position.

FIG. 2 is a bottom view of the multi-position tablet computer case in the first position.

FIG. 3 is a right side view of the multi-position tablet computer case in the first position.

FIG. 4 is a left side view of the multi-position tablet computer case in the first position.

FIG. 5 is a back view of the multi-position tablet computer case in the first position.

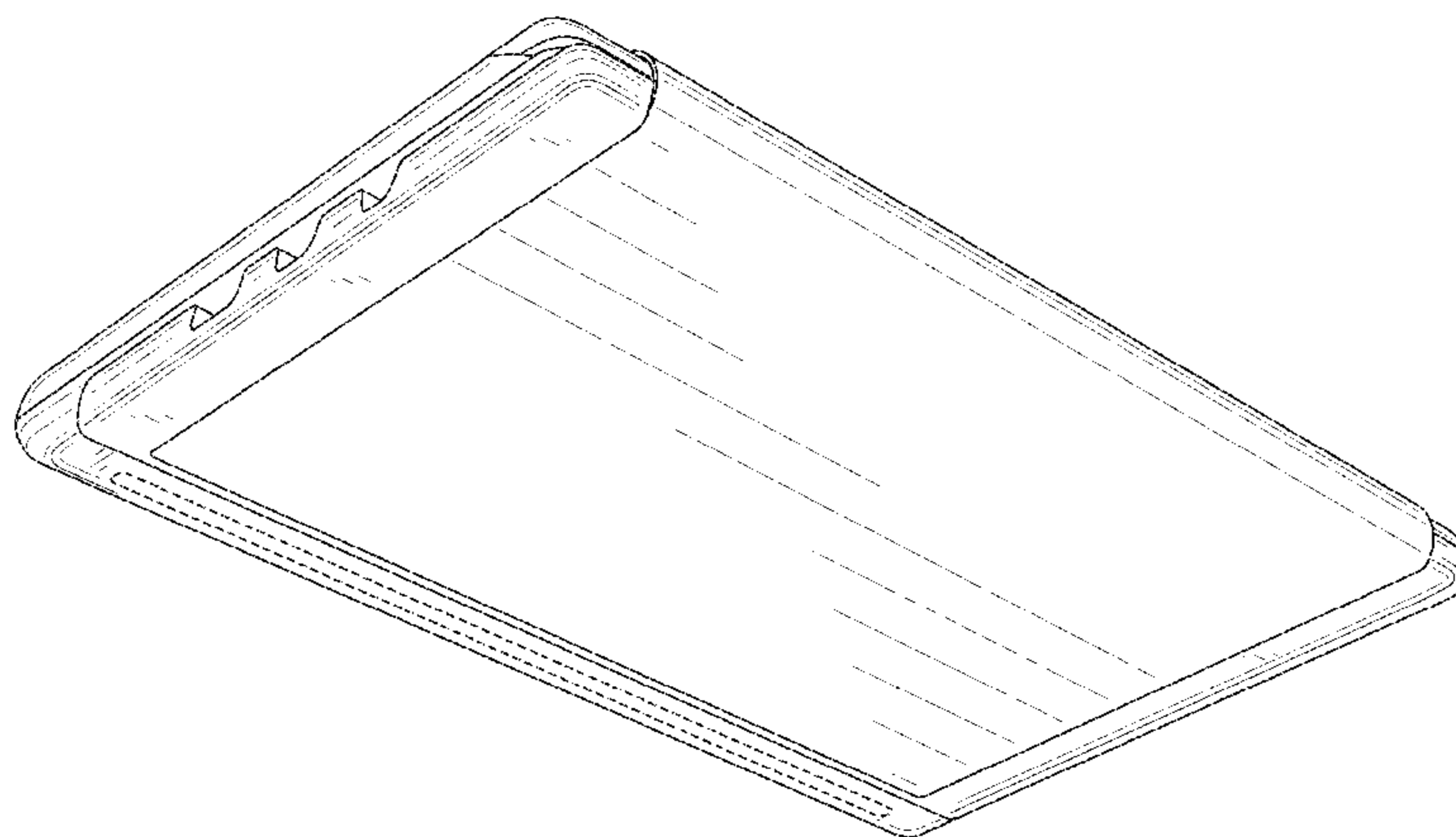
FIG. 6 is a front view of the multi-position tablet computer case in the first position.

FIG. 7 is a top, perspective view of the multi-position tablet computer case in the first position; and,

FIG. 8 is a bottom perspective view of the multi-position tablet computer case in the first position.

The broken lines in the drawings depict environmental subject matter and/or parts of the multi-position tablet computer case only and form no part of the claimed design.

**1 Claim, 6 Drawing Sheets**



# US D769,880 S

Page 2

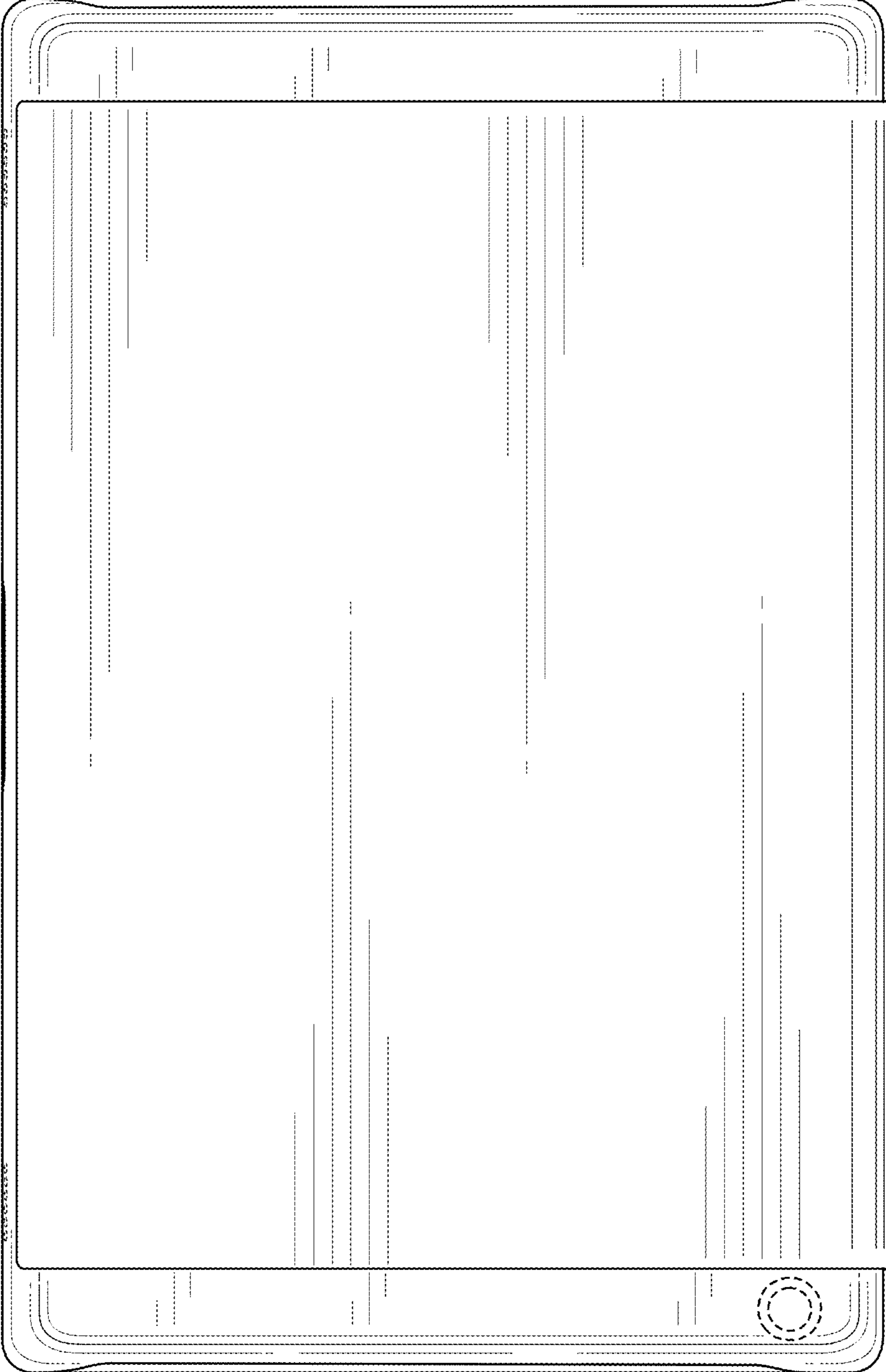
(56)

## References Cited

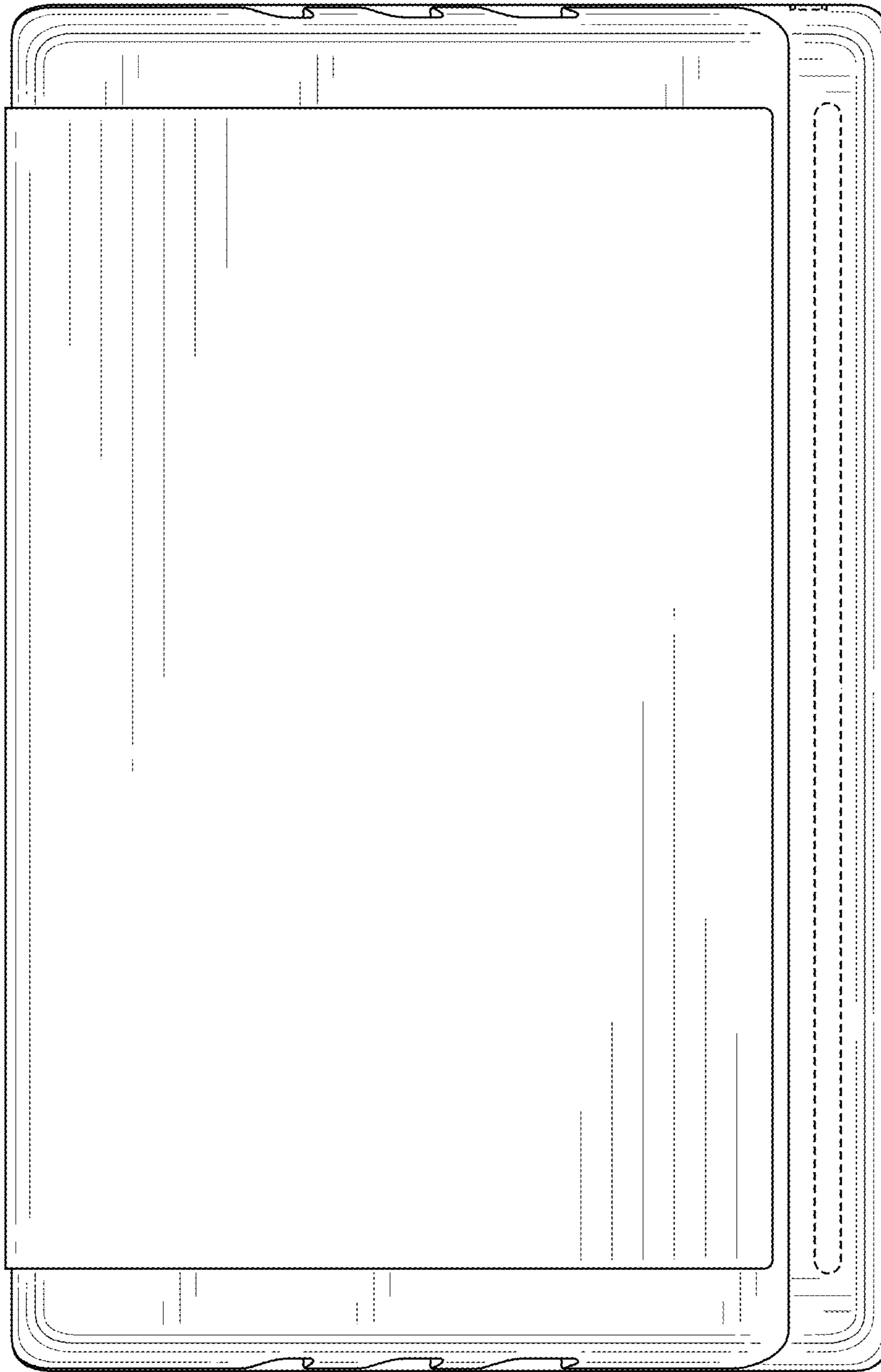
### U.S. PATENT DOCUMENTS

D726,731 S *	4/2015	Kim	.....	D14/440	2009/0107858 A1*	4/2009	Huang	.....	A45C 9/00
D753,123 S *	4/2016	Probst	.....	D14/440					206/214
2006/0007645 A1*	1/2006	Chen	.....	G06F 1/1626	2013/0020216 A1*	1/2013	Chiou	.....	G06F 1/1626
				361/679.04					206/320
2008/0194139 A1*	8/2008	Chan	.....	G06F 1/1613	2013/0048520 A1*	2/2013	Garrett	.....	A45F 5/00
				439/521					206/320
					2013/0233762 A1*	9/2013	Balaji	.....	B65D 25/00
									206/736

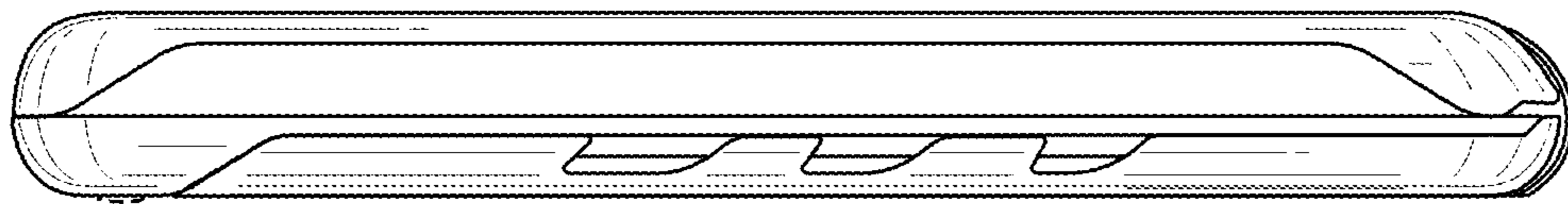
\* cited by examiner



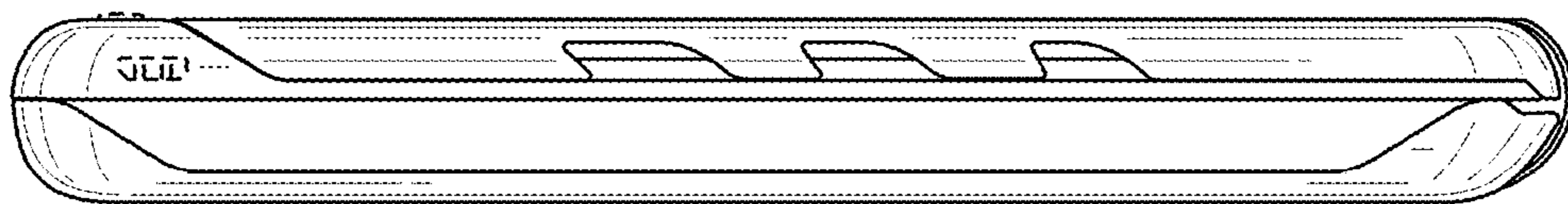
**FIG. 1**



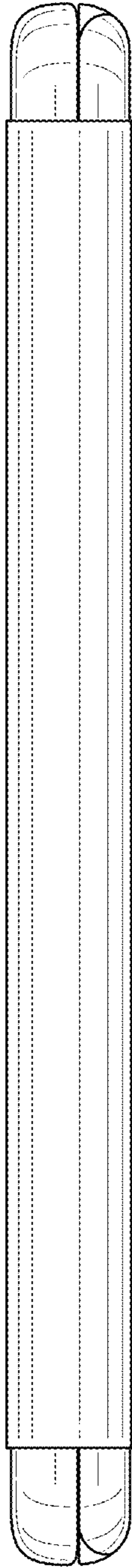
**FIG. 2**



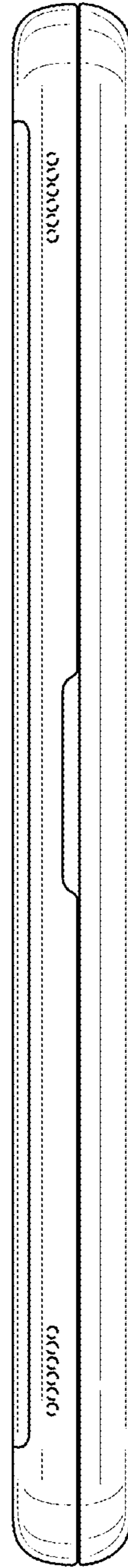
**FIG. 3**



**FIG. 4**

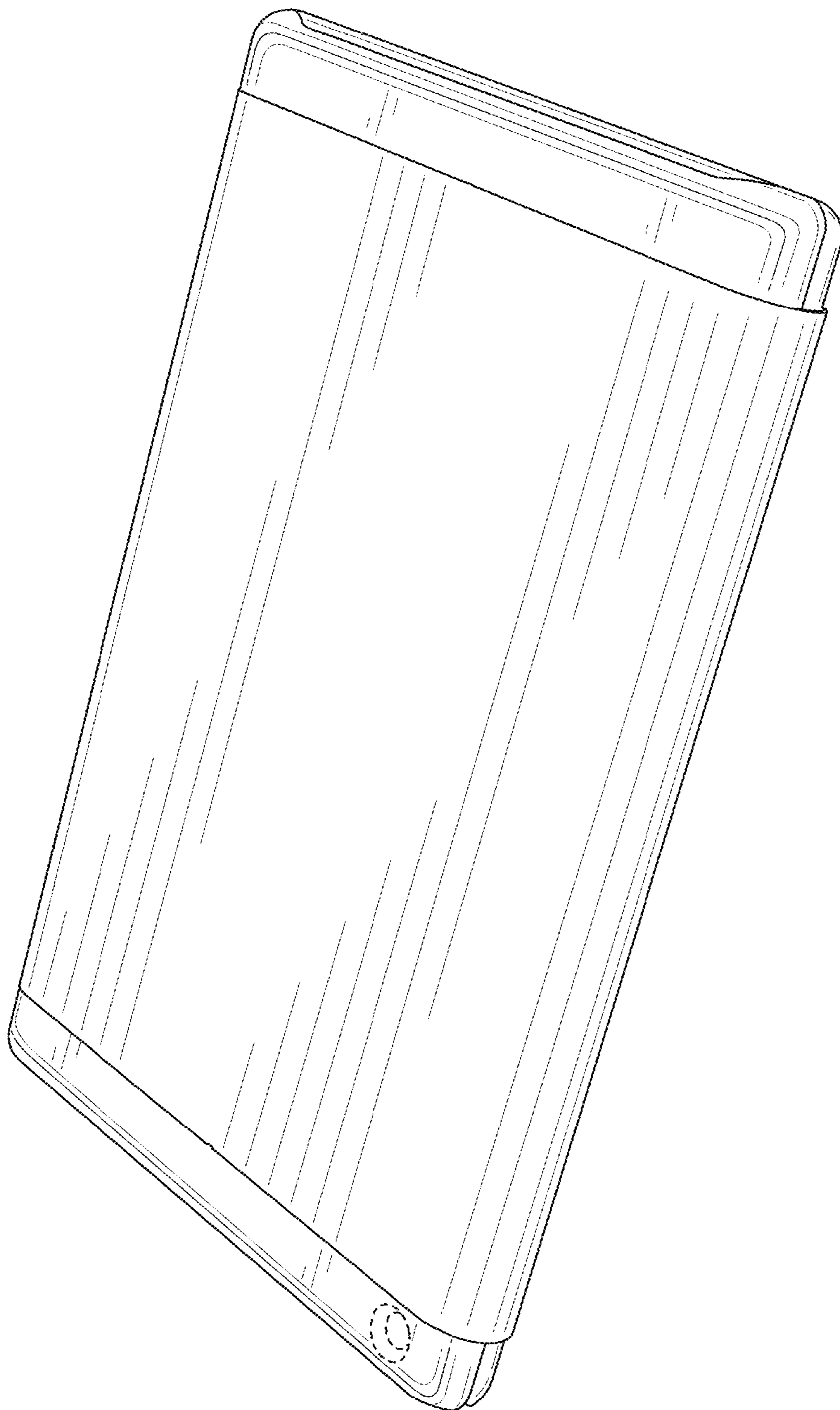


**FIG. 5**

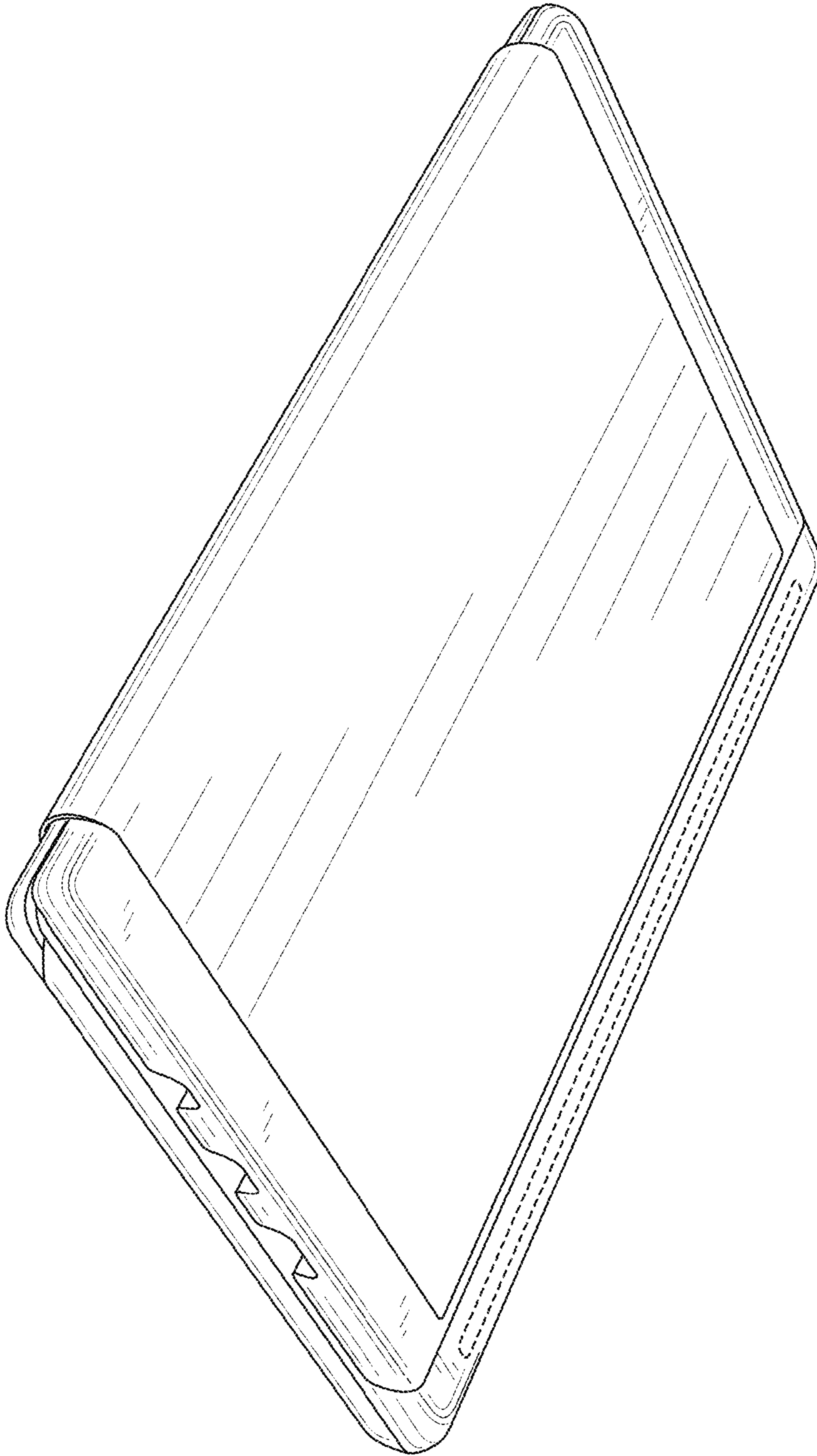


**FIG. 6**





**FIG. 7**



**FIG. 8**