



US00D769878S

(12) **United States Design Patent** (10) **Patent No.:** **US D769,878 S**
Fletcher et al. (45) **Date of Patent:** **** Oct. 25, 2016**

(54) **DOCKING STATION**
 (71) Applicant: **BlackBerry Limited**, Waterloo (CA)
 (72) Inventors: **Jodie Elizabeth Fletcher**, Ottawa (CA); **Leonardo Aldana**, Waterloo (CA); **Cortez Corley**, Waterloo (CA); **Joshua John Lavallee**, Breslau (CA)
 (73) Assignee: **BlackBerry Limited**, Waterloo, Ontario (CA)
 (**) Term: **15 Years**

(21) Appl. No.: **29/534,782**
 (22) Filed: **Jul. 31, 2015**
 (51) **LOC (10) Cl.** **14-02**
 (52) **U.S. Cl.**
 USPC **D14/434**
 (58) **Field of Classification Search**
 USPC D14/432-434, 314, 204, 420, 421, 447, D14/217, 358, 138 R, 140, 142, 253, 356; D13/107, 108, 146; D8/373; 248/346.03, 176.1; 361/679.41, 361/679.31, 679.32, 679.4, 679.43, 679.55, 361/679.58, 679.33; 320/107, 109, 320/112-115; 710/15, 303; 455/557; 439/347, 534
 CPC H02J 7/0042; H02J 7/00; H02J 7/025; H02J 7/0044; H02J 7/0045; H01R 31/065; H01R 13/6675; H01M 10/44; F16M 11/10; Y02E 60/12; Y02T 90/14; Y02T 90/122; Y02T 90/128; Y02T 90/163; H04M 1/04; G06F 1/1654; G06F 1/1632
 See application file for complete search history.

(56) **References Cited**
 U.S. PATENT DOCUMENTS
 5,327,067 A * 7/1994 Scholder H02J 7/0042 320/107
 D647,525 S * 10/2011 Seto D14/434
 D672,350 S * 12/2012 Gioscia D14/434

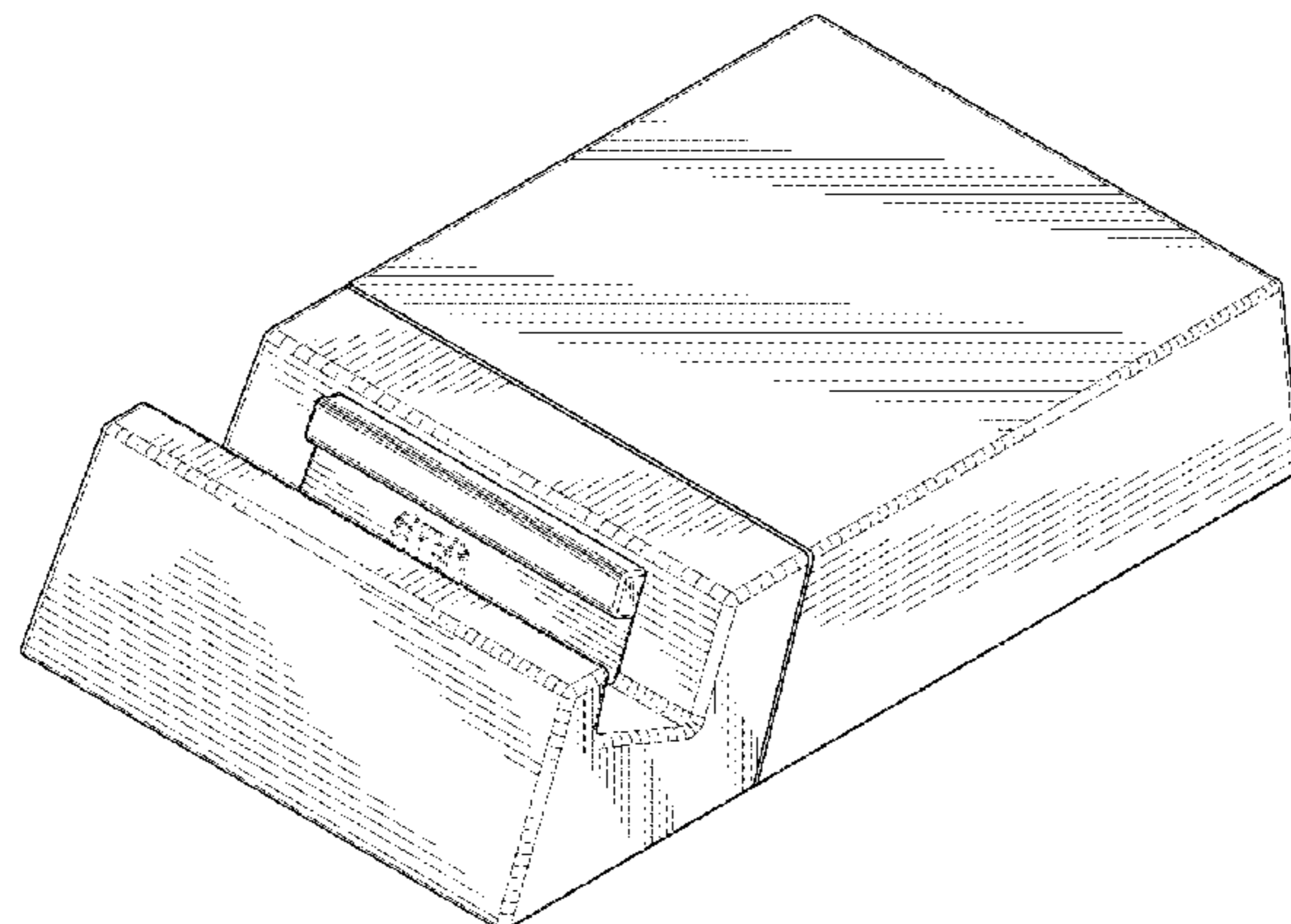
D704,633 S * 5/2014 Ryu D13/108
 D709,075 S * 7/2014 Miniard D14/447
 D726,187 S * 4/2015 Young D14/434
 2012/0001048 A1* 1/2012 Takahashi H04M 1/04 248/346.03

* cited by examiner
Primary Examiner — Freda S Nunn
 (74) *Attorney, Agent, or Firm* — Jon Gibbons; Fleit Gibbons Gutman Bongini & Bianco P.L.

(57) **CLAIM**
 The ornamental design for a docking station, as shown and described.

DESCRIPTION
 FIG. 1 is a top perspective view of the docking station; FIG. 2 is a bottom perspective view thereof; FIG. 3 is a front elevational view thereof; FIG. 4 is a rear elevational view thereof; FIG. 5 is a first side elevational view thereof; FIG. 6 is a second side elevational view thereof; FIG. 7 is a top plan view thereof; FIG. 8 is a bottom plan view thereof; FIG. 9 is a top perspective view of the front section thereof shown separately for clarity of illustration only; FIG. 10 is a front elevational view thereof; FIG. 11 is a first side elevational view thereof; FIG. 12 is a second side elevational view thereof; and, FIG. 13 is a top plan view thereof.
 Broken lines shown in the Figures form no part of the claimed design.

1 Claim, 10 Drawing Sheets



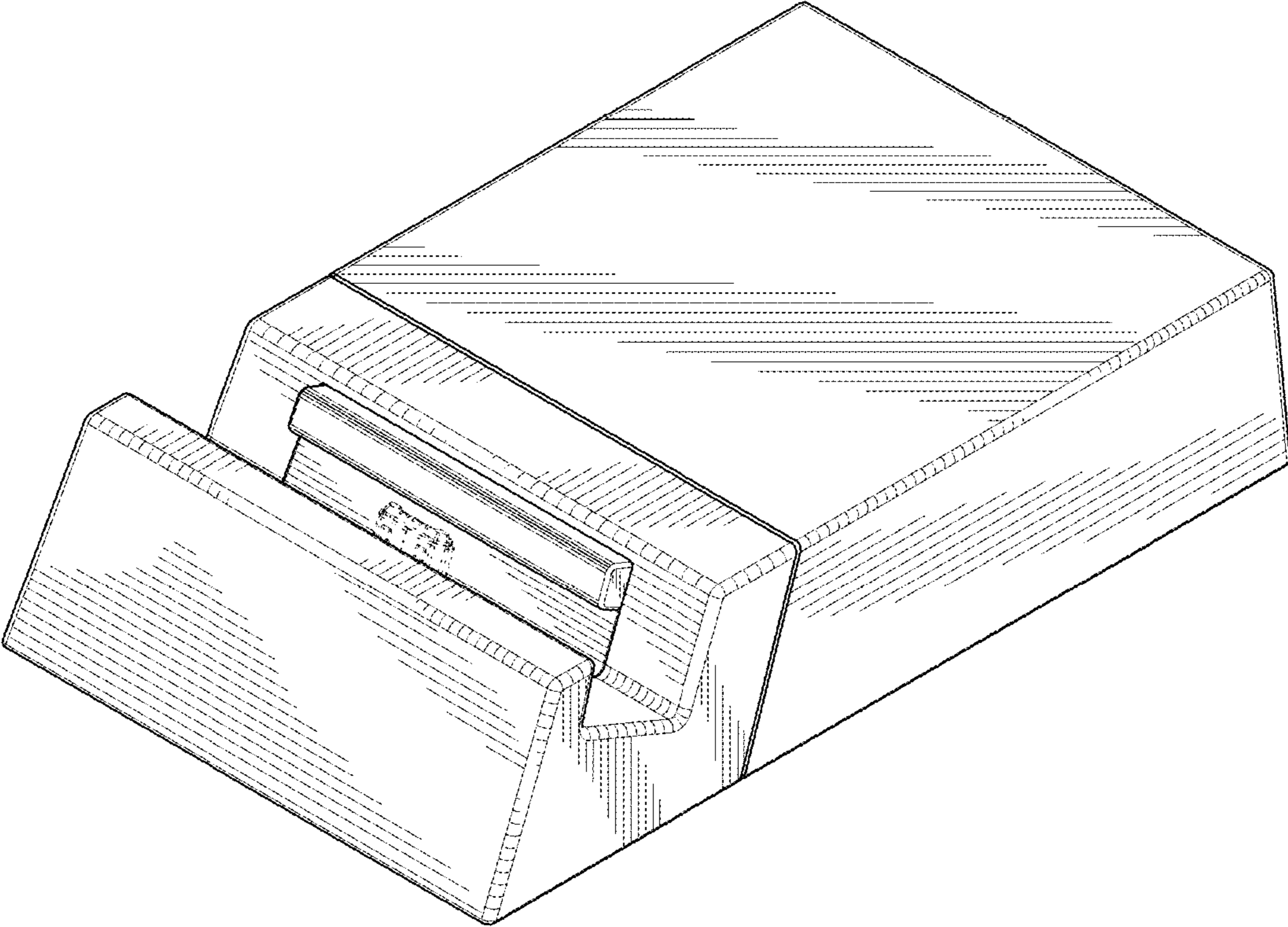


FIG.1

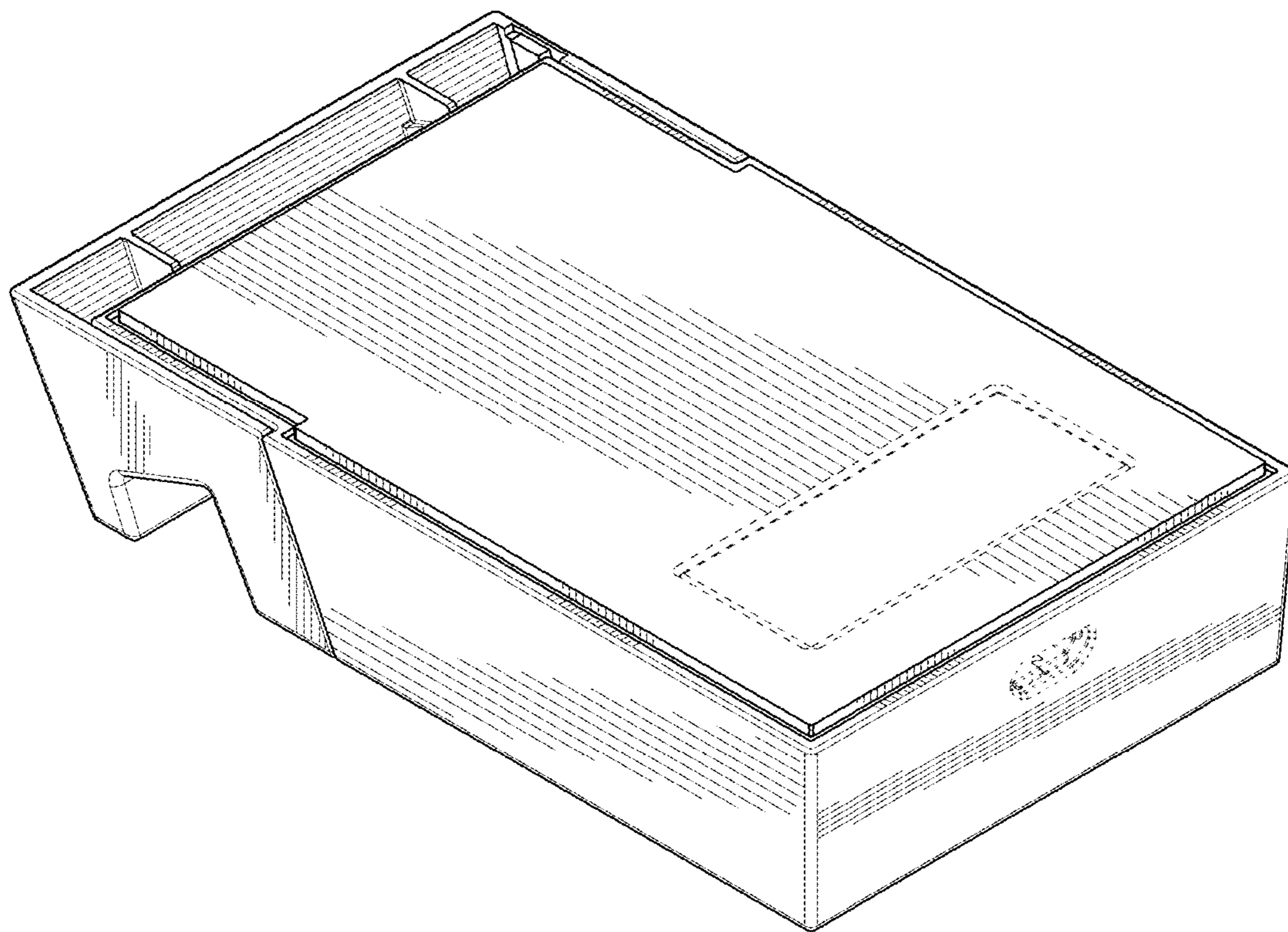


FIG.2

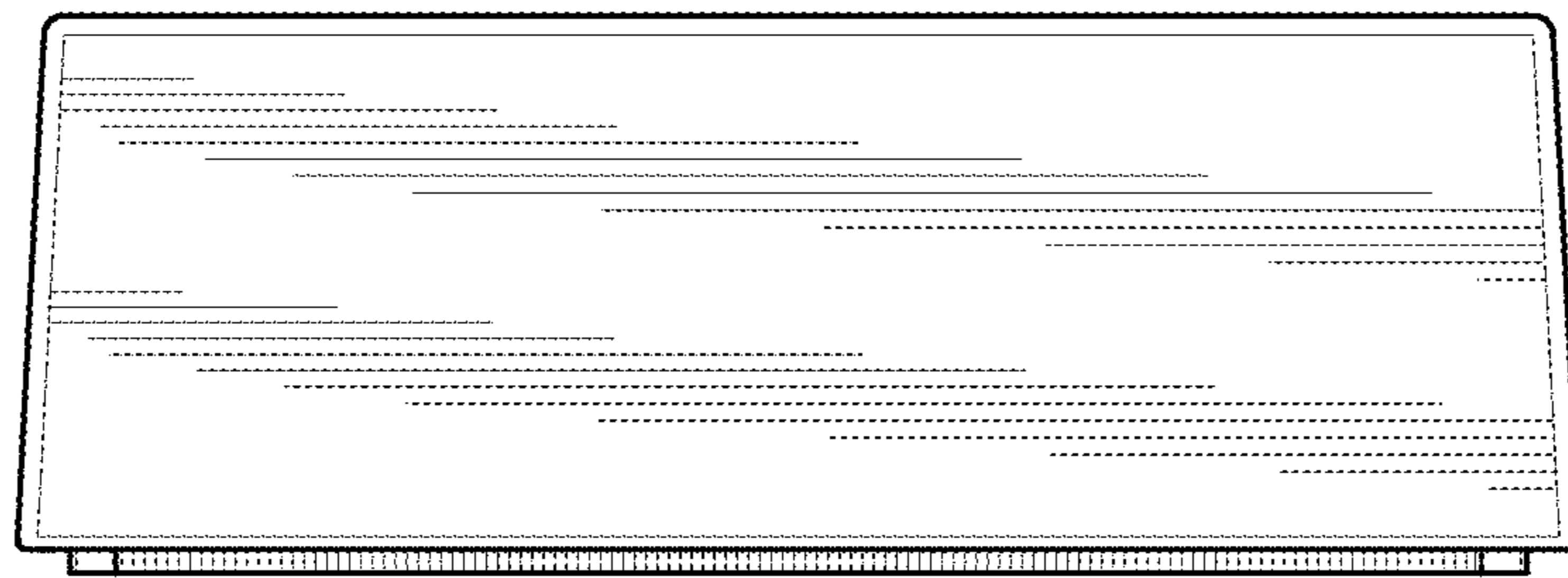


FIG.3

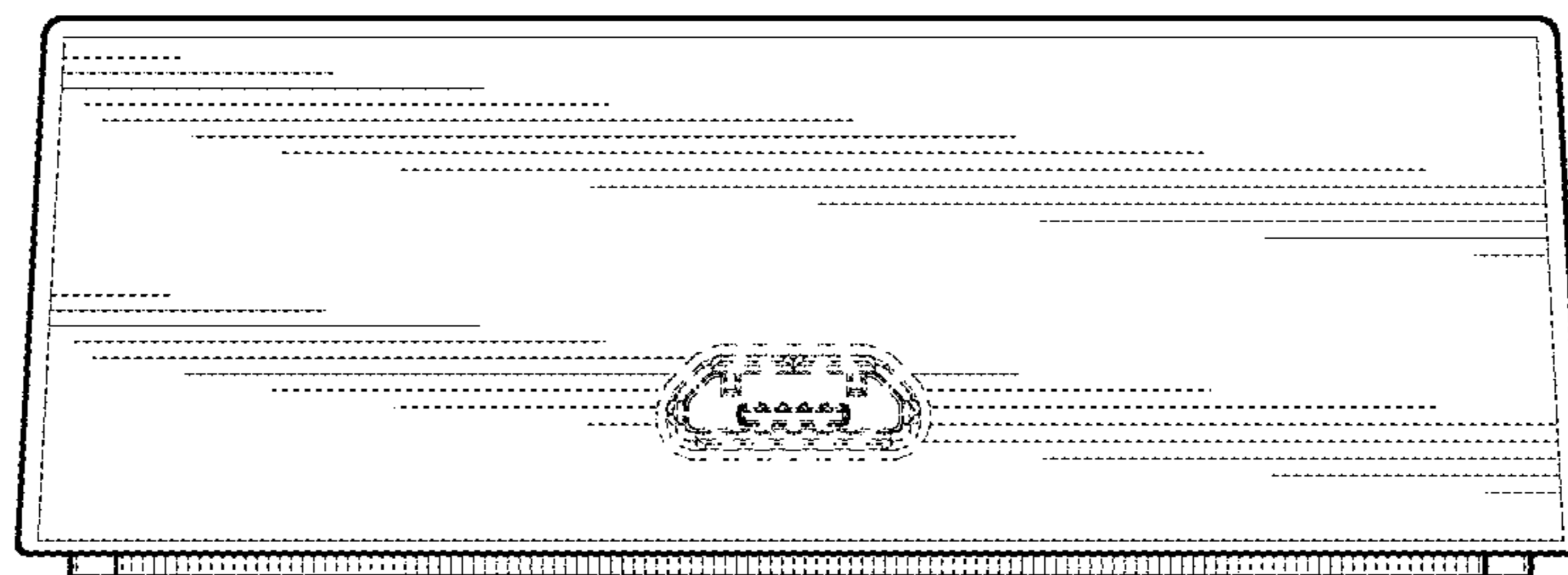


FIG.4

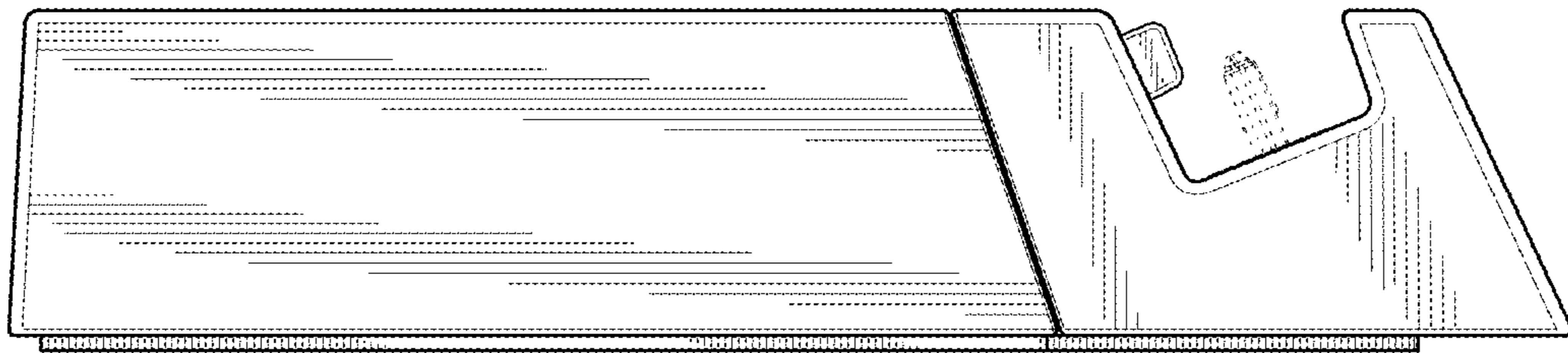


FIG. 5

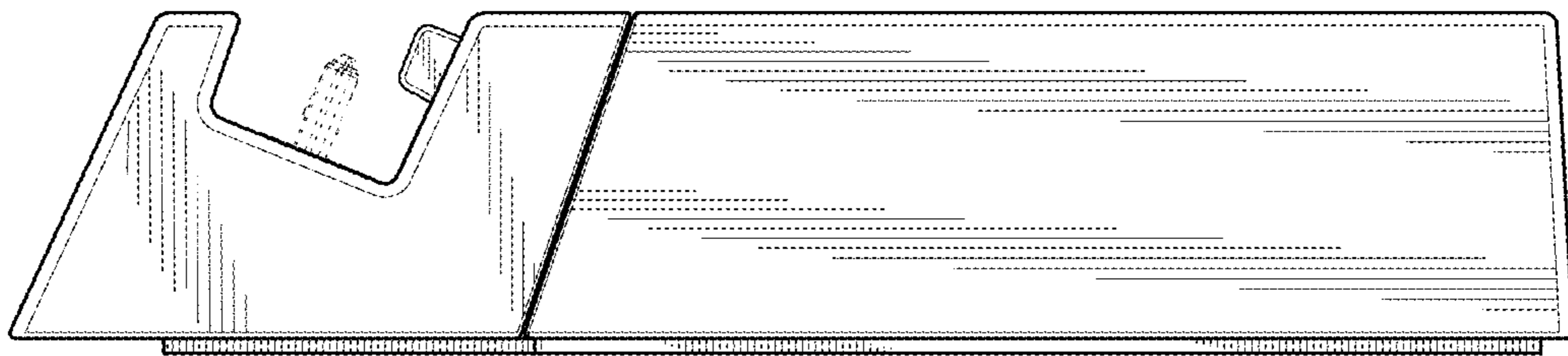


FIG. 6

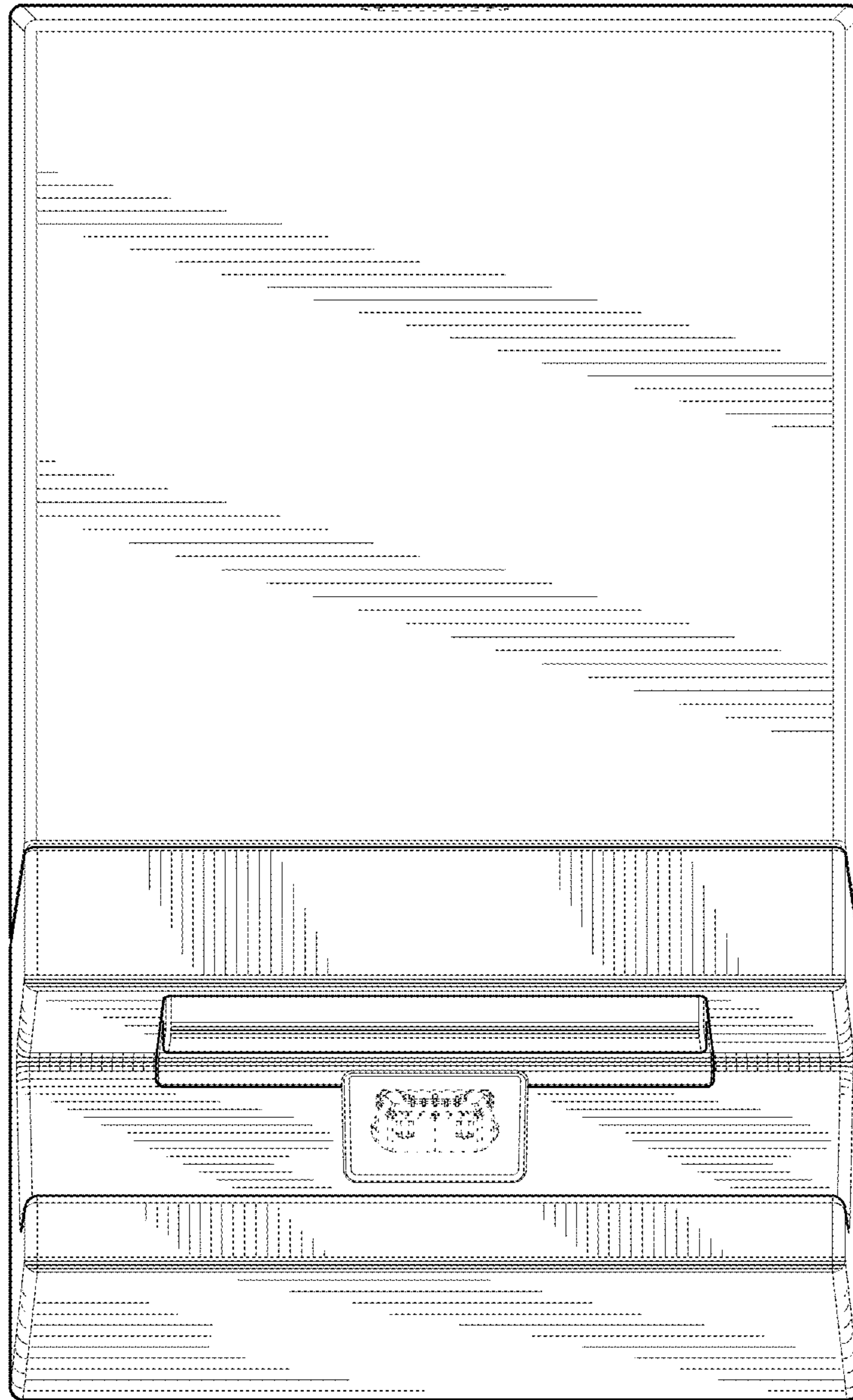


FIG.7

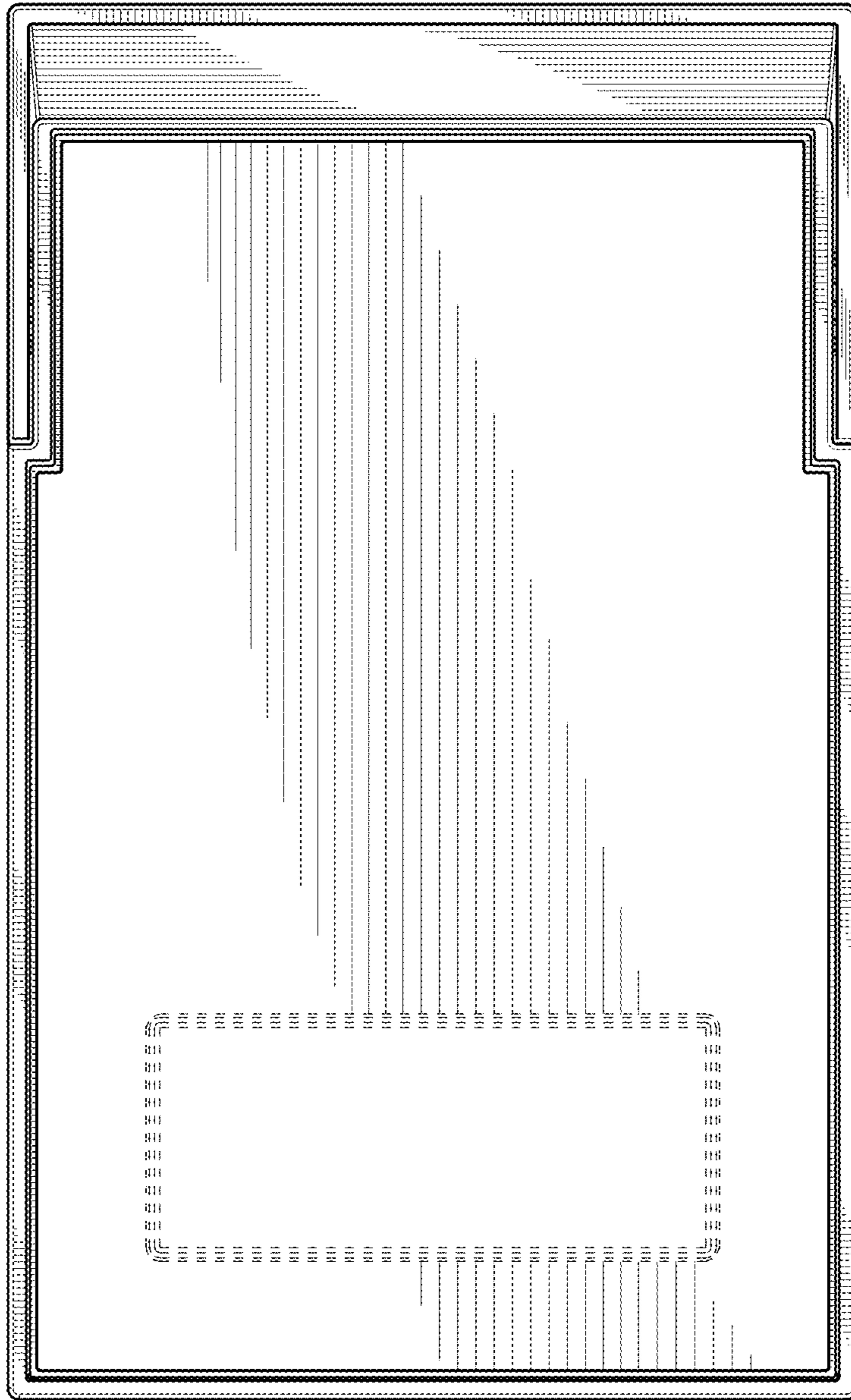


FIG.8

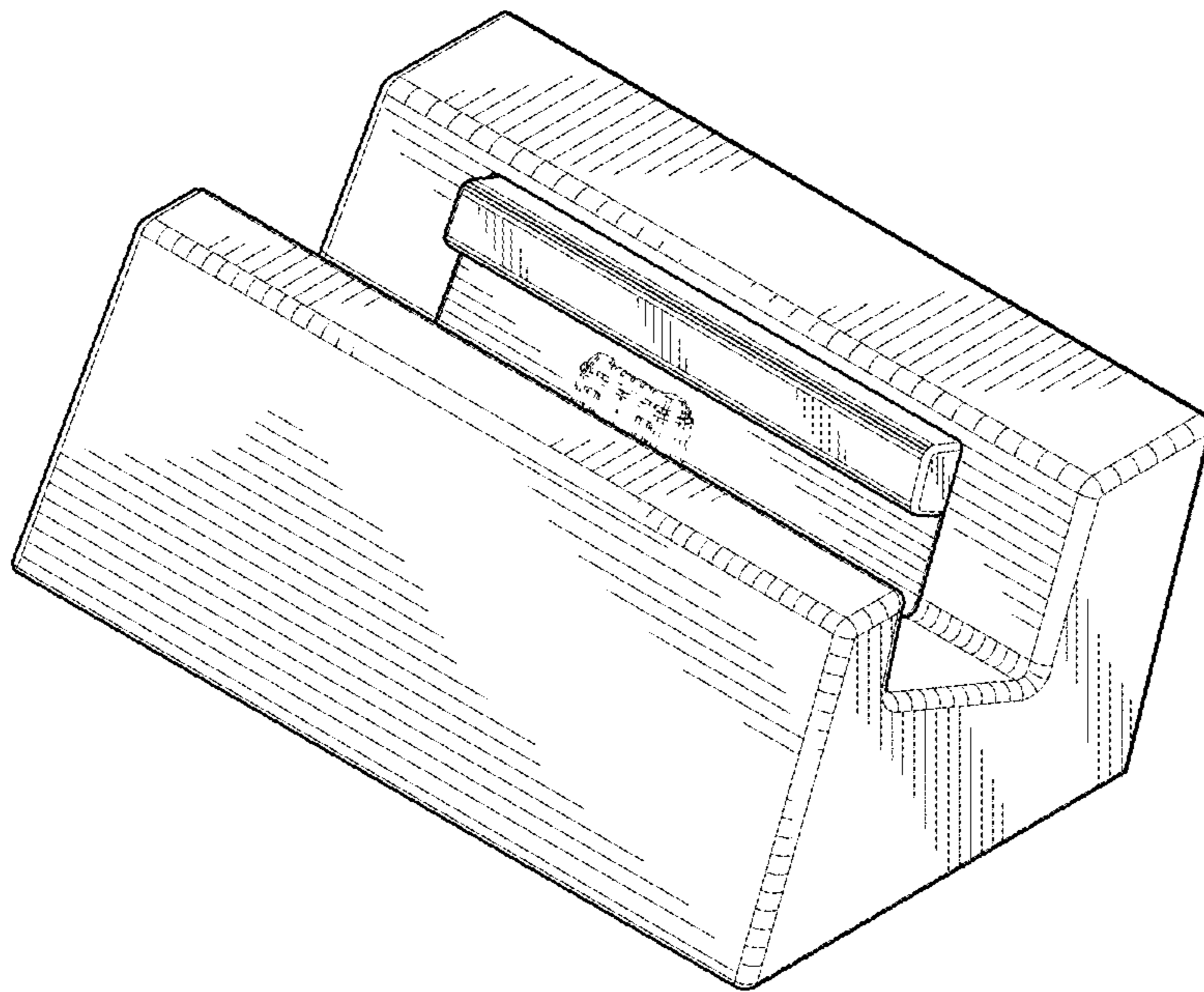


FIG.9

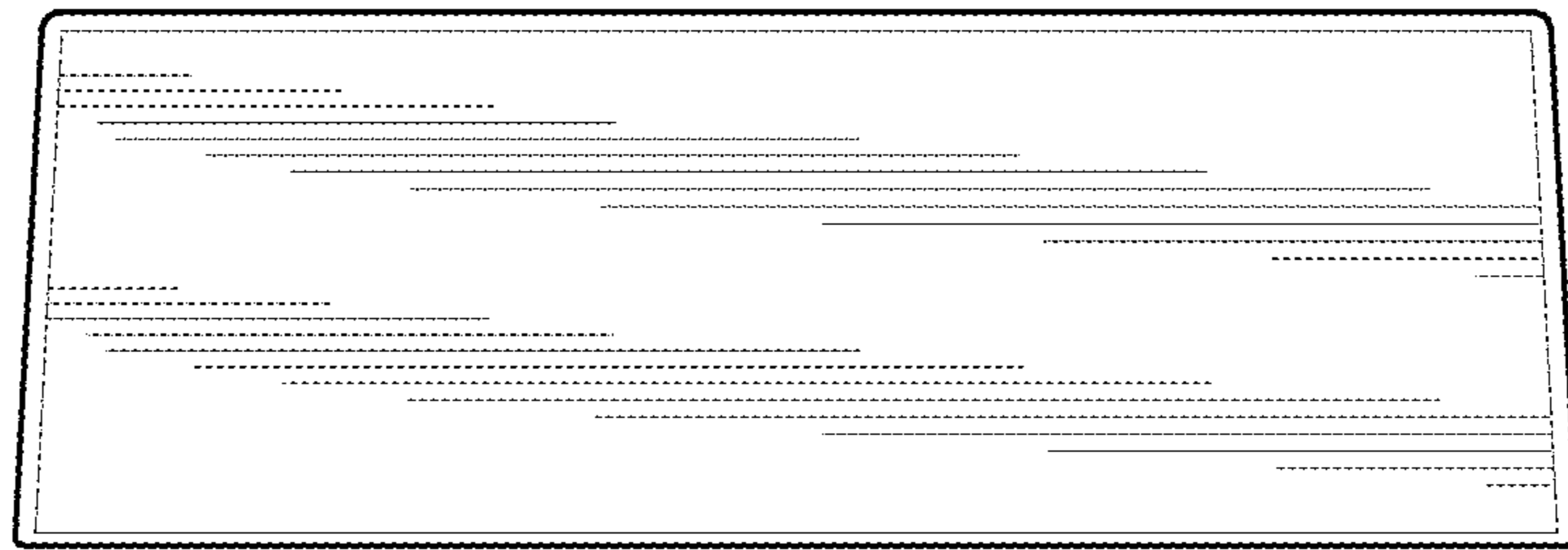


FIG. 10

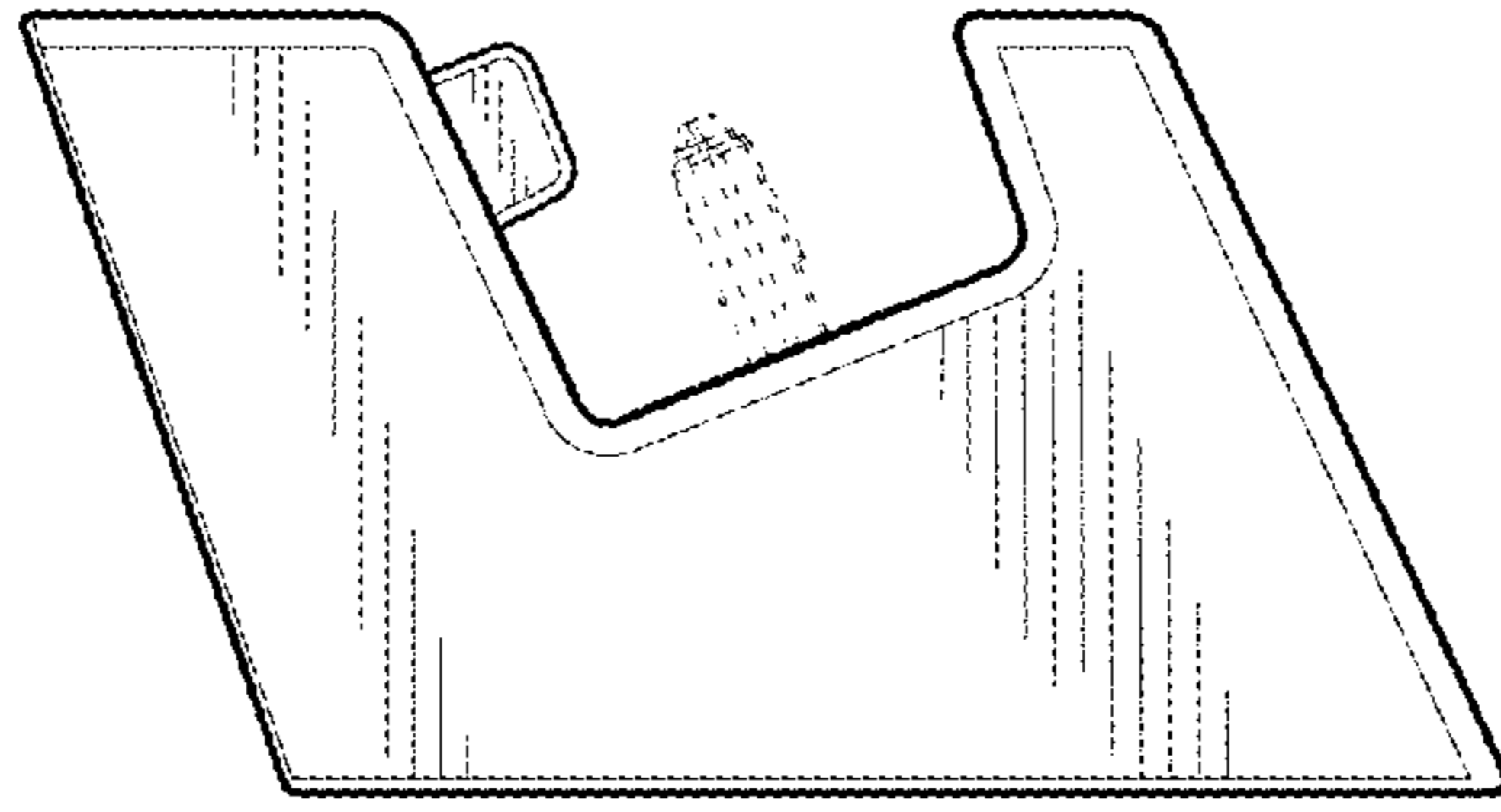


FIG. 11

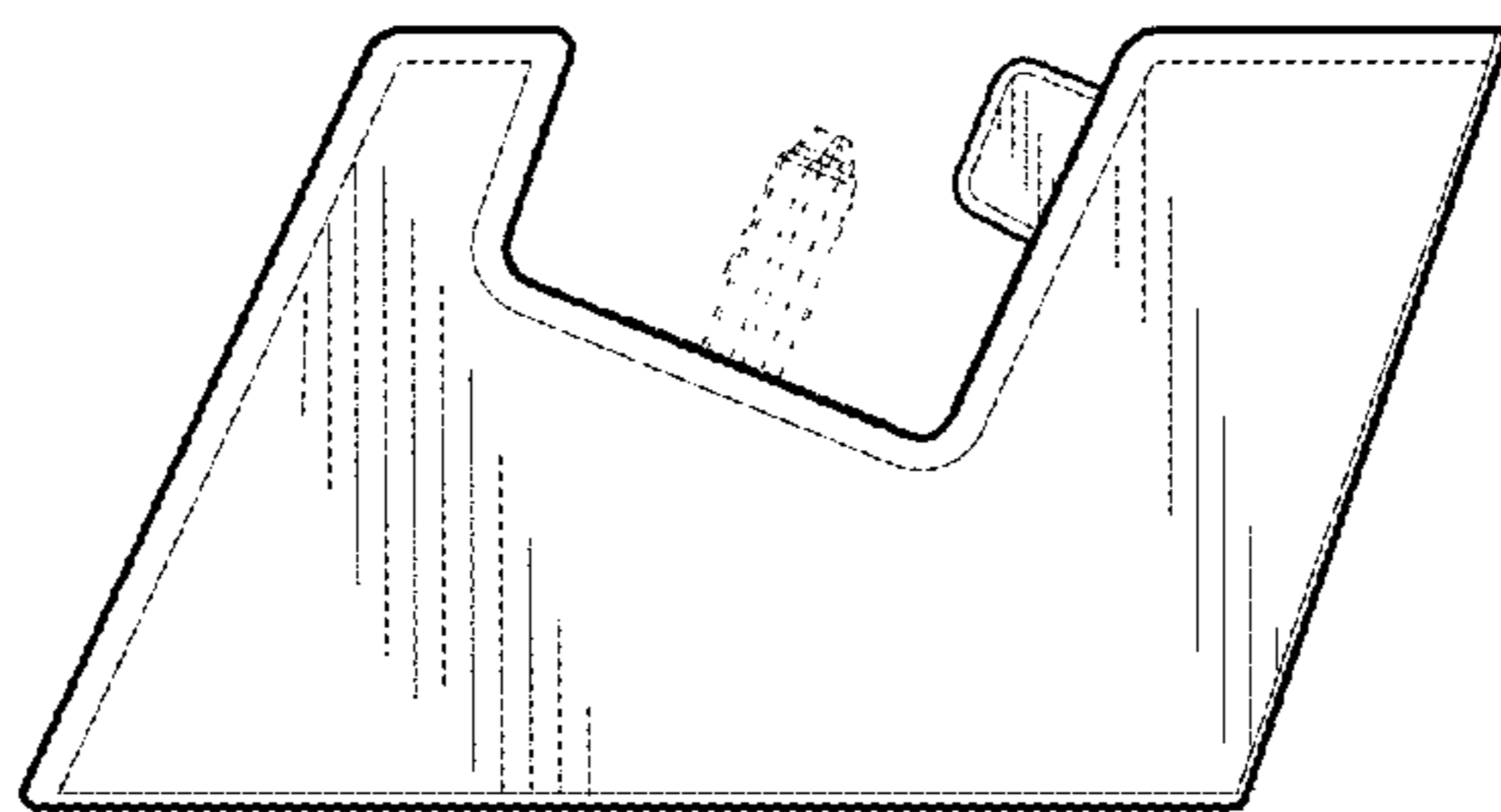


FIG. 12

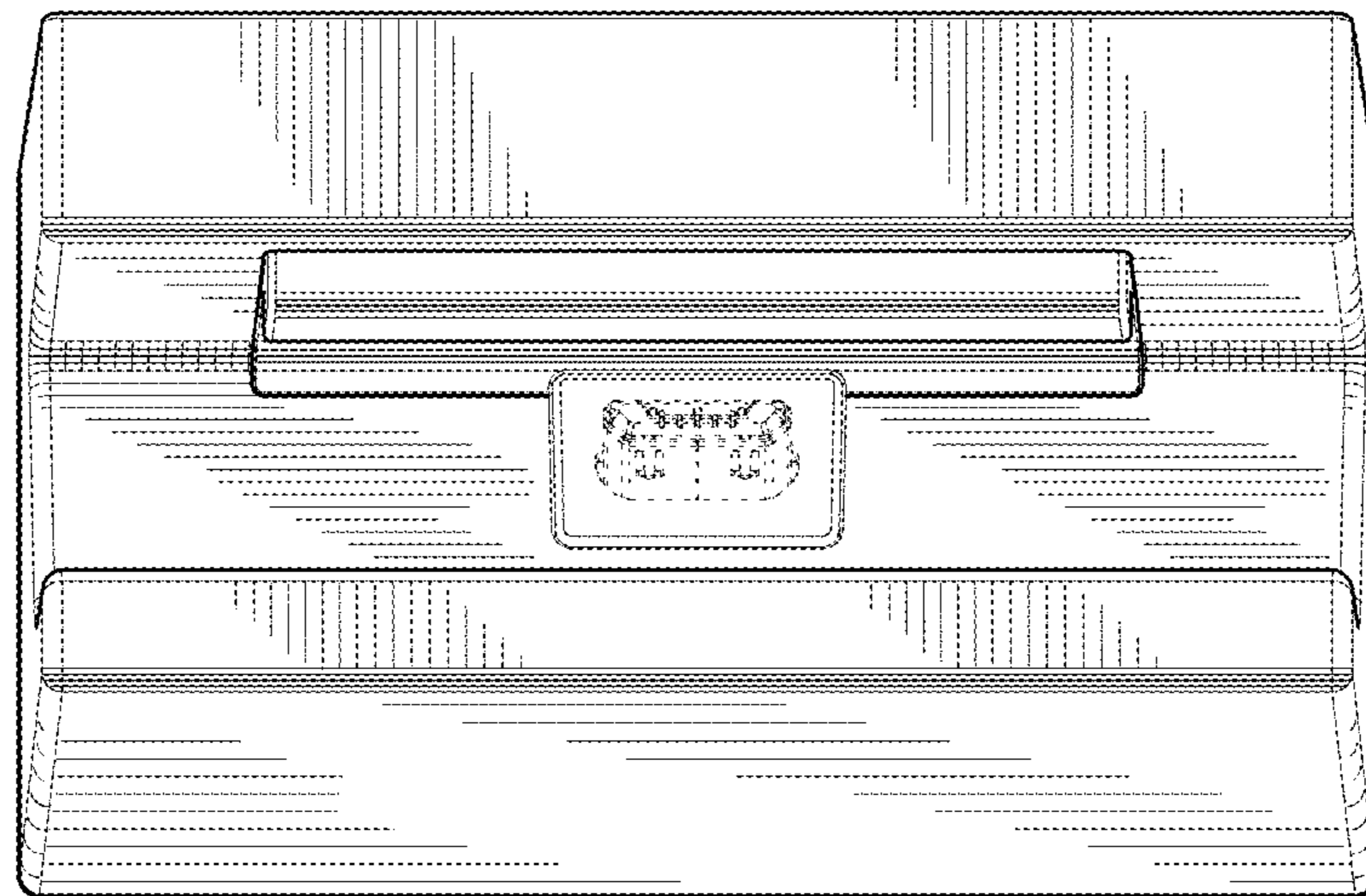


FIG. 13