



US00D769877S

(12) **United States Design Patent**
Akana et al.

(10) **Patent No.:** **US D769,877 S**

(45) **Date of Patent:** **** Oct. 25, 2016**

(54) **ADAPTER**

(71) Applicant: **Apple Inc.**, Cupertino, CA (US)
(72) Inventors: **Jody Akana**, San Francisco, CA (US);
Bartley K. Andre, Palo Alto, CA (US);
Jeremy Bataillou, San Francisco, CA (US);
Daniel J. Coster, San Francisco, CA (US);
Daniele De Iuliis, San Francisco, CA (US);
M. Evans Hankey, San Francisco, CA (US);
Julian Hoenig, San Francisco, CA (US);
Richard P. Howarth, San Francisco, CA (US);
Jonathan P. Ive, San Francisco, CA (US);
Duncan Robert Kerr, San Francisco, CA (US);
Shin Nishibori, Kailua, HI (US);
Matthew Dean Rohrbach, San Francisco, CA (US);
Peter Russell-Clarke, San Francisco, CA (US);
Christopher J. Stringer, Woodside, CA (US);
Eugene Antony Whang, San Francisco, CA (US);
Rico Zörkendörfer, San Francisco, CA (US)

(73) Assignee: **Apple Inc.**, Cupertino, CA (US)

(**) Term: **15 Years**

(21) Appl. No.: **29/557,994**

(22) Filed: **Mar. 14, 2016**

Related U.S. Application Data

(63) Continuation of application No. 29/530,282, filed on Jun. 15, 2015, now Pat. No. Des. 751,560, which is a continuation of application No. 29/477,506, filed on Dec. 23, 2013, now Pat. No. Des. 732,035, which is a

(51) **LOC (10) Cl.** (Continued) **14-02**

(52) **U.S. Cl.**
USPC **D14/433**

(58) **Field of Classification Search**
USPC D14/356-358, 383-385, 420, 426, 427, D14/432-439, 447, 453, 454, 217, 253, D14/299; D13/107, 108, 133, 146, 147, D13/152, 154, 156, 158, 162, 162.1, 168, D13/173, 177, 153; 439/131, 172-174, 373, 439/378, 607.41, 607.55, 607.34, 40; 361/679.08, 679.56, 679.21, 679.4; 174/359

CPC H01R 24/64; H01R 24/62; H01R 12/714; H01R 13/506; H01R 13/6658
See application file for complete search history.

(56) **References Cited**

U.S. PATENT DOCUMENTS

D304,028 S 10/1989 Matsuzaki
5,179,501 A 1/1993 Ocken et al.

(Continued)

FOREIGN PATENT DOCUMENTS

WO WO 2006/074348 A1 7/2006
WO WO 2011/150403 A1 12/2011

(Continued)

OTHER PUBLICATIONS

Sorrel, Charlie, "iPad Camera Connector Clones Five-Year-Old iPod Version", Wired.com, <http://www.wired.com/2010/03/ipad-camera-connector-clones-five-year-old-ipod-version/>, dated Mar. 10, 2010.

(Continued)

Primary Examiner — Austin Murphy

(74) *Attorney, Agent, or Firm* — Sterne, Kessler, Goldstein & Fox P.L.L.C.

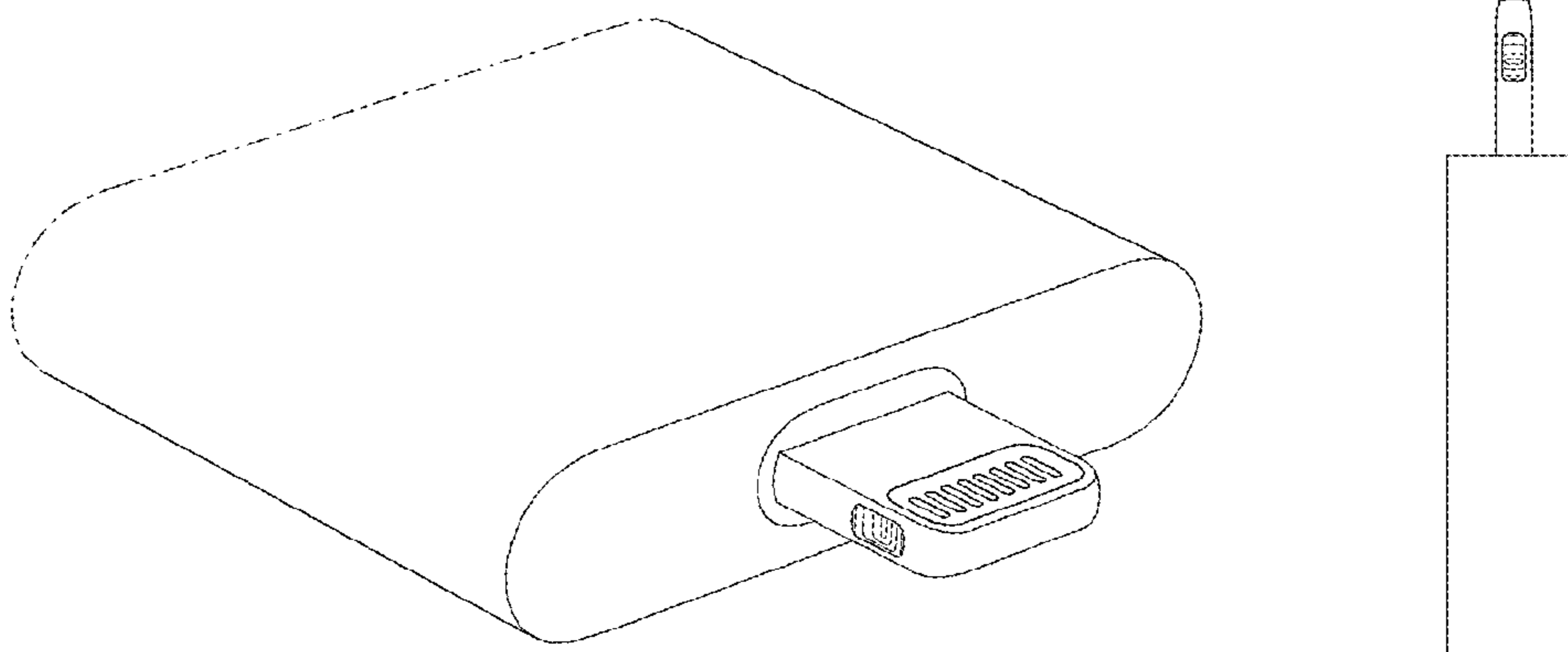
(57) **CLAIM**

The ornamental design for an adapter, as shown and described.

DESCRIPTION

FIG. 1 is a top front perspective view of an adapter showing our new design;
FIG. 2 is a bottom rear perspective view thereof;
FIG. 3 is a front view thereof, the rear view being a mirror image thereof;
FIG. 4 is a side view thereof, the other side view being a mirror image thereof;
FIG. 5 is a bottom view thereof; and,
FIG. 6 is a top view thereof.
The dashed broken lines in the figures show portions of the adapter that form no part of the claimed design.
The dot-dash broken lines in the figures show boundaries that form no part of the claimed design.
The shade lines in the figures show contour and not surface ornamentation.

1 Claim, 4 Drawing Sheets



Related U.S. Application Data

continuation of application No. 29/456,487, filed on May 31, 2013, now Pat. No. Des. 707,681, which is a continuation of application No. 29/431,556, filed on Sep. 7, 2012, now Pat. No. Des. 684,976.

D699,188 S 2/2014 Akana et al.
 8,683,090 B2 3/2014 Mullins et al.
 8,708,745 B2 4/2014 Golko et al.
 8,721,356 B2 5/2014 Webb et al.
 8,747,155 B2 6/2014 Weber et al.
 8,762,605 B2 6/2014 Terlizzi et al.
 8,777,666 B2* 7/2014 Golko H01R 13/6594
 439/607.34

(56)

References Cited

U.S. PATENT DOCUMENTS

D336,746 S 6/1993 Tse
 D369,157 S 4/1996 Ohmori et al.
 5,568,006 A 10/1996 Luff et al.
 D399,047 S 10/1998 Yoshida et al.
 6,137,710 A 10/2000 Iwasaki et al.
 D446,499 S 8/2001 Andre et al.
 D452,245 S 12/2001 Wallace et al.
 D452,246 S 12/2001 Wallace et al.
 D454,110 S 3/2002 Andre et al.
 6,483,038 B2 11/2002 Lee et al.
 D487,747 S 3/2004 Yu et al.
 D490,796 S 6/2004 Allen
 D515,545 S 2/2006 Griffin
 D522,463 S 6/2006 Novotney et al.
 D525,977 S 8/2006 Yao
 7,094,089 B2 8/2006 Andre et al.
 D531,127 S 10/2006 Zhong et al.
 D534,184 S 12/2006 Leija et al.
 D534,545 S 1/2007 Leija et al.
 D537,036 S 2/2007 Chen
 D537,780 S 3/2007 Suckle
 D552,099 S 10/2007 Nishizawa et al.
 D552,604 S 10/2007 Andre et al.
 7,341,472 B2 3/2008 Chao et al.
 D565,571 S 4/2008 Trifilio et al.
 D569,848 S 5/2008 Suzuki
 D574,834 S 8/2008 Chen
 D577,008 S 9/2008 Andre et al.
 D577,990 S 10/2008 Andre et al.
 D578,991 S 10/2008 Donovan et al.
 D587,209 S 2/2009 Tsai et al.
 D588,545 S 3/2009 Andre et al.
 D594,418 S 6/2009 Fujino et al.
 D604,725 S 11/2009 Chen
 D605,650 S 12/2009 Ribeiro
 D607,886 S 1/2010 Bolotin et al.
 D617,776 S 6/2010 Hightower
 D618,226 S 6/2010 Tong et al.
 D618,240 S 6/2010 Larmour et al.
 D619,127 S 7/2010 Tong et al.
 D621,785 S 8/2010 Nickol
 D624,548 S 9/2010 Yamamoto
 D631,883 S 2/2011 Maier
 D634,326 S 3/2011 Gehrke
 D637,193 S 5/2011 Andre et al.
 D641,023 S 7/2011 Chen et al.
 D643,040 S 8/2011 Sedio et al.
 D655,296 S 3/2012 Andre et al.
 D656,147 S 3/2012 Schlosstein
 D658,665 S 5/2012 Akana et al.
 D659,150 S 5/2012 Andre
 D665,734 S 8/2012 Fitch et al.
 D665,754 S 8/2012 Cobbett et al.
 D672,780 S 12/2012 Chen et al.
 D684,539 S 6/2013 Akana et al.
 8,561,879 B2 10/2013 Jol et al.
 D693,828 S 11/2013 Akana et al.
 8,637,165 B2 1/2014 Siahaan et al.

8,799,527 B2 8/2014 Mullins et al.
 D713,354 S* 9/2014 Akana D13/147
 8,845,363 B2 9/2014 Ardisana et al.
 8,882,529 B2 11/2014 Weber et al.
 8,886,849 B2 11/2014 Golembeski et al.
 8,888,510 B2 11/2014 Webb et al.
 8,891,216 B2 11/2014 Mullins et al.
 8,905,793 B2 12/2014 Golko et al.
 8,986,029 B2 3/2015 Webb et al.
 9,011,161 B2 4/2015 Weber et al.
 9,011,172 B2 4/2015 Weber et al.
 9,011,179 B2 4/2015 Siahaan et al.
 9,021,159 B2 4/2015 Fritchman et al.
 9,059,531 B2* 6/2015 Schmidt H01R 13/6581
 9,065,212 B2 6/2015 Golko et al.
 9,092,233 B2 7/2015 Andrews et al.
 9,093,803 B2* 7/2015 SooHoo G06F 1/1626
 9,099,856 B2 8/2015 Uttermann et al.
 9,112,327 B2 8/2015 Sarwar et al.
 9,160,124 B2 10/2015 Colahan et al.
 9,240,700 B2 1/2016 Terlizzi et al.
 D751,560 S* 3/2016 Akana D14/433
 9,293,876 B2* 3/2016 Terlizzi H01R 29/00
 D755,724 S* 5/2016 Akana D13/147
 2002/0170972 A1 11/2002 Kim
 2005/0202727 A1 9/2005 Andre et al.
 2007/0229025 A1 10/2007 Tsai et al.
 2007/0293079 A1 12/2007 Chao et al.
 2011/0199729 A1 8/2011 Hsieh
 2012/0252256 A1 10/2012 Zhu et al.
 2013/0089291 A1* 4/2013 Jol H01R 13/405
 385/77
 2013/0244489 A1 9/2013 Terlizzi et al.
 2013/0305066 A1 11/2013 Mullins et al.
 2014/0073170 A1* 3/2014 Golko H01R 13/6275
 439/350
 2014/0073183 A1* 3/2014 Golko H01R 13/6594
 439/607.34
 2014/0075051 A1 3/2014 Zadesky et al.
 2014/0075210 A1 3/2014 Rich et al.
 2014/0329416 A1* 11/2014 Golko H01R 29/00
 439/676

FOREIGN PATENT DOCUMENTS

WO WO 2011/160138 A2 12/2011
 WO WO 2011/163256 A1 12/2011
 WO WO 2011/163260 A1 12/2011
 WO WO 2012/103383 A2 8/2012
 WO WO 2013/081704 A1 6/2013
 WO WO 2014/040224 A1 3/2014
 WO WO 2014/040231 A1 3/2014

OTHER PUBLICATIONS

Bohn, Dieter, "Apple Releases Micro USB adapter for iPhone", The Verge, <http://www.theverge.com/apple/2011/10/4/2469886/apple-releases-micro-usb-adapter-for-iphone>, dated Oct. 4, 2011.
 U.S. Appl. No. 29/432,034, filed Sep. 12, 2012; Akana et al.

* cited by examiner

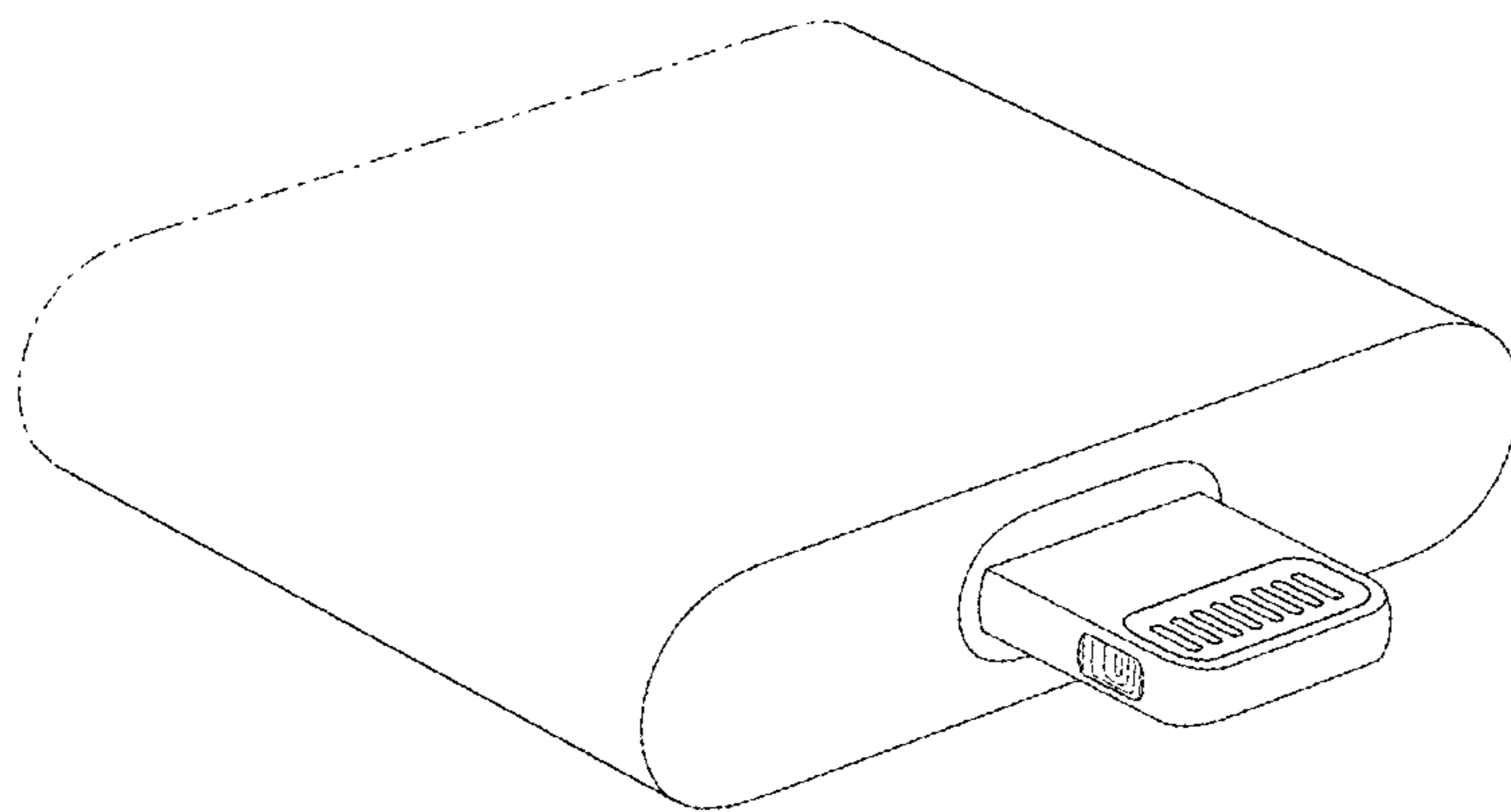


FIG. 1

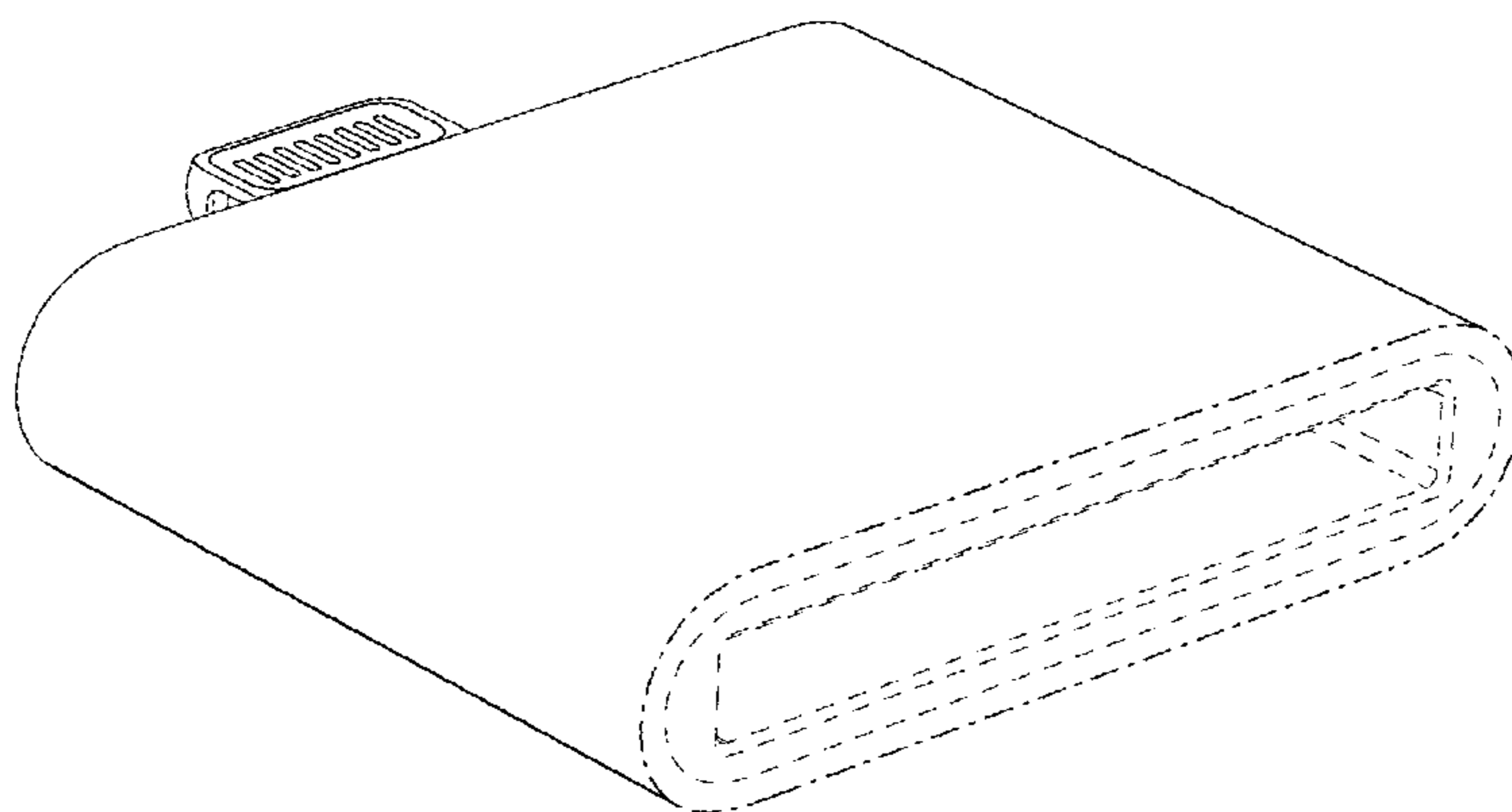


FIG. 2

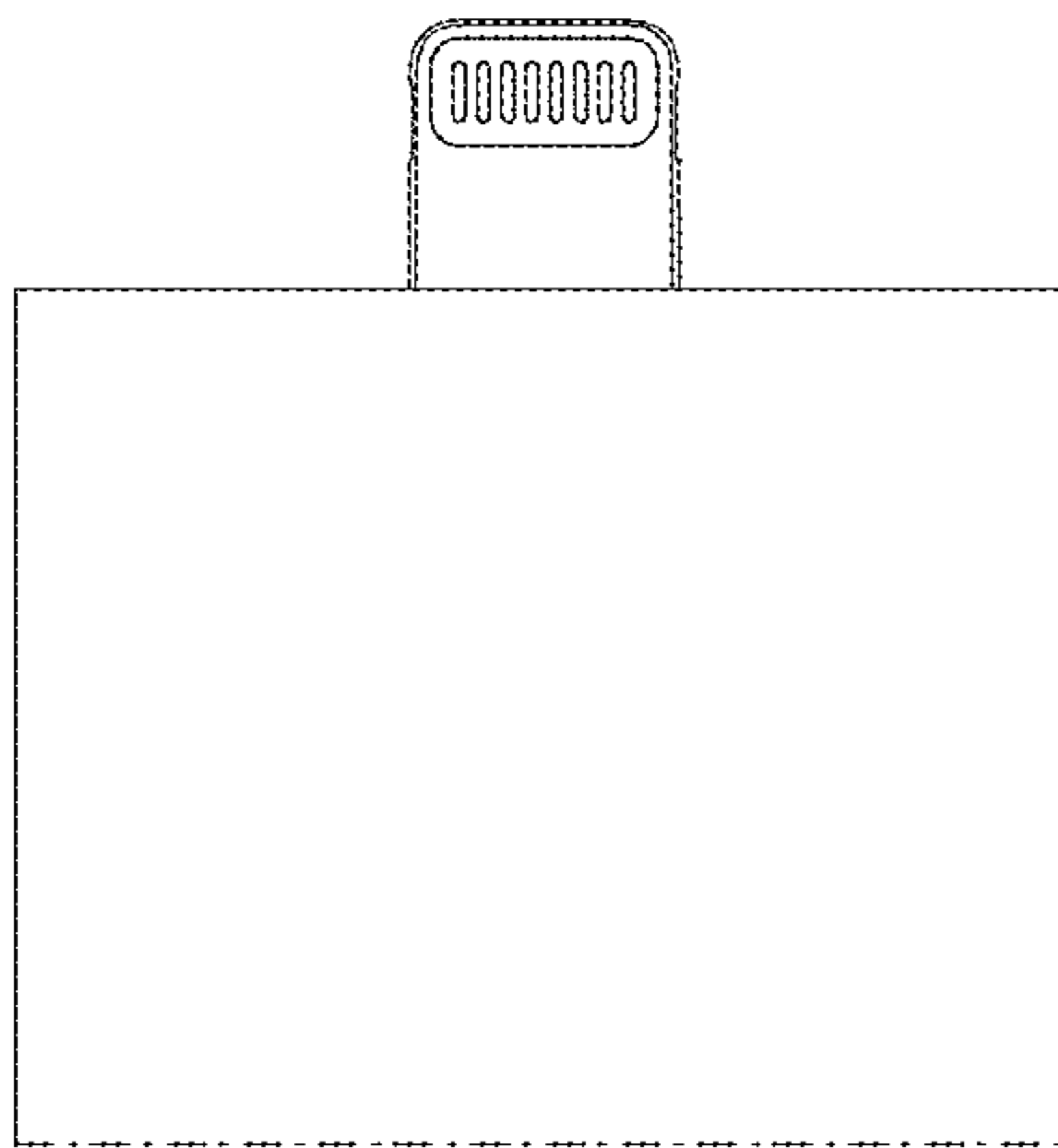


FIG. 3



FIG. 4



FIG. 5

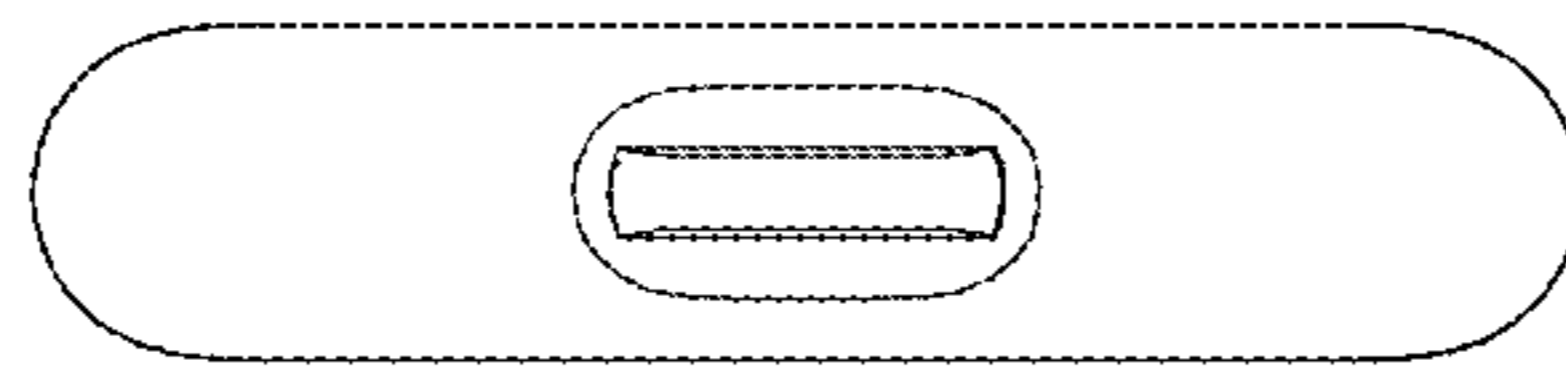


FIG. 6