



US00D769875S

(12) **United States Design Patent** (10) **Patent No.:** **US D769,875 S**
Volta et al. (45) **Date of Patent:** **** Oct. 25, 2016**

(54) **CODED INFORMATION READER**
(71) Applicant: **Datalogic IP Tech S.r.l.**, Lippo di Calderara di Reno (IT)
(72) Inventors: **Romano Volta**, Bologna (IT); **Monica Alegiani**, Silvi (IT)
(73) Assignee: **DATALOGIC IP TECH S.R.L.**, Lippo di Calderara di Reno (IT)
(**) Term: **15 Years**

7/10861; G06K 2207/1011; G06K 2207/1012; G06K 2207/1013; G06K 2207/1016; G06K 2207/1017; G06K 2207/1018; G06K 2207/10534; G06K 17/0022; A47F 9/046; A47F 9/047; G07G 1/0045; G04N 5/23238; G04N 5/2252; G04N 5/2251; G03B 17/02; B25H 5/00; B66F 7/28; G02B 26/10; G02B 26/106; G07F 11/002; G07F 11/02; G06Q 20/343; G06F 2203/0331

See application file for complete search history.

(21) Appl. No.: **29/557,636**
(22) Filed: **Mar. 10, 2016**

(56) **References Cited**

U.S. PATENT DOCUMENTS

5,198,650 A 3/1993 Wike, Jr.
D340,253 S 10/1993 Fedorczak

(Continued)

OTHER PUBLICATIONS

Datalogic Gryphon™ | GPS4400 On-Counter Presentation Scanner, Dec. 2013, 52 pages.

(Continued)

Related U.S. Application Data

(62) Division of application No. 29/529,609, filed on Jun. 9, 2015, now Pat. No. Des. 754,662, which is a division of application No. 29/503,080, filed on Sep. 23, 2014, now Pat. No. Des. 734,337.

(30) **Foreign Application Priority Data**

Apr. 1, 2014 (EM) 002437681
Jul. 8, 2014 (EM) 002498865

(51) **LOC (10) Cl.** **14-02**

(52) **U.S. Cl.**
USPC **D14/420**

(58) **Field of Classification Search**

USPC D14/420, 426-430, 453; 235/462.01, 235/462.11, 462.43, 462.45, 462.49, 235/472.01, 385, 454; 382/313, 321, 318; 358/473; 250/215, 216; D26/37-50, D26/24; 362/157, 158, 171-174, 183-208; 396/427
CPC G06K 7/10584; G06K 7/10613; G06K 7/10881; G06K 7/109; G06K 7/10693; G06K 7/10871; G06K 7/1096; G06K 7/10; G06K 7/10564; G06K 7/10594; G06K 7/10603; G06K 7/10663; G06K 7/10673; G06K 7/10702; G06K 7/10792; G06K 7/10633; G06K 7/10653; G06K 7/10891; G06K 7/14; G06K 7/1443; G06K 7/10801; G06K 7/10811; G06K 7/10851; G06K

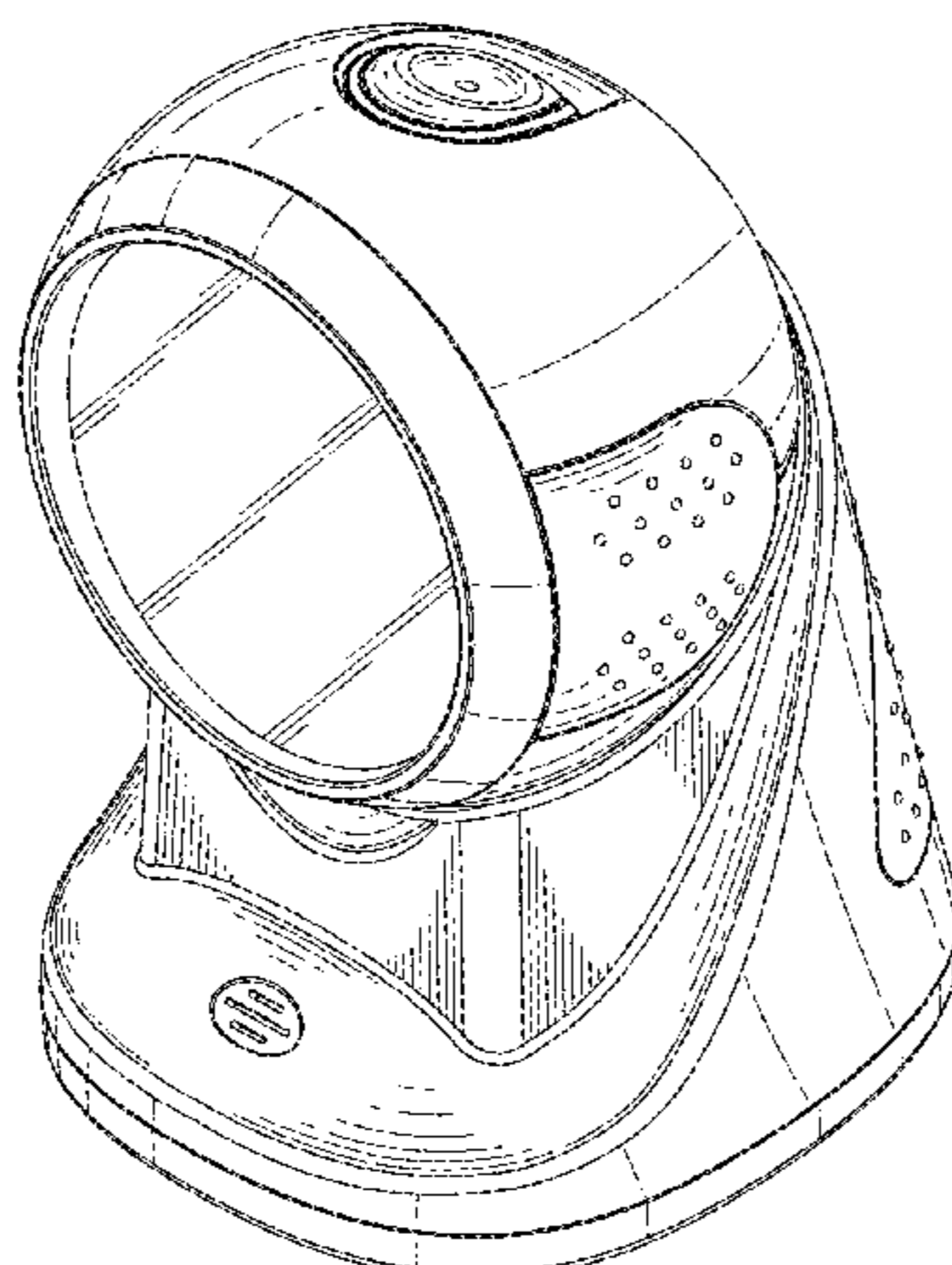
Primary Examiner — Susan Moon Lee
(74) *Attorney, Agent, or Firm* — Duane Morris LLP

(57) **CLAIM**
We claim the ornamental design for a coded information reader, as shown and described.

DESCRIPTION

FIG. 1 is a perspective front view of a coded information reader according to the present invention.
FIG. 2 is a front elevation view of the coded information reader of FIG. 1.
FIG. 3 is a rear elevation view of the coded information reader of FIG. 1.
FIG. 4 is a top view of the coded information reader of FIG. 1.
FIG. 5 is a bottom view of the coded information reader of FIG. 1.
FIG. 6 is a right side elevation view of the coded information reader of FIG. 1; and,
FIG. 7 is a left side elevation view of the coded information reader of FIG. 1.

1 Claim, 7 Drawing Sheets



(56)

References Cited

U.S. PATENT DOCUMENTS

D351,149 S 10/1994 Bontly et al.
 D359,483 S 6/1995 Saunders et al.
 D378,587 S 3/1997 Kanno et al.
 D394,274 S 5/1998 Suzuki
 D402,677 S 12/1998 Hiraguchi
 D408,806 S 4/1999 Schmidt et al.
 6,065,676 A 5/2000 Ring
 D430,587 S 9/2000 Summit
 D433,432 S 11/2000 Prather et al.
 6,147,701 A 11/2000 Tamura et al.
 6,257,492 B1 7/2001 Bressler et al.
 6,503,000 B1 1/2003 Kim
 6,575,368 B1 6/2003 Tamburrini et al.
 6,651,890 B2* 11/2003 Byun A47F 9/046
 235/462.43
 D502,196 S 2/2005 Miyazaki
 D511,181 S 11/2005 Huang et al.
 D517,585 S 3/2006 Iino et al.
 7,243,850 B2 7/2007 Tamburrini et al.
 D550,738 S 9/2007 Hsia
 D554,171 S 10/2007 Deng
 D555,692 S 11/2007 Liu et al.
 D558,249 S 12/2007 Hsia
 D562,372 S 2/2008 Takahashi
 D573,622 S 7/2008 Fisher et al.
 D583,845 S 12/2008 Hayashi et al.
 7,719,610 B2 5/2010 Kung et al.
 D626,580 S 11/2010 Tzeng
 D633,931 S 3/2011 Ham
 D644,259 S 8/2011 Barley et al.
 D660,339 S 5/2012 Yoshida
 D690,344 S 9/2013 Hollinger
 8,538,254 B2 9/2013 Tamura et al.
 8,764,318 B2 7/2014 Wada et al.
 D719,202 S 12/2014 Lee
 D720,752 S 1/2015 Bleads
 D721,371 S 1/2015 Rivera et al.
 D734,337 S 7/2015 Volta et al.
 D754,662 S* 4/2016 Volta D14/420

2002/0030107 A1 3/2002 Byun et al.
 2003/0097236 A1 5/2003 E. James
 2005/0040238 A1 2/2005 Byun et al.
 2005/0206779 A1 9/2005 Aoki et al.
 2006/0017842 A1 1/2006 Jun
 2006/0023113 A1 2/2006 Lin
 2007/0041726 A1 2/2007 Lee
 2007/0292121 A1 12/2007 Sato
 2008/0008467 A1 1/2008 Liu
 2008/0056709 A1 3/2008 Huang
 2008/0231699 A1 9/2008 Konishi et al.
 2009/0251538 A1 10/2009 Wada et al.
 2011/0115973 A1 5/2011 Tatewaki
 2012/0262573 A1 10/2012 Bridges
 2014/0197240 A1 7/2014 Mistkawi
 2014/0268178 A1* 9/2014 Atwell G01B 11/24
 356/614

OTHER PUBLICATIONS

Datalogic Magellan™ 800i On Counter Presentation Omnidirectional Bar Code Reader Quick Reference Guide, Oct. 2013, 24 pages.
 Datalogic Magellan™ 1100i Omni-Directional Imaging Scanner Quick Reference Guide, Oct. 2013, 48 pages.
 Opticon OPM2000 Scanner laser omnidirezionale product information, 2 pages (undated).
 Datalogic Magellan™ 1400i Omni-Directional Imaging Scanner Quick Reference Guide, Jan. 2012, 12 pages.
 Datalogic Magellan™ 2200VS Quick Reference Guide, May 2013, 52 pages.
 Datalogic Magellan™ 3200VSi Omni-Directional Imaging Scanner, Jun. 2013, 28 pages.
 Angel POS Omni-Directional Laser Barcode Scanner, http://www.angelpos.ca/Omni-Directional-Laser-Barcode-Scanner_p_66.html, accessed on Sep. 18, 2014.
 Motorola DS9208 Omni-Directional Hands-Free Presentation Imager Product Spec Sheet, Apr. 2012, 4 pages.

* cited by examiner

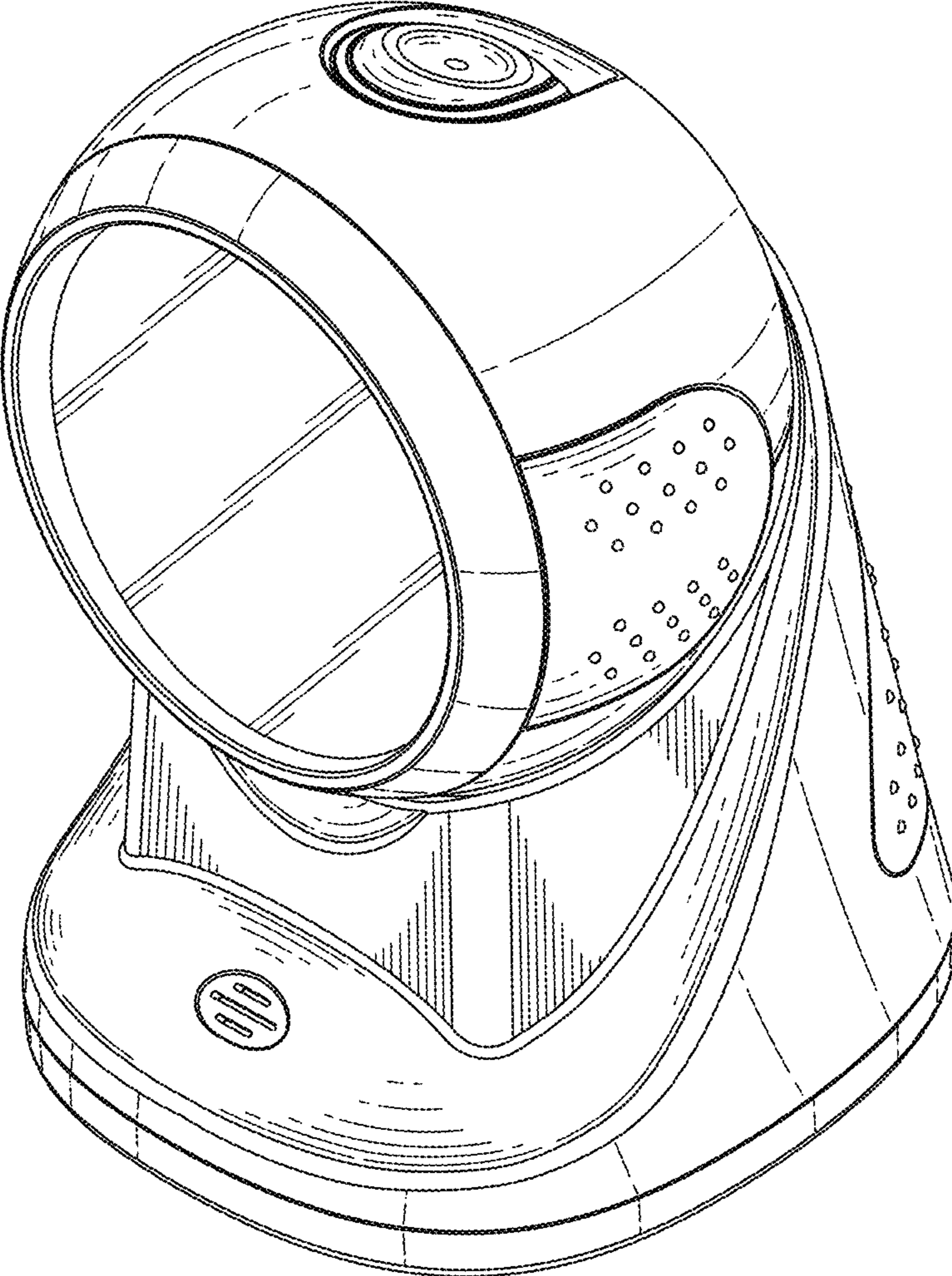


FIG. 1

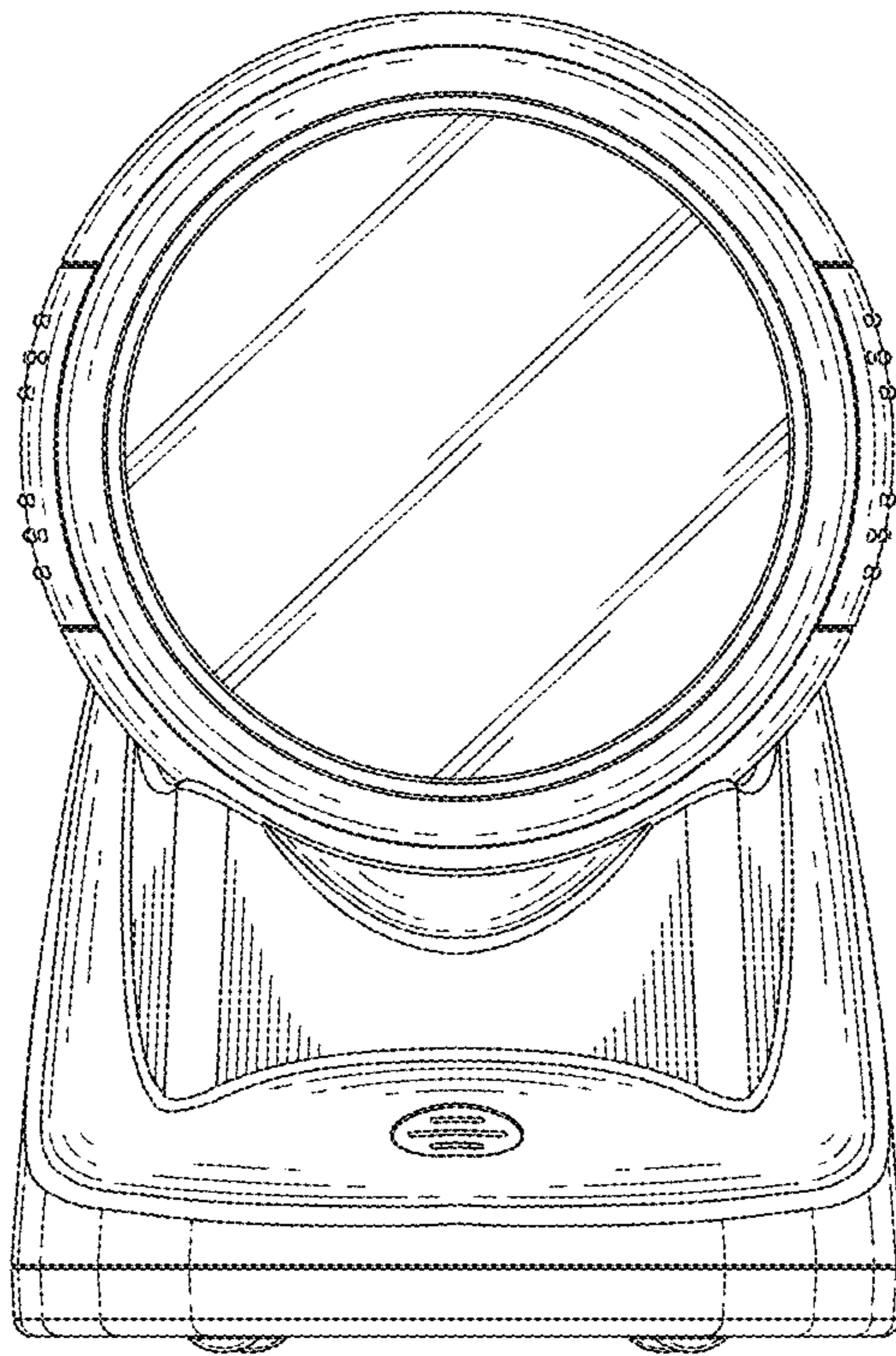


FIG. 2

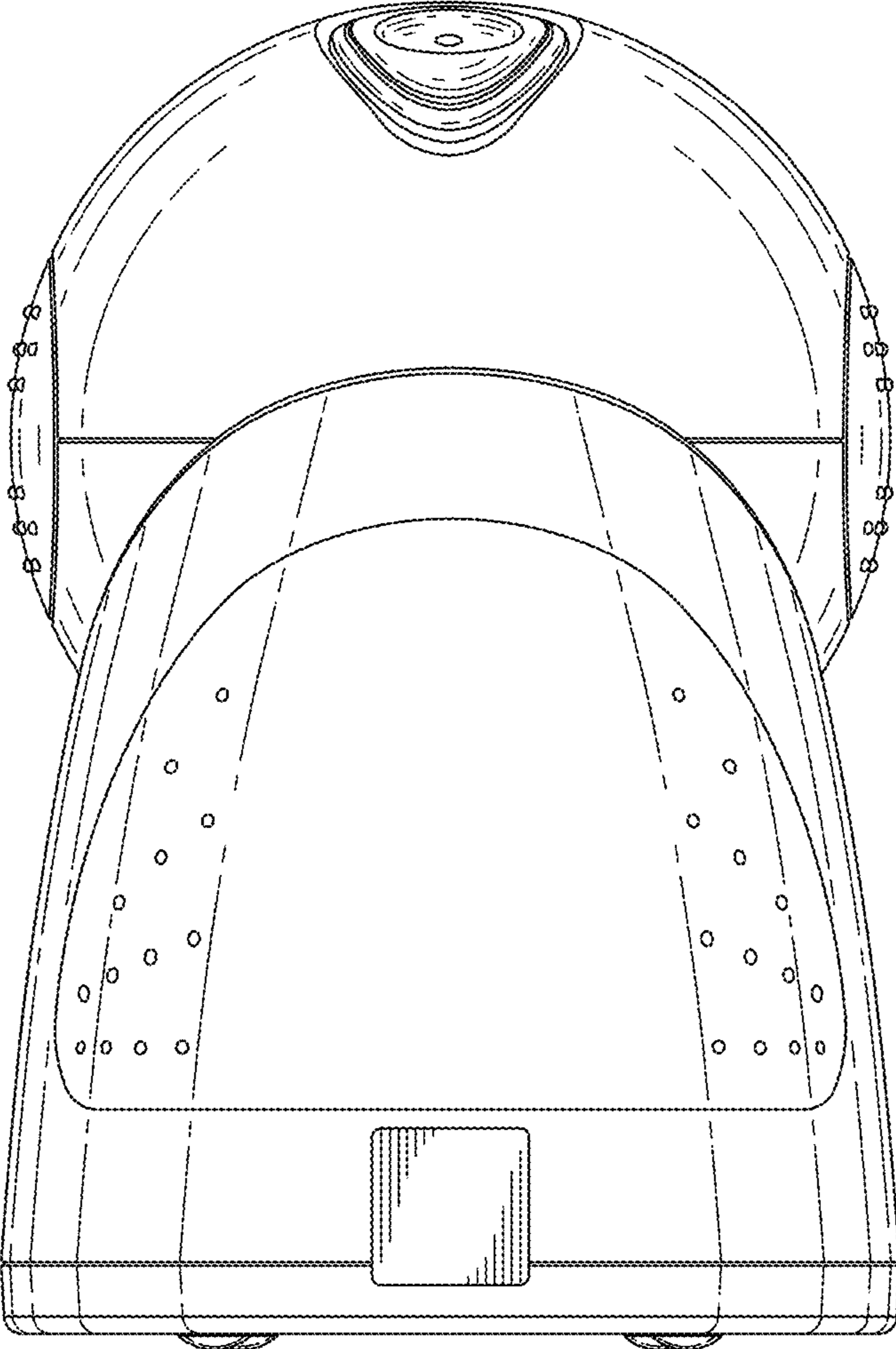


FIG. 3

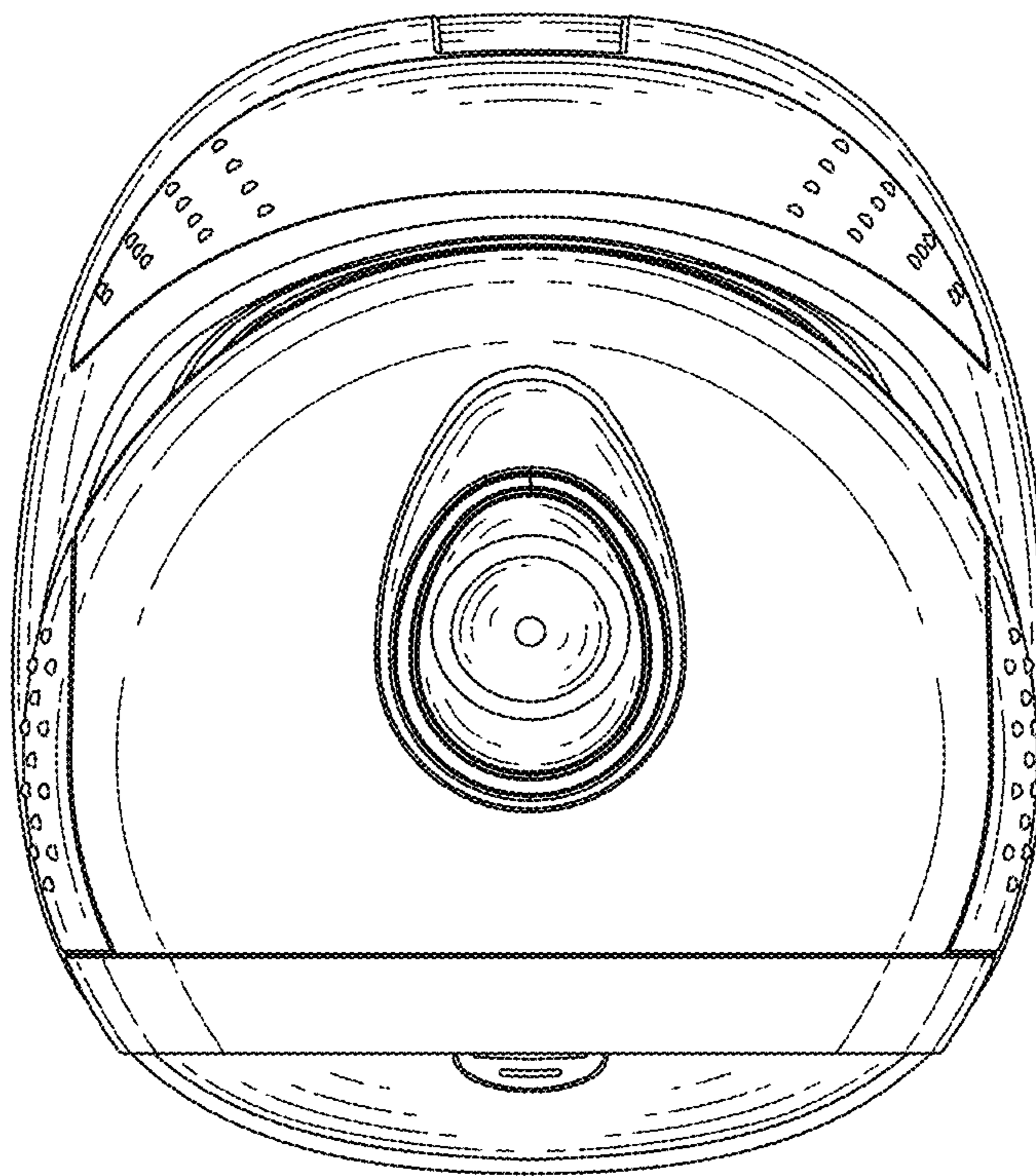


FIG. 4

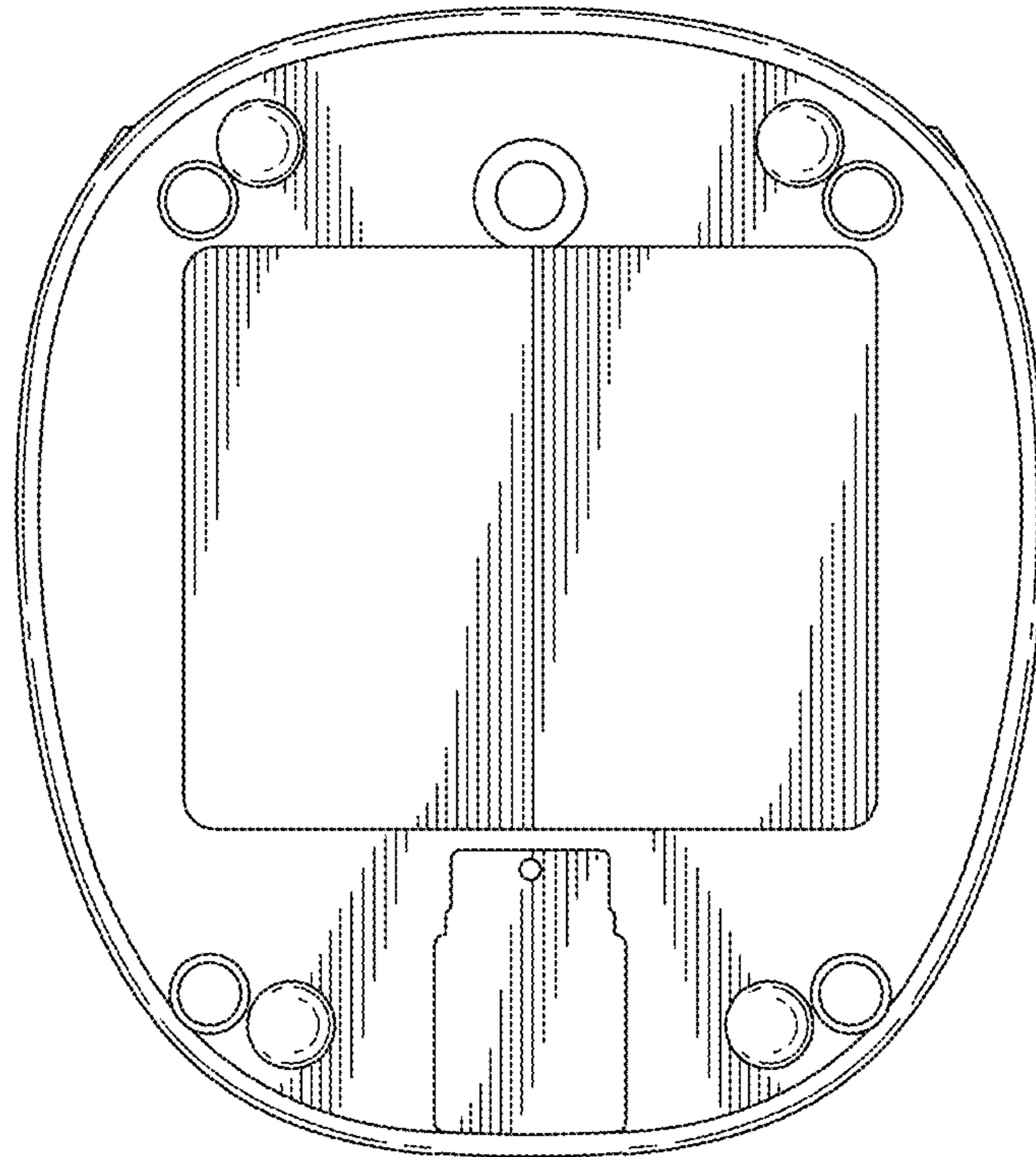


FIG. 5

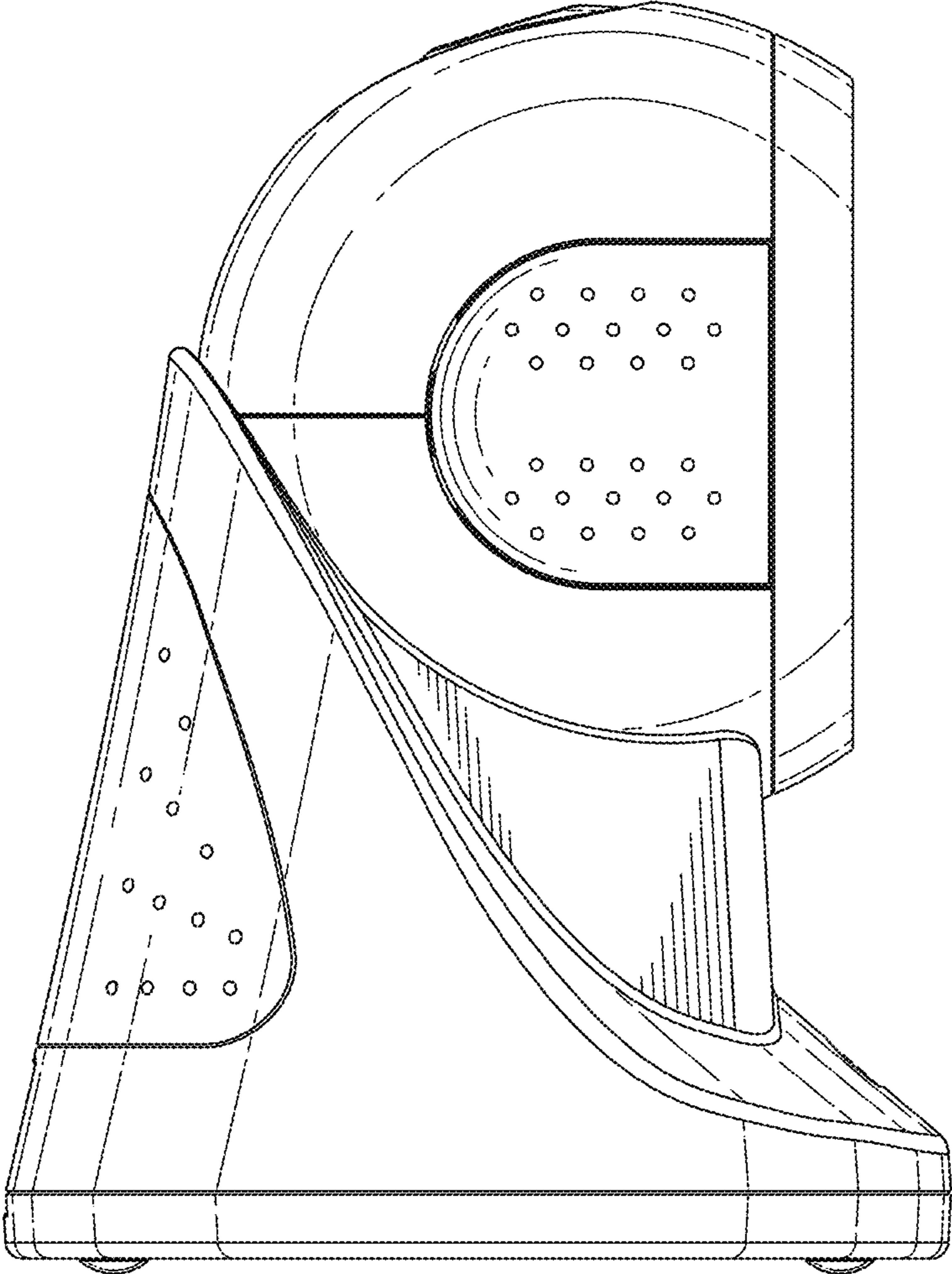


FIG. 6

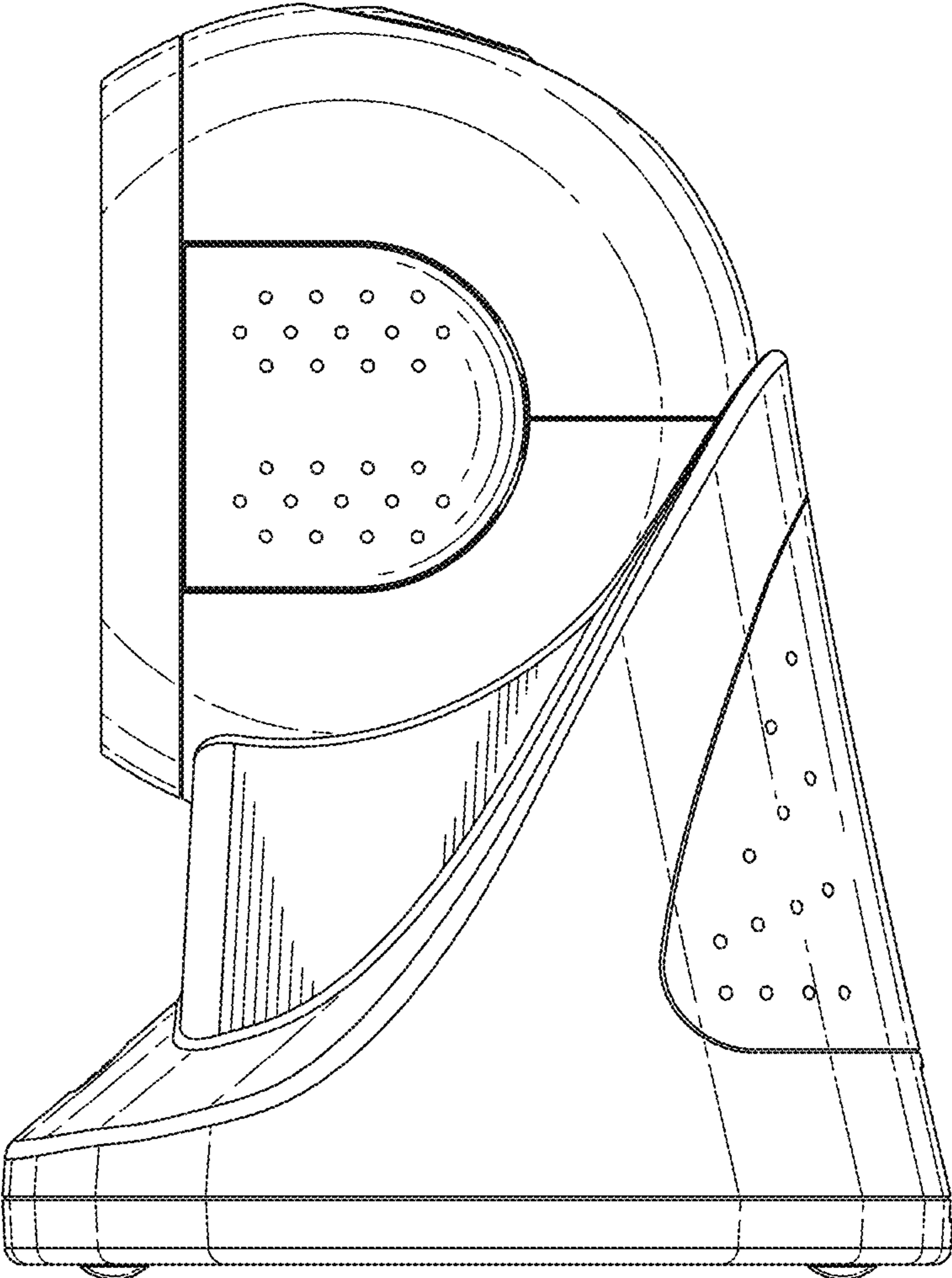


FIG. 7