

US00D769874S

(12) **United States Design Patent**
Kung

(10) **Patent No.:** **US D769,874 S**
(45) **Date of Patent:** **** Oct. 25, 2016**

(54) **DISPLAY DEVICE**

- (71) Applicant: **Lenovo (Beijing) Co., Ltd.**, Beijing (CN)
- (72) Inventor: **Tin wing kelvin Kung**, Beijing (CN)
- (73) Assignee: **Lenovo (Beijing) Co., Ltd.**, Beijing (CN)
- (**) Term: **14 Years**
- (21) Appl. No.: **29/520,304**
- (22) Filed: **Mar. 13, 2015**
- (30) **Foreign Application Priority Data**

Sep. 18, 2014 (CN) 2014 3 0346226

(51) **LOC (10) Cl.** **14-02**

(52) **U.S. Cl.**
USPC **D14/374**

(58) **Field of Classification Search**
 USPC D14/371-375, 125-129, 336, 337, 341;
 341/12; 345/104, 156, 168, 173;
 348/180, 184, 325, 739; 349/1, 2, 11,
 349/62; 361/679.05-679.07, 679.21;
 D6/300, 308
 CPC G06F 1/16; G06F 1/1601; G06F 3/037;
 G06F 1/162; F16M 11/10
 See application file for complete search history.

(56) **References Cited**

U.S. PATENT DOCUMENTS

D648,336 S * 11/2011 Yagi D14/374

D705,225 S * 5/2014 Huh D14/374

* cited by examiner

Primary Examiner — Freda S Nunn

(74) *Attorney, Agent, or Firm* — Oppedahl Patent Law Firm LLC

(57) **CLAIM**

The ornamental design for display device, as shown and described.

DESCRIPTION

FIG. 1 is a front view of a display device showing our new design;
 FIG. 2 is a rear view thereof;
 FIG. 3 is a left side view thereof;
 FIG. 4 is an enlarged part thereof as indicated FIG. 3;
 FIG. 5 is another enlarged part thereof as indicated in FIG. 3;
 FIG. 6 is a right side view thereof;
 FIG. 7 is a top view thereof;
 FIG. 8 is an enlarged part thereof as indicated in FIG. 7;
 FIG. 9 is a bottom view thereof;
 FIG. 10 is an enlarged part thereof as indicated in FIG. 9;
 FIG. 11 is a perspective view thereof;
 FIG. 12 is an enlarged part thereof as indicated in FIG. 11;
 FIG. 13 is a perspective view of a second embodiment thereof wherein the undisclosed views are identical to those of the first embodiment; and,
 FIG. 14 is an enlarged part thereof as indicated in FIG. 13.

1 Claim, 8 Drawing Sheets

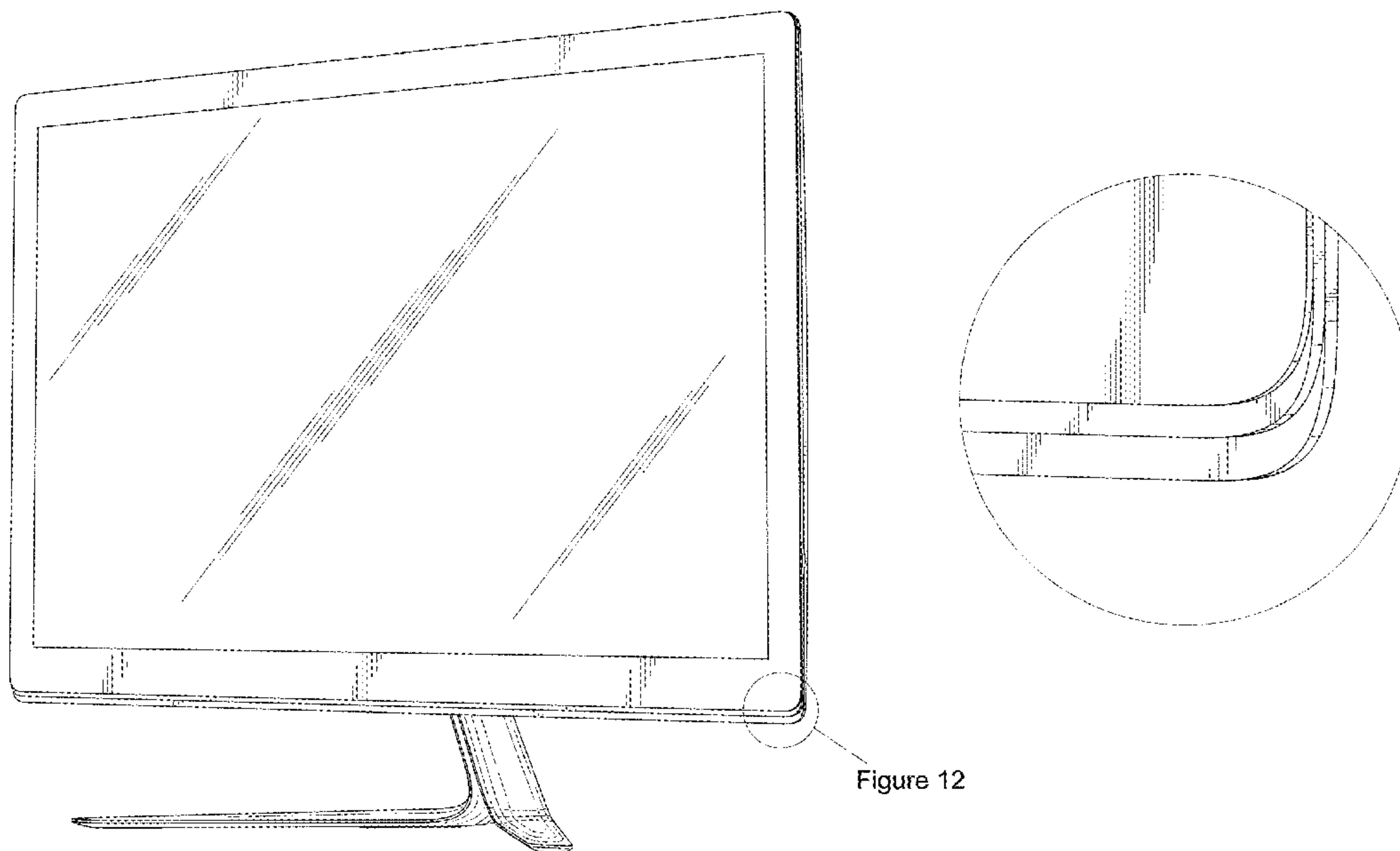


Figure 12

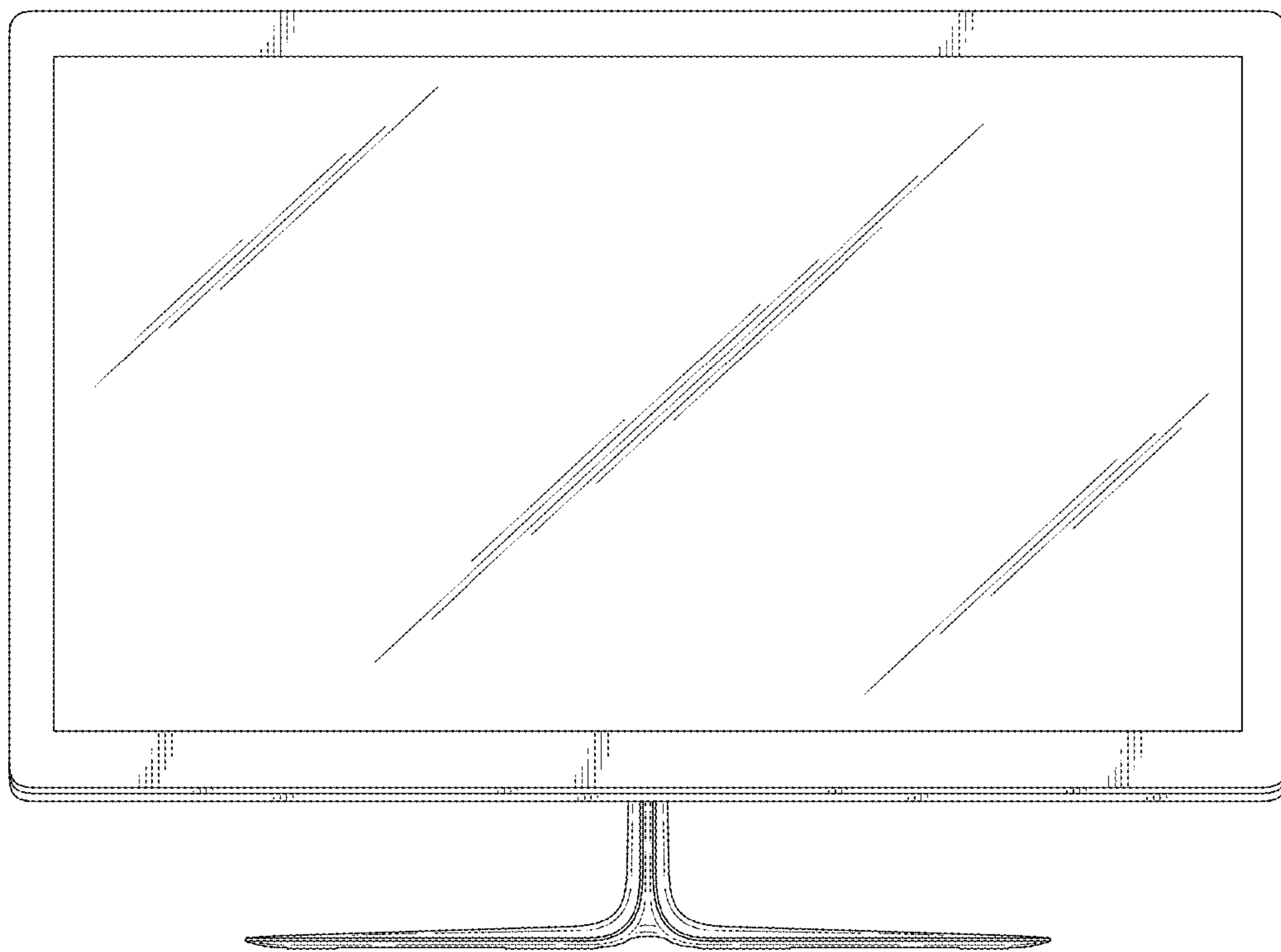


Figure 1

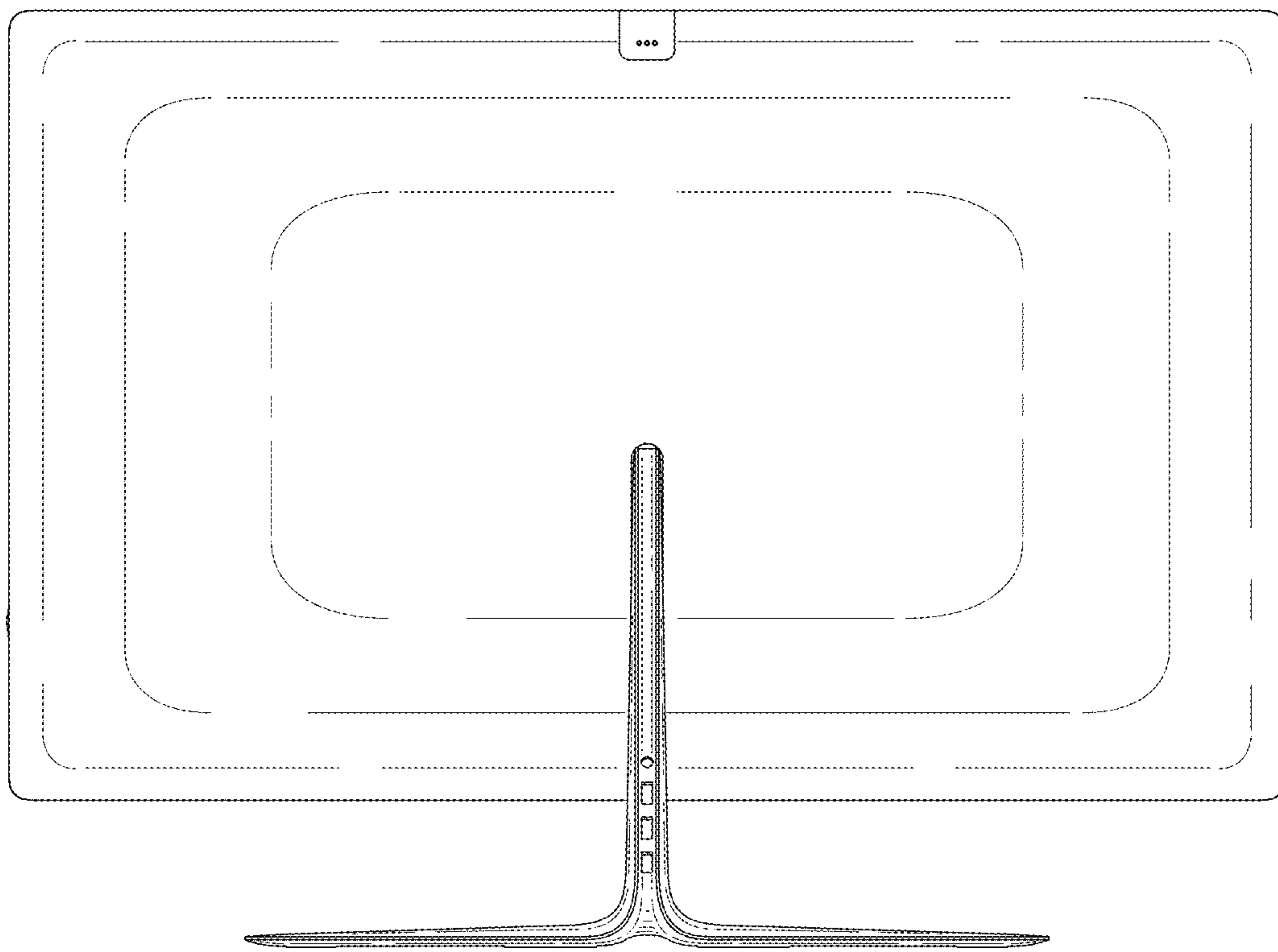
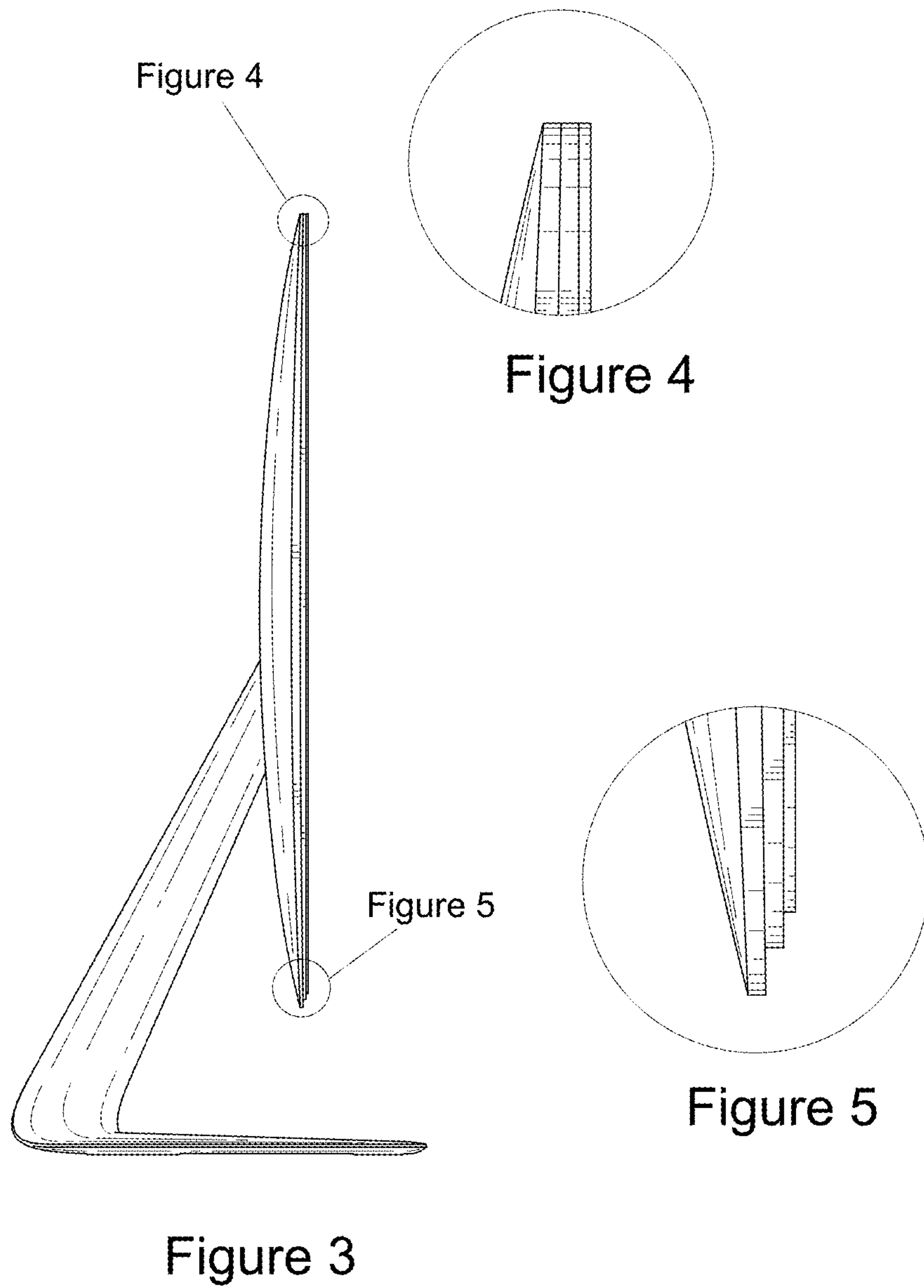


Figure 2



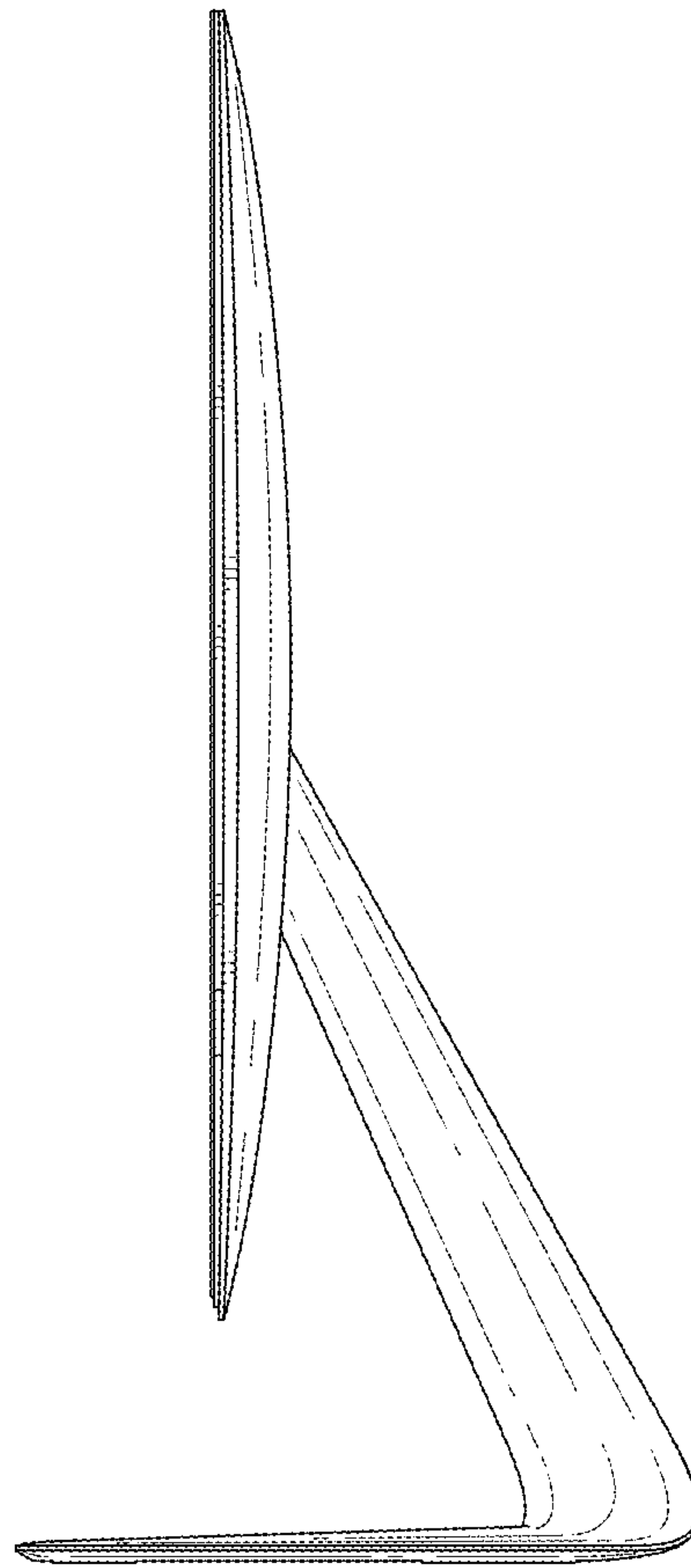


Figure 6

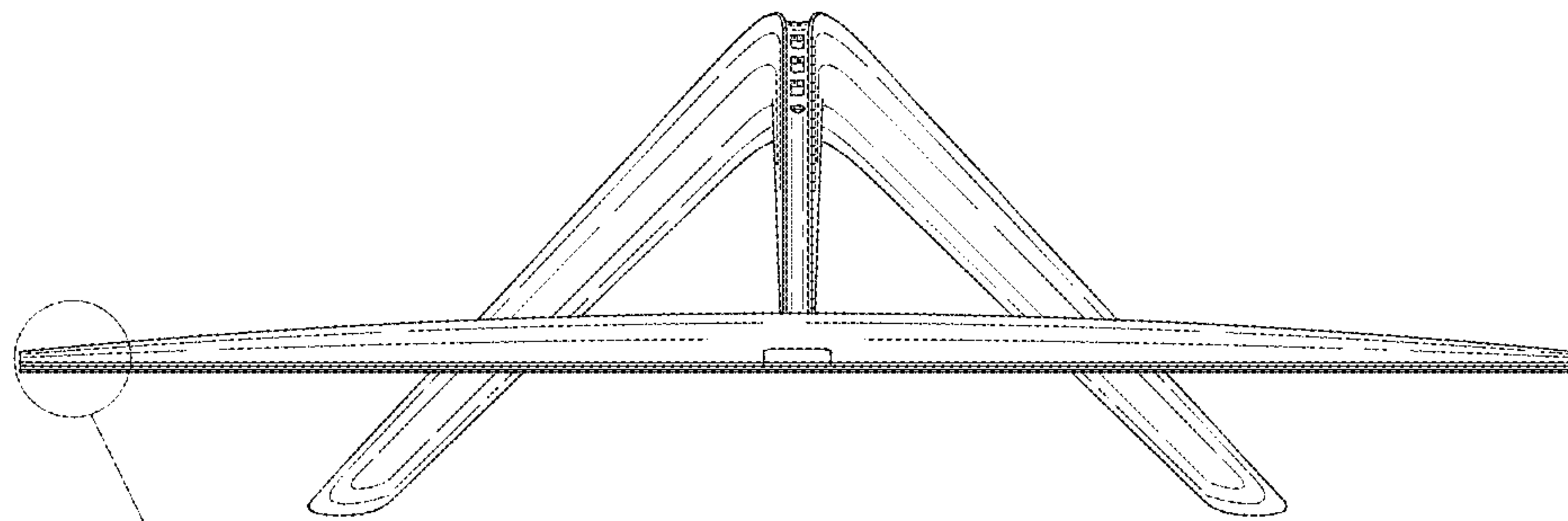


Figure 8

Figure 7

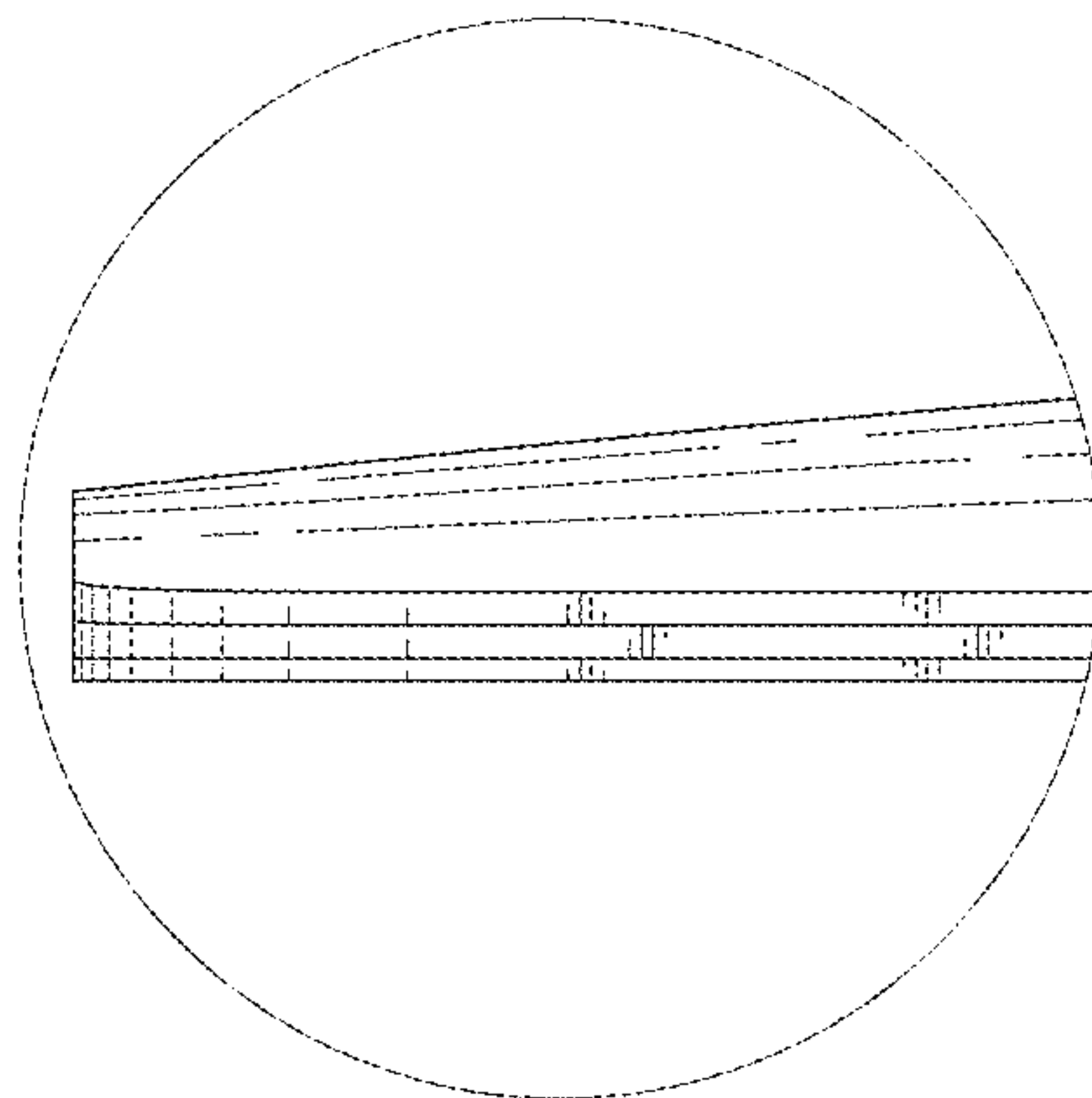


Figure 8

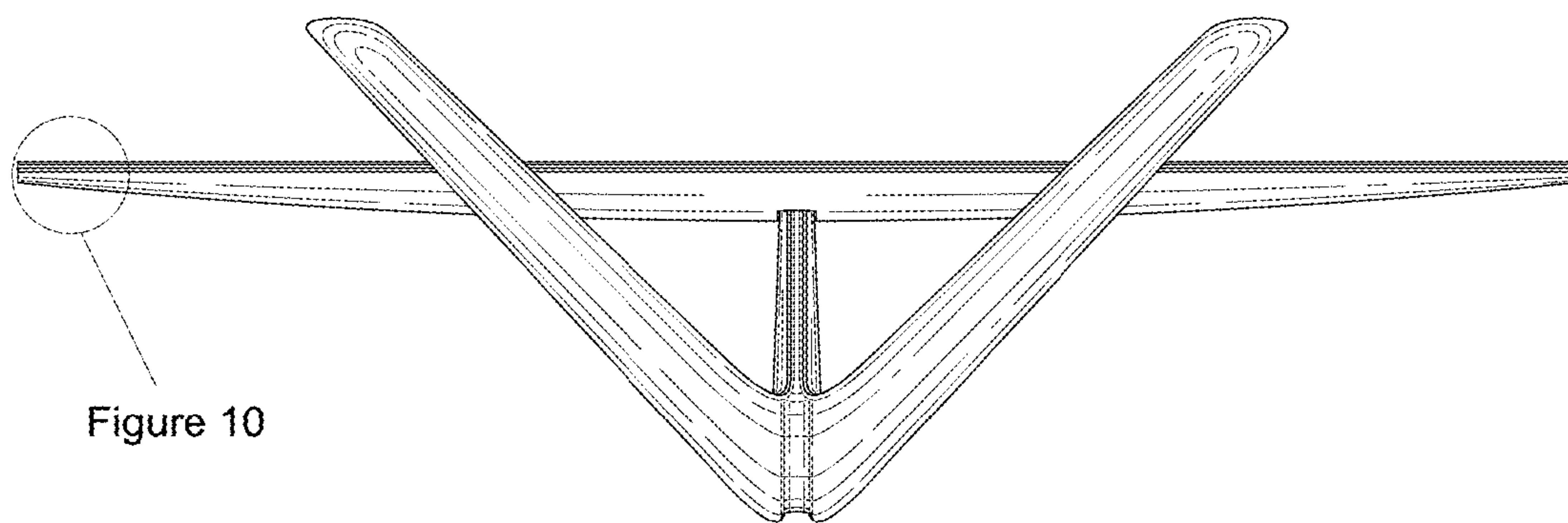


Figure 10

Figure 9

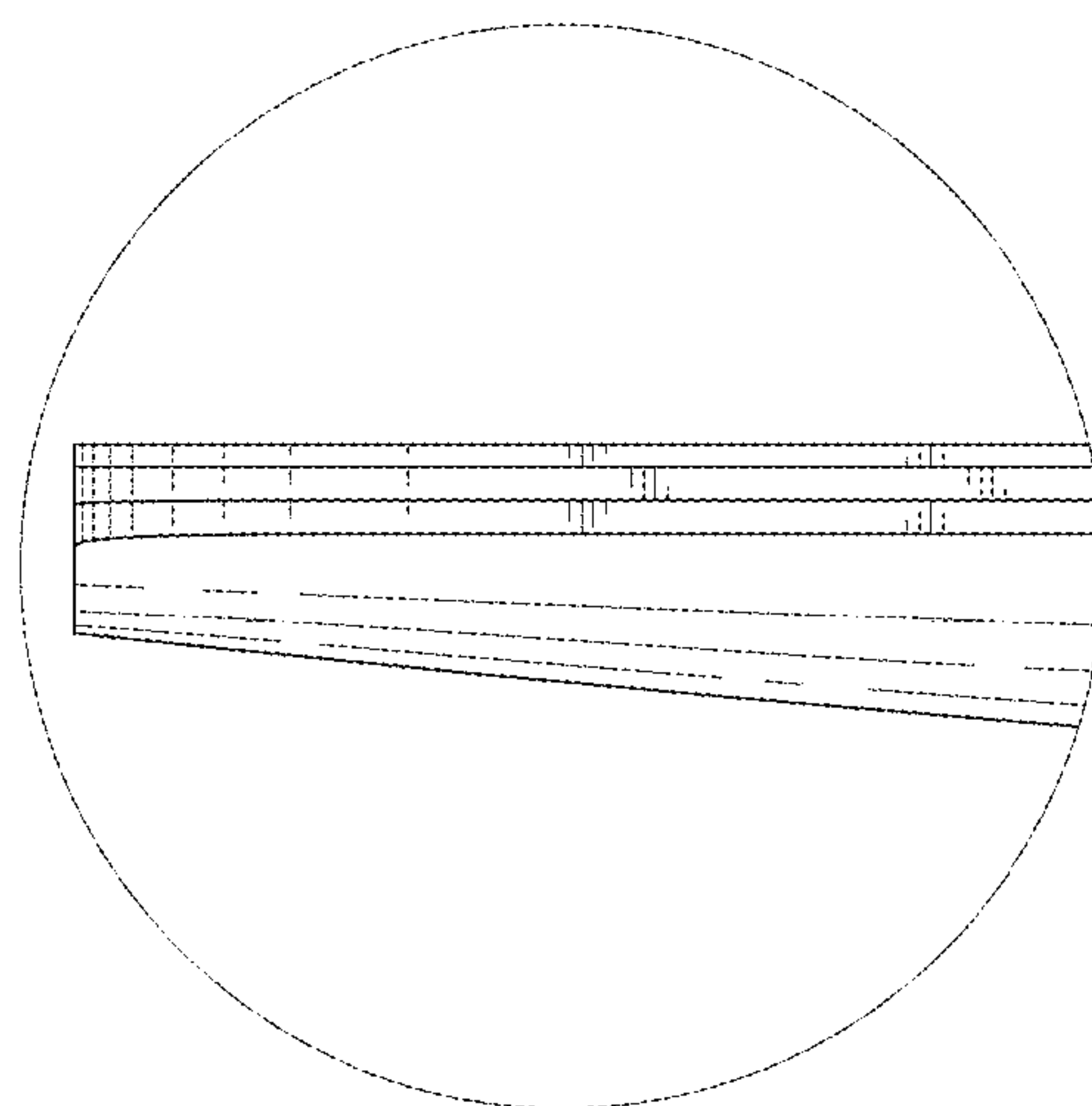


Figure 10

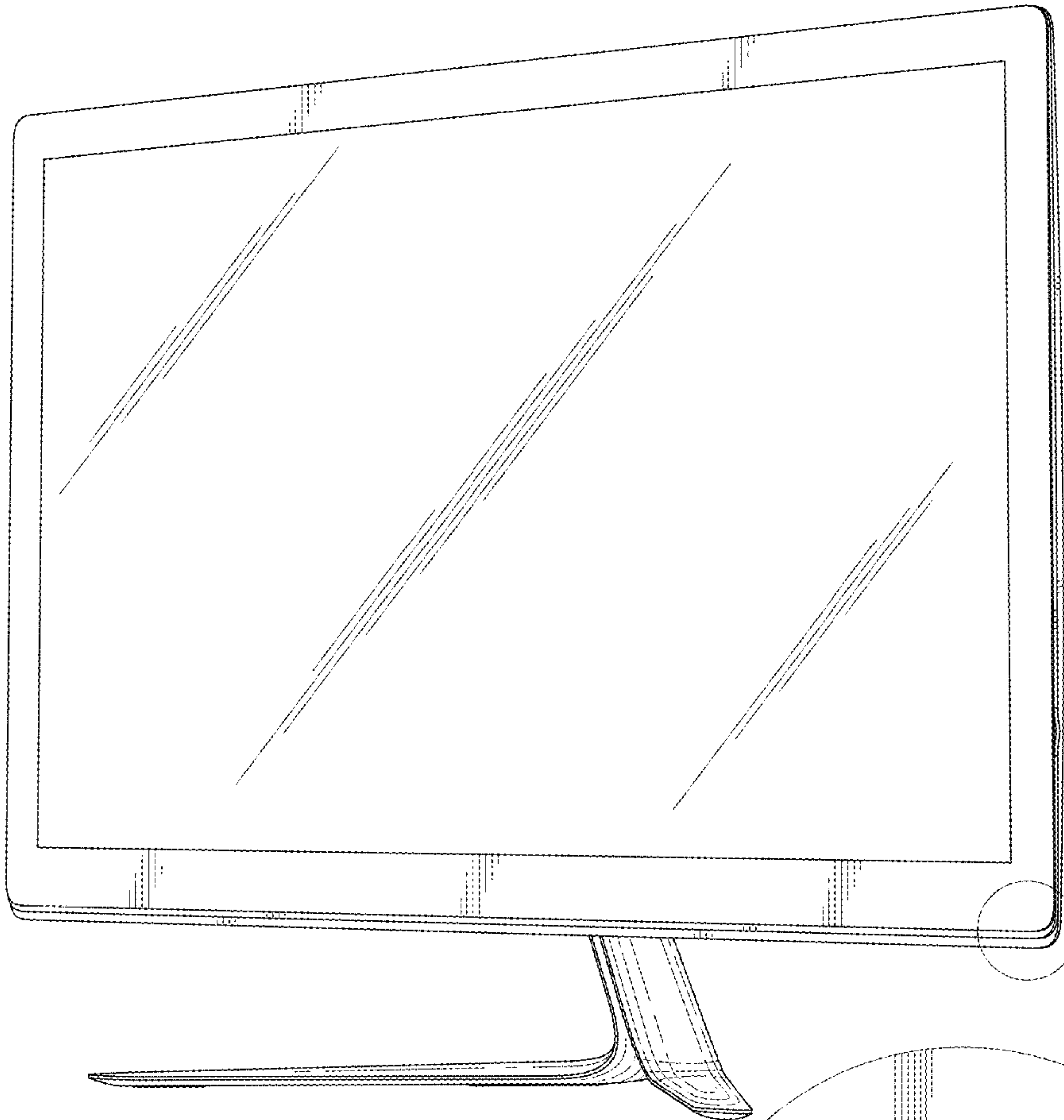


Figure 11

Figure 12

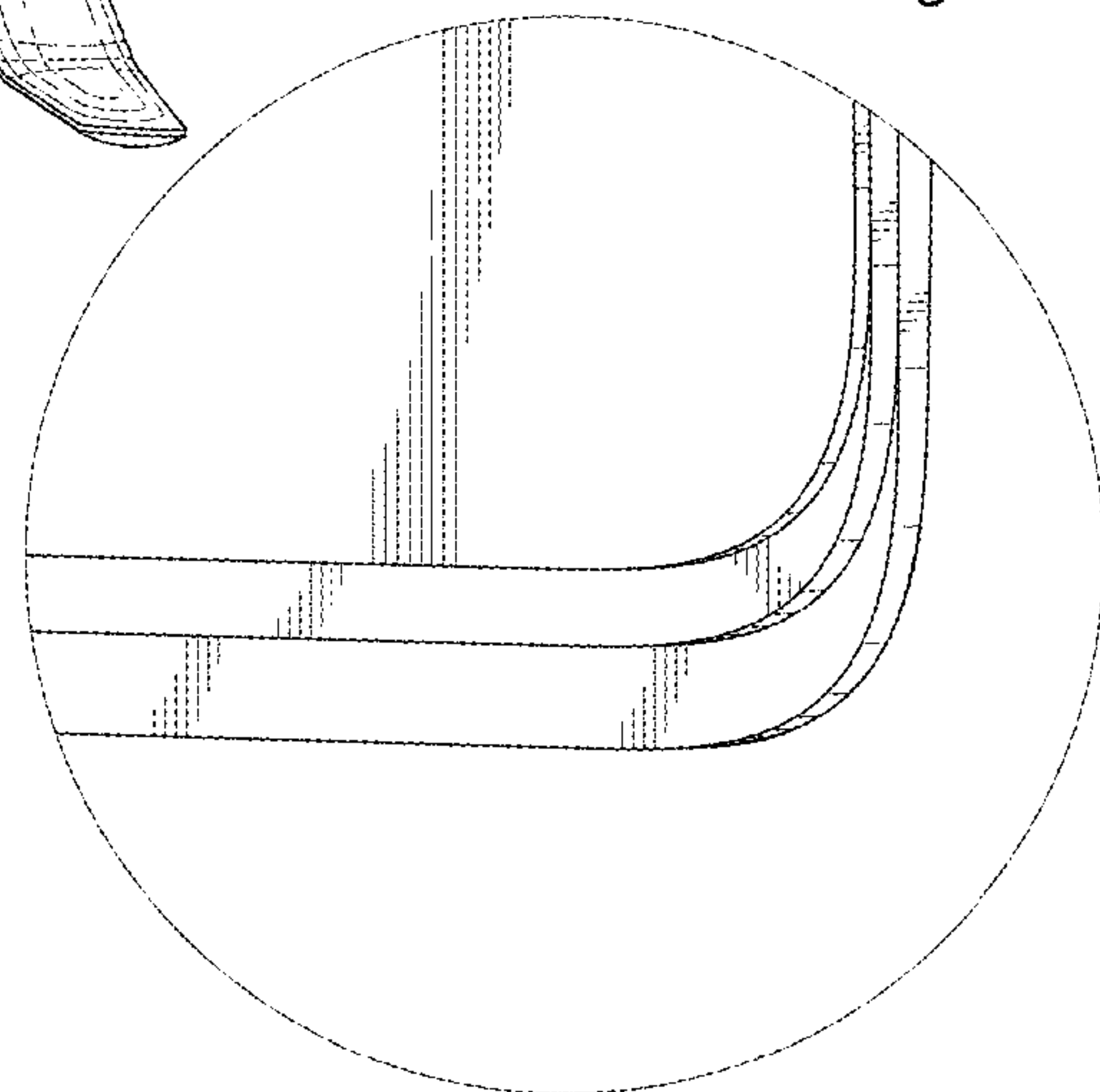


Figure 12

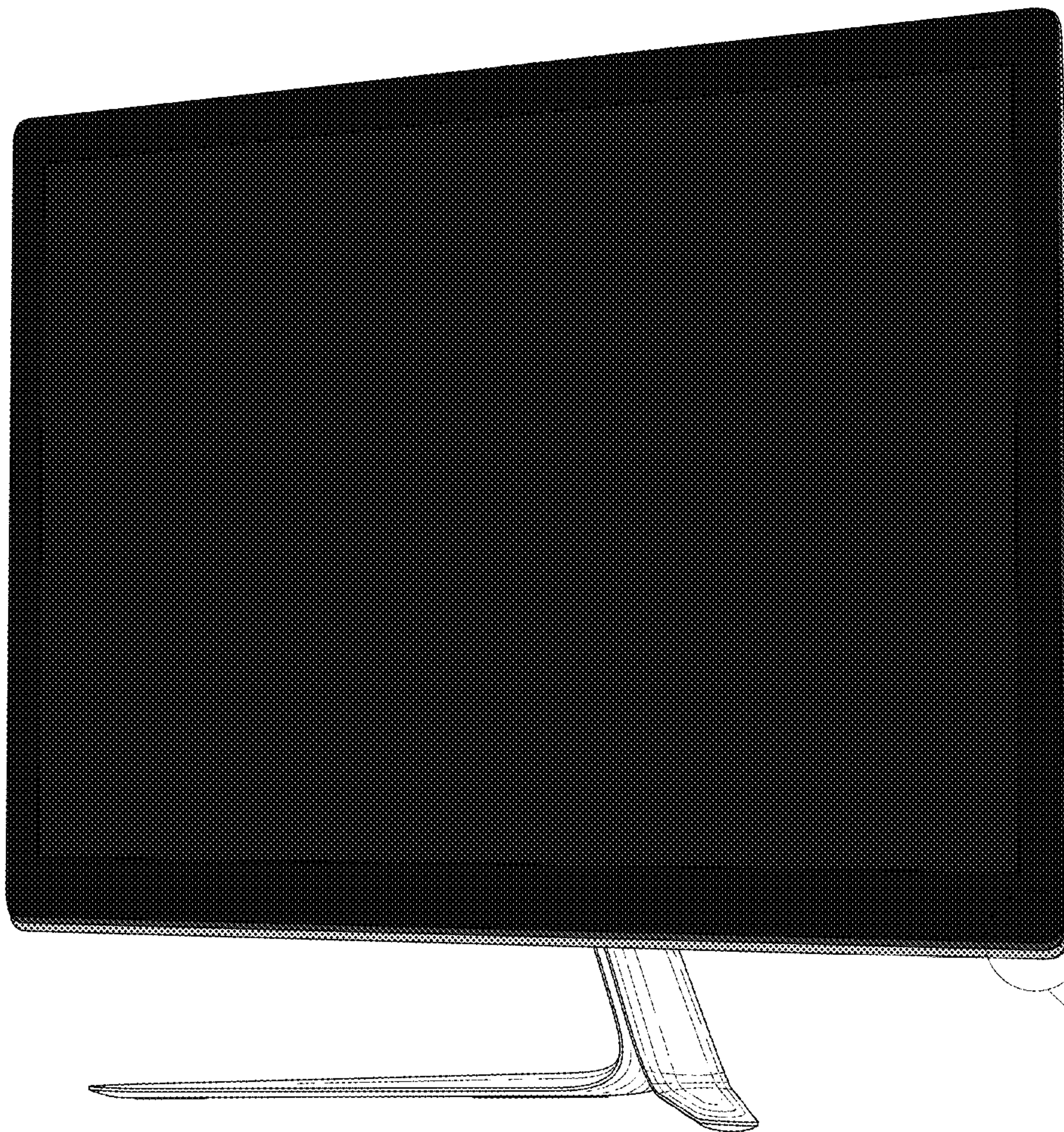


Figure 13

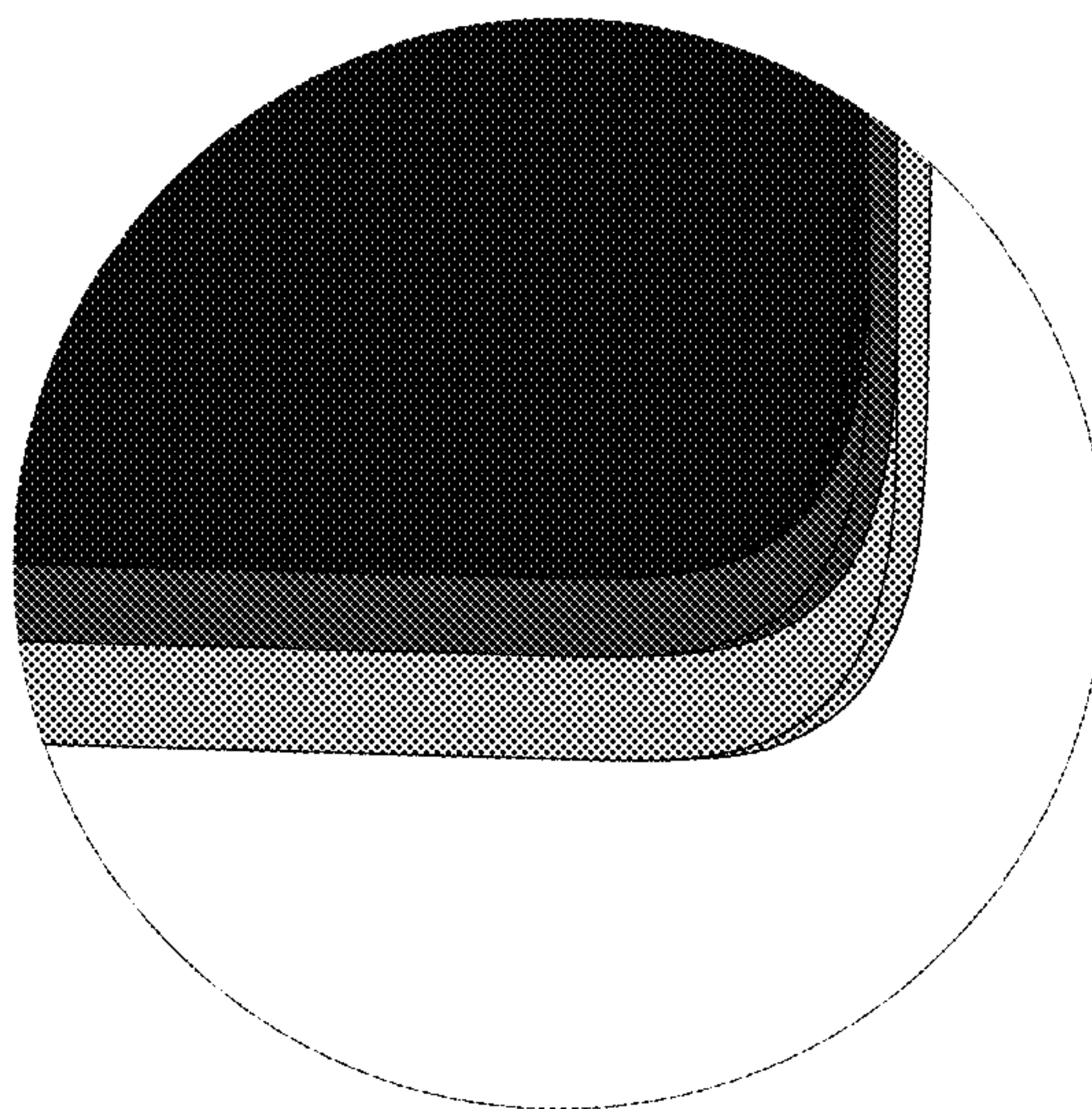


Figure 14

Figure 14