

US00D769873S

(12) **United States Design Patent** (10) **Patent No.:** **US D769,873 S**
Cazalet et al. (45) **Date of Patent:** **** Oct. 25, 2016**

(54) **INTERCHANGEABLE/WEARABLE HINGED DISPLAY DEVICE ASSEMBLY**

(71) Applicant: **Google Inc.**, Mountain View, CA (US)

(72) Inventors: **Peter Michael Cazalet**, Campbell, CA (US); **Maj Isabelle Olsson**, San Francisco, CA (US); **Matthew Wyatt Martin**, Ross, CA (US)

(73) Assignee: **Google Inc.**, Mountain View, CA (US)

(**) Term: **14 Years**

(21) Appl. No.: **29/495,219**

(22) Filed: **Jun. 27, 2014**

(51) **LOC (10) Cl.** **14-02**

(52) **U.S. Cl.**
USPC **D14/372**

(58) **Field of Classification Search**
USPC D14/372, 496, 432, 371, 125, 126, 129, D14/299; D16/300-342; 351/158, 153, 144; 345/7-9, 905; 455/344; 348/115, 53, 348/121, 739
CPC G02B 27/017; G02B 27/0158; G02B 27/0161; G02B 27/0181; G02B 27/0185; G02B 27/0189

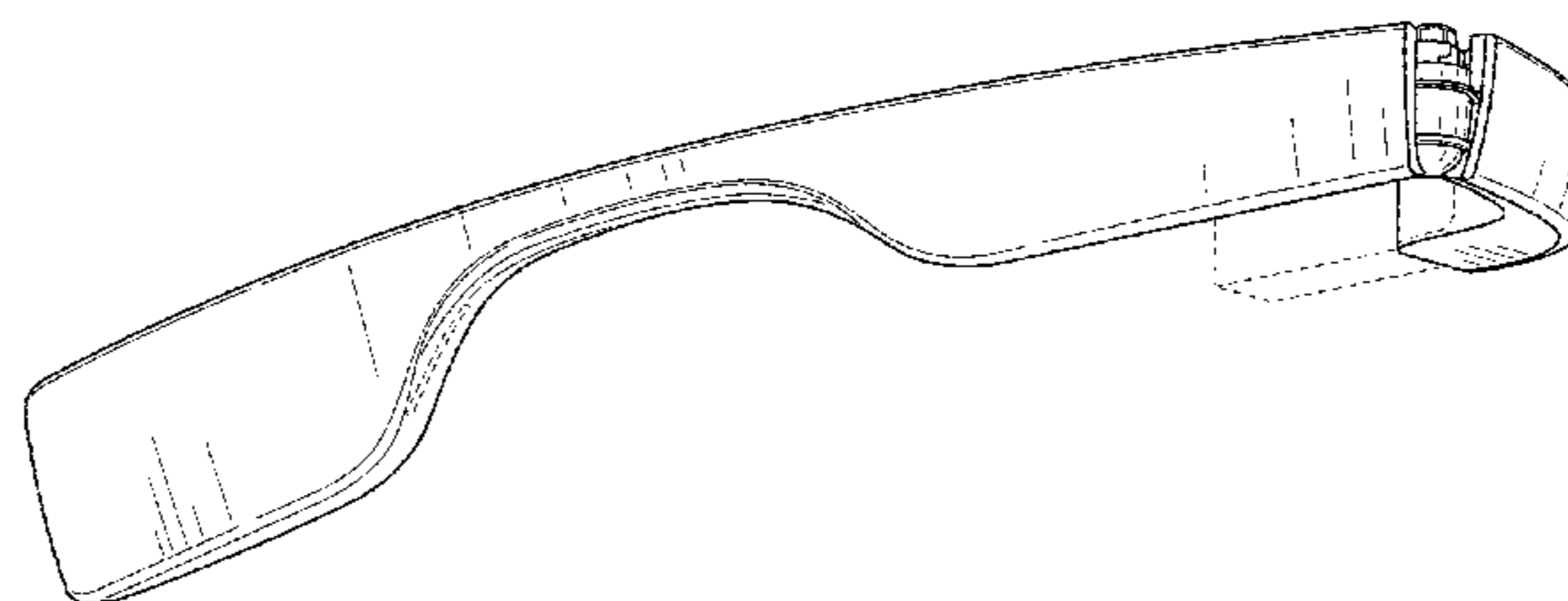
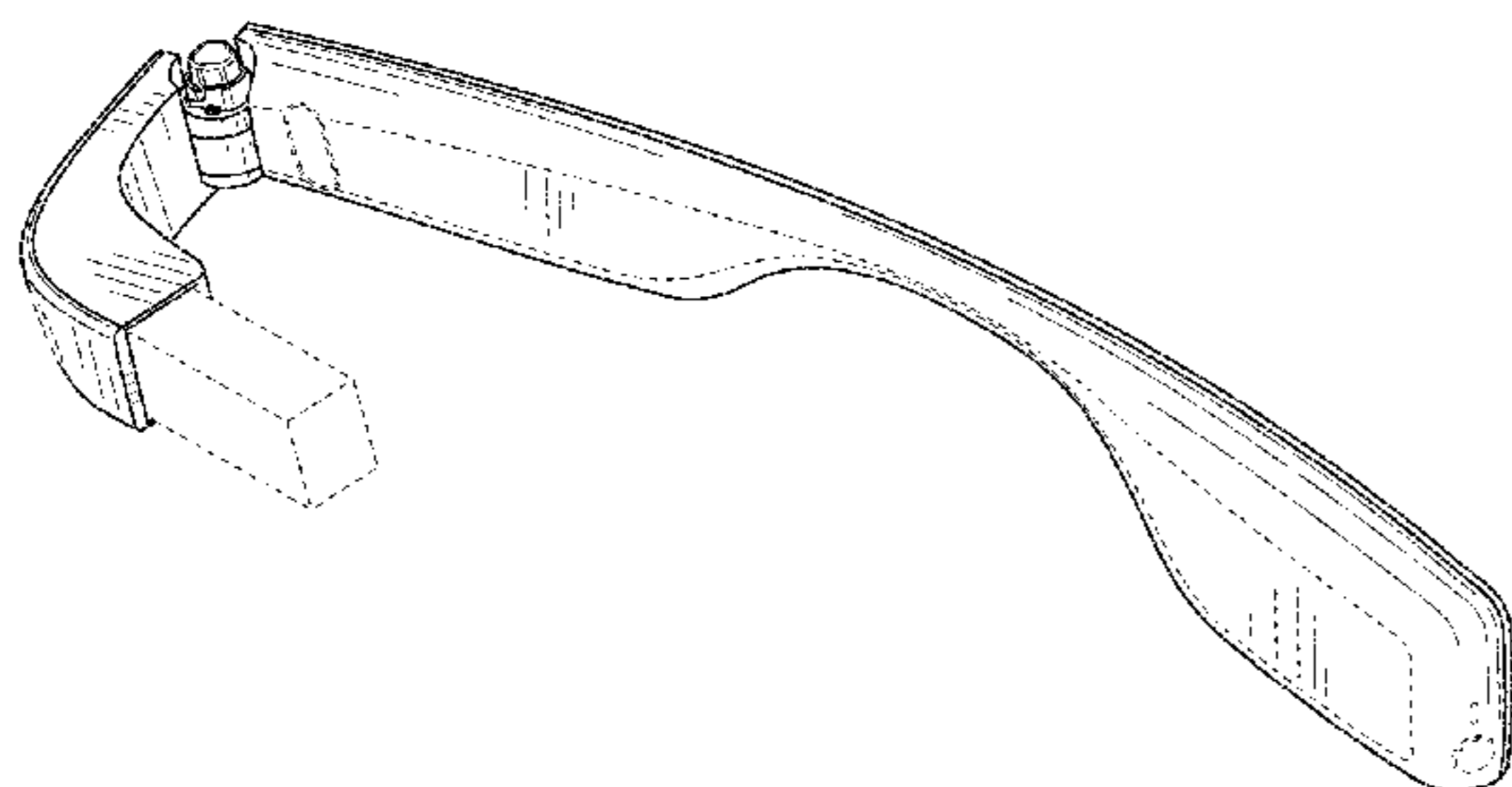
See application file for complete search history.

(56) **References Cited**

U.S. PATENT DOCUMENTS

D327,079 S 6/1992 Allen
D402,651 S 12/1998 Depay et al.
7,631,968 B1 12/2009 Dobson et al.
7,753,520 B2 7/2010 Fuziak, Jr.
D624,111 S 9/2010 Knoop
D649,177 S 11/2011 Cho et al.
8,136,940 B2 3/2012 Tsai
D659,137 S 5/2012 Matsumoto
D659,739 S 5/2012 Olsson et al.
D659,740 S * 5/2012 Olsson D16/300
D659,741 S 5/2012 Heinrich et al.
D660,341 S 5/2012 Olsson et al.
D662,964 S 7/2012 Olsson et al.

D664,184 S 7/2012 Olsson et al.
D664,185 S 7/2012 Heinrich et al.
D664,586 S 7/2012 Olsson
D666,237 S 8/2012 Olsson et al.
D669,066 S 10/2012 Olsson et al.
D669,522 S 10/2012 Klinar et al.
D671,589 S 11/2012 Olsson
D680,152 S 4/2013 Olsson et al.
D685,019 S 6/2013 Li
D697,130 S 1/2014 Lovgren
D697,962 S 1/2014 Olsson
D701,506 S 3/2014 Pombo
D703,724 S 4/2014 Olsson
D704,247 S 5/2014 Olsson et al.
D708,181 S 7/2014 Olsson et al.
D711,374 S * 8/2014 Lee D14/372
D711,376 S 8/2014 Lee et al.
D716,299 S 10/2014 Olsson et al.
D716,805 S 11/2014 Olsson et al.
D716,806 S 11/2014 Olsson et al.
D716,807 S 11/2014 Yeom et al.
D716,808 S * 11/2014 Yeom D14/372
D718,305 S 11/2014 Olsson et al.
D718,366 S 11/2014 Mehin et al.
D718,765 S 12/2014 Olsson
D719,157 S 12/2014 Lee et al.
D719,567 S 12/2014 Kim et al.
D719,568 S 12/2014 Heinrich et al.
D719,952 S 12/2014 Kim et al.
D723,553 S 3/2015 Choo et al.
D724,082 S 3/2015 Olsson et al.
D725,101 S 3/2015 Lee et al.
D725,102 S * 3/2015 Lee D14/372
D725,103 S 3/2015 Olsson et al.
D725,104 S 3/2015 Olsson et al.
D725,105 S 3/2015 Olsson et al.
D725,106 S 3/2015 Olsson et al.
D725,654 S 3/2015 Lee et al.
8,968,012 B2 3/2015 Olsson et al.
8,976,085 B2 3/2015 Olsson et al.
D726,720 S 4/2015 Lee et al.
D726,721 S 4/2015 Olsson
D727,317 S * 4/2015 Olsson D14/372
D728,564 S * 5/2015 Olsson D14/372
D733,709 S 7/2015 Kawai
D734,332 S 7/2015 Olsson et al.
D737,272 S 8/2015 Olsson et al.
D738,373 S 9/2015 Davies et al.
D738,420 S 9/2015 Lee et al.
D740,284 S 10/2015 Maeda et al.
D740,813 S 10/2015 Bosveld et al.
D740,815 S 10/2015 Bosveld et al.
D745,007 S * 12/2015 Cazalet D14/372



D746,818 S	1/2016	Cho et al.	
D749,074 S *	2/2016	Cazalet	D14/372
D751,551 S	3/2016	Ho et al.	
2002/0021407 A1 *	2/2002	Elliott	G02C 11/00 351/158
2008/0198324 A1 *	8/2008	Fuziak	G02B 27/0172 351/158
2010/0073262 A1 *	3/2010	Matsumoto	G02B 27/0176 345/8
2010/0245757 A1	9/2010	Sugihara et al.	
2011/0012814 A1 *	1/2011	Tanaka	G02B 27/0176 345/8
2013/0044042 A1 *	2/2013	Olsson	G02B 27/0176 345/8
2013/0169922 A1	7/2013	Austin	
2013/0235331 A1	9/2013	Heinrich et al.	
2013/0249776 A1	9/2013	Olsson et al.	
2013/0258270 A1	10/2013	Cazalet et al.	
2014/0028968 A1	1/2014	Olsson et al.	
2014/0059803 A1	3/2014	Kidouchim	
2014/0218269 A1	8/2014	Cazalet et al.	
2014/0364967 A1	12/2014	Sullivan	

FOREIGN PATENT DOCUMENTS

JP	2013044833 A	3/2013
JP	D1470899	6/2013
JP	D1481043	10/2013
JP	D1481044	10/2013
JP	D1486009	12/2013
JP	D1486010	12/2013
JP	D1486011	12/2013
JP	D1486012	12/2013
JP	D1486013	12/2013
JP	D1486014	12/2013
JP	D1500090	6/2014
JP	d1521286	4/2015
JP	D1528431	7/2015
KR	30-0713083	10/2013
KR	30-0713083-01	10/2013
KR	30-0727568	1/2014
KR	30-0727569	1/2014
KR	2014-0035106	3/2014
TW	D98172	4/1988
TW	D155850	9/2013
TW	D161033	6/2014
TW	D163326	10/2014

OTHER PUBLICATIONS

“6 Glasses With Integrated Displays That You Can Buy Today” [online], retrieved from the internet: <<http://www.wired.com/2012/04/6-glasses-with-integrated-displays-that-you-can-buy-today>>, Apr. 11, 2012.

Optical head-mounted display, from Wikipedia, Sep. 18, 2014.

International Search Report and Written Opinion for PCT Application No. PCT/US2015/044834, dated Nov. 19, 2015.

Examination Report for Taiwanese Design Patent Application No. 103307586, dated Nov. 20, 2015.

Kadokawa Corporation. “Weekly Ascii.” No. 877, vol. 24, p. 12. Published Apr. 10, 2012.

Kadokawa Corporation. “Weekly Ascii.” No. 937, vol. 25, p. 18. Published on Jul. 1, 2013.

Tim Spears. “Jet sports smart-glasses created by recon instruments and woke design.” designboom. Oct. 6, 2014. Retrieved from the Internet. <<http://www.designboom.com/technology/jet-sports-smart-glasses-recon-10-06-2014/>>.

Examination Report dated Jun. 16, 2016, for Taiwanese Design Patent Application No. 103307627.

Examination Report dated May 26, 2016, for Taiwanese Design Patent Application No. 105300731.

* cited by examiner

Primary Examiner — Austin Murphy
 (74) Attorney, Agent, or Firm — Lerner, David,
 Littenberg, Krumholz & Mentlik, LLP

(57)

CLAIM

The ornamental design for an interchangeable/wearable hinged display device assembly, as shown and described.

DESCRIPTION

This application is related to co-pending and co-owned U.S. application Ser. No. 29/494,817, entitled Wearable Hinged Display Device, filed on Jun. 24, 2014, U.S. application Ser. No. 29/494,823, entitled Wearable Hinged Display Device, filed on Jun. 24, 2014, and U.S. application Ser. No. 29/495,221, entitled interchangeable Eyewear Assembly, filed on Jun. 27, 2014, the disclosures all of which are incorporated herein by reference.

FIG. 1 is a front perspective view of a component of an interchangeable/wearable hinged display device assembly according to an embodiment of our design in an open position;

FIG. 2 is a front elevation view of the component of the interchangeable/wearable hinged display device assembly of FIG. 1;

FIG. 3 is a back elevation view of the component of the interchangeable/wearable hinged display device assembly of FIG. 1;

FIG. 4 is a right elevation view of the component of the interchangeable/wearable hinged display device assembly of FIG. 1;

FIG. 5 is a left elevation view of the component of the interchangeable/wearable hinged display device assembly of FIG. 1;

FIG. 6 is a top elevation view of the component of the interchangeable/wearable hinged display device assembly of FIG. 1;

FIG. 7 is a bottom elevation view of the component of the interchangeable/wearable hinged display device assembly of FIG. 1;

FIG. 8 is a front perspective view of a component of an interchangeable/wearable hinged display device assembly according to an embodiment of our design in a folded position;

FIG. 9 is a front elevation view of the component of the interchangeable/wearable hinged display device assembly of FIG. 8;

FIG. 10 is a back elevation view of the component of the interchangeable/wearable hinged display device assembly of FIG. 8;

FIG. 11 is a right elevation view of the component of the interchangeable/wearable hinged display device assembly of FIG. 8;

FIG. 12 is a left elevation view of the component of the interchangeable/wearable hinged display device assembly of FIG. 8;

FIG. 13 is a top elevation view of the component of the interchangeable/wearable hinged display device assembly of FIG. 8;

FIG. 14 is a bottom elevation view of the component of the interchangeable/wearable hinged display device assembly of FIG. 8; and,

FIG. 15 is a rear perspective view of the component of the interchangeable/wearable hinged display device assembly of FIG. 8.

Broken lines are environmental only and form no part of the claimed design.

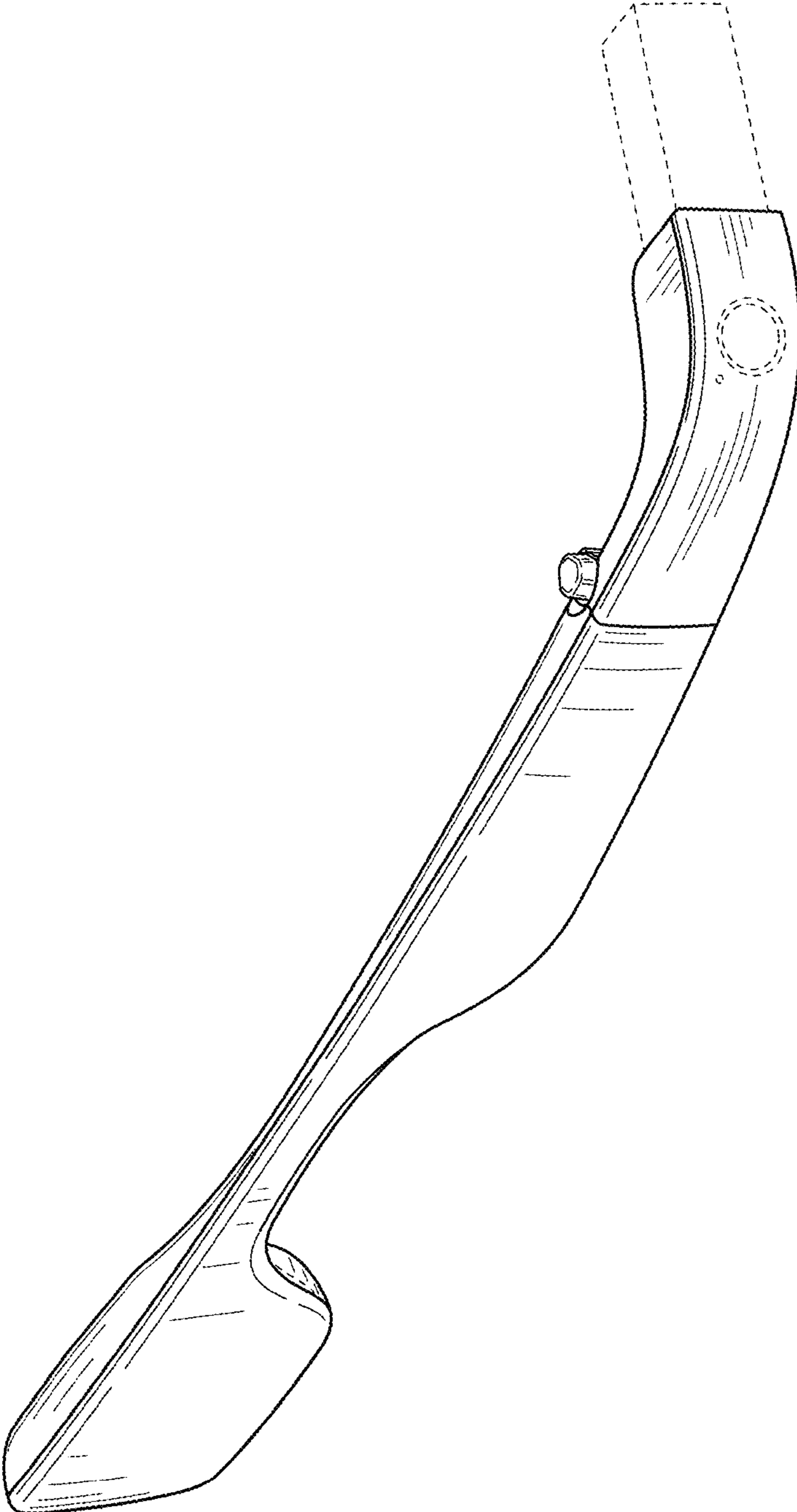


FIG. 1

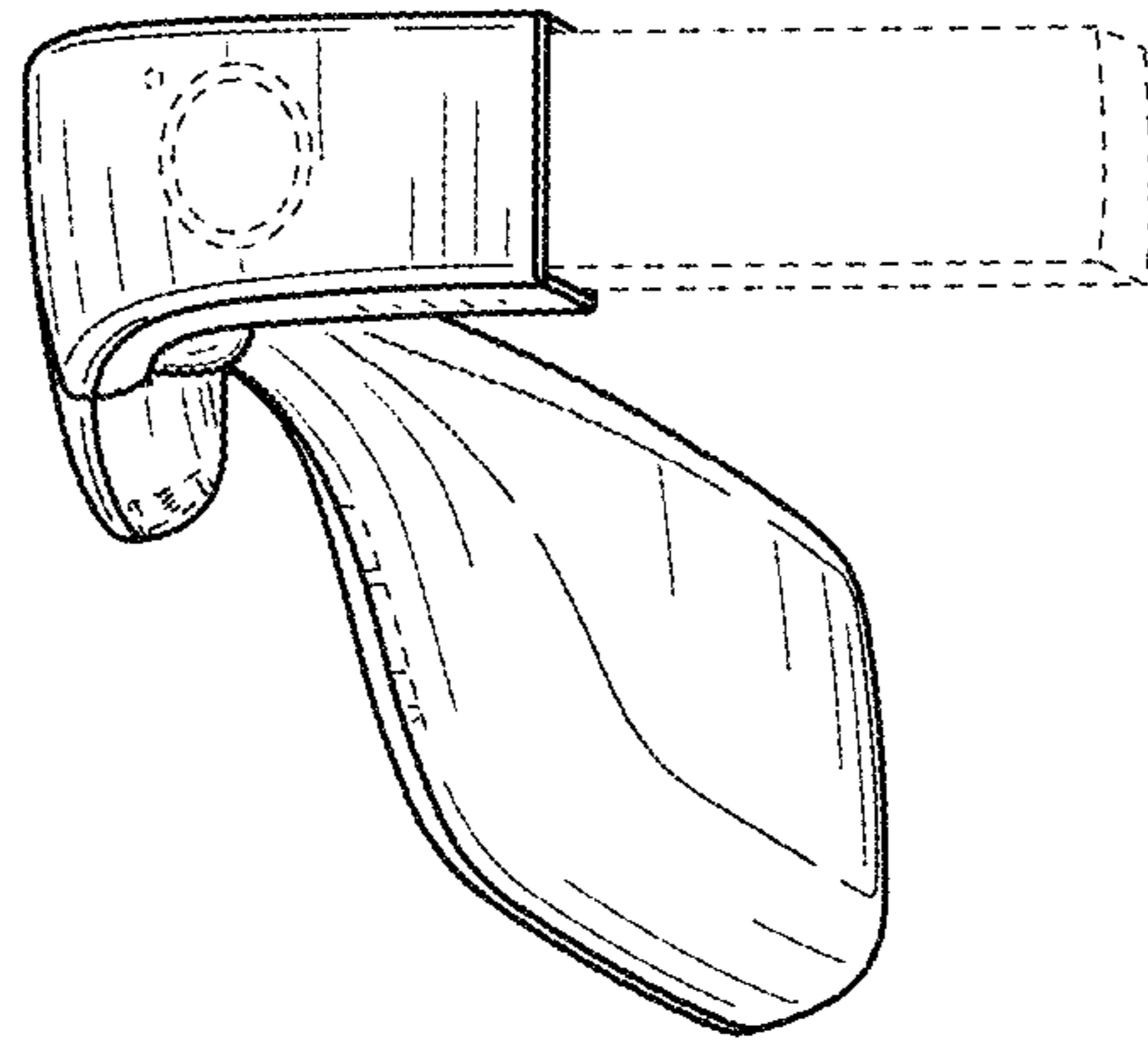


FIG. 2

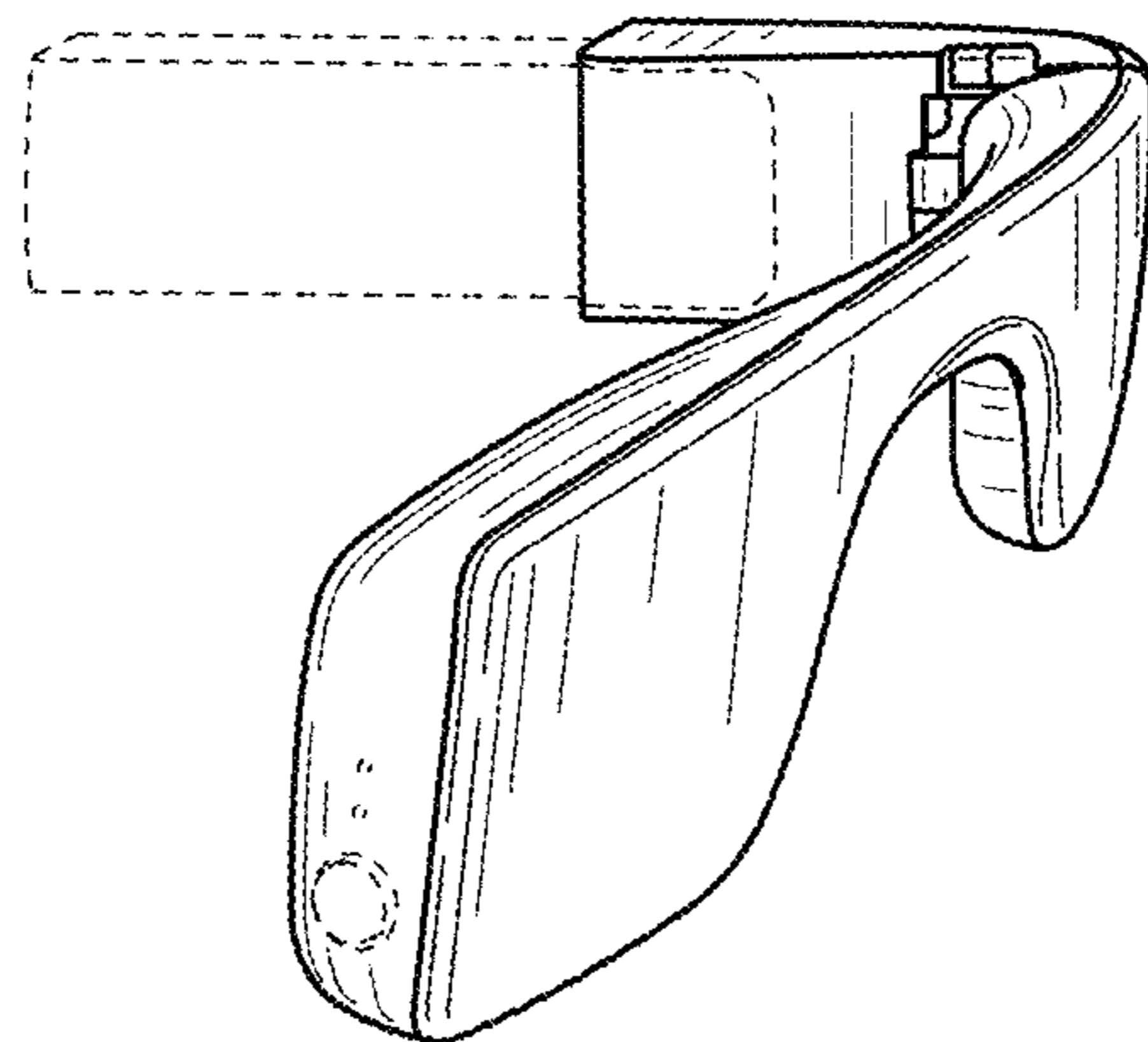


FIG. 3

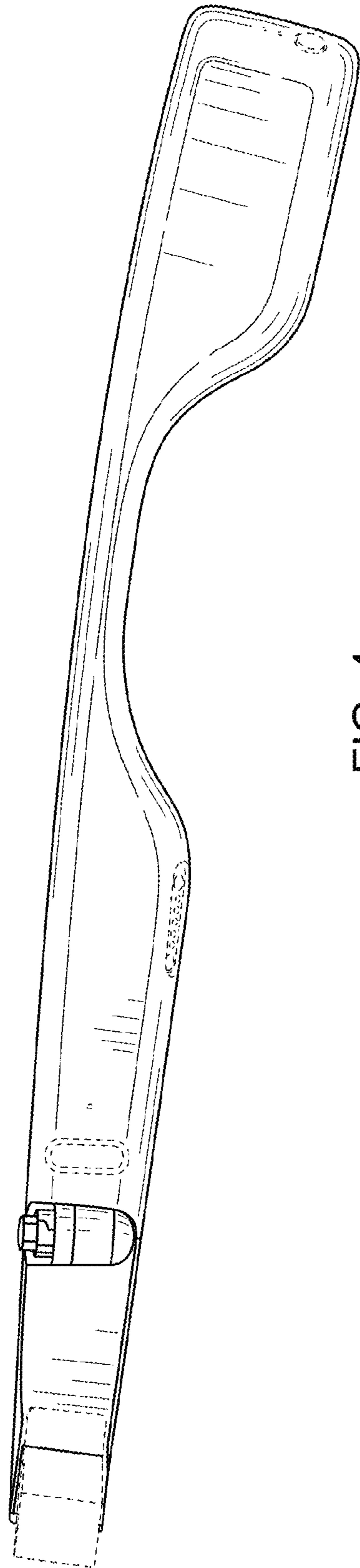


FIG. 4

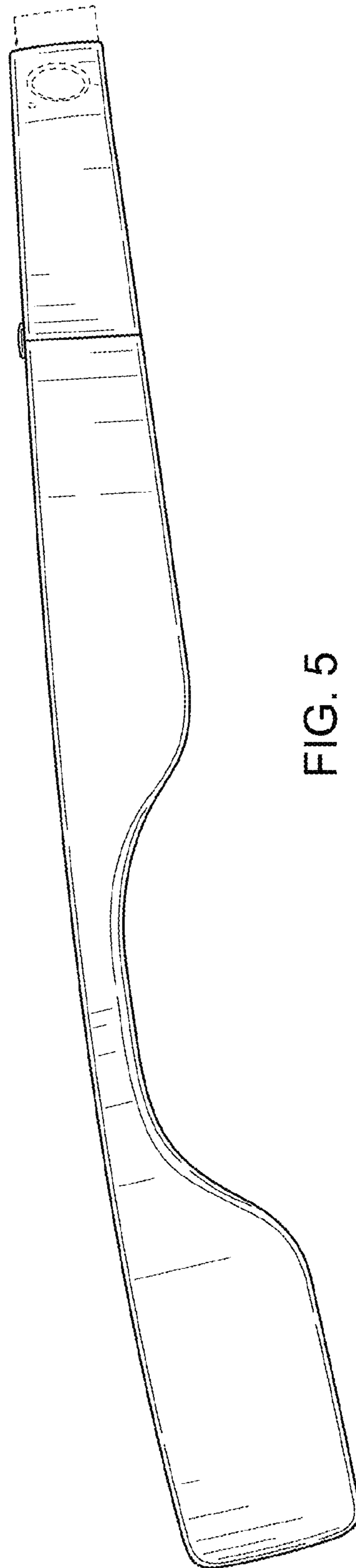


FIG. 5

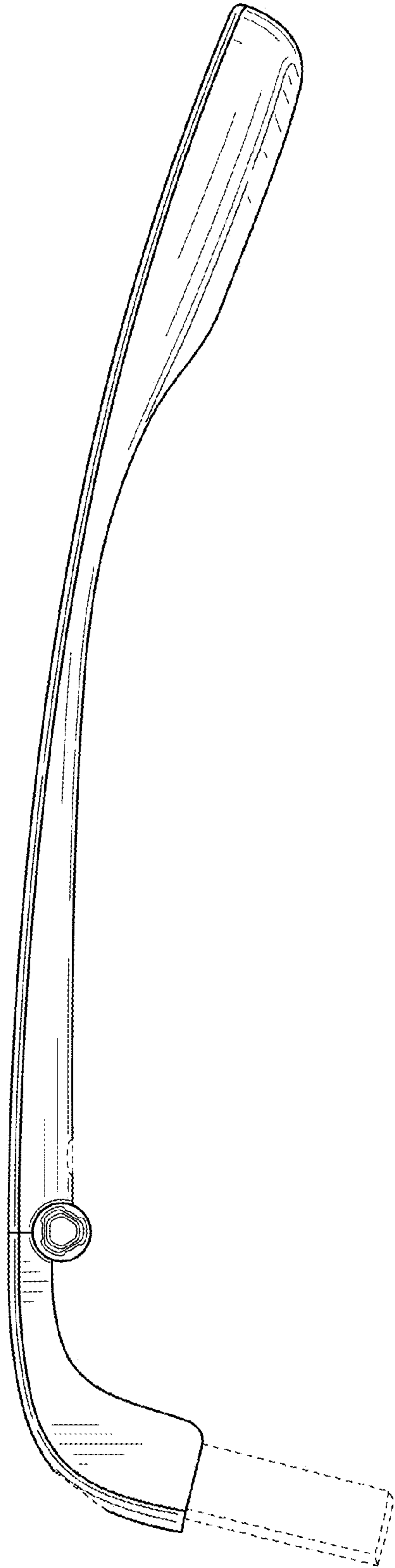


FIG. 6

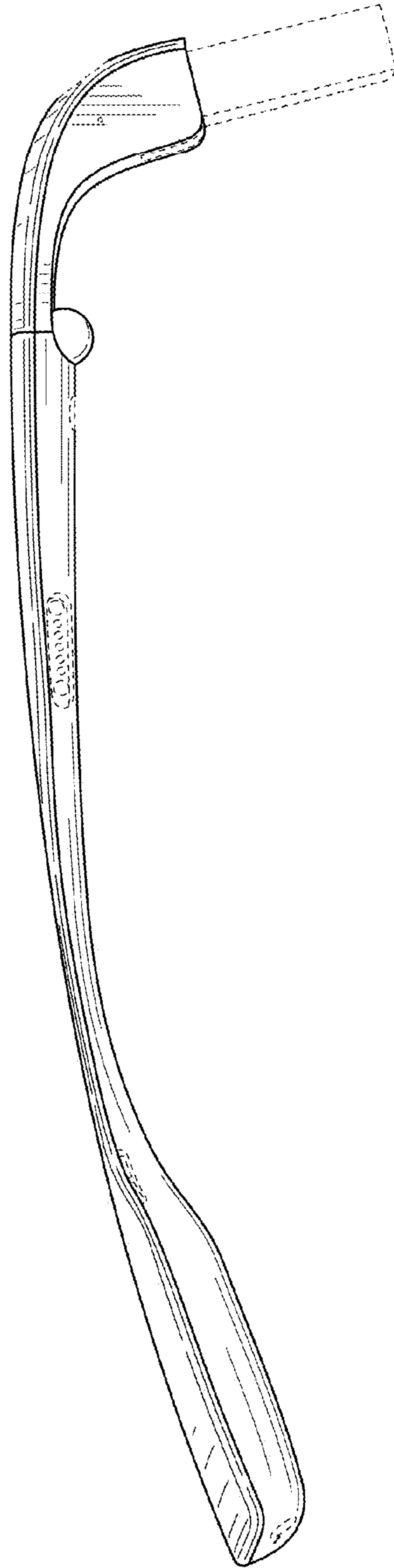


FIG. 7

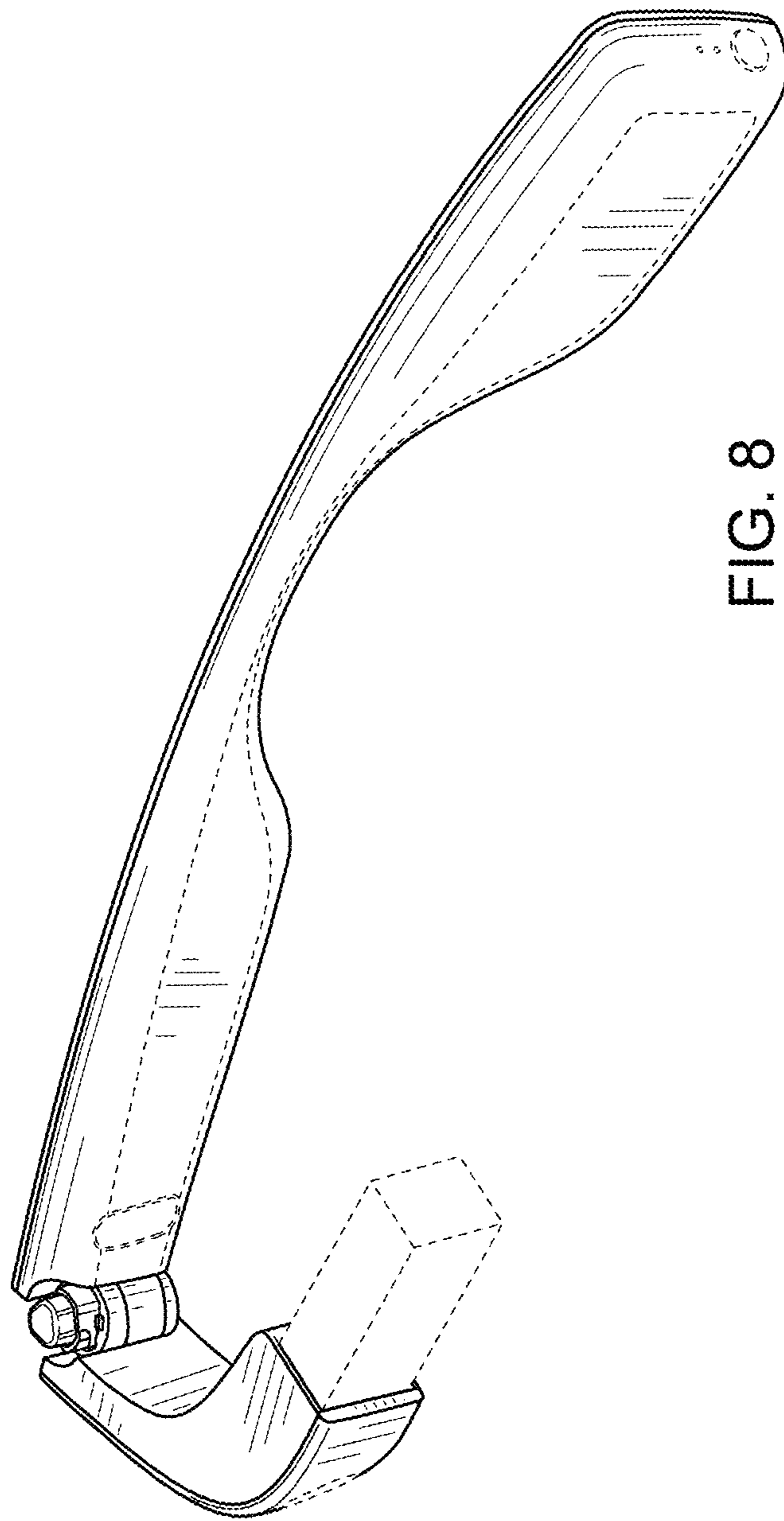


FIG. 8

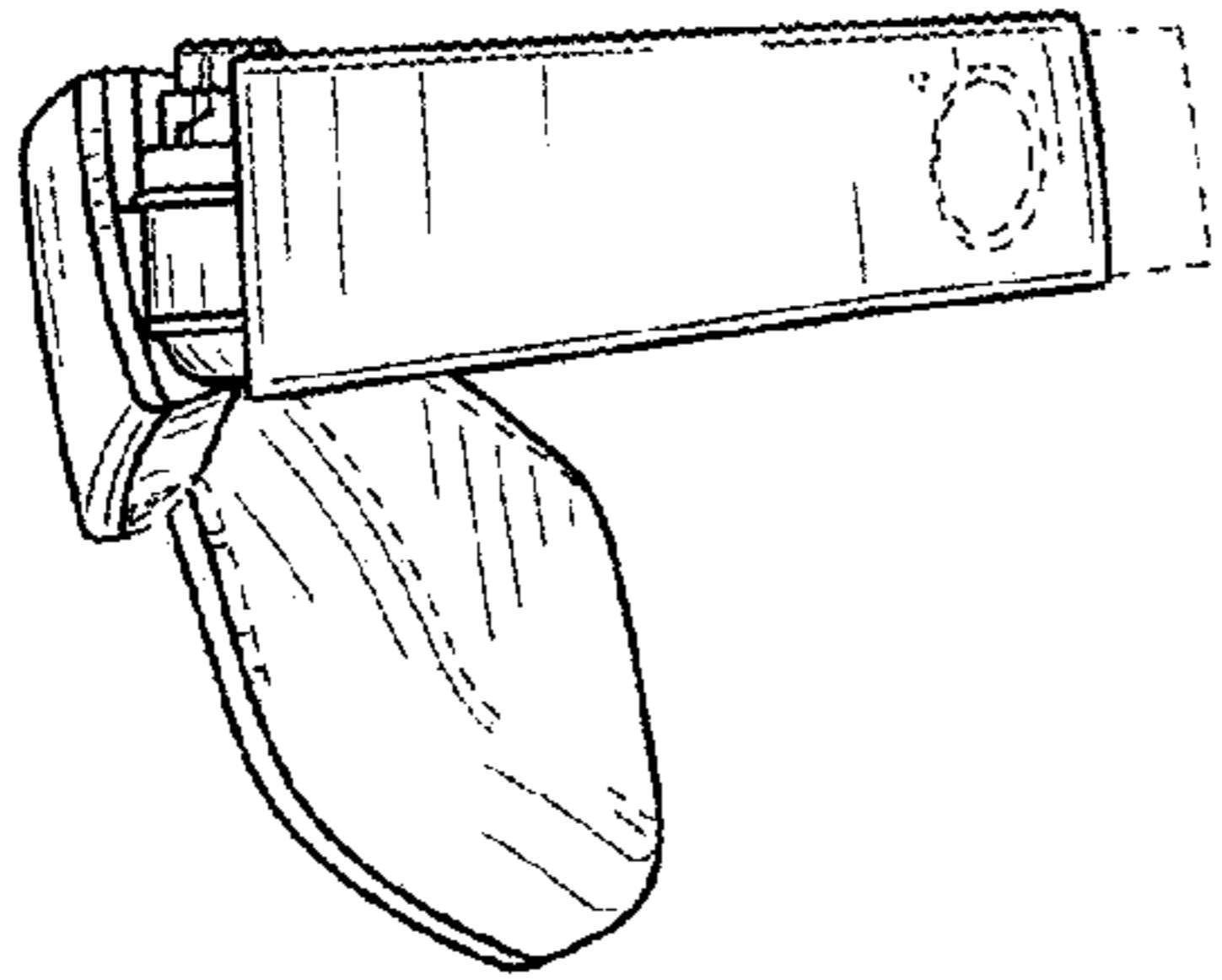


FIG. 9

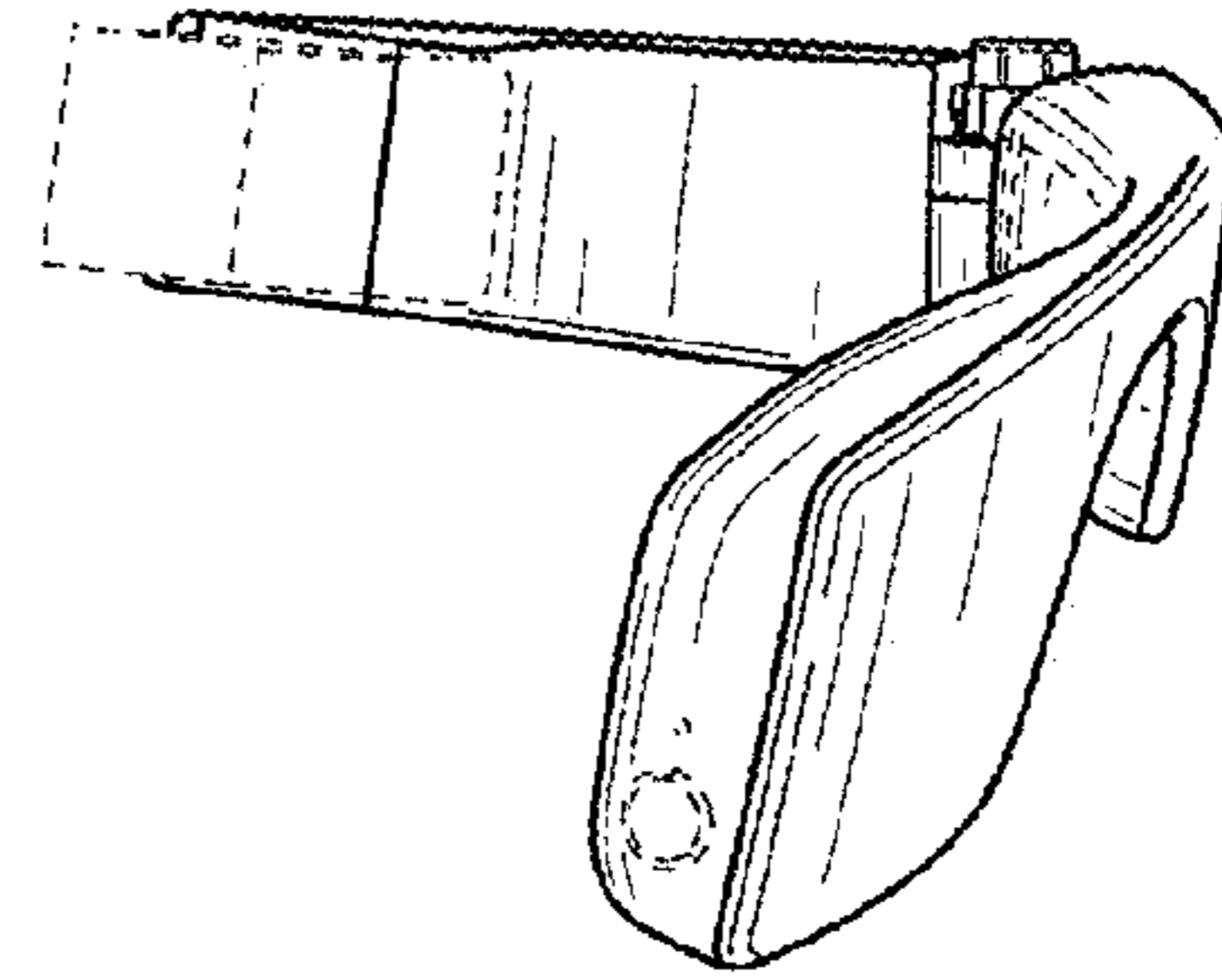


FIG. 10

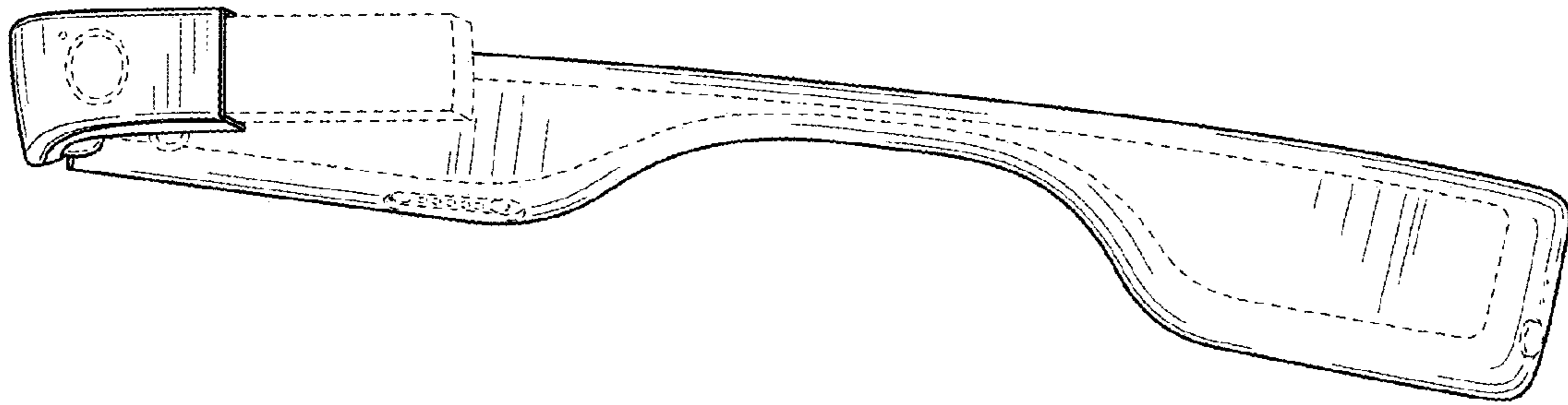


FIG. 11

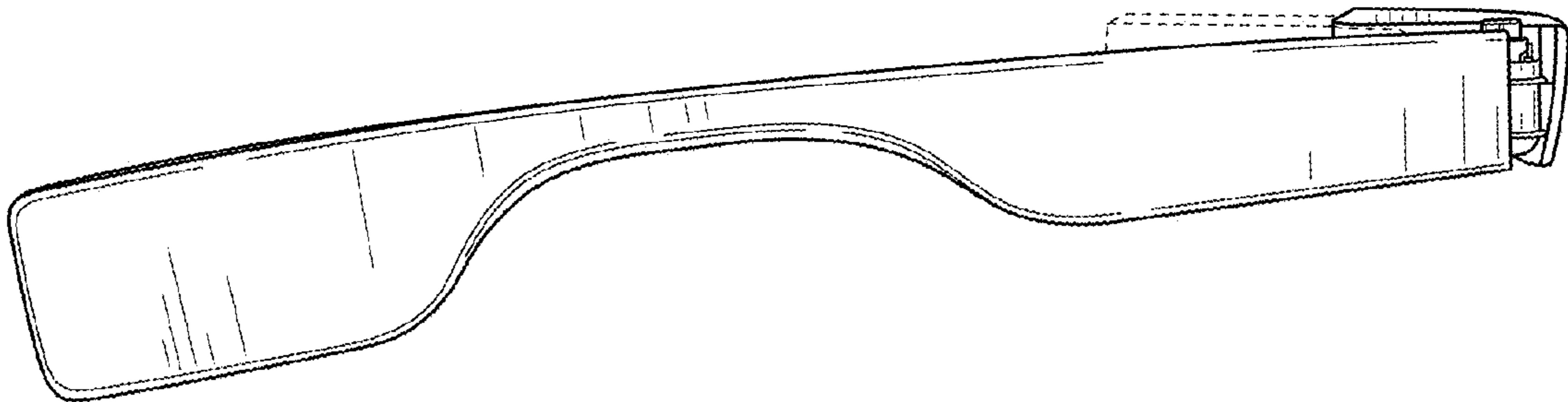


FIG. 12

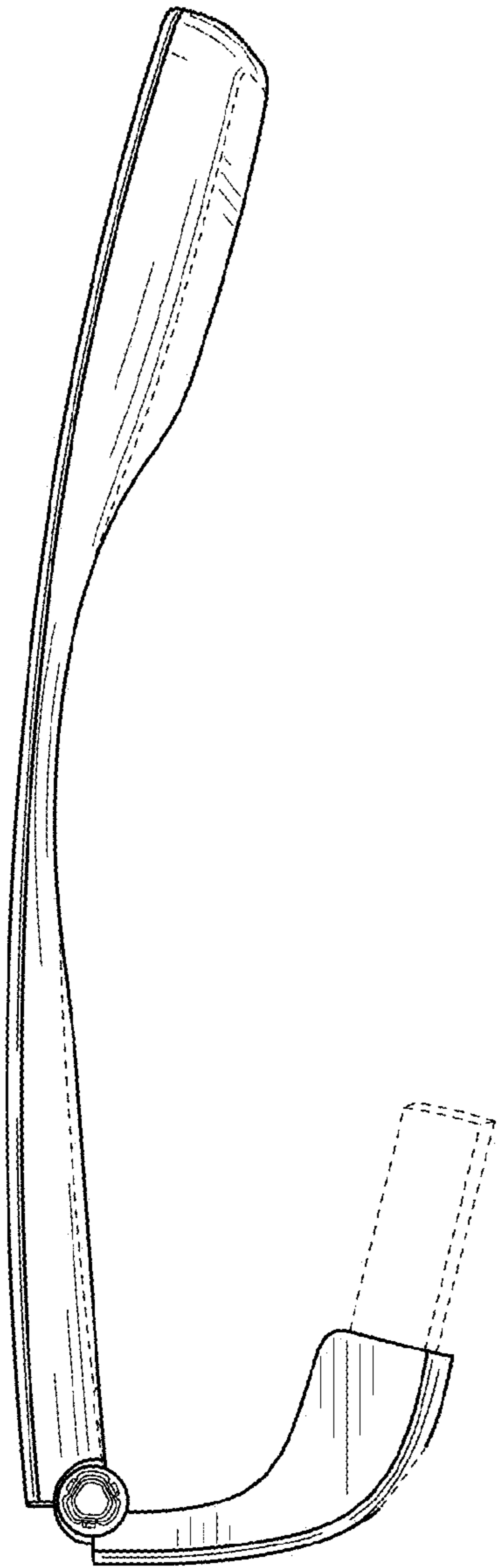


FIG. 13

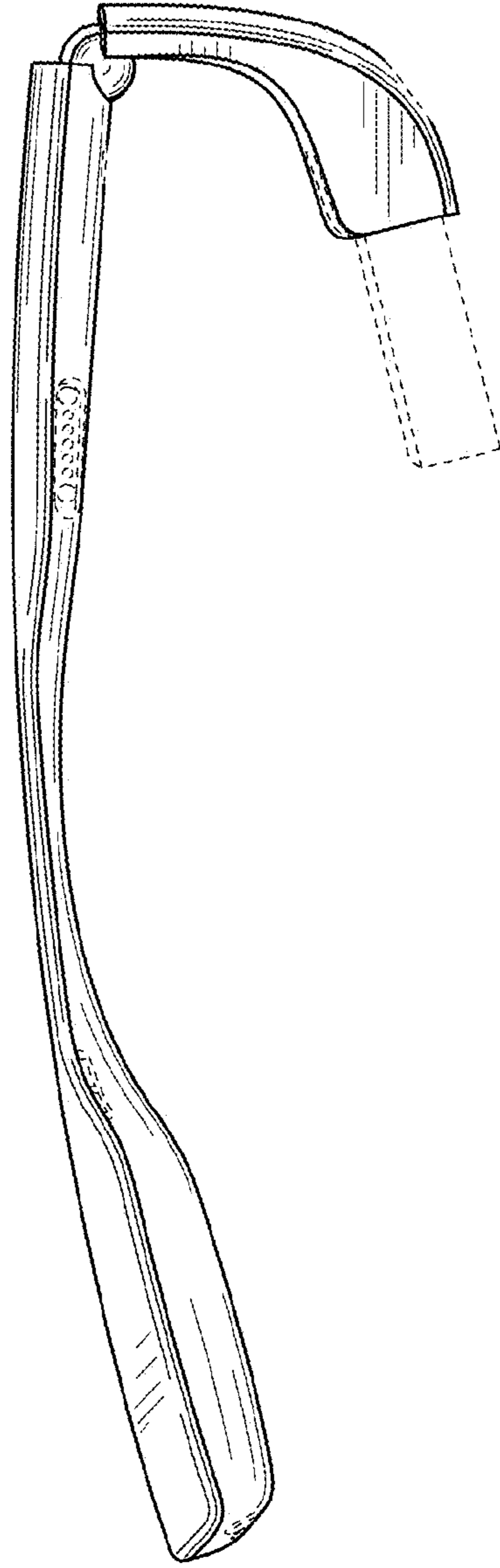


FIG. 14

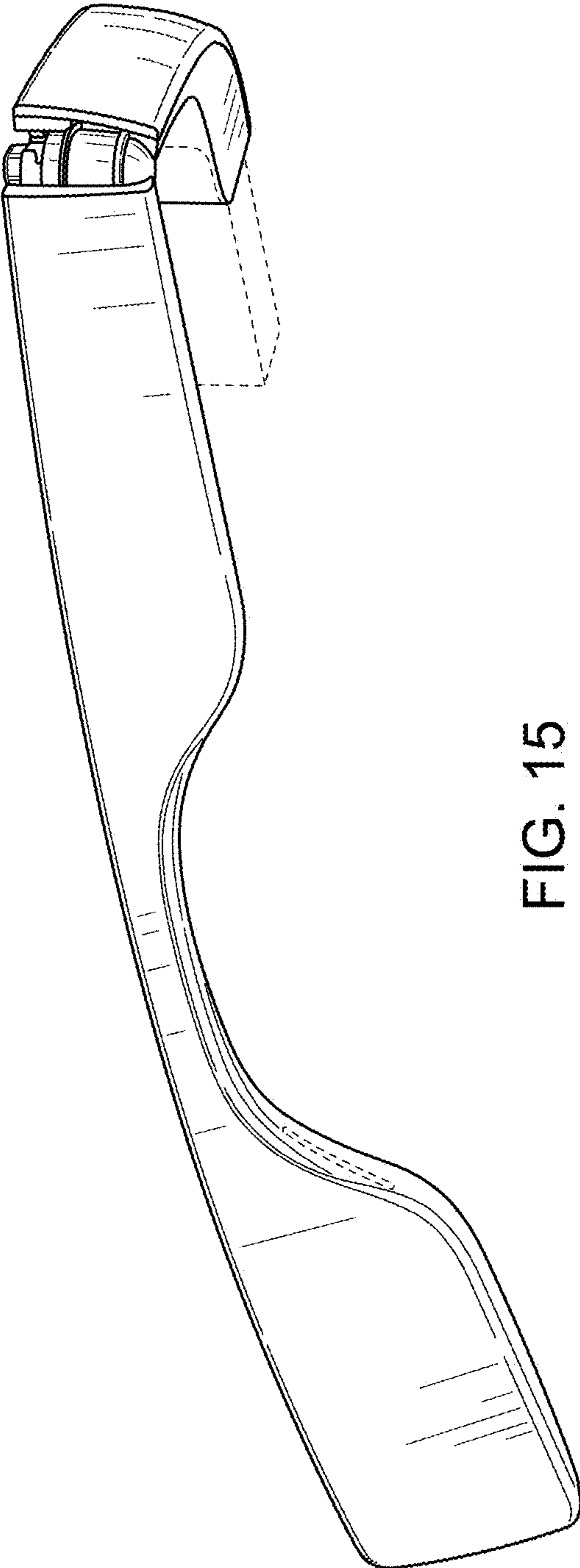


FIG. 15