



US00D769872S

(12) **United States Design Patent**
Swyst et al.

(10) **Patent No.:** **US D769,872 S**
(45) **Date of Patent:** **** Oct. 25, 2016**

(54) **DISPLAY MONITOR**

(71) Applicant: **Draeger Medical Systems, Inc.**,
Andover, MA (US)
(72) Inventors: **Thomas Swyst**, Arlington, MA (US);
Christopher Aiston, Mt. Vernon, NH
(US); **Stanley Thompson**, New Boston,
NH (US)

(73) Assignee: **Draeger Medical Systems, Inc.**,
Andover, MA (US)

(**) Term: **15 Years**

(21) Appl. No.: **29/536,932**

(22) Filed: **Aug. 20, 2015**

(51) **LOC (10) Cl.** **14-02**

(52) **U.S. Cl.**
USPC **D14/371**

(58) **Field of Classification Search**
USPC D14/371-375, 125-129, 336, 337, 382;
341/12; 345/104, 156, 168, 173;
348/180, 184, 325, 739; 349/1, 2, 11,
349/62; 361/679.05-679.07, 679.21;
D6/300, 308; D20/10; D24/185, 186
CPC G06F 1/16; G06F 1/1601; G06F 3/037;
G06F 1/162; G06F 1/1613; F16M 11/02;
F16M 11/10; F16M 11/00; G02F 1/133308;
A61B 5/021; A61B 5/0205
See application file for complete search history.

(56) **References Cited**

U.S. PATENT DOCUMENTS

D396,217 S * 7/1998 Suzuki D14/336
D432,534 S * 10/2000 Hirose D14/337

(Continued)

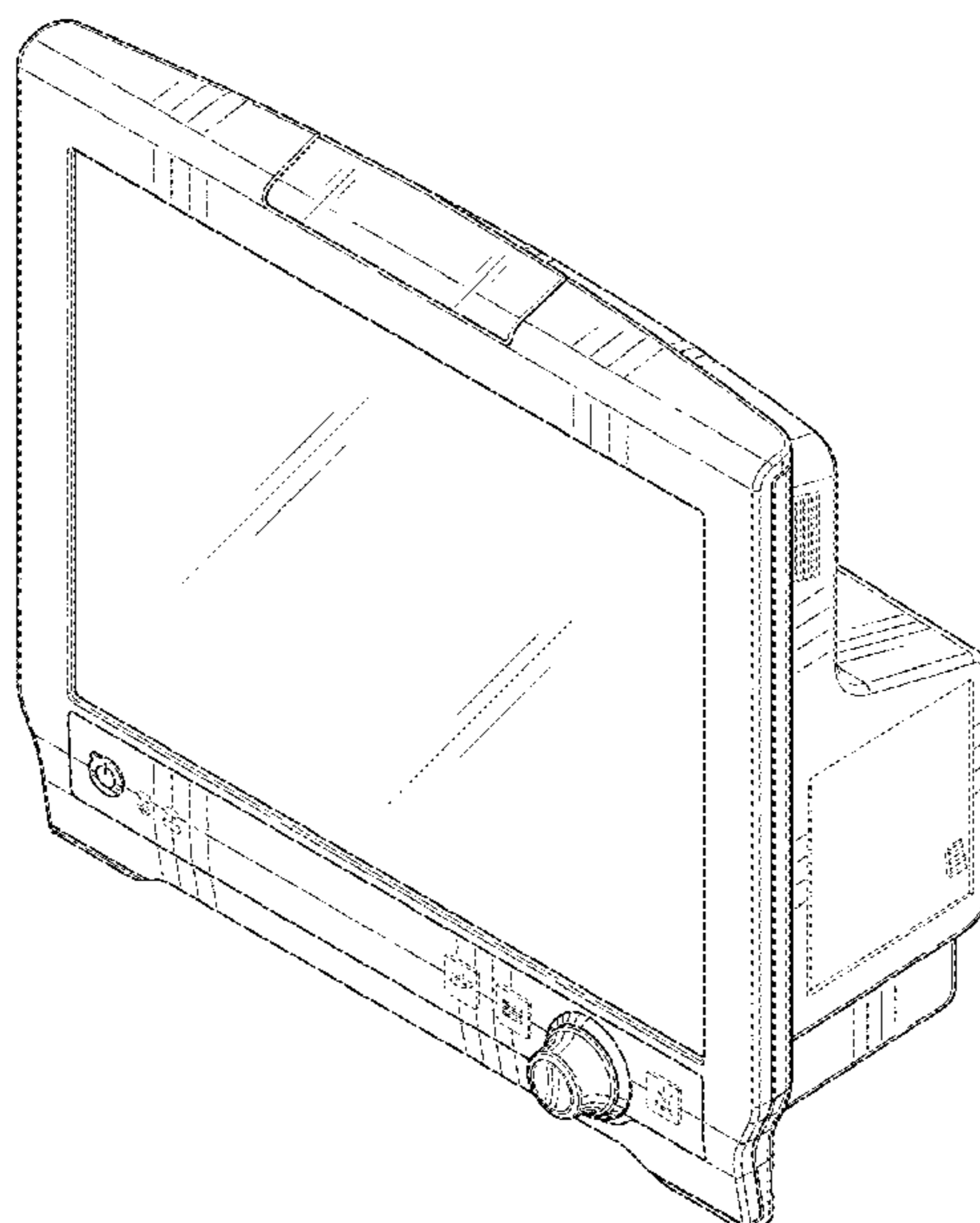
Primary Examiner — Freda S Nunn
(74) *Attorney, Agent, or Firm* — Jones Day

(57) **CLAIM**
The ornamental design for display monitor, as shown and described.

DESCRIPTION

FIG. 1 is a front perspective view of a first display monitor;
FIG. 2 is a first back perspective view of the first display monitor;
FIG. 3 is a second back perspective view of the first display monitor;
FIG. 4 is a front view of the first display monitor;
FIG. 5 is a back view of the first display monitor;
FIG. 6 is a first side view of the first display monitor;
FIG. 7 is a second side view of the first display monitor;
FIG. 8 is a top view of the first display monitor;
FIG. 9 is a bottom view of the first display monitor;
FIG. 10 is a front perspective view of a second display monitor;
FIG. 11 is a first back perspective view of the second display monitor;
FIG. 12 is a second back perspective view of the second display monitor;
FIG. 13 is a front view of the second display monitor;
FIG. 14 is a back view of the second display monitor;
FIG. 15 is a first side view of the second display monitor;
FIG. 16 is a second side view of the second display monitor;
FIG. 17 is a top view of the second display monitor; and,
FIG. 18 is a bottom view of the second display monitor.
The broken lines showing in the figures are for the purposes of illustrating portions of the monitors and/or monitor mounting elements and form no part of the claimed design. Other aspects of the figures are provided to illustrate texture and other features.

1 Claim, 18 Drawing Sheets



US D769,872 S

Page 2

(56)

References Cited

U.S. PATENT DOCUMENTS

D522,503 S *	6/2006	Noda	D14/337
D552,741 S *	10/2007	Zhou	D24/186
D734,859 S *	7/2015	Weichert	D24/186
D448,372 S *	9/2001	Kim	D14/172

* cited by examiner

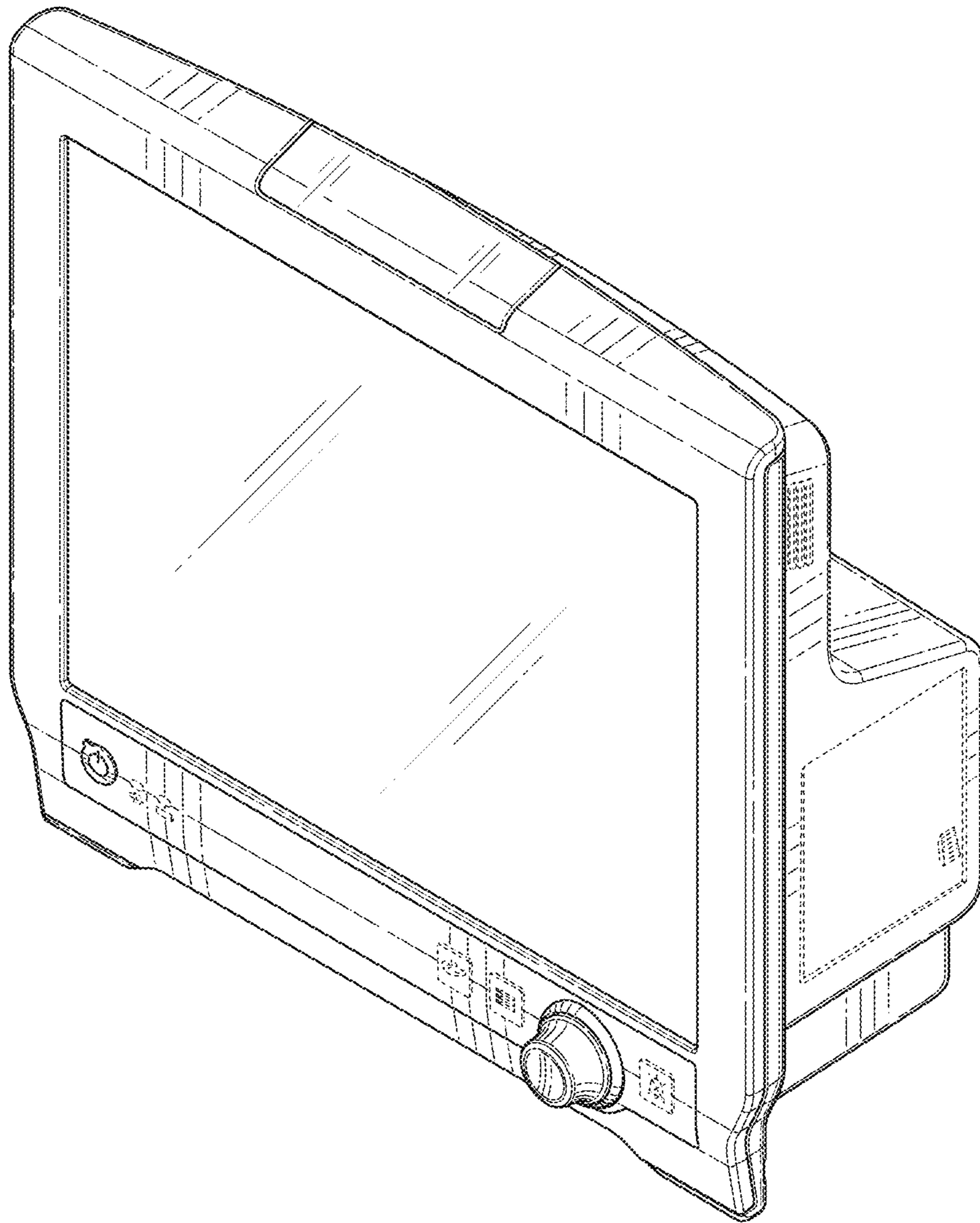


FIG. 1

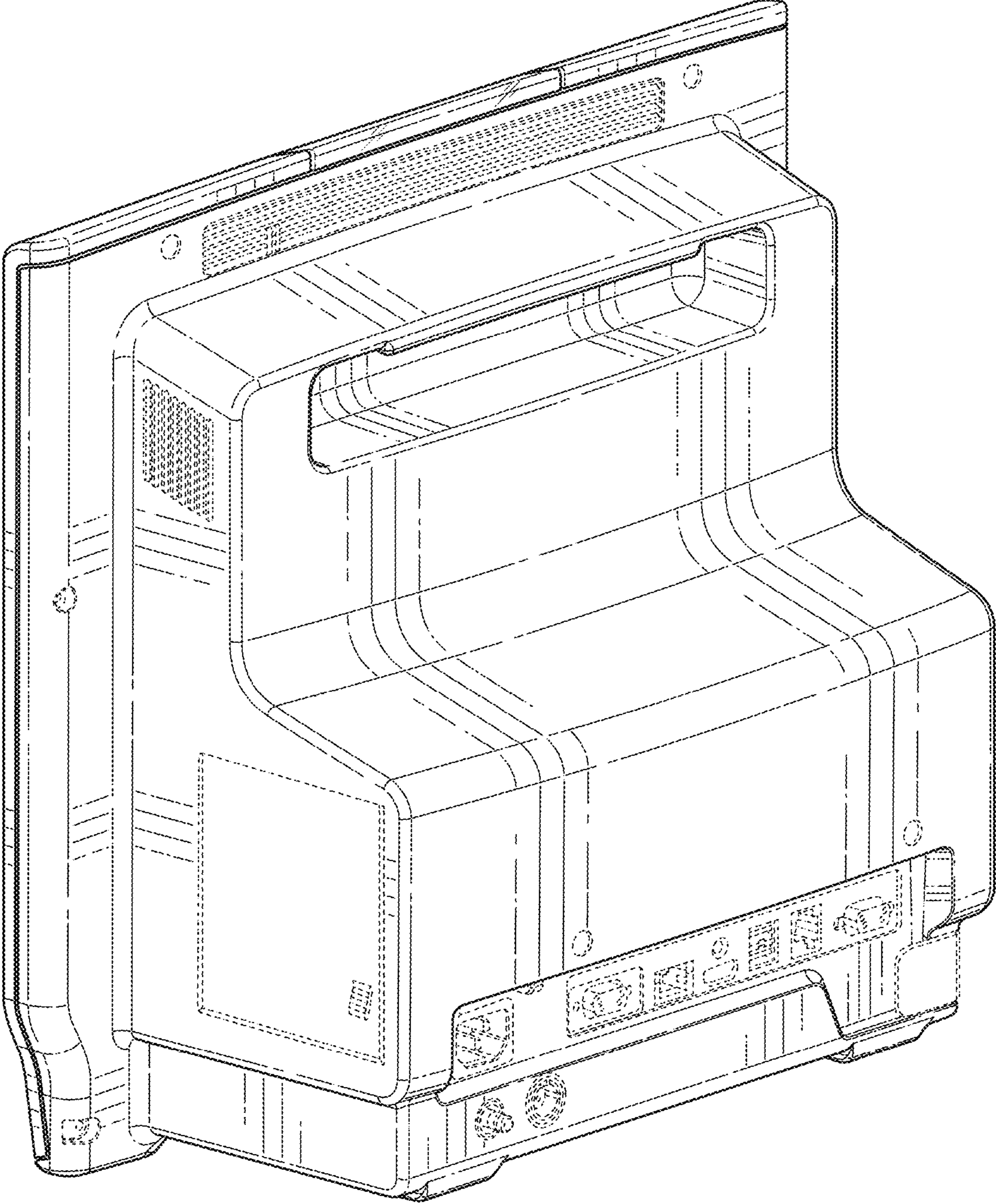


FIG. 2

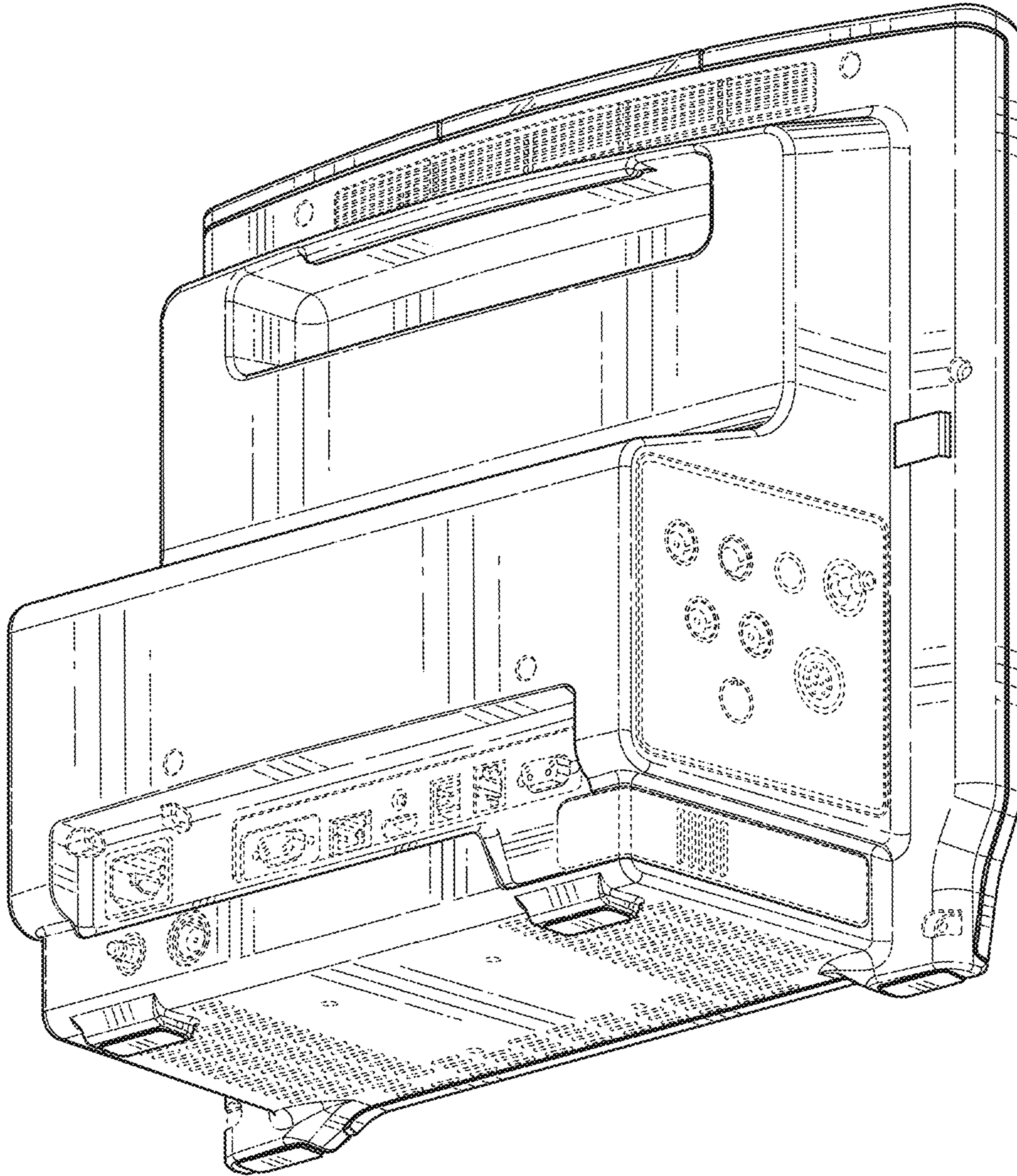


FIG. 3

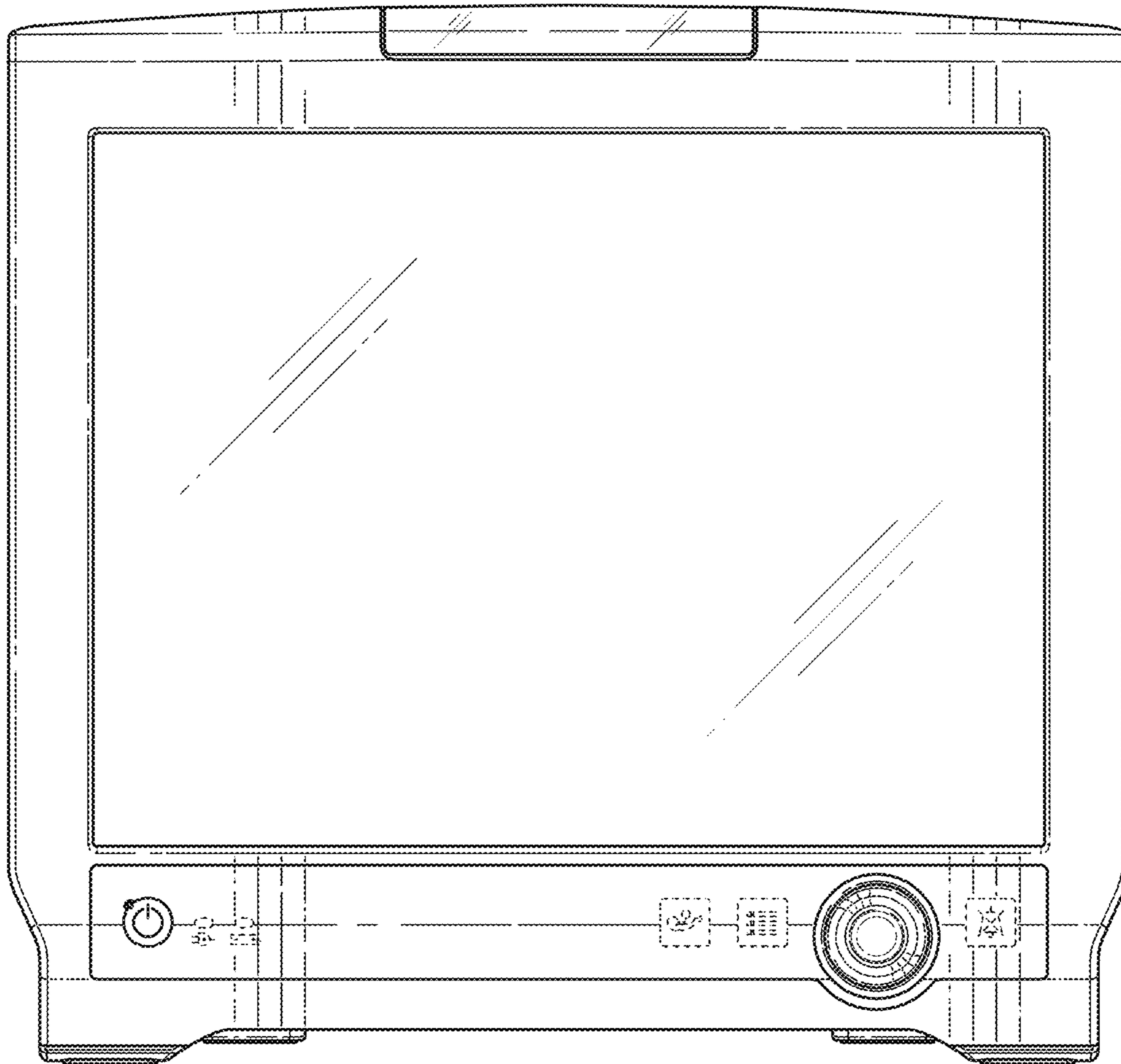


FIG. 4

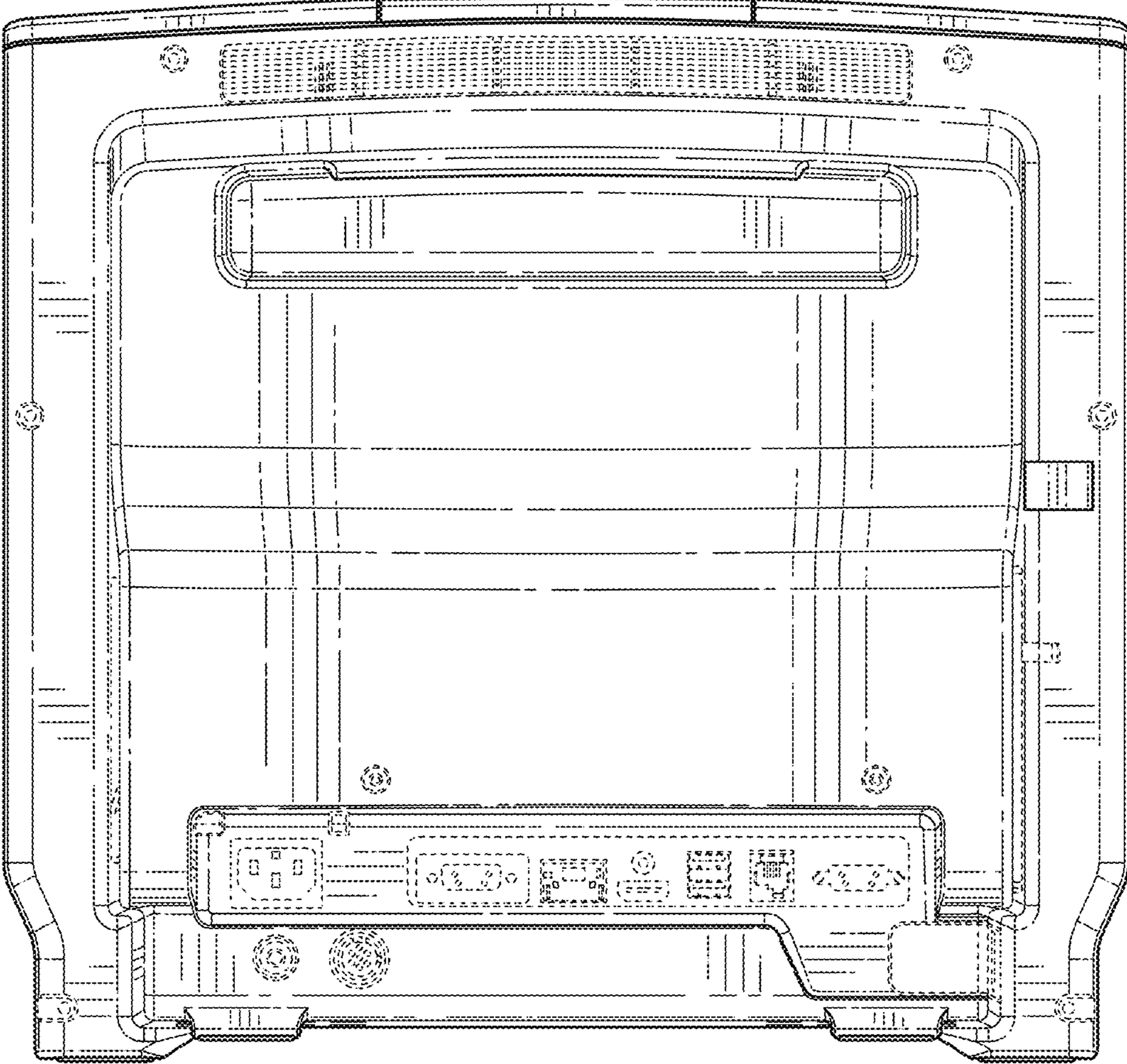


FIG. 5

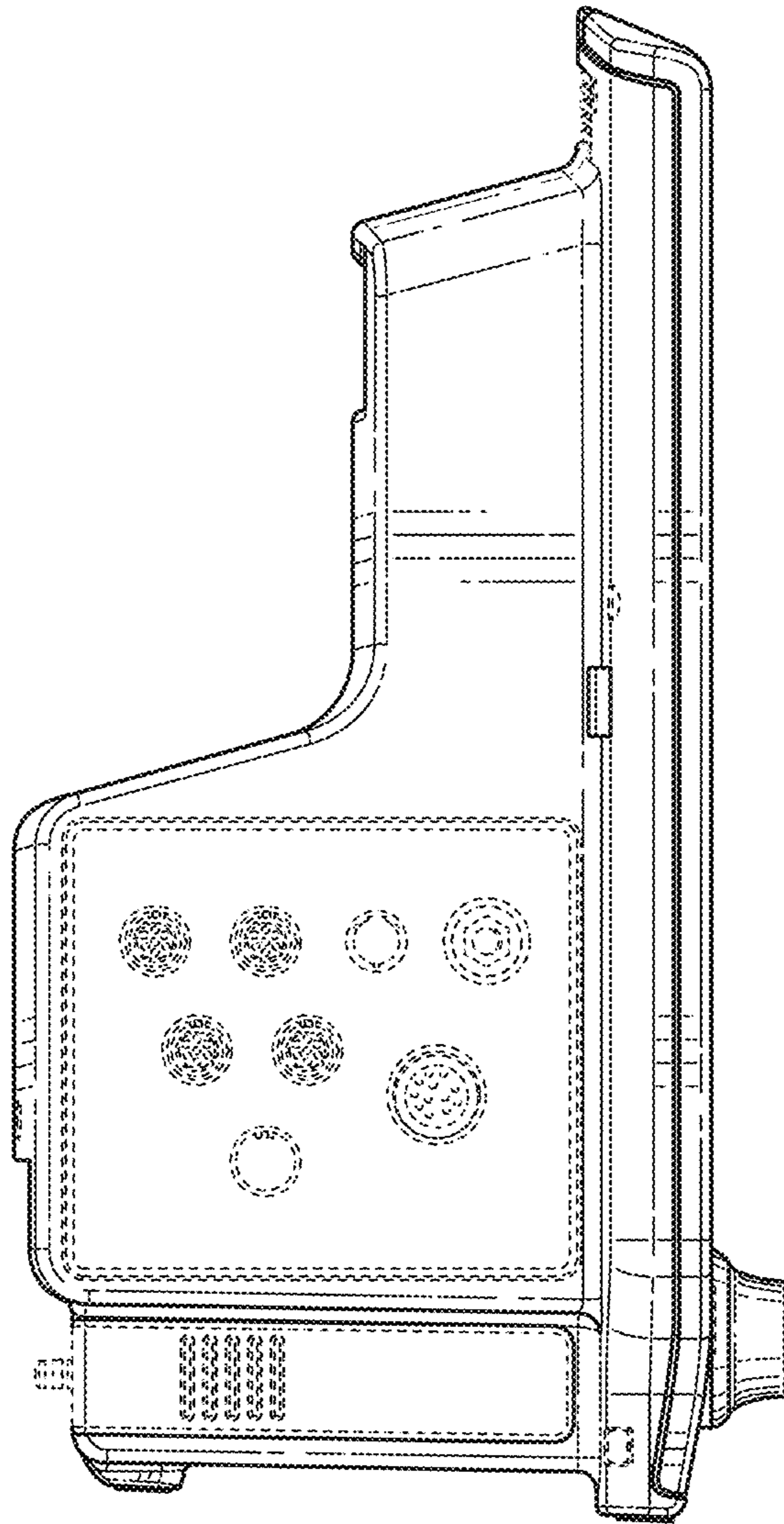


FIG. 6

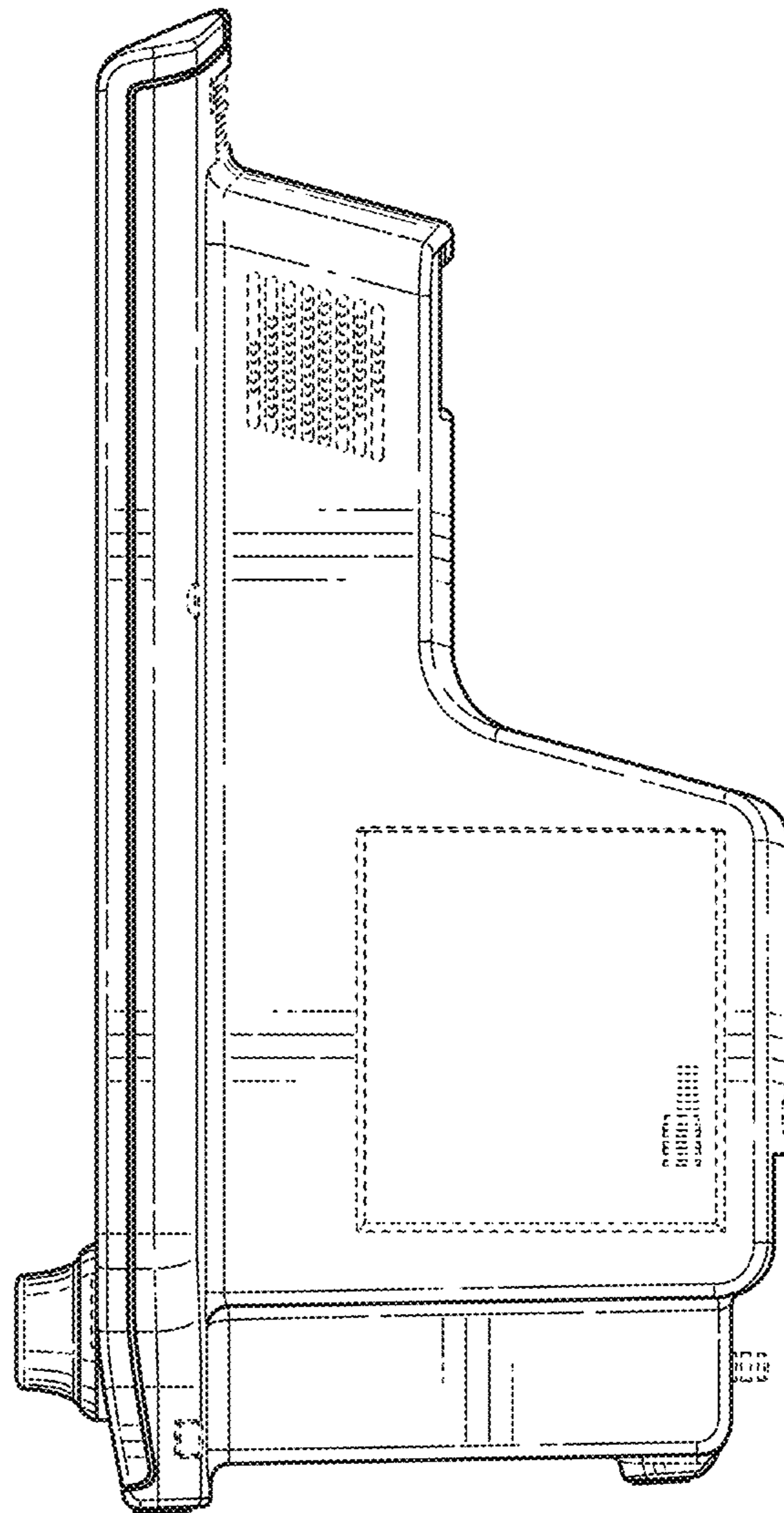


FIG. 7

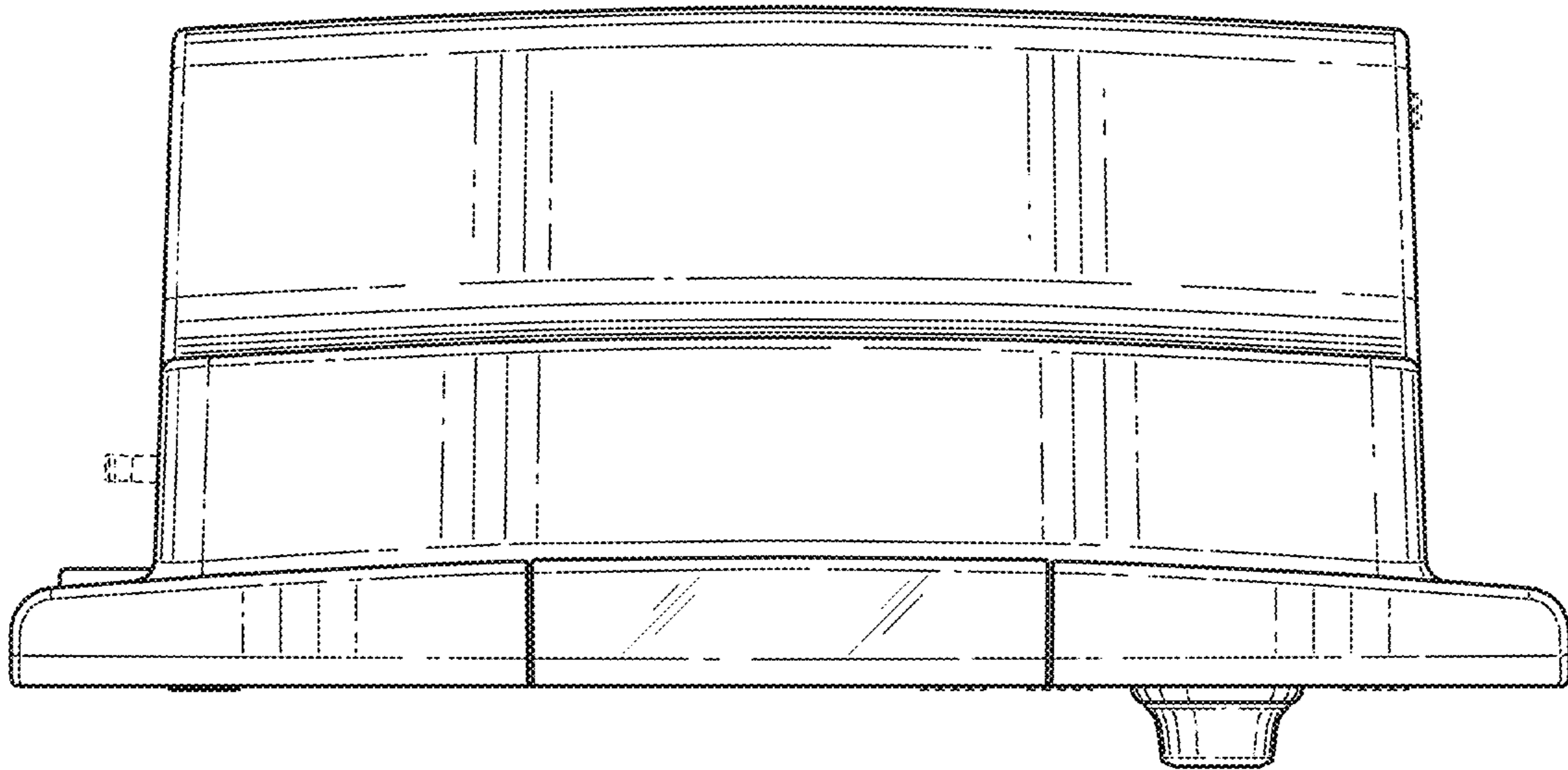


FIG. 8

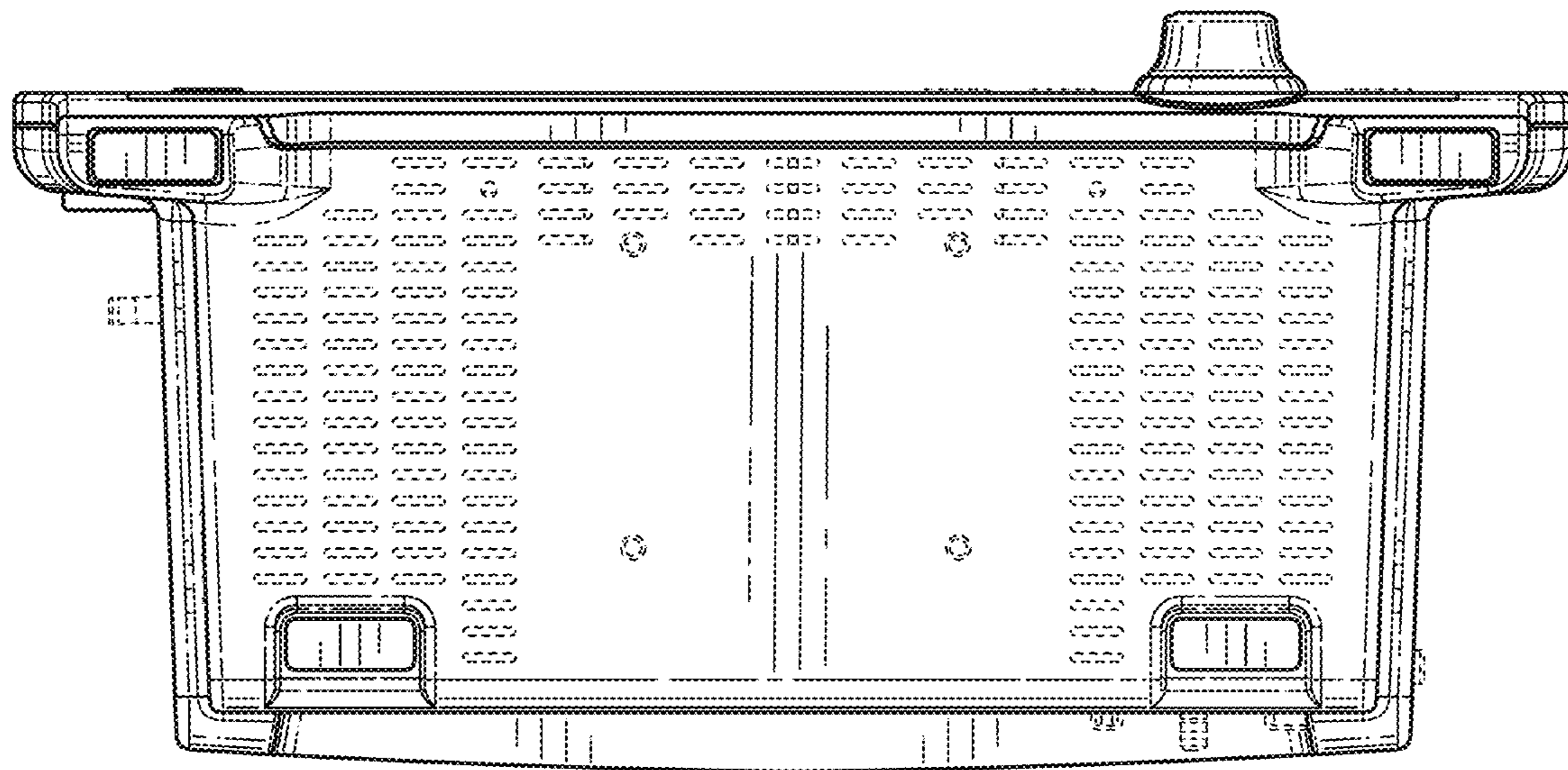


FIG. 9

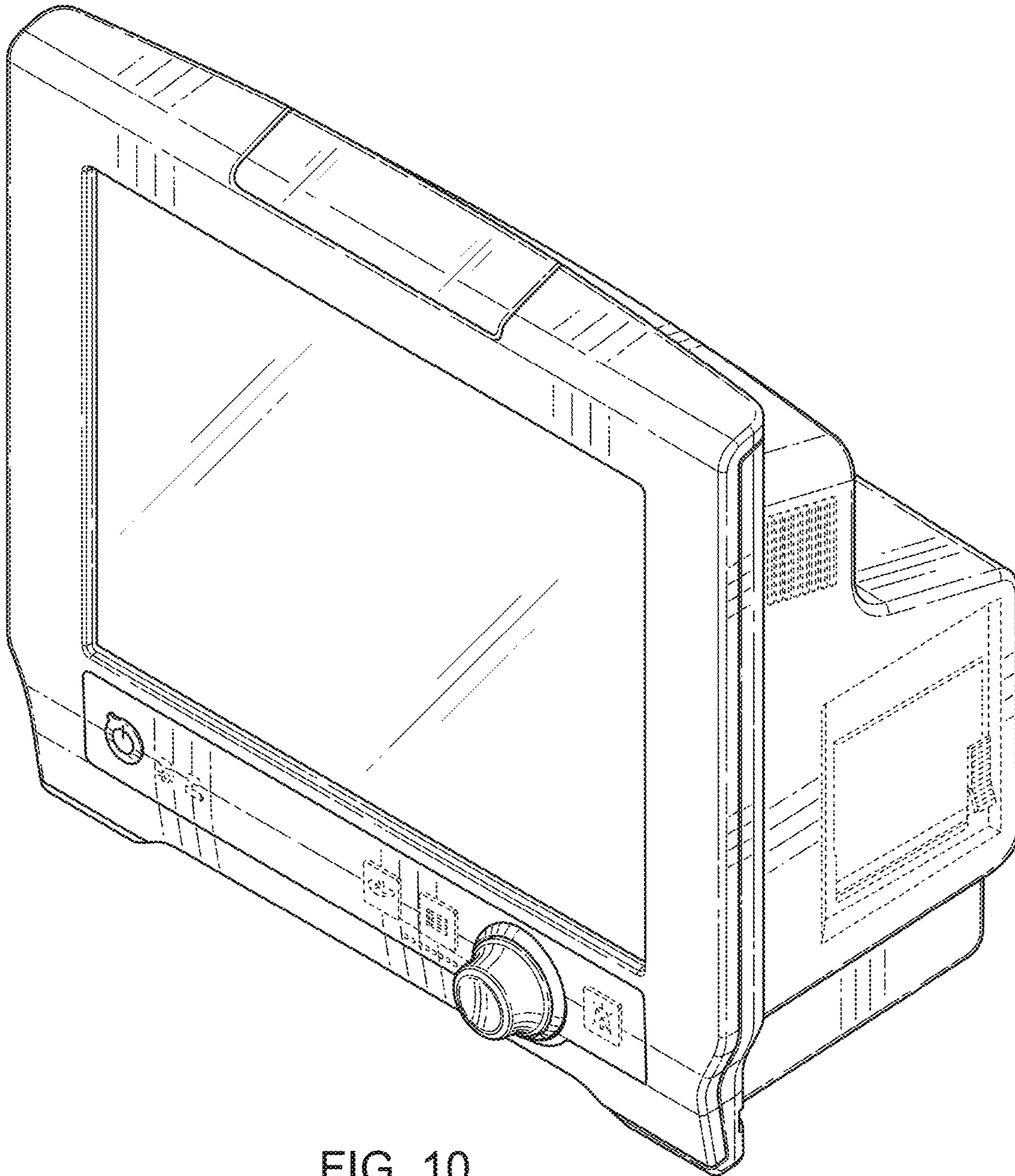


FIG. 10

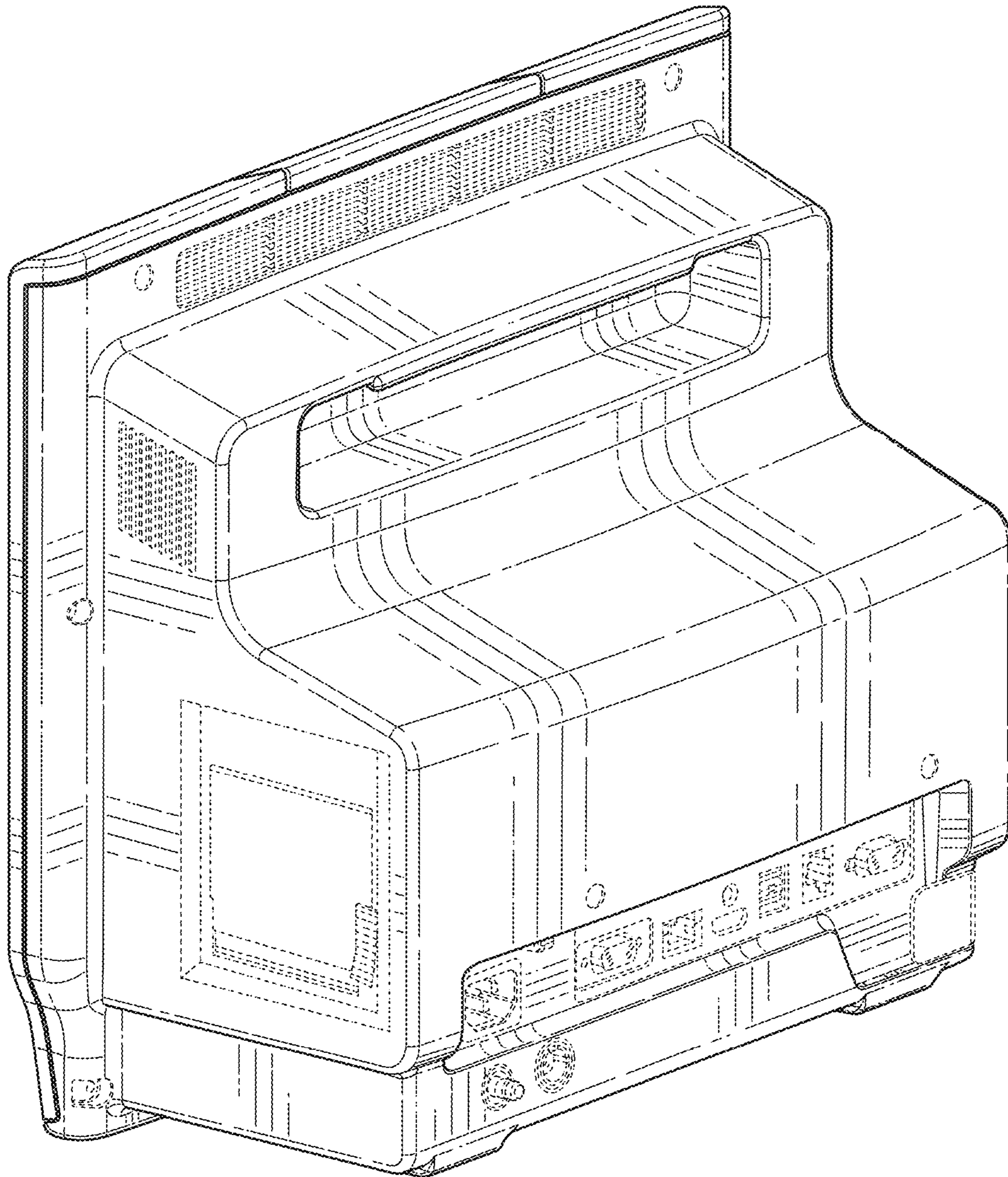


FIG. 11

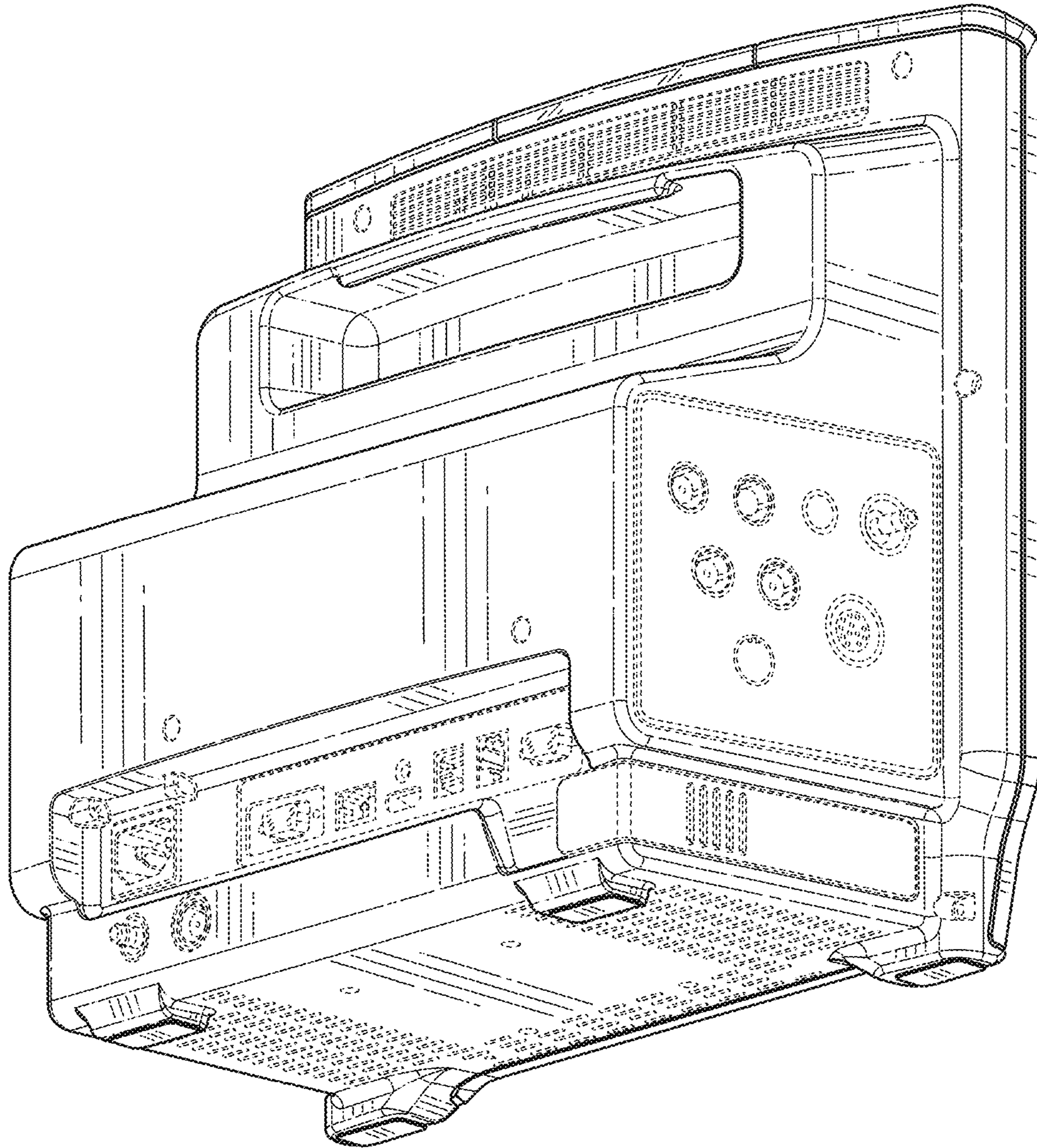


FIG. 12

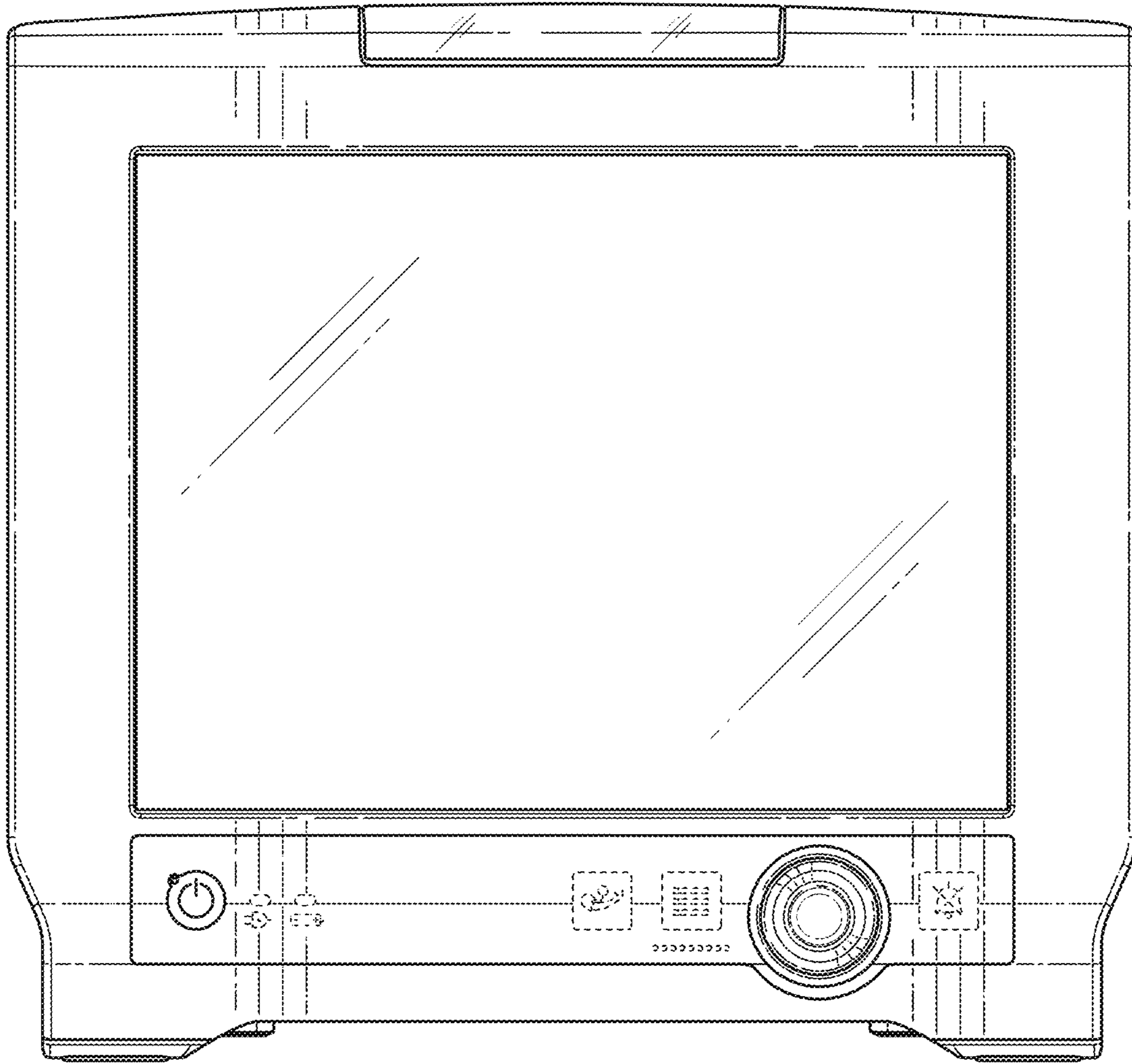


FIG. 13

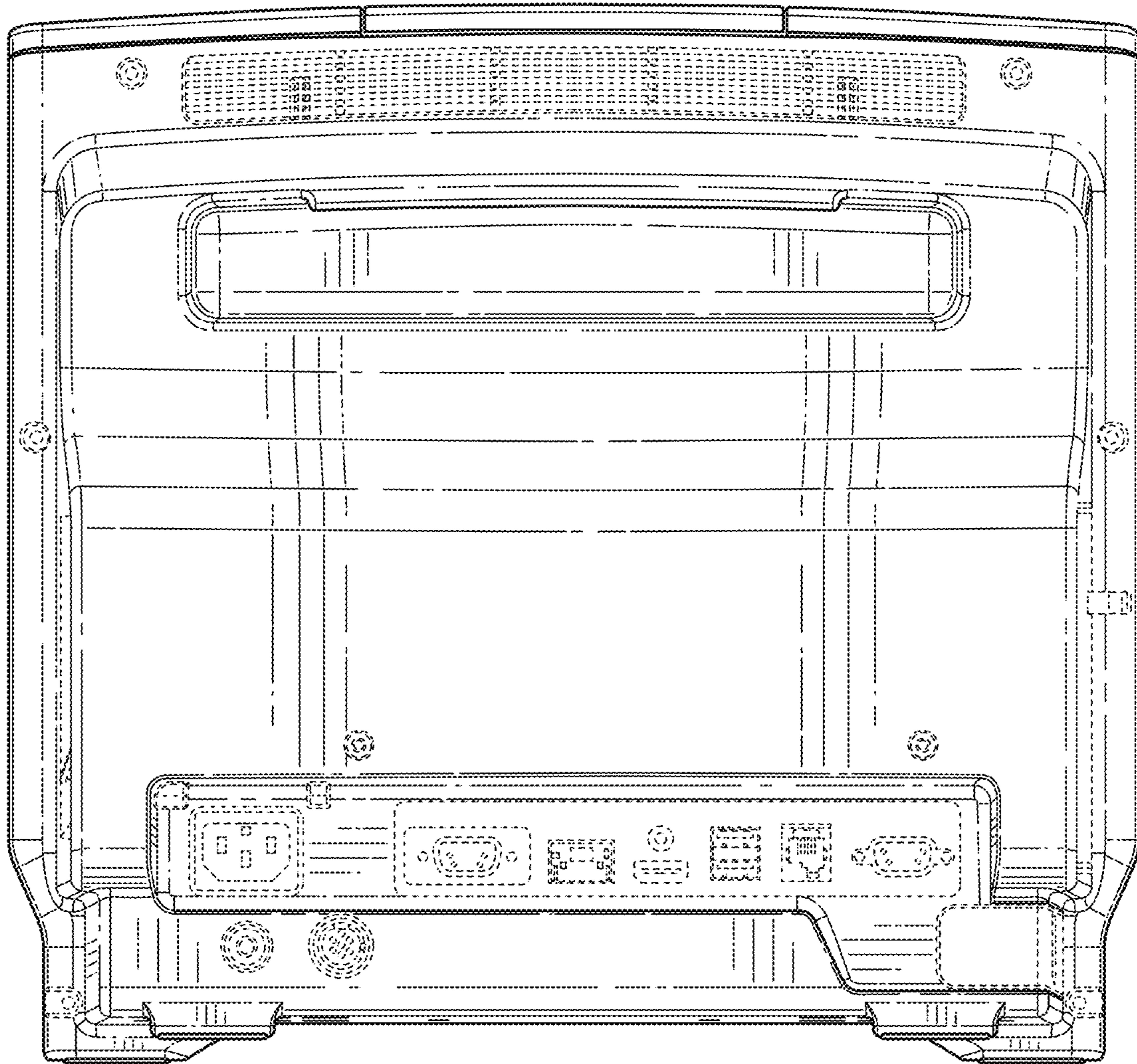


FIG. 14

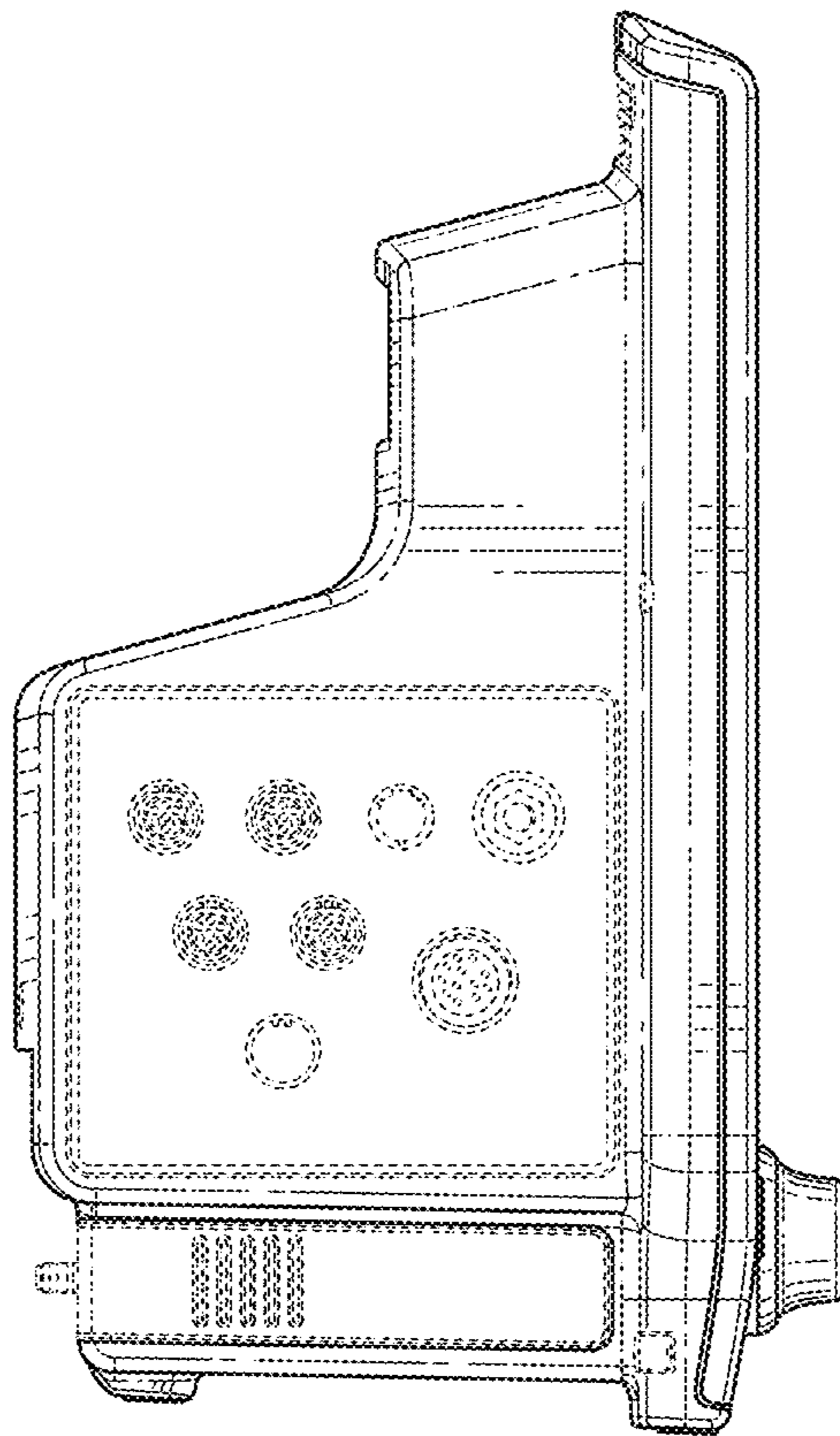


FIG. 15

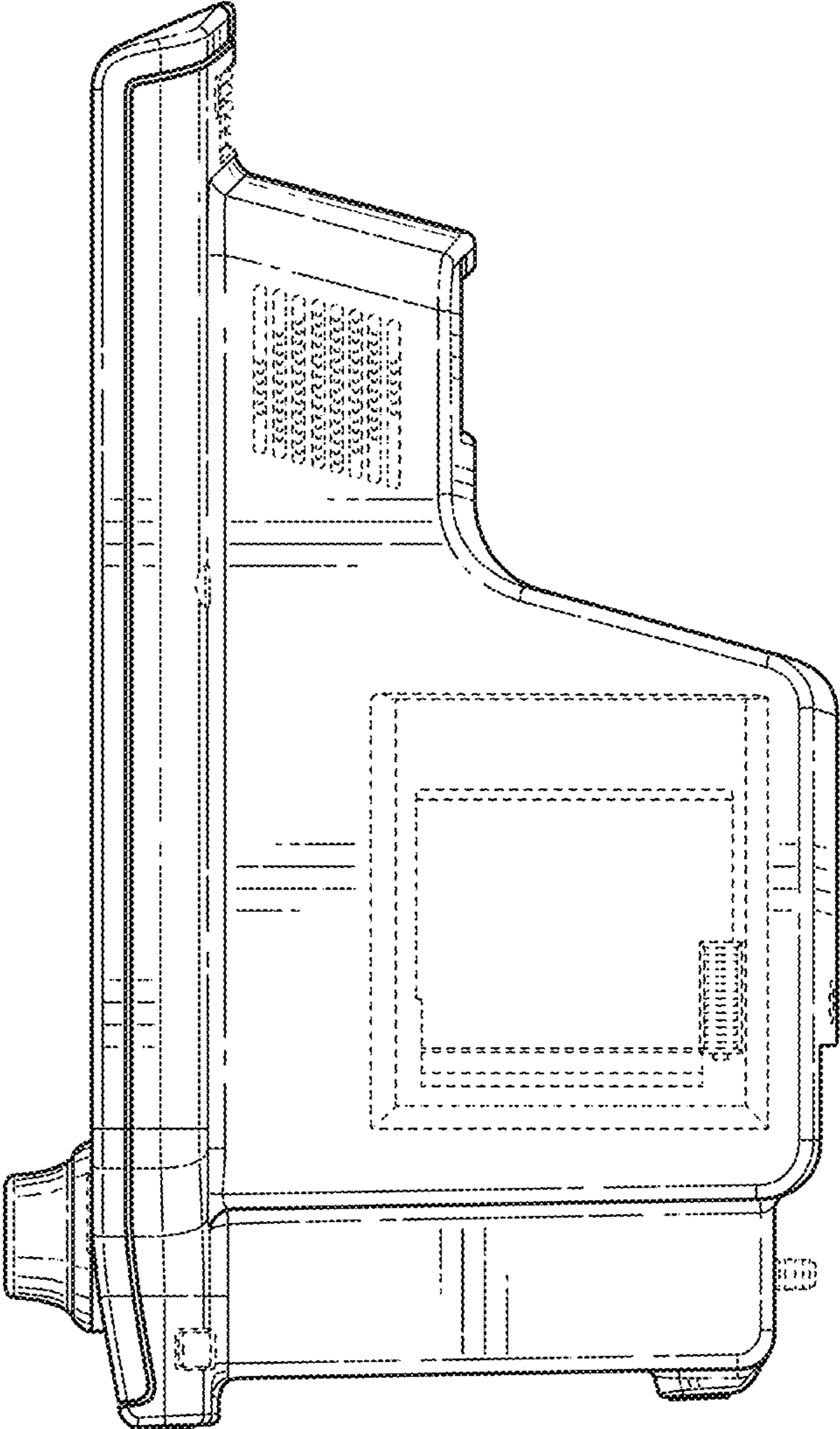


FIG. 16

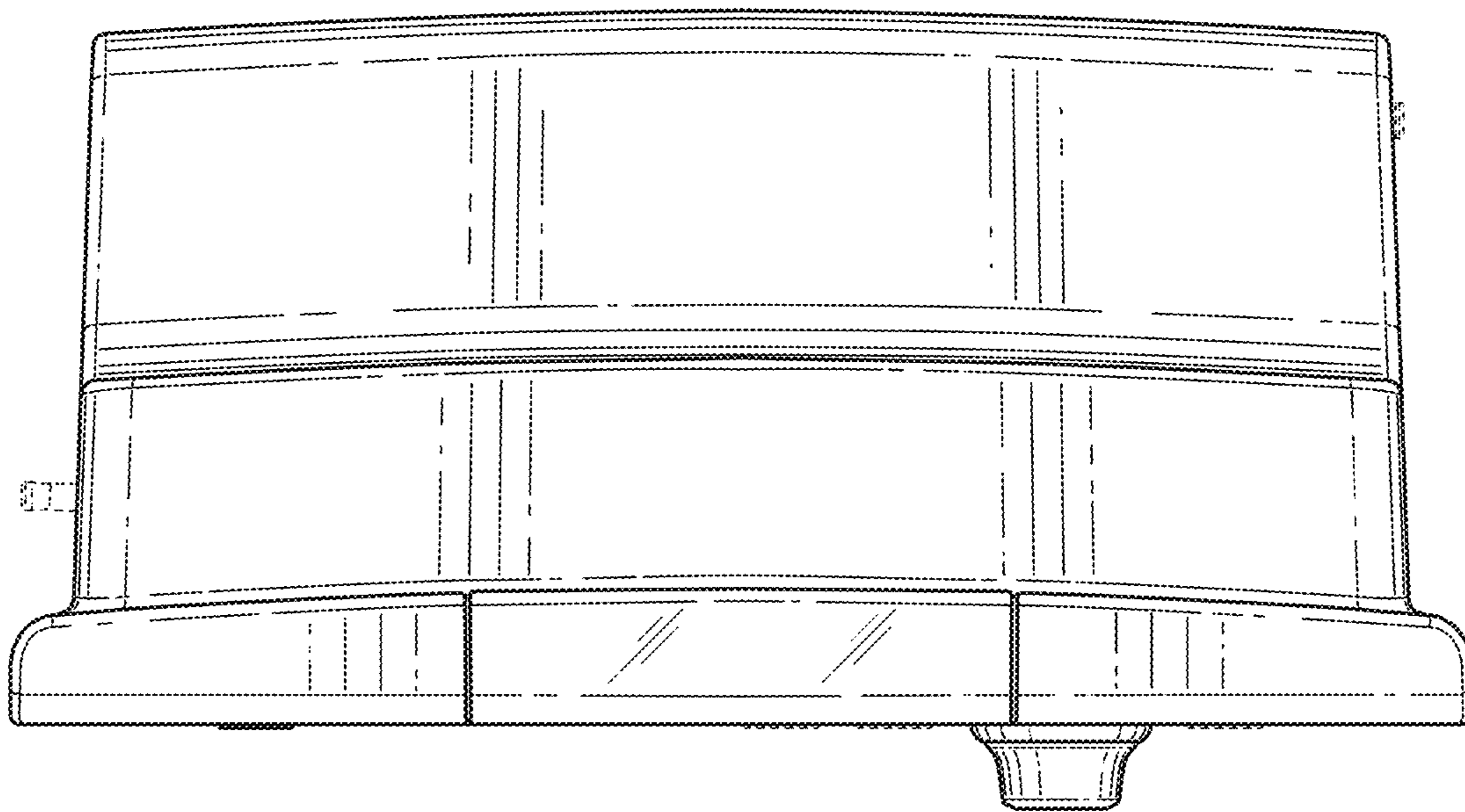


FIG. 17

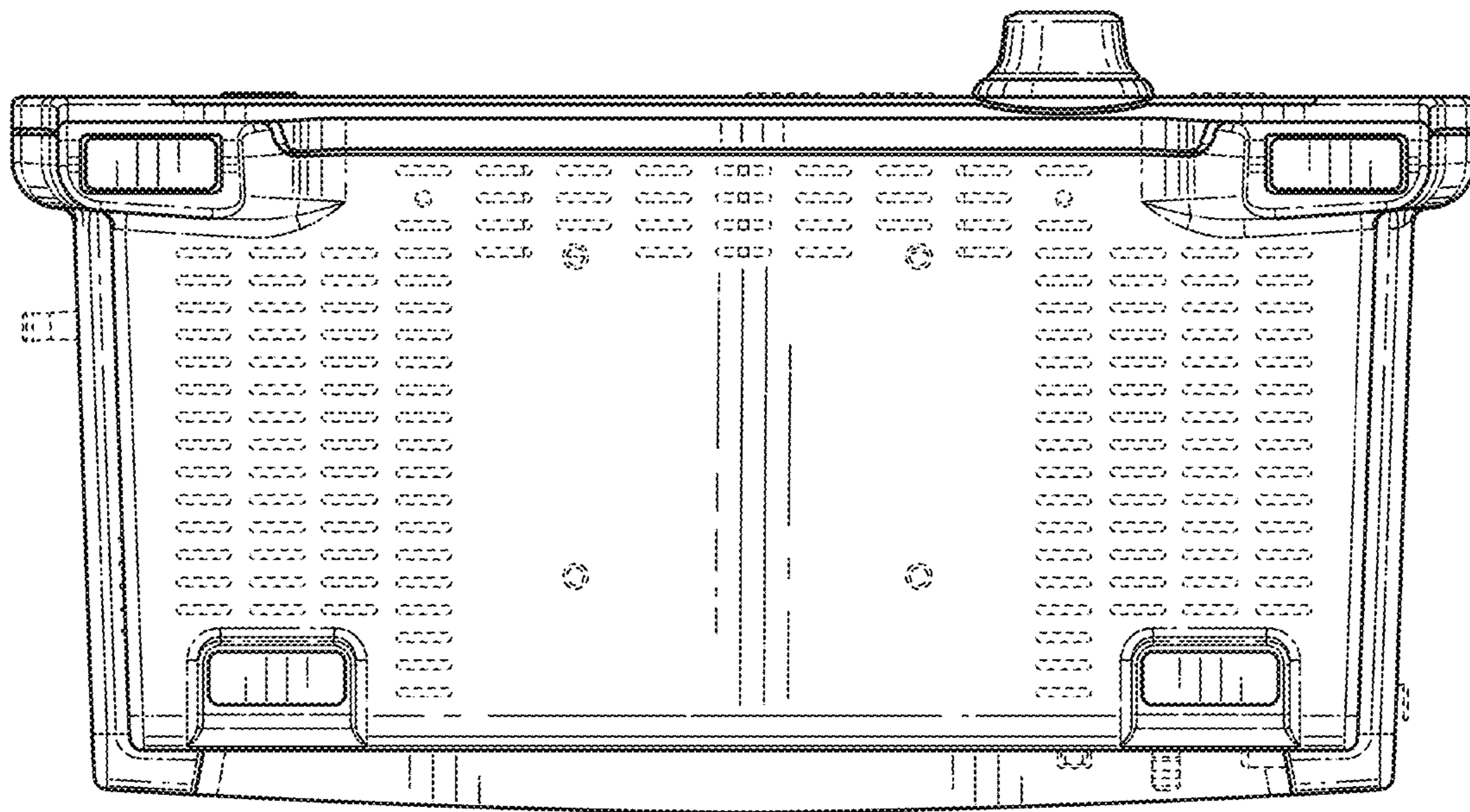


FIG. 18