



US00D769871S

(12) **United States Design Patent**
Meyerhofer

(10) **Patent No.:** **US D769,871 S**
(45) **Date of Patent:** **** Oct. 25, 2016**

- (54) **TOPPER FOR CONSOLE**
- (71) Applicant: **Gamblit Gaming, LLC**, Glendale, CA (US)
- (72) Inventor: **Eric Meyerhofer**, Pasadena, CA (US)
- (73) Assignee: **Gamblit Gaming, LLC**, Glendale, CA (US)
- (**) Term: **15 Years**
- (21) Appl. No.: **29/532,144**
- (22) Filed: **Jul. 1, 2015**
- (51) **LOC (10) Cl.** **14-02**
- (52) **U.S. Cl.**
USPC **D14/371**
- (58) **Field of Classification Search**
USPC D14/302, 305-307, 371, 125-129, 336, D14/337, 388; 341/12; 345/104, 156, 168, 345/173; 348/180, 184, 325, 739; 349/1, 2, 349/11, 62; 361/679.05-679.07, 679.21; D20/10; D13/184, 199; D24/185, 186; D21/324, 329, 332
CPC G06F 1/16; G06F 1/1601; G06F 3/037; G06F 1/162; F16M 11/02; F16M 11/10; F16M 11/00; A47B 21/00; A47B 21/06; A47B 13/08; A47B 35/00; A47B 21/0314; A47B 17/003; A47B 83/001; G06Q 20/10; G06Q 20/18; G06Q 20/20; G06Q 20/123; A47F 9/047; A47G 5/00; E04B 2/7433; E04H 3/24
See application file for complete search history.

(56) **References Cited**

U.S. PATENT DOCUMENTS

- D451,553 S * 12/2001 Metral D20/10
- 6,343,006 B1 * 1/2002 Moscovitch B60R 11/02
- 348/794

(Continued)

Primary Examiner — Freda S Nunn
(74) *Attorney, Agent, or Firm* — Frank Cire

(57) **CLAIM**

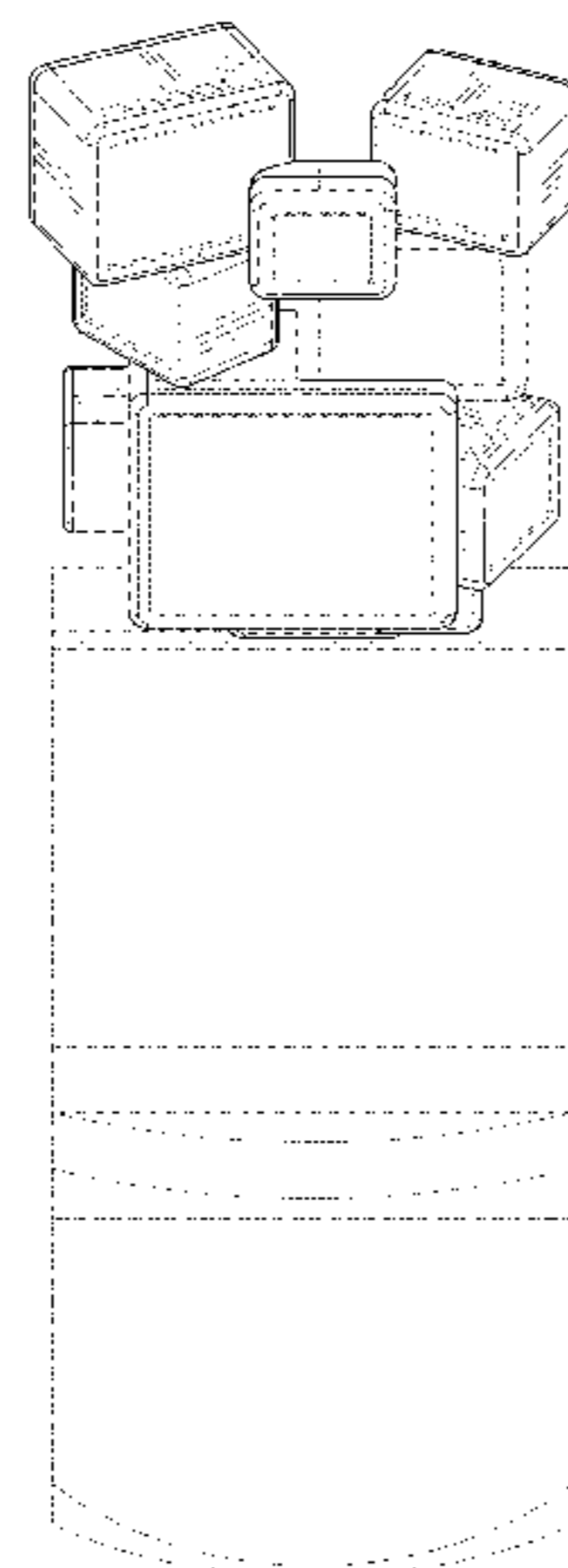
The ornamental design for a topper for console, as shown and described.

DESCRIPTION

FIG. 1 is a front perspective view of an embodiment of a topper for console showing our new design;

FIG. 2 is a rear perspective view of an embodiment of a topper for console showing our new design;
 FIG. 3 is rear and side perspective view of an embodiment of a topper for console showing our new design;
 FIG. 4 is a front and side perspective view of an embodiment of a topper for console showing our new design;
 FIG. 5 is another rear and side perspective view of an embodiment of a topper for console showing our new design;
 FIG. 6 is a front and side perspective view of an embodiment of a topper for console showing our new design;
 FIG. 7 is an upward facing rear perspective view of an embodiment of a topper for console showing our new design;
 FIG. 8 is an upward facing front perspective view of an embodiment of a topper for console showing our new design;
 FIG. 9 is an upward facing rear and side perspective view of an embodiment of a topper for console showing our new design;
 FIG. 10 is an upward facing front and side perspective view of an embodiment of a topper for console showing our new design;
 FIG. 11 is an upward facing rear and side perspective view of an embodiment of a topper for console showing our new design;
 FIG. 12 is an upward facing front and side perspective view of an embodiment of a topper for console showing our new design;
 FIG. 13 is a rear view of an embodiment of a topper for console, showing our new design;
 FIG. 14 is a front view of an embodiment of a topper for console, showing our new design;
 FIG. 15 is a side view of an embodiment of a topper for console, showing our new design;
 FIG. 16 is a side view of an embodiment of a topper for console, showing our new design; and,
 FIG. 17 is a top view of an embodiment of a topper for console, showing our new design.
 Broken lines shown in the drawings illustrate portions of the topper and console and form no part of the claimed design.

1 Claim, 17 Drawing Sheets



US D769,871 S

Page 2

(56)

References Cited

U.S. PATENT DOCUMENTS

D591,799 S *	5/2009	Yang	D14/307	
8,405,704 B2 *	3/2013	Kobayashi	H04N 7/142	
			348/14.07	
D563,917 S *	3/2008	Kobayashi	D14/127	
D566,702 S *	4/2008	Malone	D14/307	* cited by examiner

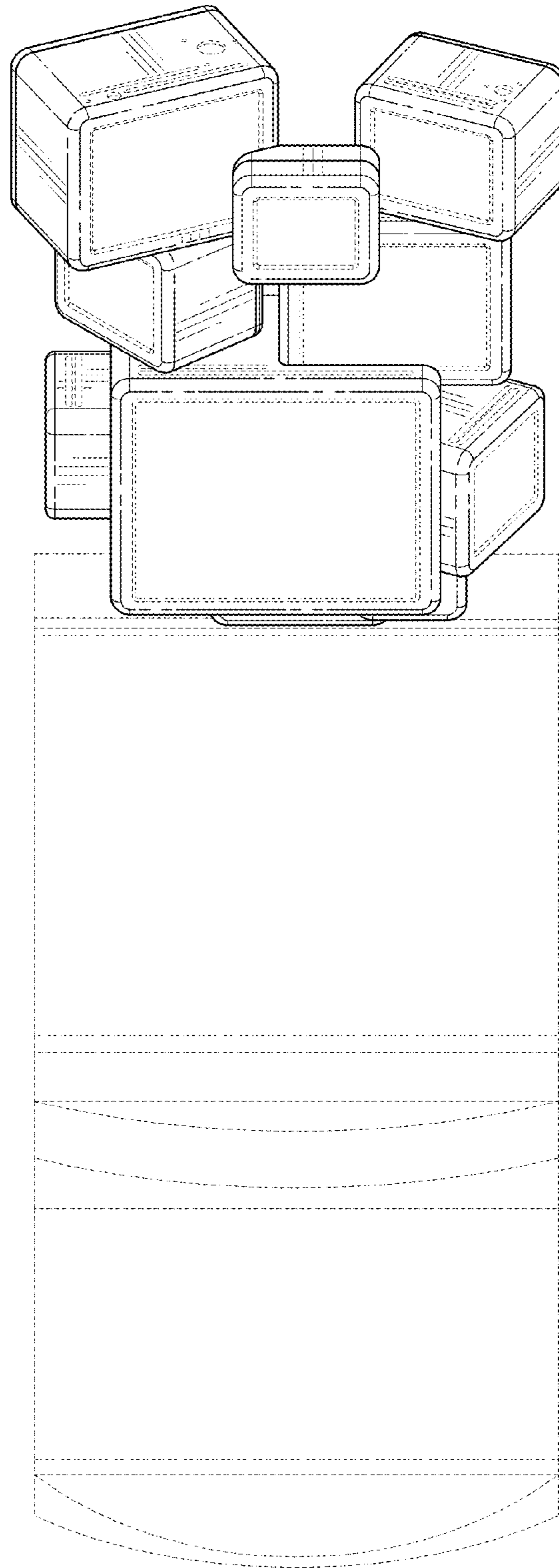


FIG. 1

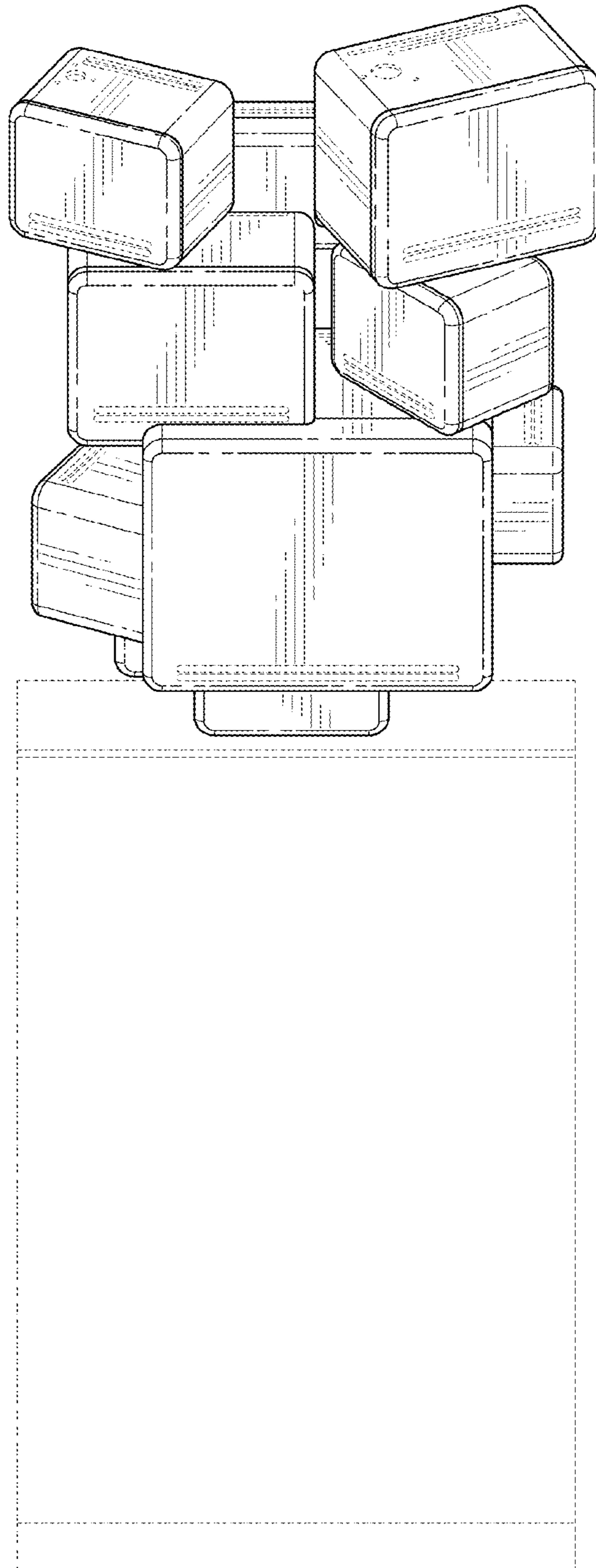


FIG. 2

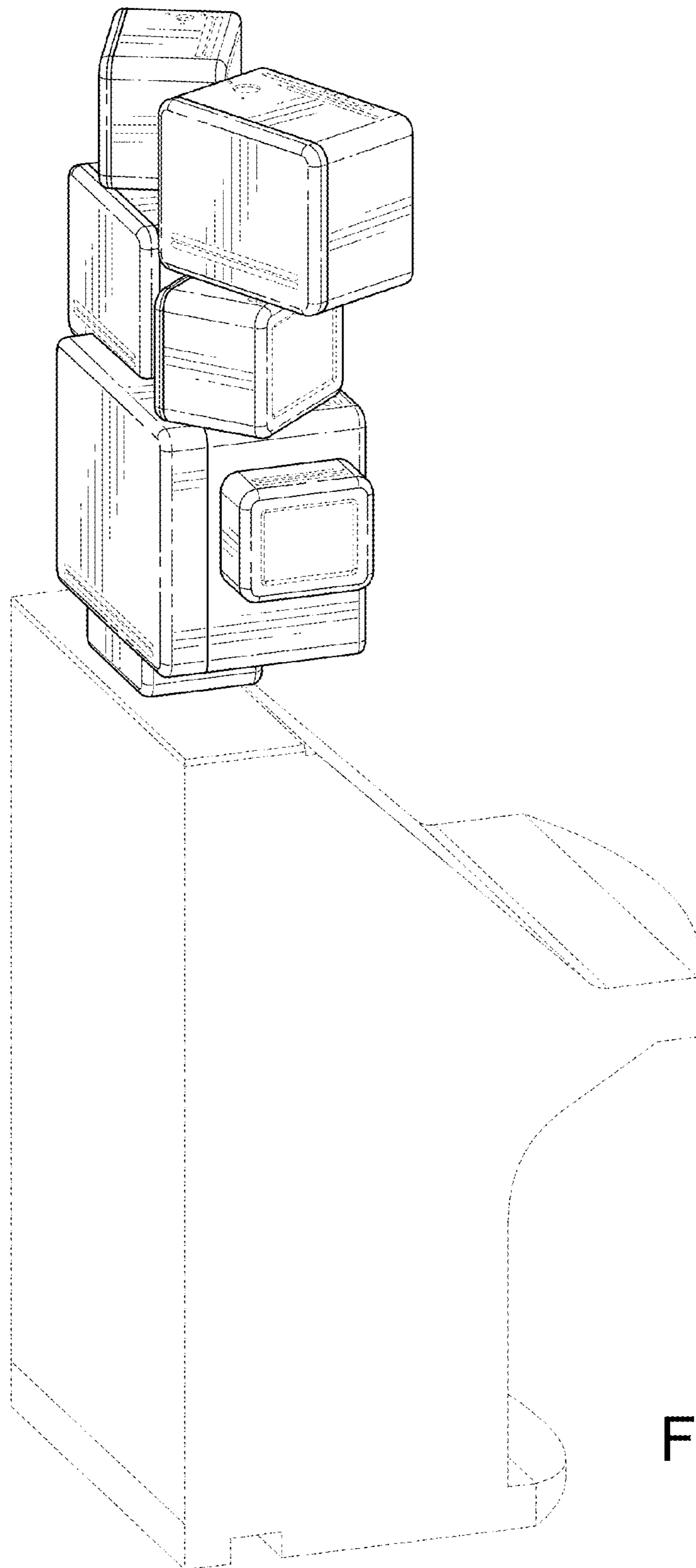


FIG. 3

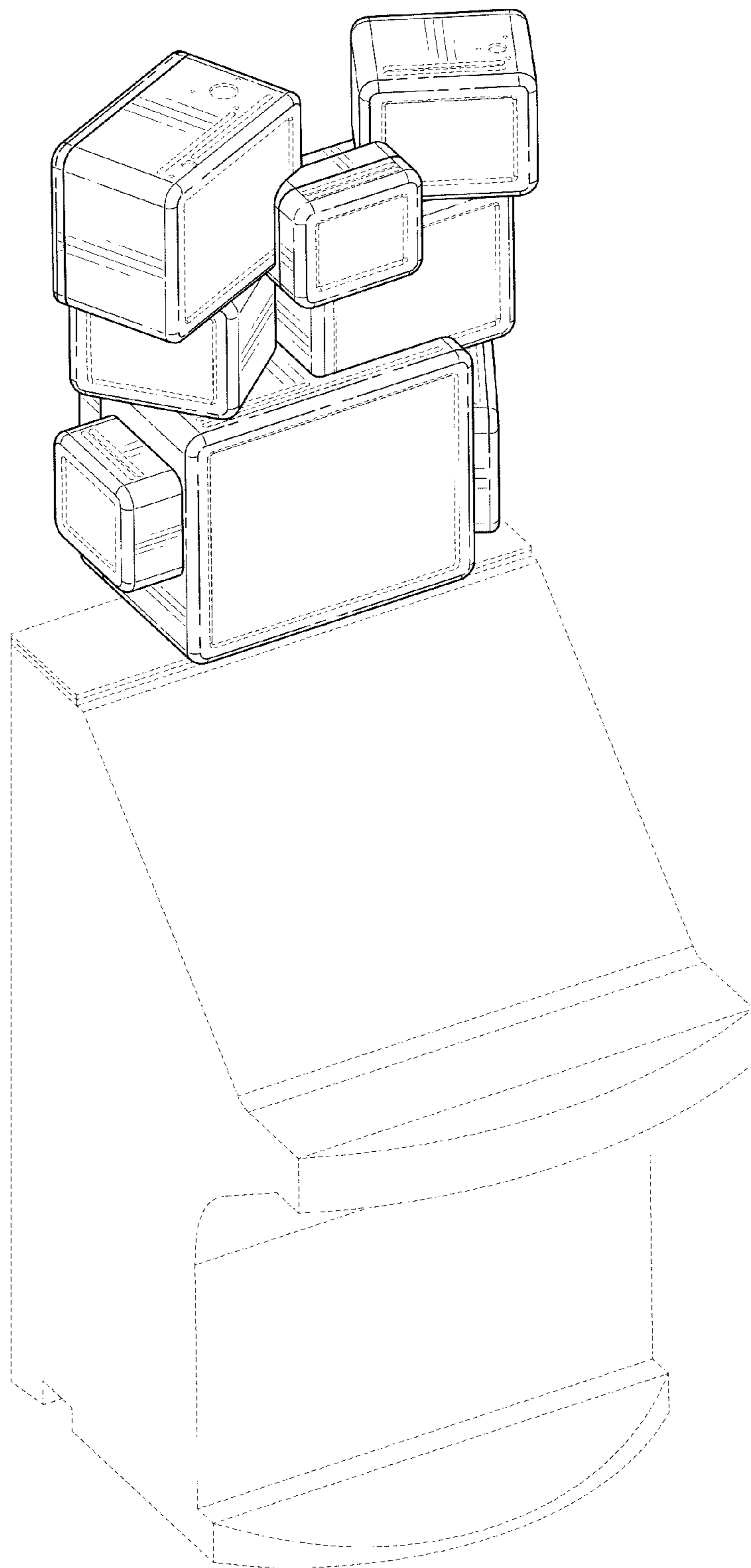


FIG. 4

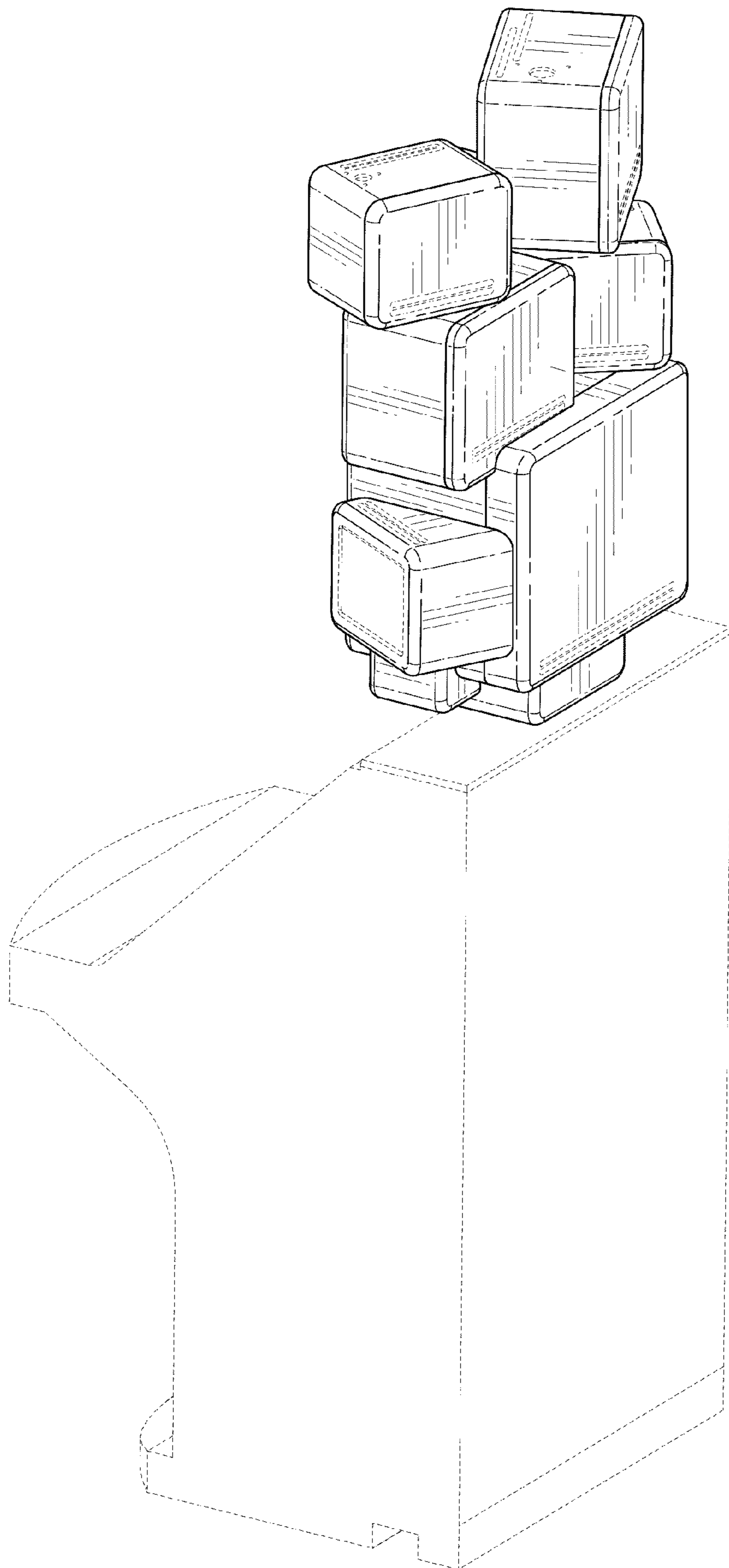


FIG. 5

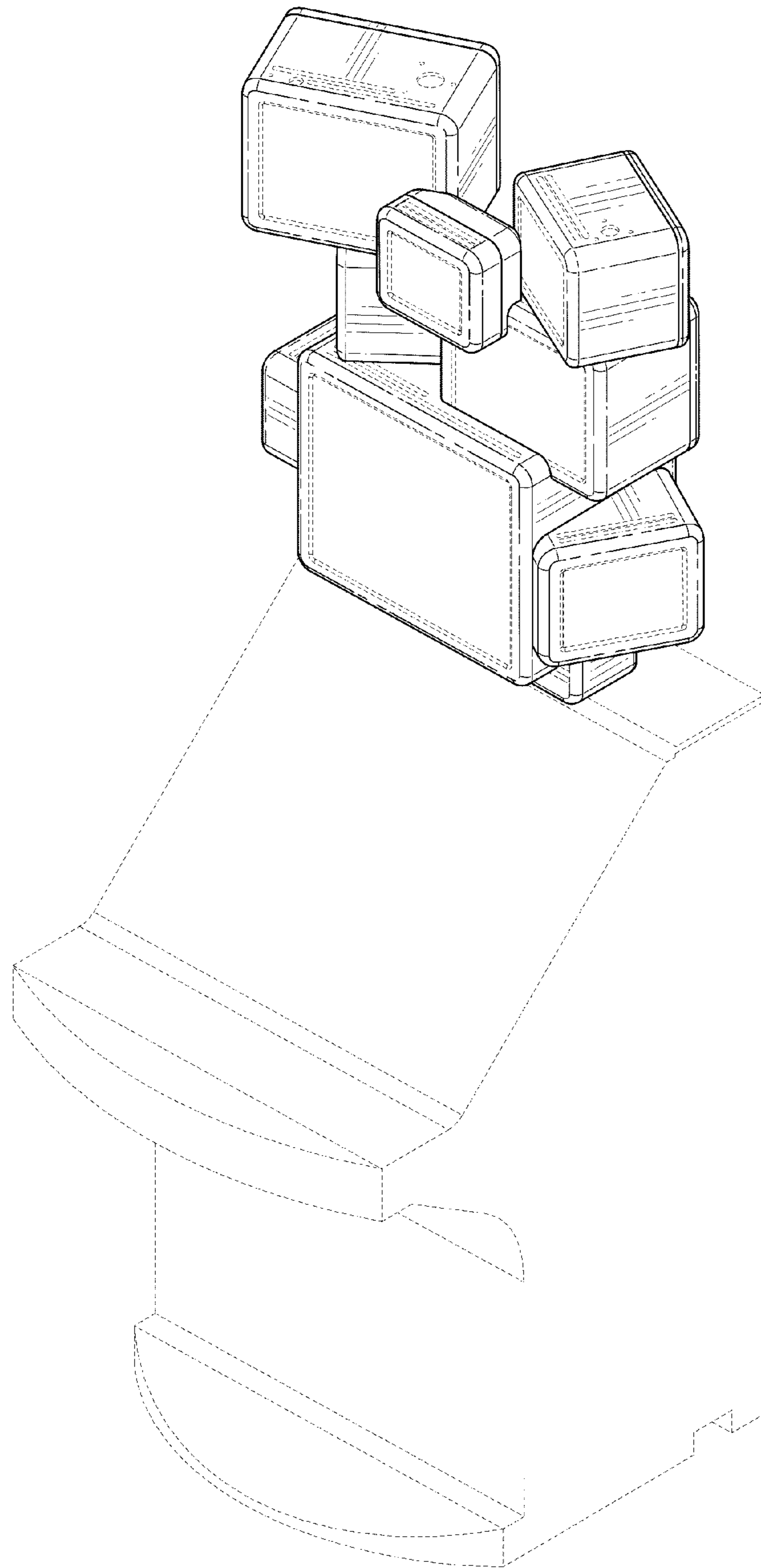


FIG. 6

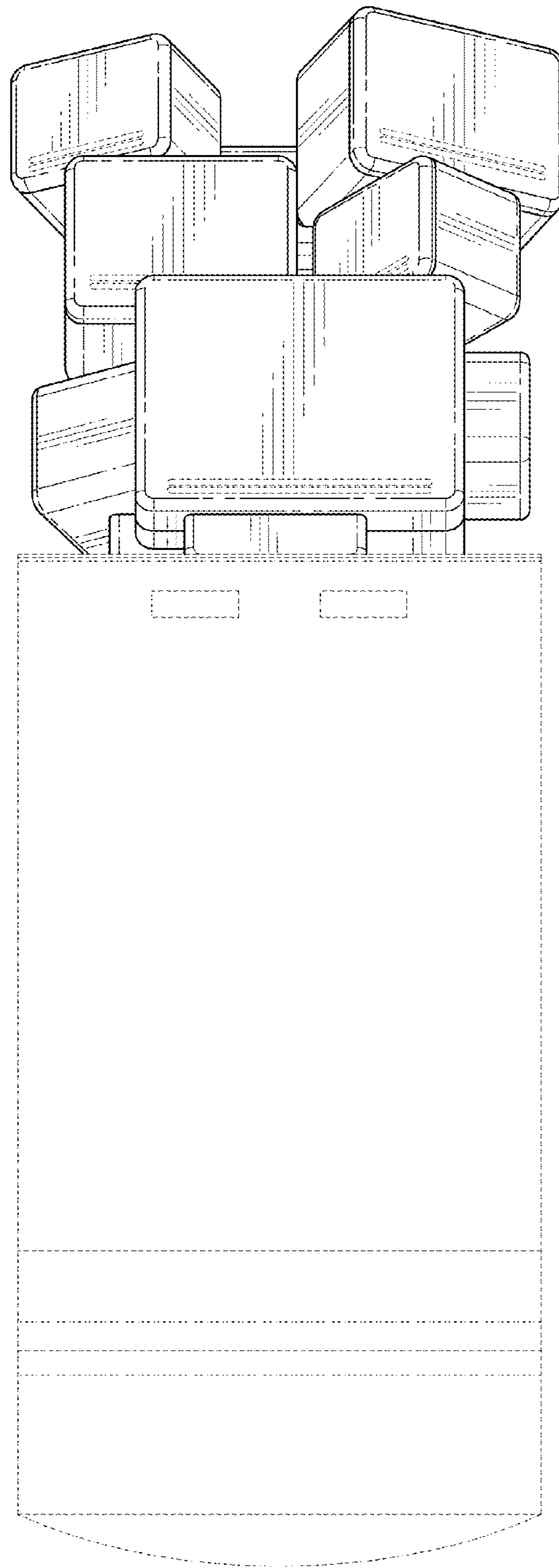


FIG. 7

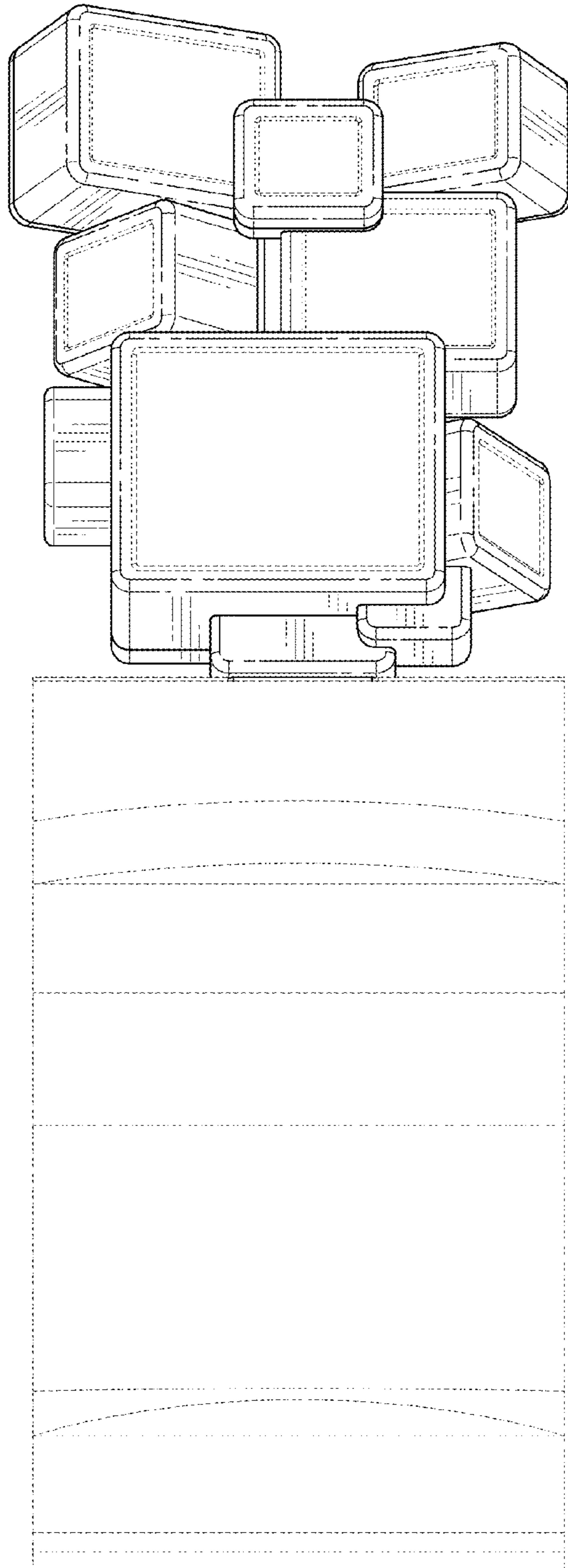


FIG. 8

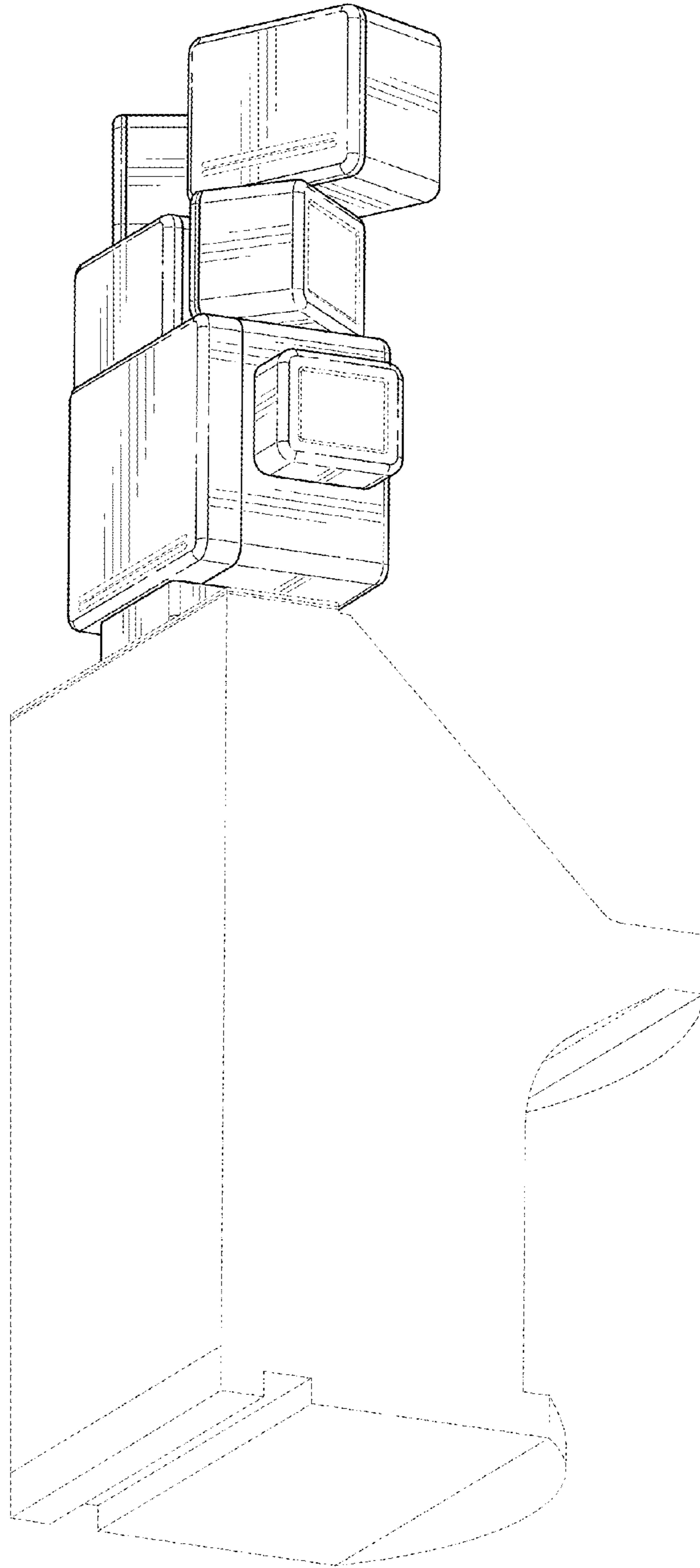


FIG. 9

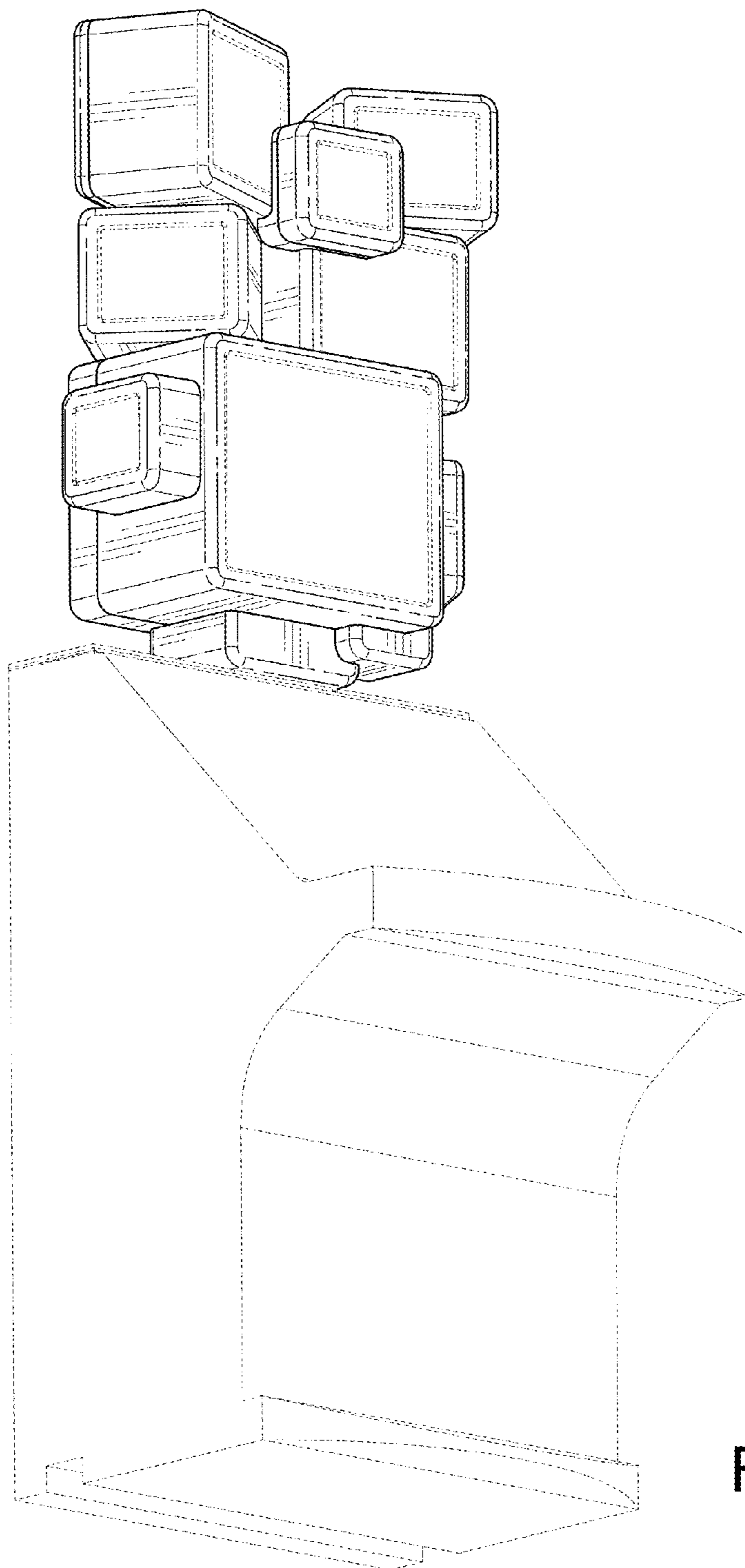


FIG. 10

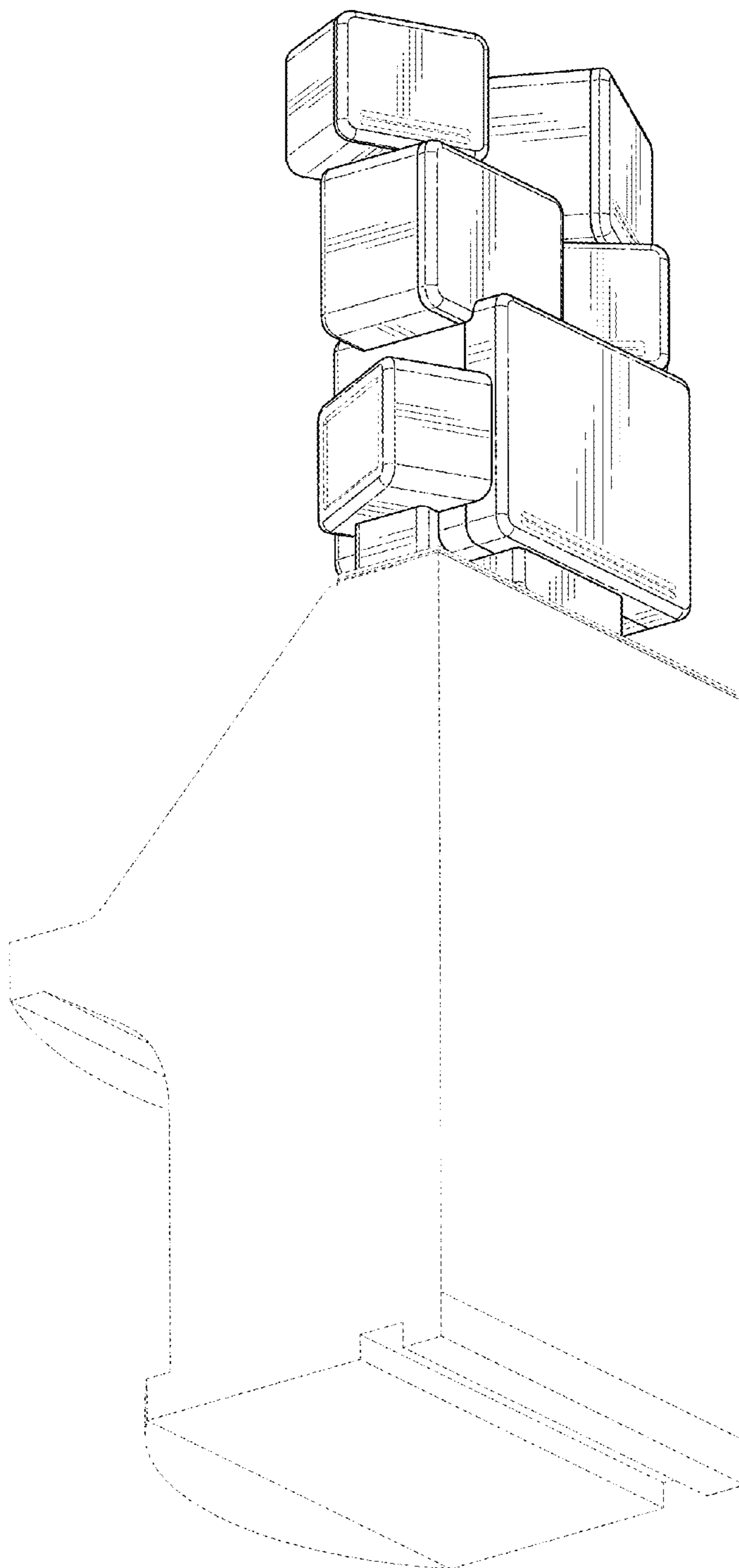


FIG. 11

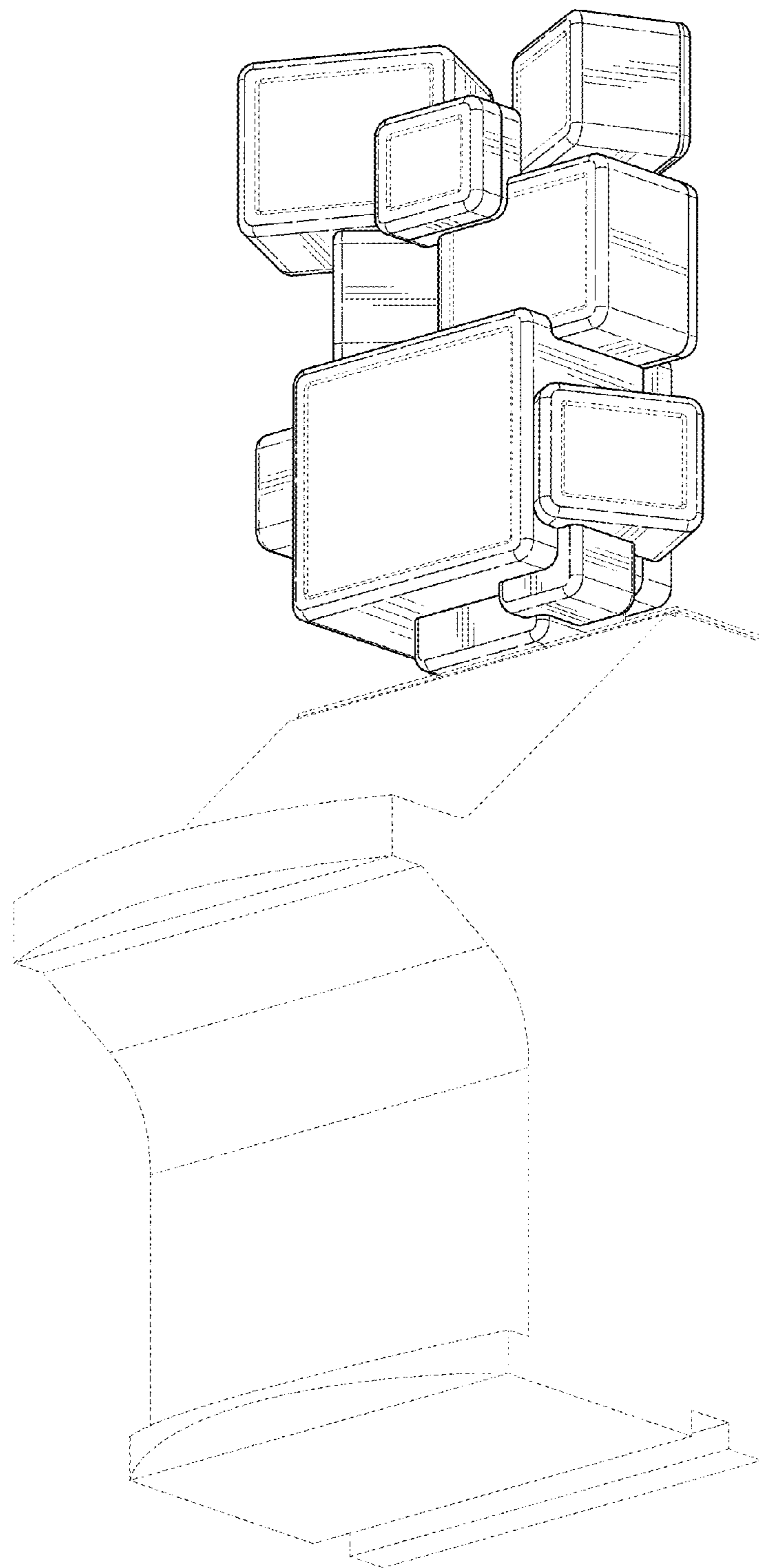


FIG. 12

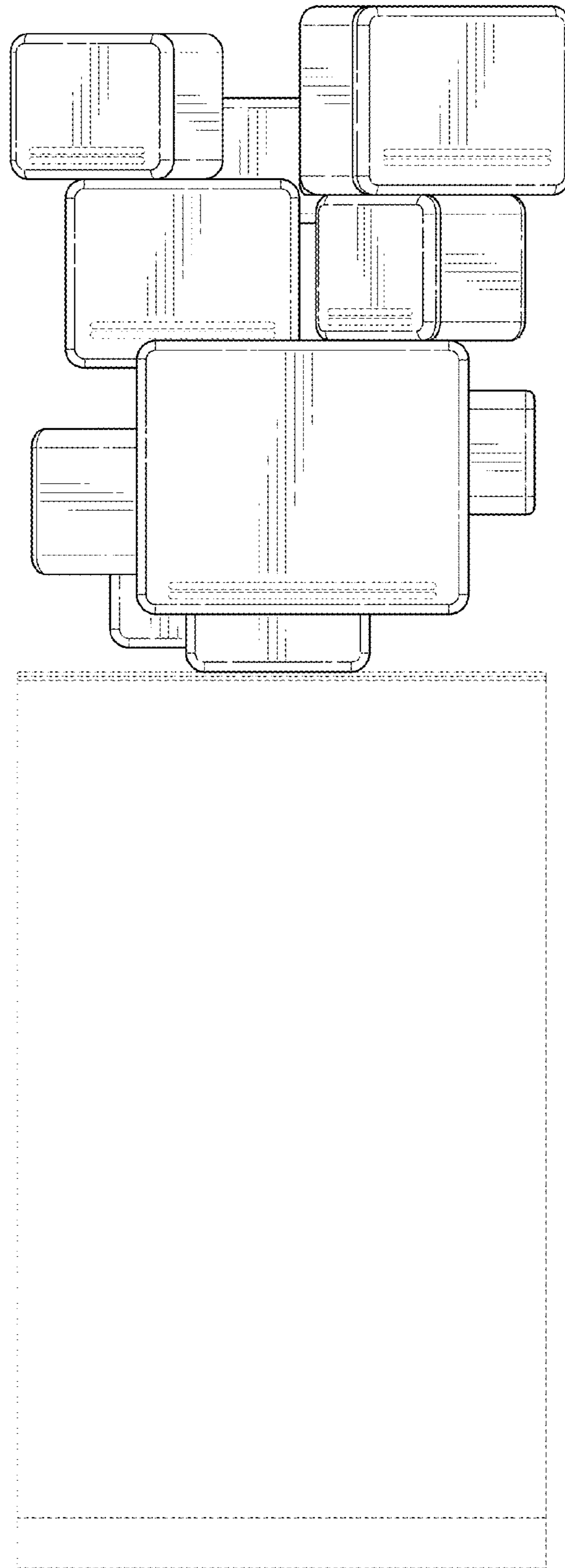


FIG.
13

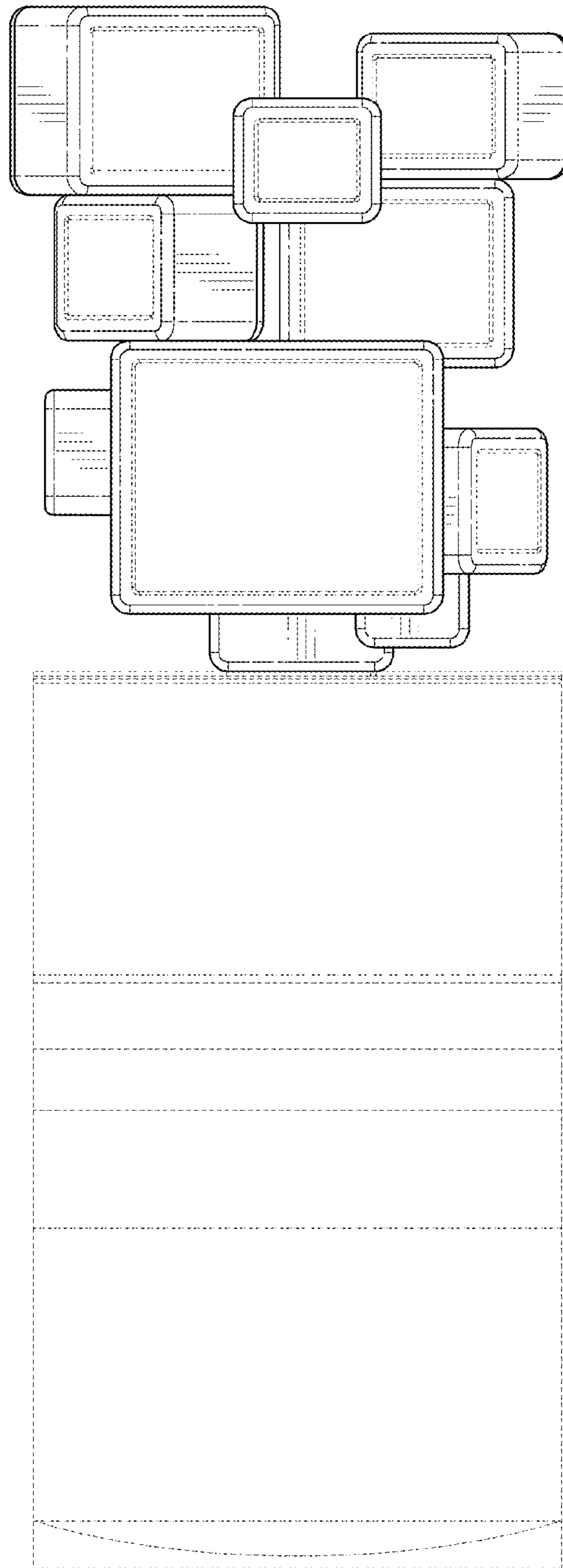


FIG. 14

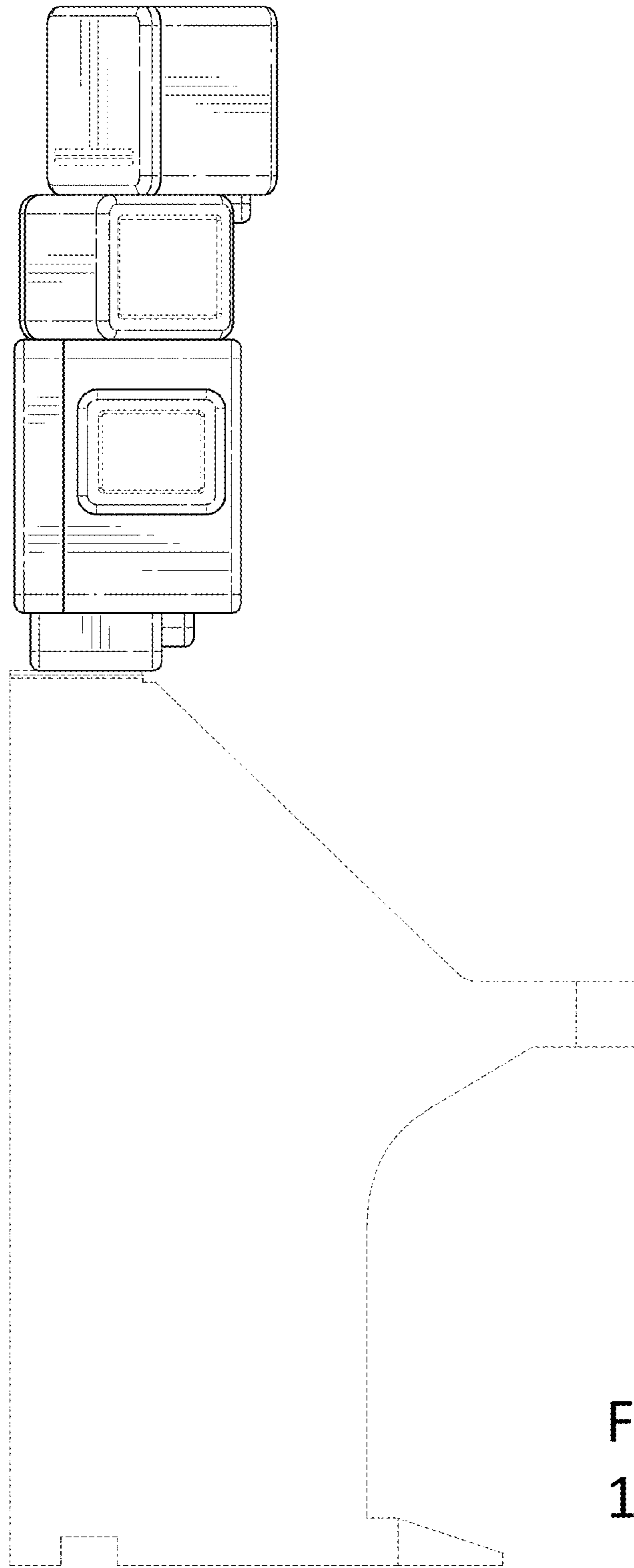


FIG.
15

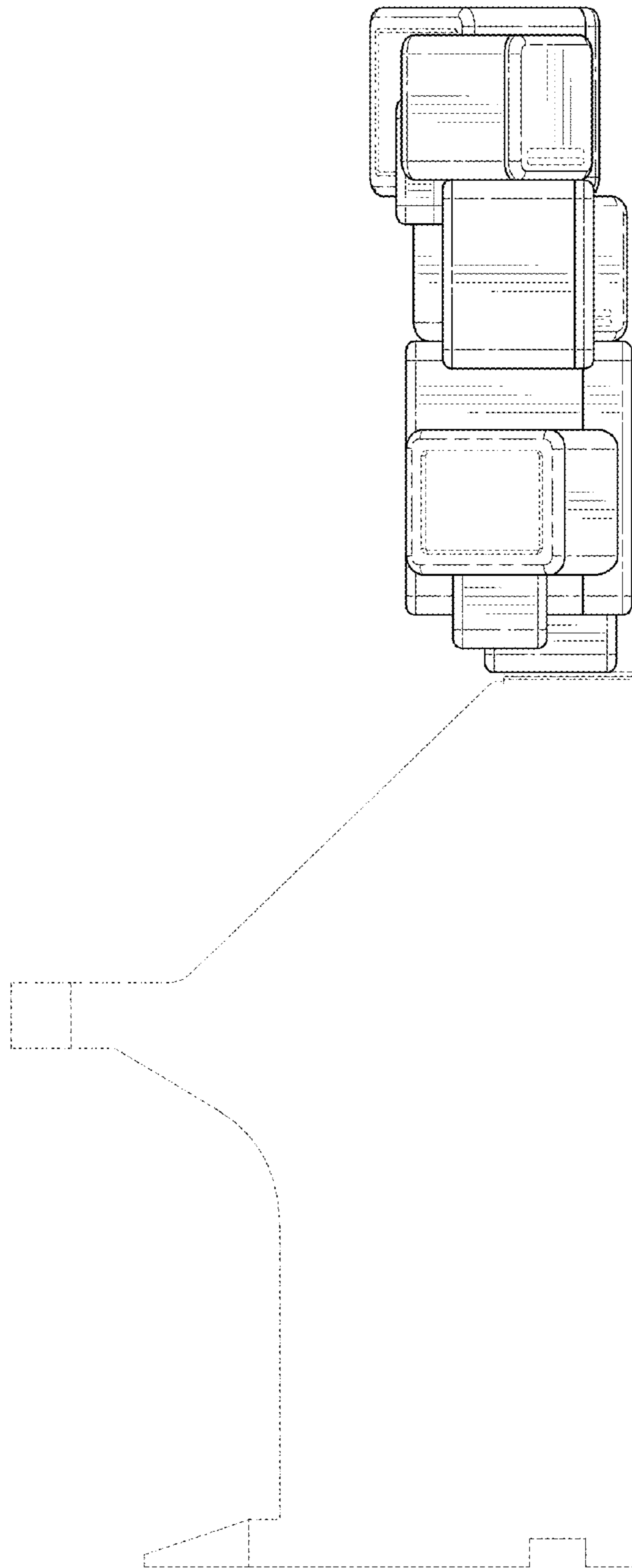


FIG.
16

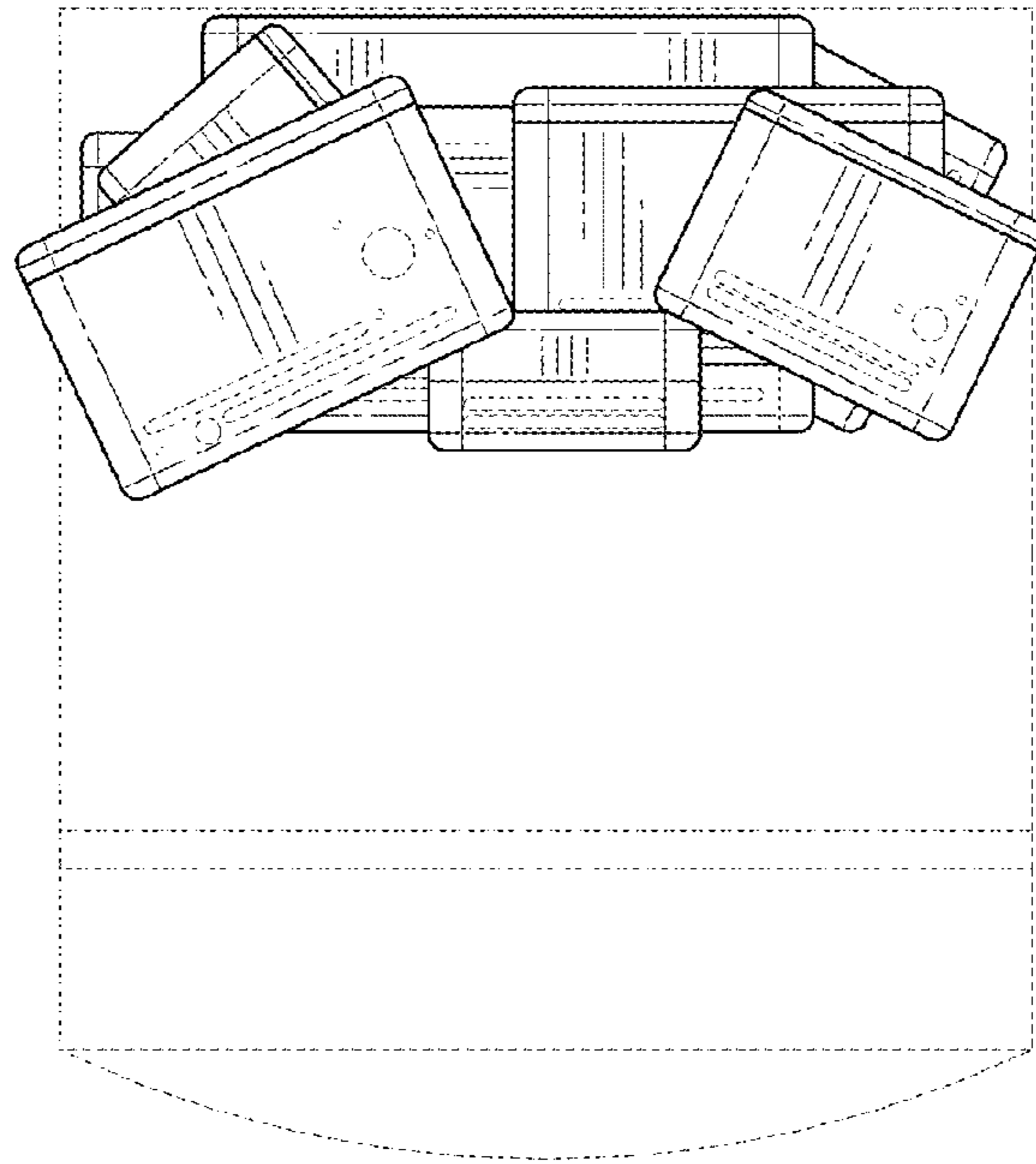


FIG.
17