



US00D769870S

(12) **United States Design Patent** (10) **Patent No.:** **US D769,870 S**
Dorfstatter et al. (45) **Date of Patent:** **** Oct. 25, 2016**

(54) **DOG STATUE ENCLOSURE FOR WIRELESS TELEMETRY DEVICE**
(71) Applicant: **HouseSetter, LLC.**, Grosse Pointe Farms, MI (US)
(72) Inventors: **Walter A. Dorfstatter**, Northville, MI (US); **Chester A. Huber**, Grosse Pointe Farms, MI (US); **Richard M. Lee**, West Bloomfield, MI (US)
(73) Assignee: **HouseSetter, LLC**, Grosse Pointe Farms, MI (US)
(**) Term: **14 Years**
(21) Appl. No.: **29/513,647**
(22) Filed: **Jan. 4, 2015**
(51) **LOC (10) Cl.** **14-02**
(52) **U.S. Cl.**
USPC **D14/358**; D14/432; D16/203; D11/158
(58) **Field of Classification Search**
USPC D14/189, 356-359, 480.2, 143, 177, D14/107, 207, 220, 232, 299; D11/131, D11/134, 135, 157, 158; D16/203, 200; D19/32.4, 82, 97; D21/398, 483, 576, D21/584, 611
CPC H04B 1/03; H04B 1/034; H04B 1/06; H04B 1/08; H04B 1/082; H04B 1/086; H04B 1/088; H04B 1/20; H04B 1/207; H04B 1/38; H04M 1/0214; H04M 1/0262; H04M 1/0297; H04M 1/04; H04Q 2209/43; H04Q 2209/25; H04Q 9/00
See application file for complete search history.

(56) **References Cited**
U.S. PATENT DOCUMENTS
D8,214 S * 3/1875 Fiske D11/158
D60,799 S * 4/1922 McDowell D21/611
D78,921 S * 7/1929 Cunningham D11/158
D81,198 S * 5/1930 Klein D21/611
D86,875 S * 5/1932 Abel D11/158
D146,298 S * 2/1947 Carr D11/158
D156,443 S * 12/1949 Levinson D21/611
D159,707 S * 8/1950 Zimmerman D21/611
D186,323 S * 10/1959 Kinniburgh D21/611

D261,747 S * 11/1981 Carbajales Santa Eulalia D11/158
D262,002 S * 11/1981 Carbajales Santa-Eulalia D11/158
D265,180 S * 6/1982 Santa-Eulalia Carvajales D11/158
D266,752 S * 11/1982 Carbajales Santa-Eulalia D11/158
D267,164 S * 12/1982 Carbajales Santa-Eulalia D11/158
D268,177 S * 3/1983 Santa-Eulalia D11/158
D268,822 S * 5/1983 Carbajales Santa-Eulalia D11/158
D268,917 S * 5/1983 Carbajales Santa-Eulalia D11/158

(Continued)

OTHER PUBLICATIONS

Hachiko Dog Statue. flickr.com [online] 1 page. Posted Jan. 8, 2005 [retrieved on Mar. 15, 2016]. Retrieved from Internet: <https://www.flickr.com/photos/steddyrupin/171594532/>.*

Primary Examiner — Susan Bennett Hattan
Assistant Examiner — Marie Fast Horse
(74) *Attorney, Agent, or Firm* — Great Lakes Intellectual Property, PLLC.

(57) **CLAIM**
The ornamental design for a dog statue enclosure for wireless telemetry device, as shown and described.

DESCRIPTION

FIG. 1 is a perspective view of our new design; FIG. 2 is a left-side view thereof; FIG. 3 is a right-side view thereof; FIG. 4 is a front view thereof; FIG. 5 is a rear view thereof; FIG. 6 is a top view thereof; and, FIG. 7 is a bottom view thereof.
The broken lines in the drawings depict parts of the dog statue enclosure for wireless telemetry device that form no part of the claimed design.

1 Claim, 3 Drawing Sheets



(56)

References Cited

U.S. PATENT DOCUMENTS

D271,677 S * 12/1983 Ivy D11/158
D284,458 S * 7/1986 Close D11/158
D374,229 S * 10/1996 Fitzgerald D14/143
D437,898 S * 2/2001 Phillipson D21/611
D467,982 S * 12/2002 Watson D21/585
D558,935 S * 1/2008 Rutherford D21/611
D559,476 S * 1/2008 Rutherford D21/611
D566,795 S * 4/2008 Judkins D21/578

D575,358 S * 8/2008 Gibson D11/158
D586,837 S * 2/2009 McCoin D16/203
D654,198 S * 2/2012 van der Lande D26/47
8,997,697 B1 * 4/2015 Dailey A01M 29/16
119/719
D751,619 S * 3/2016 Jeong D16/203
2009/0109057 A1 * 4/2009 Lenger H04Q 9/00
340/870.07
2016/0021506 A1 * 1/2016 Bonge, Jr. A01K 27/009
717/173

* cited by examiner

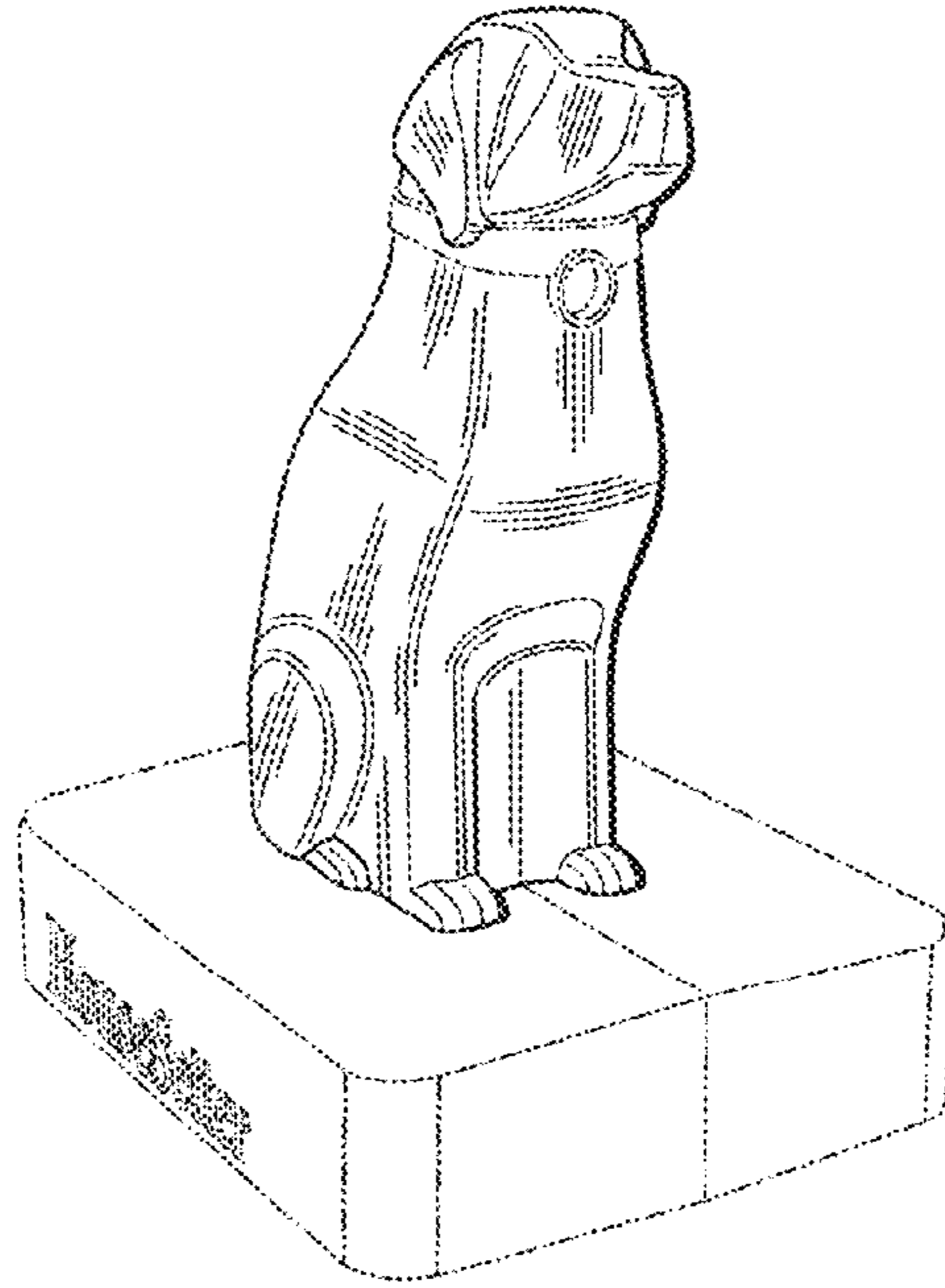


FIG. 1

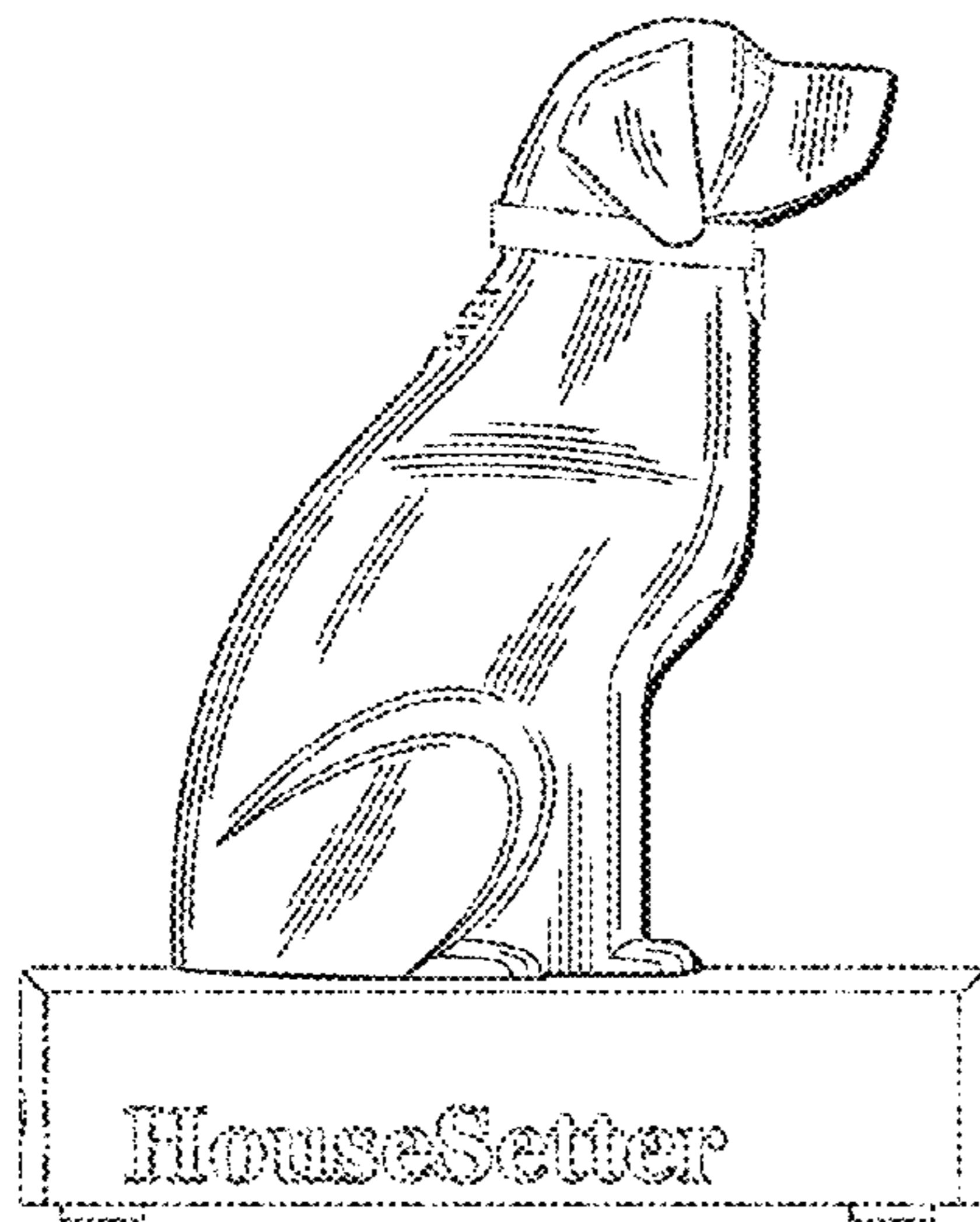


FIG. 2

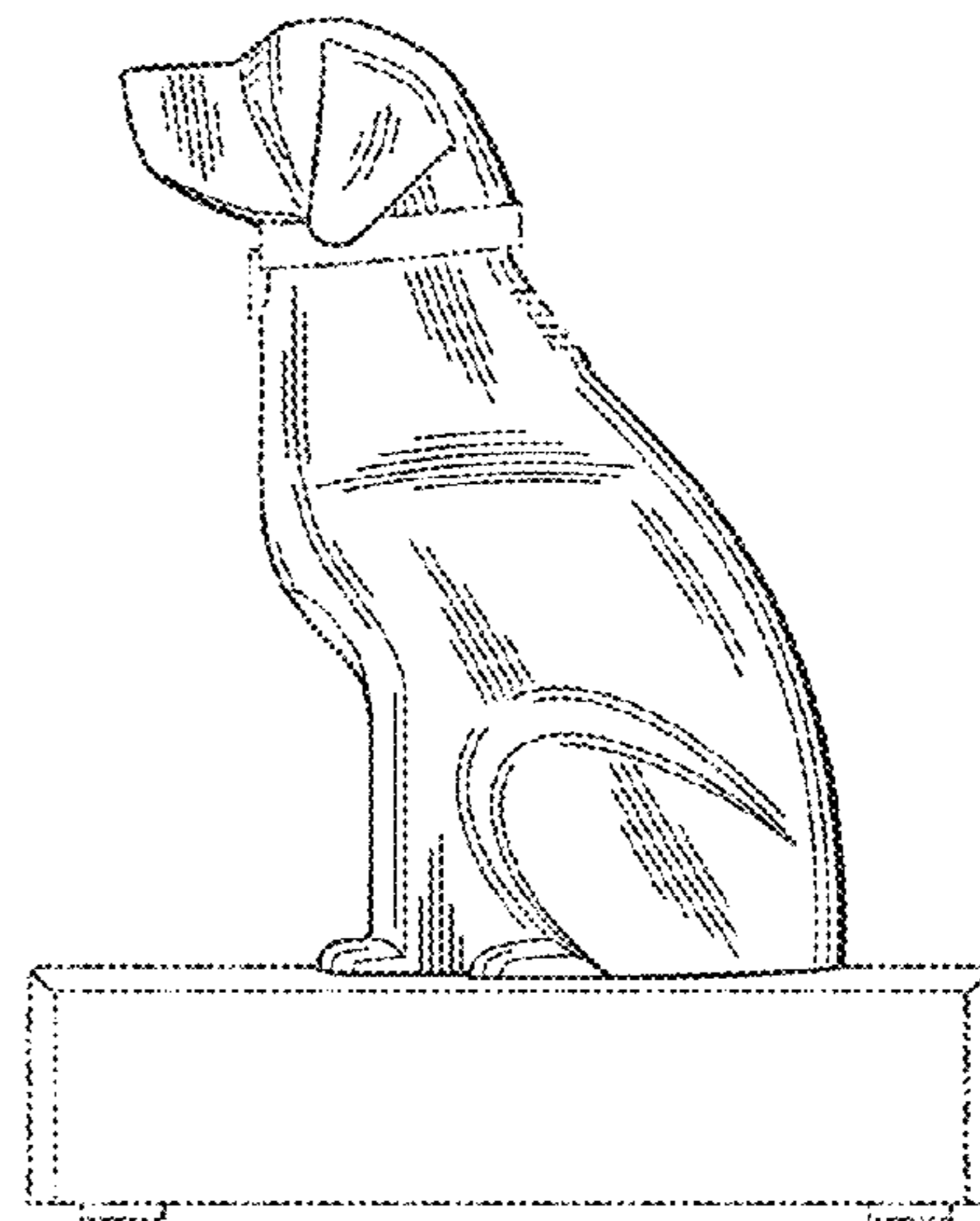


FIG. 3

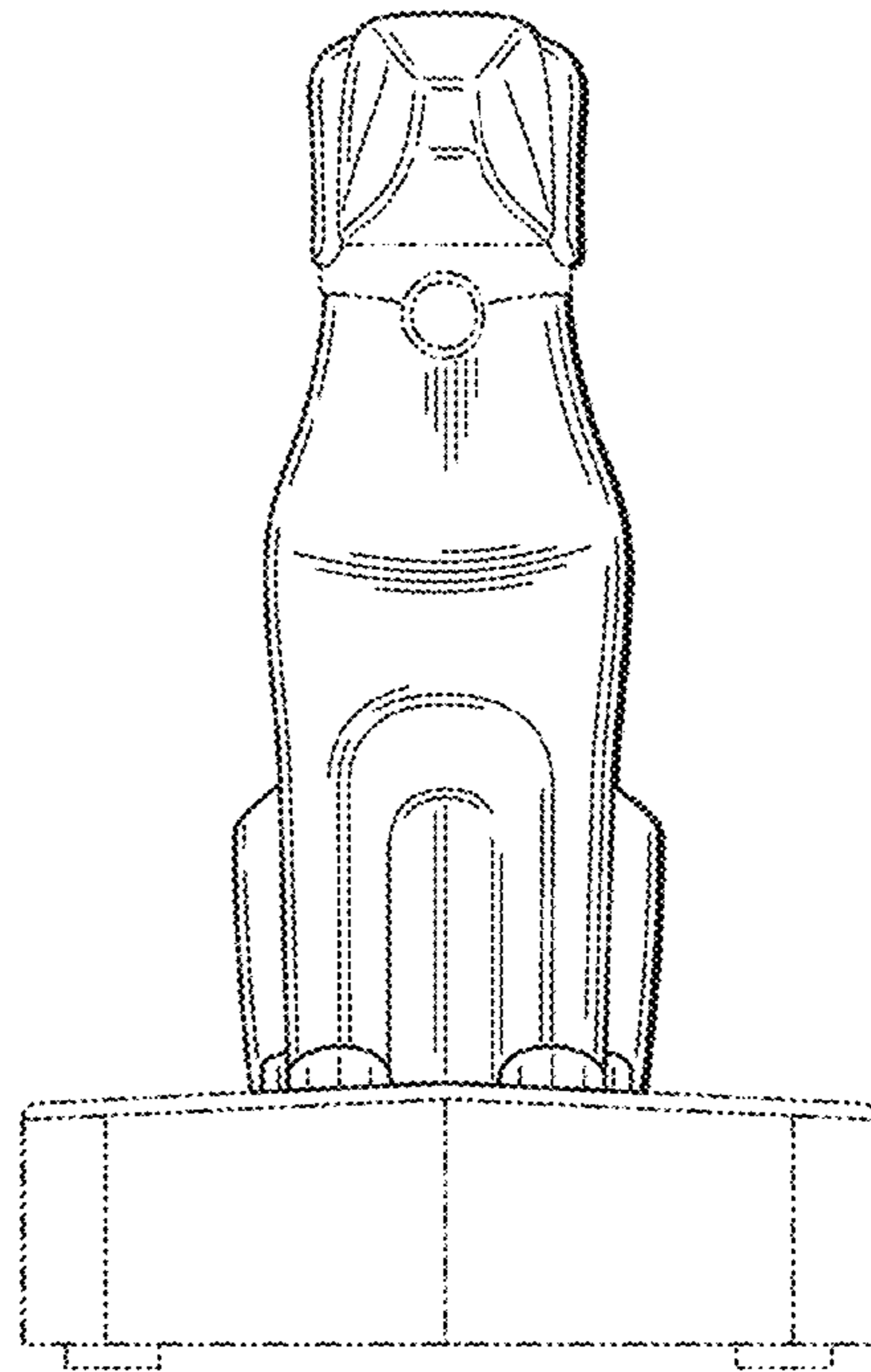


FIG. 4

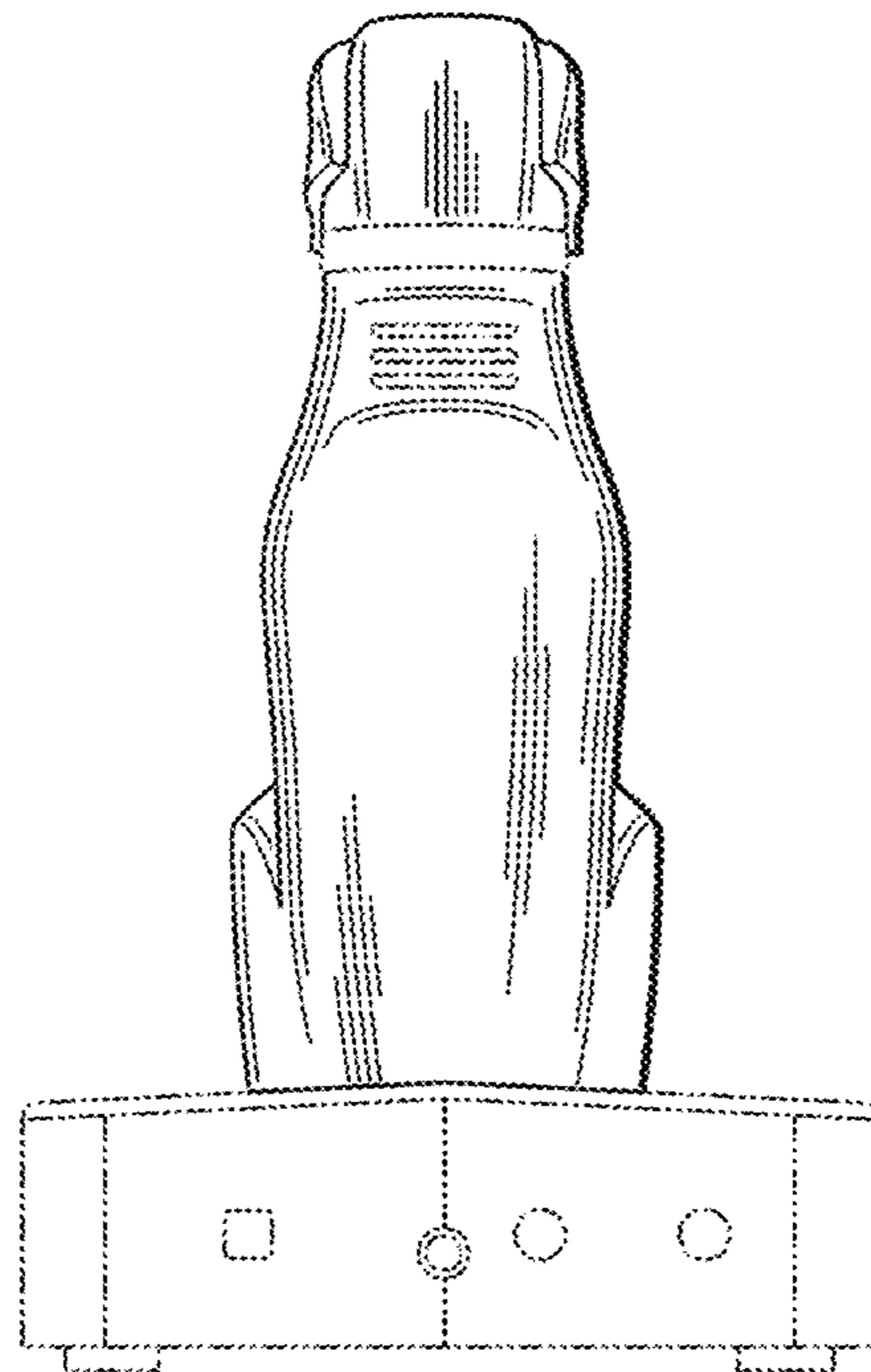


FIG. 5

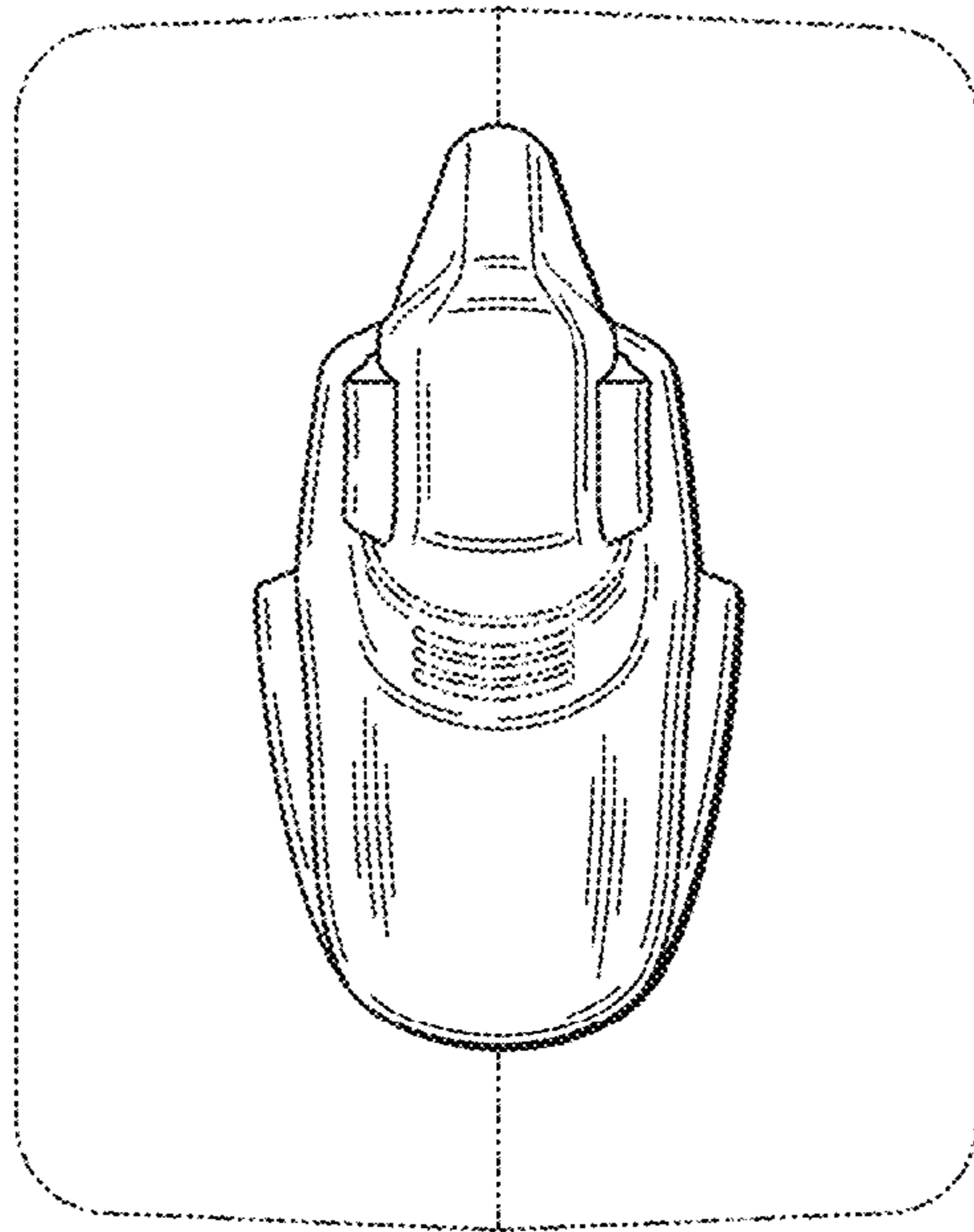


FIG. 6

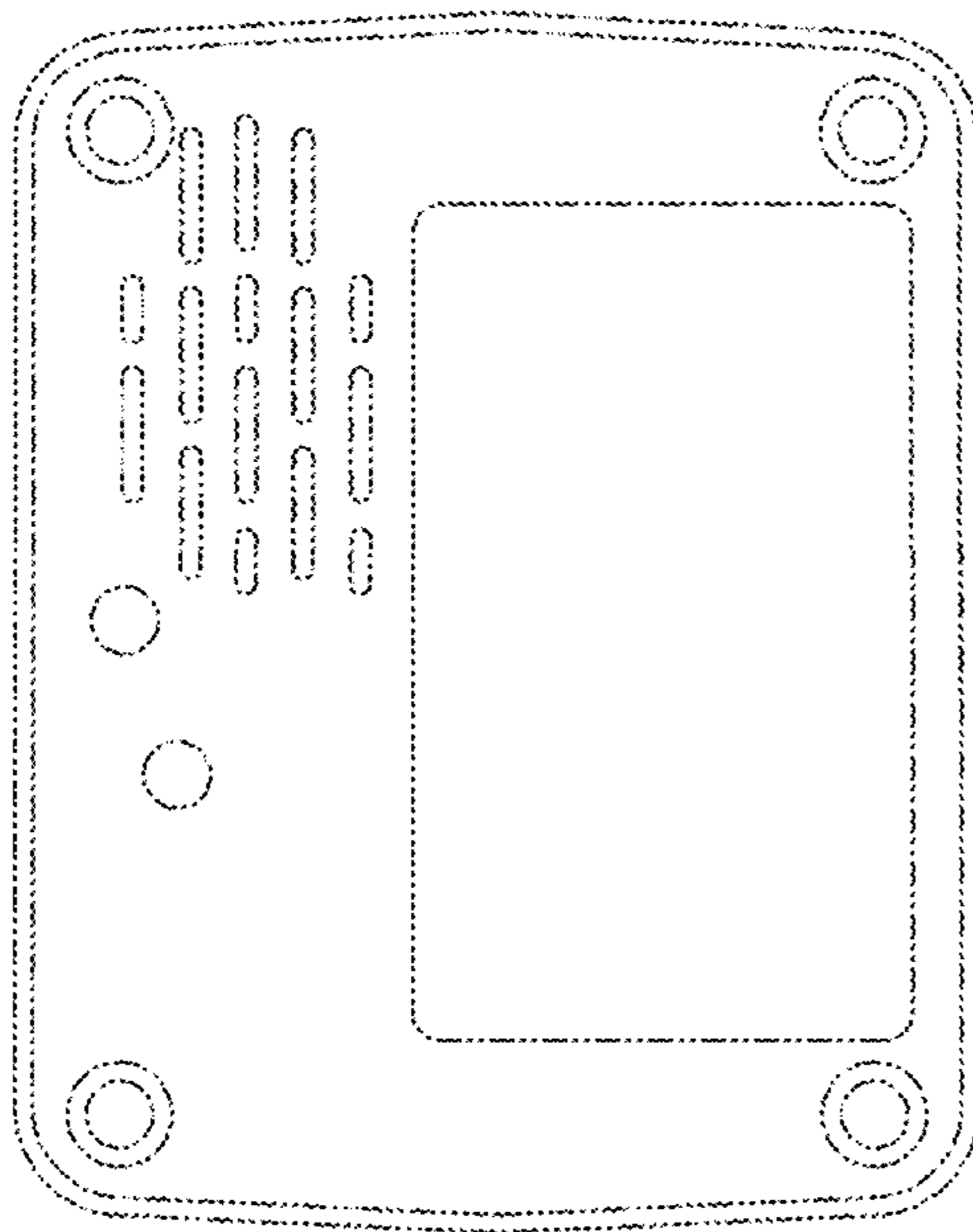


FIG. 7