



US00D769868S

(12) **United States Design Patent**
Isaacs et al.

(10) **Patent No.:** **US D769,868 S**
(45) **Date of Patent:** **** Oct. 25, 2016**

- (54) **WEARABLE ELECTRONIC DEVICE**
- (71) Applicant: **MOTOROLA MOBILITY LLC**,
Chicago, IL (US)
- (72) Inventors: **Dickon Isaacs**, Chicago, IL (US); **Chad E Davis**, Chicago, IL (US); **Steve C Emmert**, McHenry, IL (US); **Thomas E Gitzinger**, Libertyville, IL (US)
- (73) Assignee: **Motorola Mobility LLC**, Chicago, IL (US)
- (**) Term: **14 Years**
- (21) Appl. No.: **29/478,182**
- (22) Filed: **Jan. 2, 2014**
- (51) **LOC (10) Cl.** **14-02**
- (52) **U.S. Cl.**
USPC **D14/344**
- (58) **Field of Classification Search**
USPC D14/341-347, 371, 426, 427; D11/3;
D10/30-39, 70, 128
CPC A61B 2017/60442; A61B 2017/6824;
A61B 5/681; A61B 5/02438; A61B 5/1112;
A61B 5/0022; H04B 1/385; A44C 5/14;
A44C 5/12
See application file for complete search history.

(56) **References Cited**

U.S. PATENT DOCUMENTS

- 3,492,809 A * 2/1970 Gisiger-Lusa A44C 5/14
368/282
- D335,263 S * 5/1993 Willis 273/DIG. 30
(Continued)

OTHER PUBLICATIONS

ASOS, "ASOS Round Face Watch", <http://www.asos.com/Asos/Asos-Round-Face-Watch/Prod/pgproduct.aspx?iid=2903561&abi=1&clr=black&r=2>, Dec. 31, 2013, 4 pages.

Primary Examiner — Mary Ann Calabrese
Assistant Examiner — Jennifer L Rempfer

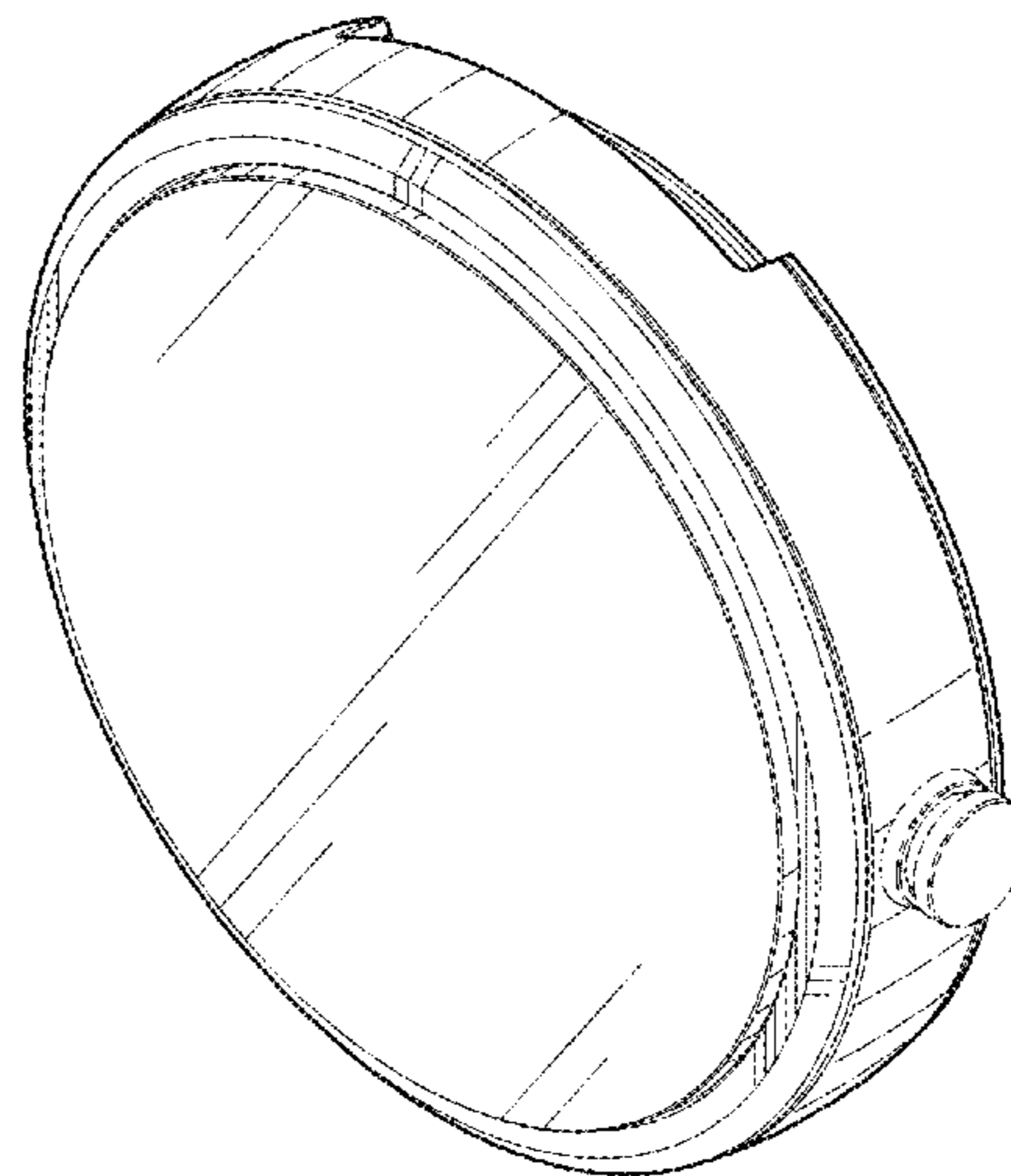
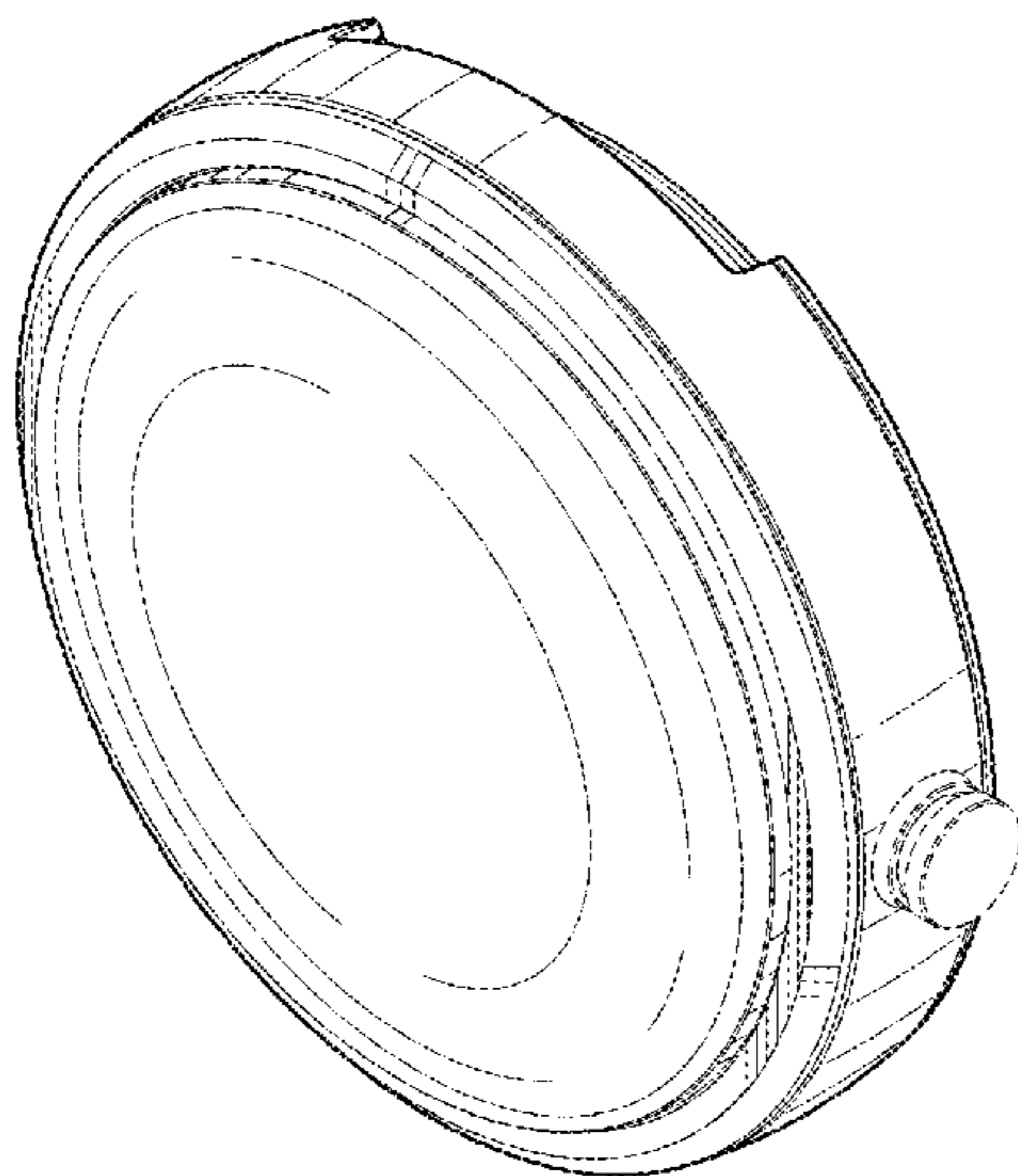
(57) **CLAIM**

The ornamental design for a wearable electronic device, as shown and described.

DESCRIPTION

FIG. 1 is a front perspective view of a first embodiment of an ornamental design for a wearable electronic device; FIG. 2 is a rear perspective view of the first embodiment thereof; FIG. 3 is a front view of the first embodiment thereof; FIG. 4 is a rear view of the first embodiment thereof; FIG. 5 is a first side view of the first embodiment thereof; FIG. 6 is a second side view of the first embodiment thereof; FIG. 7 is a top view of the first embodiment thereof; and FIG. 8 is a bottom view of the first embodiment thereof. FIG. 9 is a front perspective view of a second embodiment of an ornamental design for a user interface; FIG. 10 is a rear perspective view of the second embodiment thereof; FIG. 11 is a front view of the second embodiment thereof; FIG. 12 is a rear view of the second embodiment thereof; FIG. 13 is a first side view of the second embodiment thereof; FIG. 14 is a second side view of the second embodiment thereof; FIG. 15 is a top view of the second embodiment thereof; and, FIG. 16 is a bottom view of the second embodiment thereof. The broken lines shown in FIGS. 1-16 that are immediately adjacent to the shaded areas, and define unshaded regions, represent the bounds of the claim, while all other broken ones are directed to environment and form no part of the claim.

1 Claim, 8 Drawing Sheets



(56)

References Cited

U.S. PATENT DOCUMENTS

D362,396 S * 9/1995 Chester D10/128
 D521,394 S * 5/2006 Tang D10/30
 D604,643 S * 11/2009 Ahlstrom D10/31
 D621,399 S * 8/2010 Ahlstrom D14/344
 D710,845 S * 8/2014 Aumiller D14/344
 D711,872 S * 8/2014 Aumiller D14/344
 D711,873 S * 8/2014 Aumiller D14/344
 D714,288 S * 9/2014 Aumiller D14/344
 D719,467 S * 12/2014 Bradbury D10/32
 8,902,714 B2 * 12/2014 Gossweiler, II G04G 21/08
 368/10
 D725,493 S * 3/2015 Rimanelli D10/30
 D726,672 S * 4/2015 Olodort D14/138 G
 D726,677 S * 4/2015 Choi D10/38
 D726,679 S * 4/2015 Kim D10/38
 D726,680 S * 4/2015 Kim D10/37
 D729,655 S * 5/2015 Bauer D10/70
 D730,198 S * 5/2015 Perko D10/31

9,030,446 B2 * 5/2015 Mistry G06F 3/0304
 178/18.09
 D731,455 S * 6/2015 Park D10/38
 D733,130 S * 6/2015 Kim D14/344
 D735,069 S * 7/2015 Paradise D11/3
 D735,589 S * 8/2015 Grinberg D10/38
 2003/0229276 A1 * 12/2003 Sarussi A61B 5/02433
 600/322
 2004/0138568 A1 * 7/2004 Lo A61B 5/02438
 600/459
 2009/0005661 A1 * 1/2009 Ozawa A61B 5/681
 600/322
 2012/0330126 A1 * 12/2012 Hoppe A61B 5/0002
 600/391
 2013/0096411 A1 * 4/2013 Kato A61B 5/0408
 600/390
 2013/0137956 A1 * 5/2013 Okuda A61B 5/0408
 600/390
 2014/0307531 A1 * 10/2014 Boularas A44C 5/107
 368/282

* cited by examiner

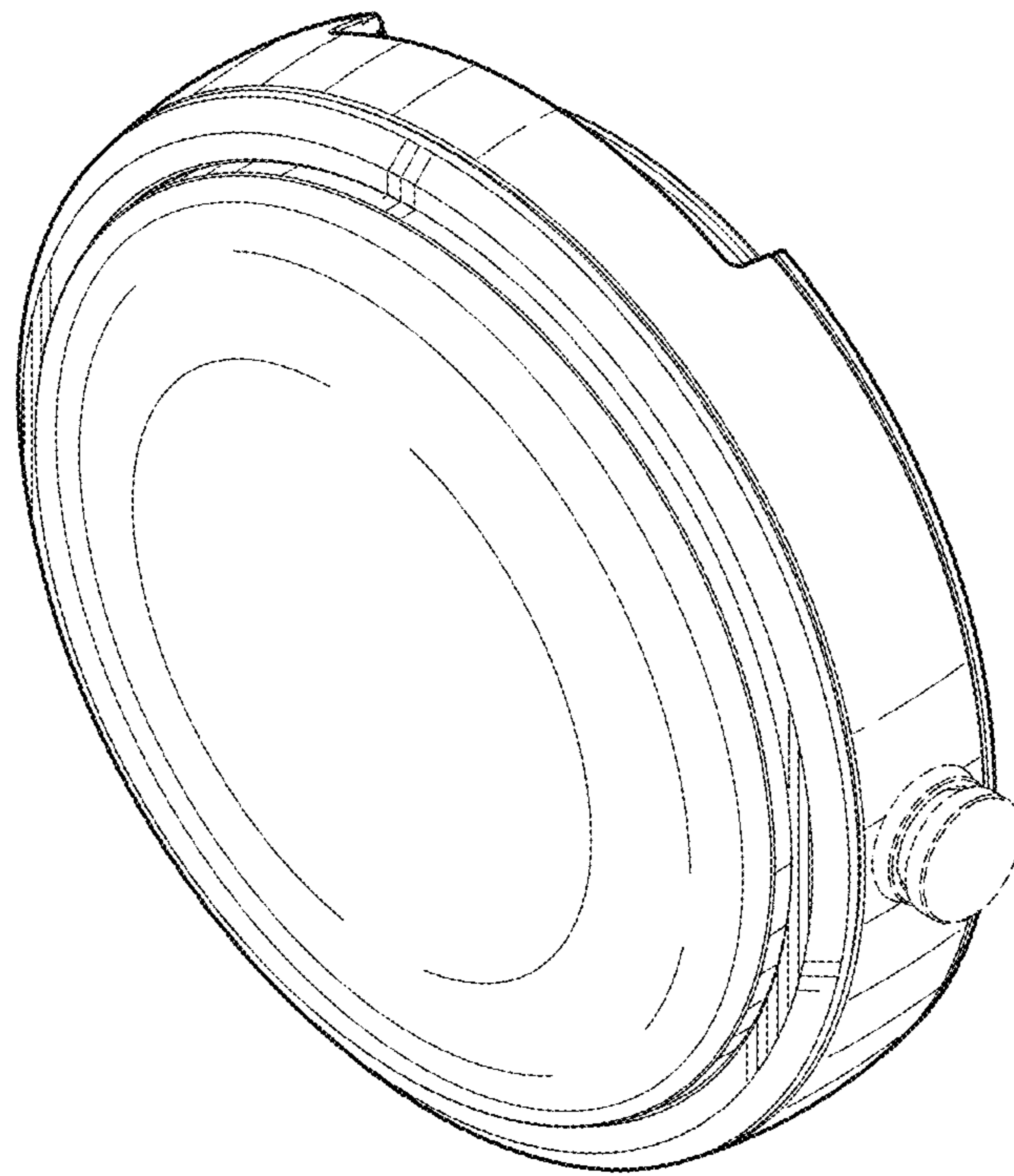


FIG. 1

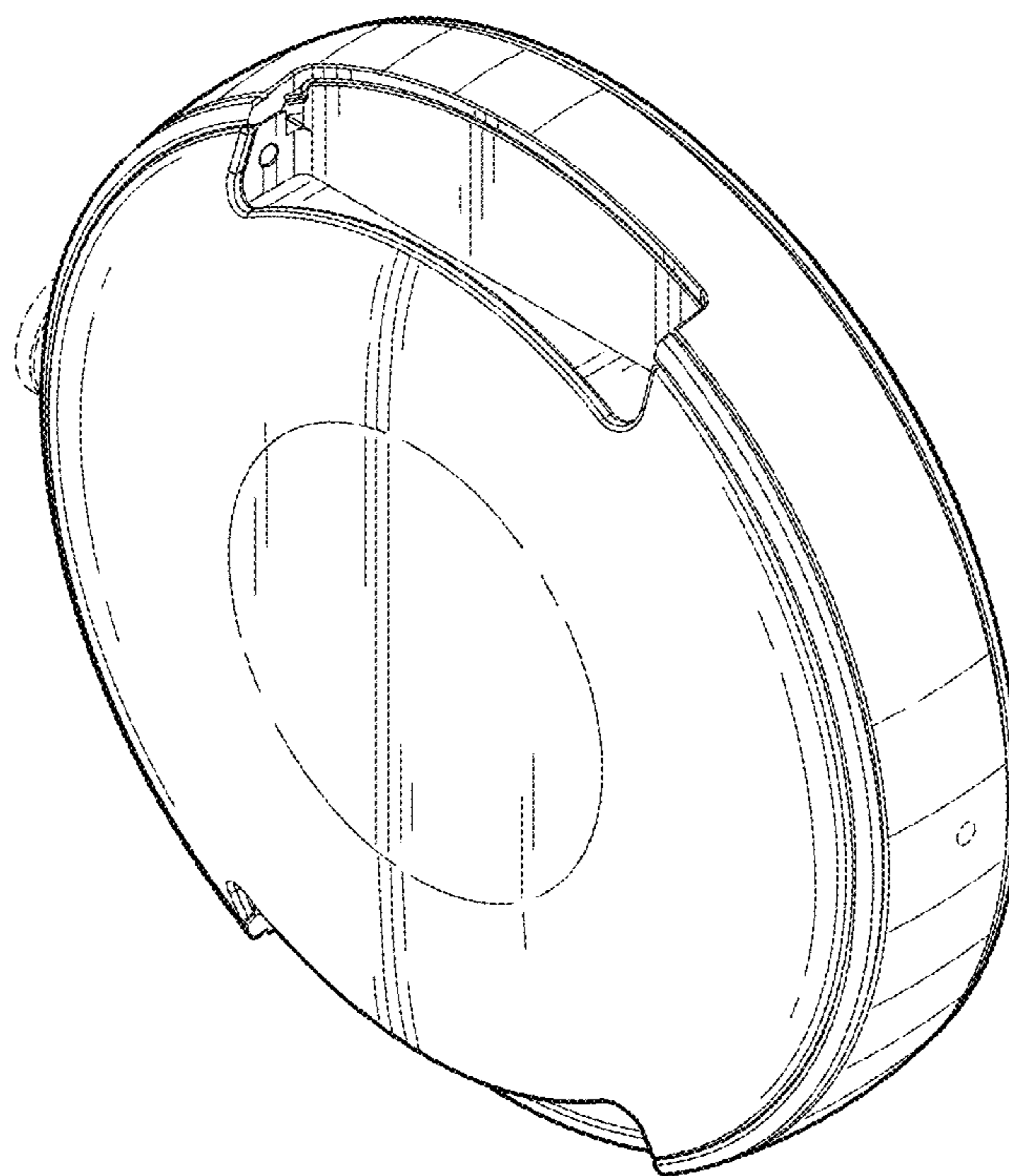


FIG. 2

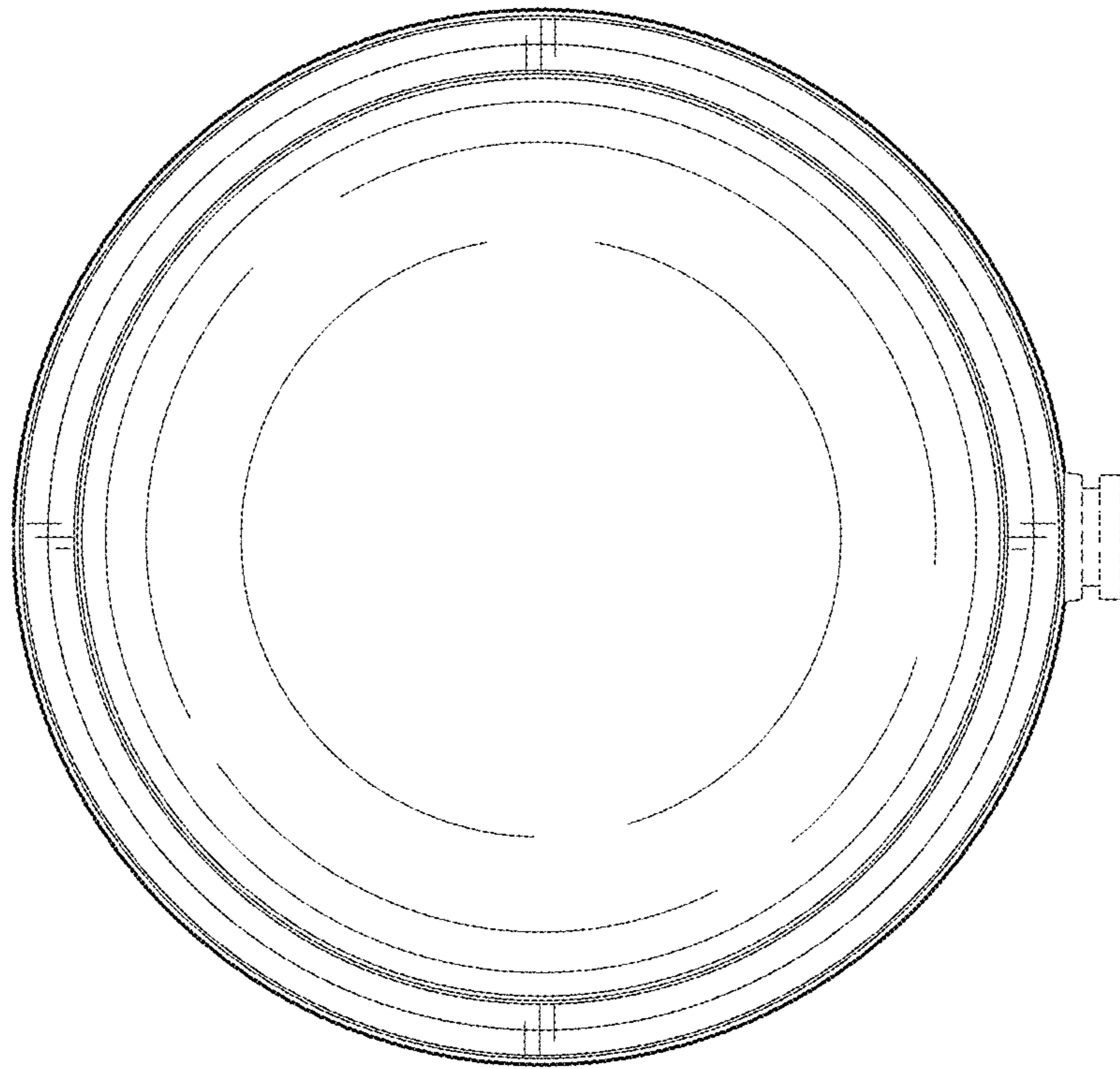


FIG. 3

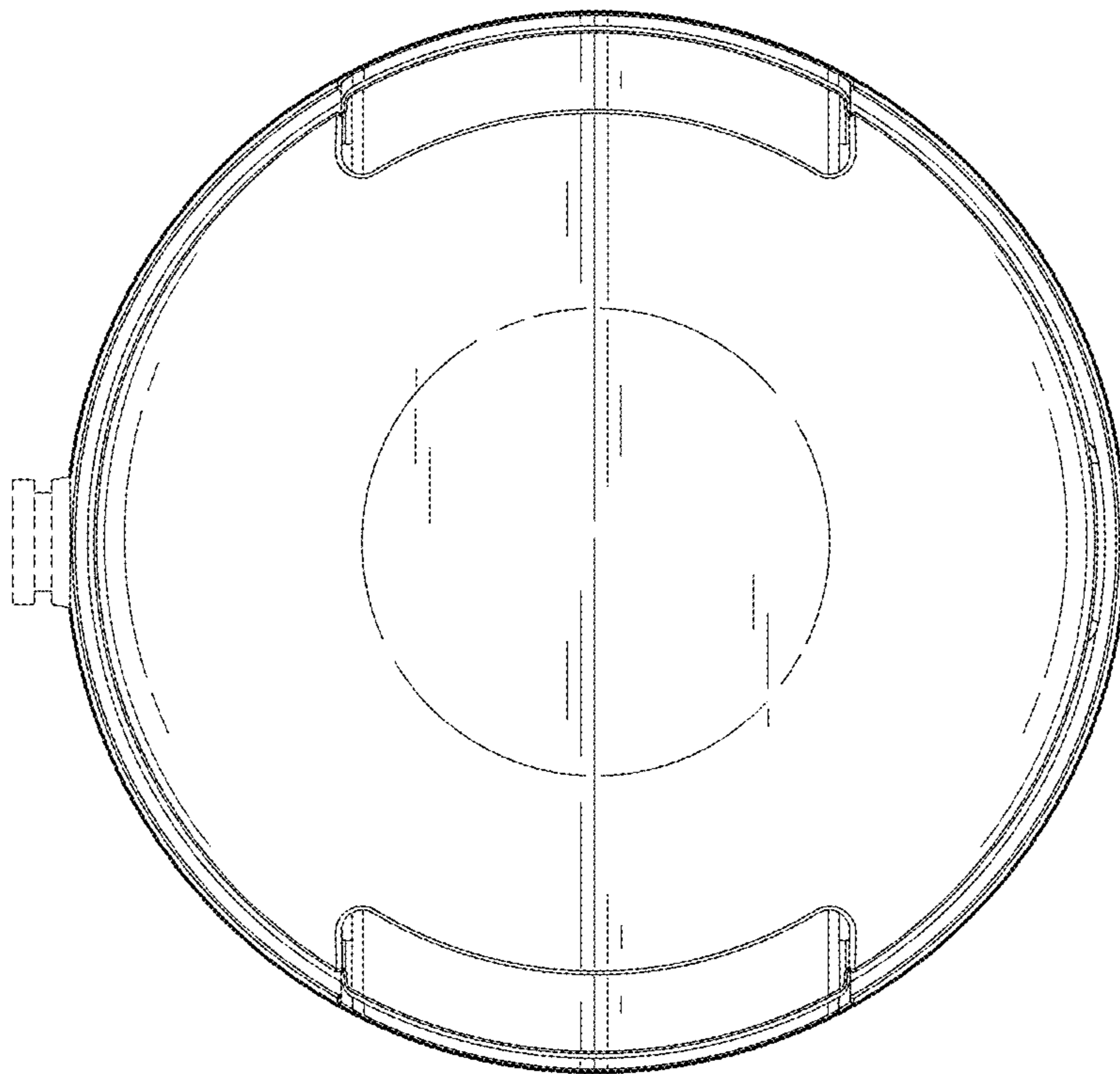


FIG. 4

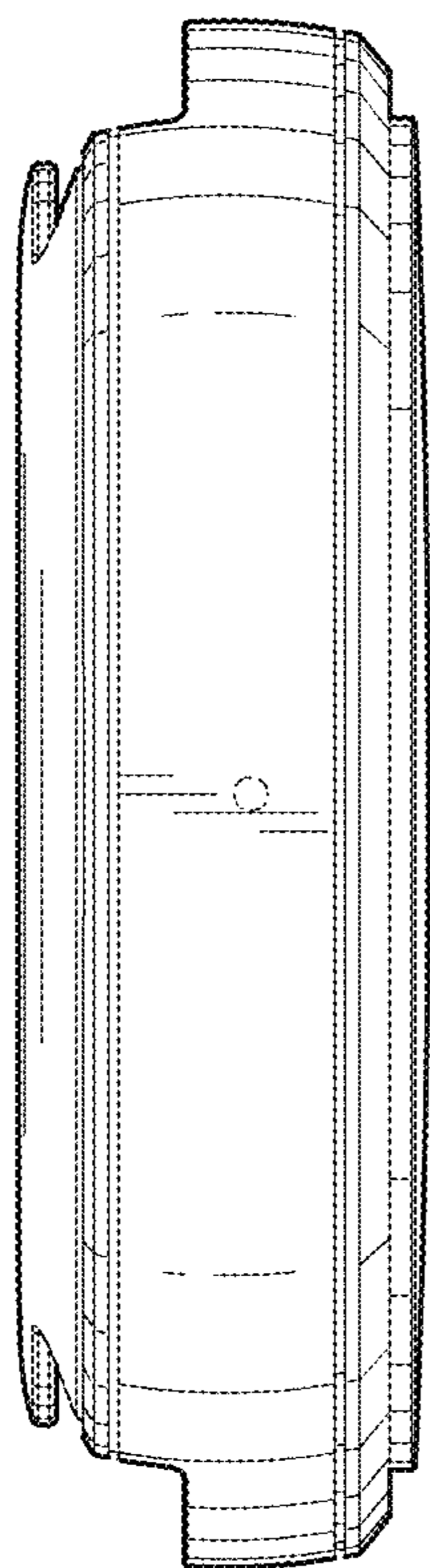


FIG. 5

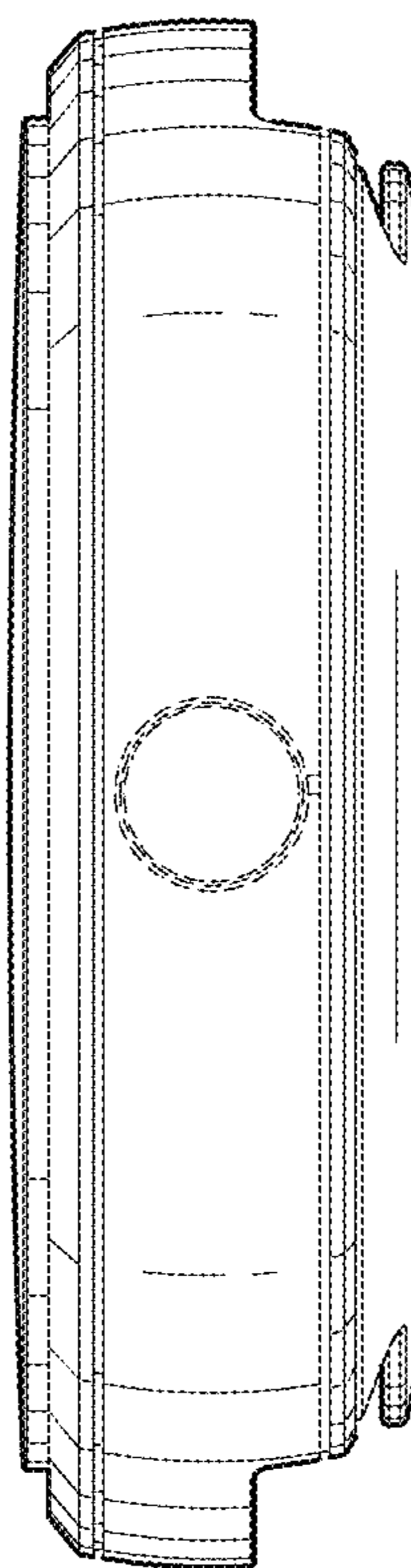


FIG. 6

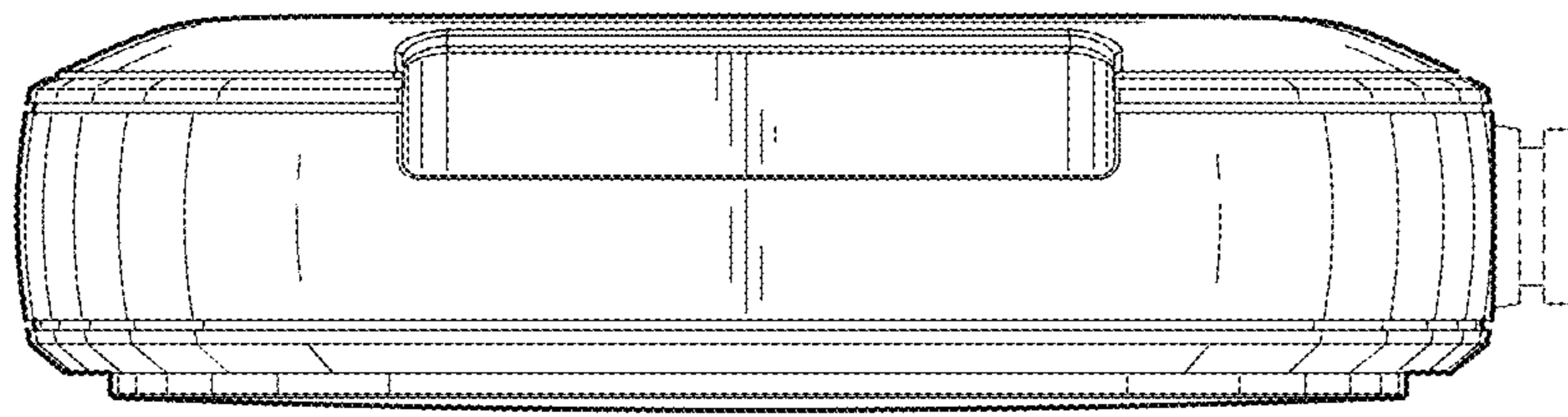


FIG. 7

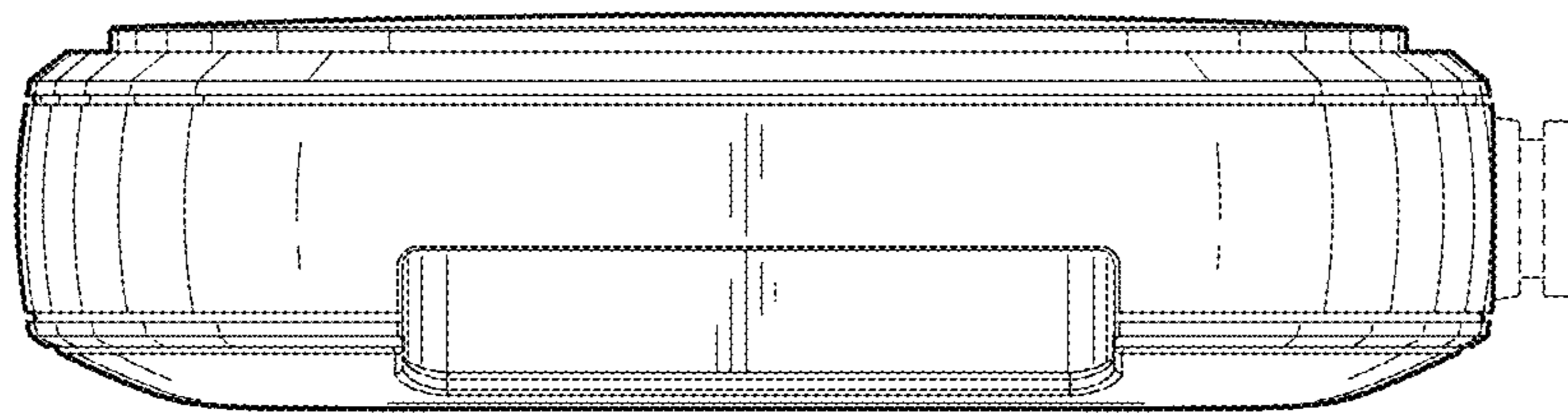


FIG. 8

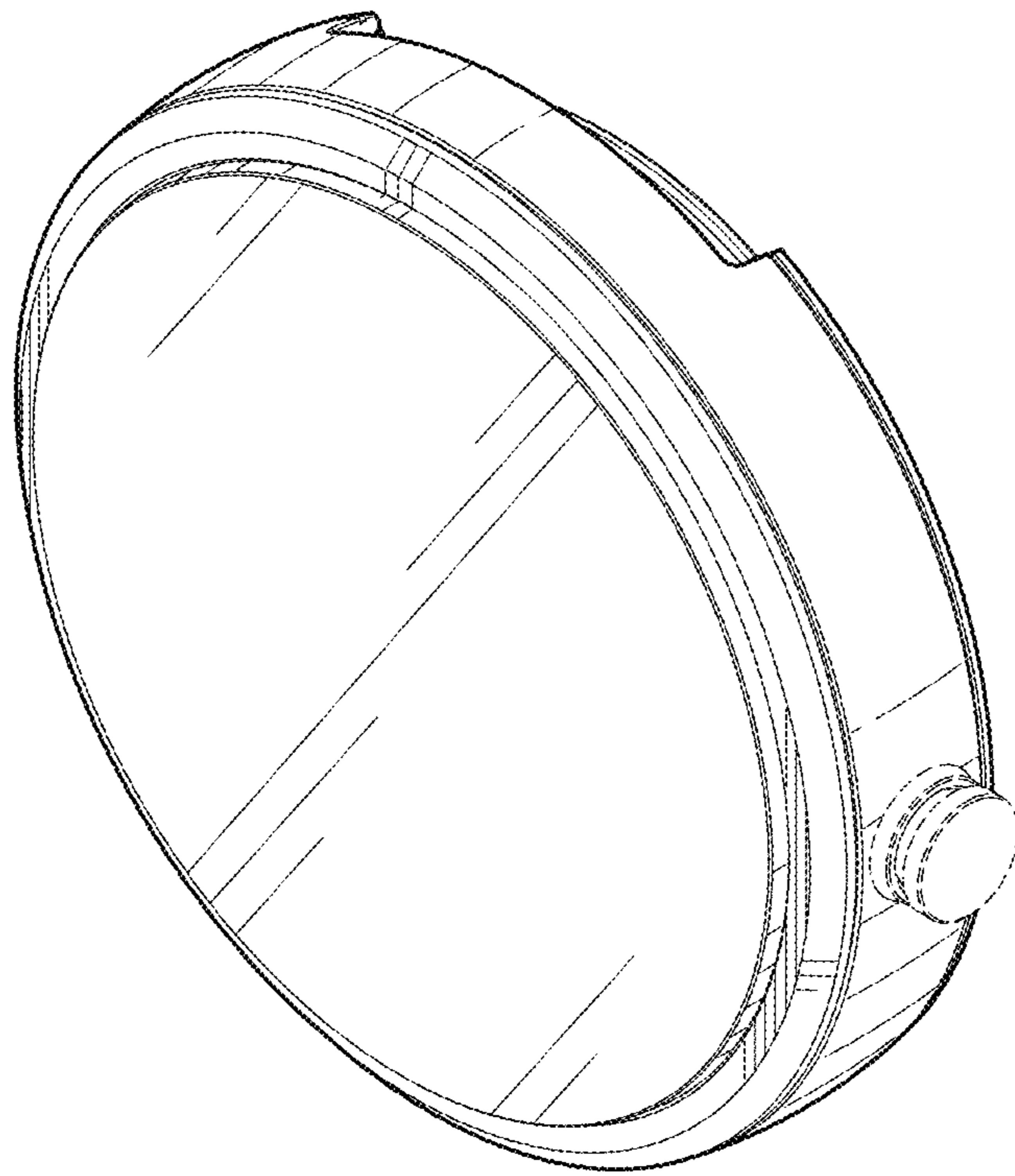


FIG. 9

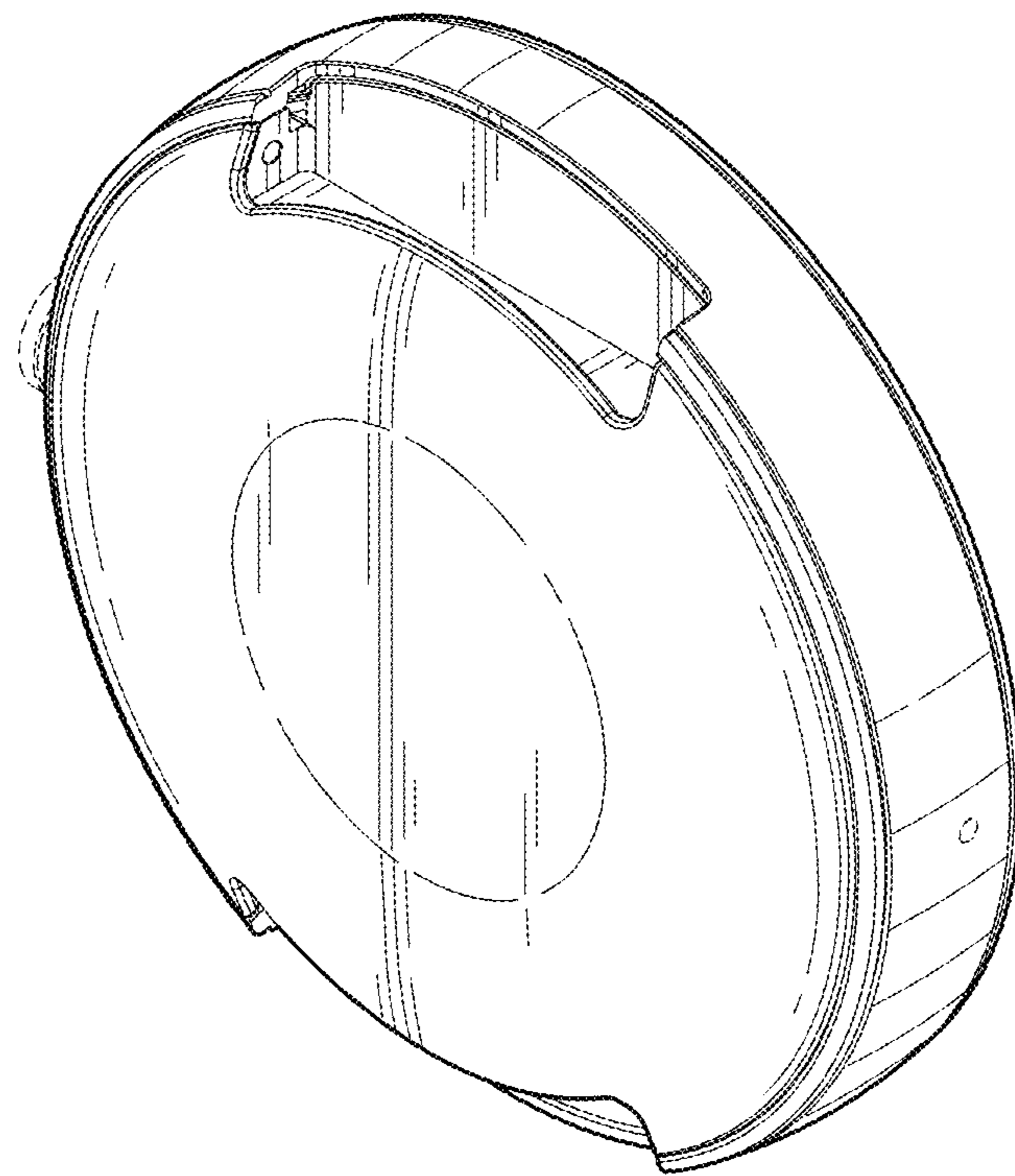


FIG. 10

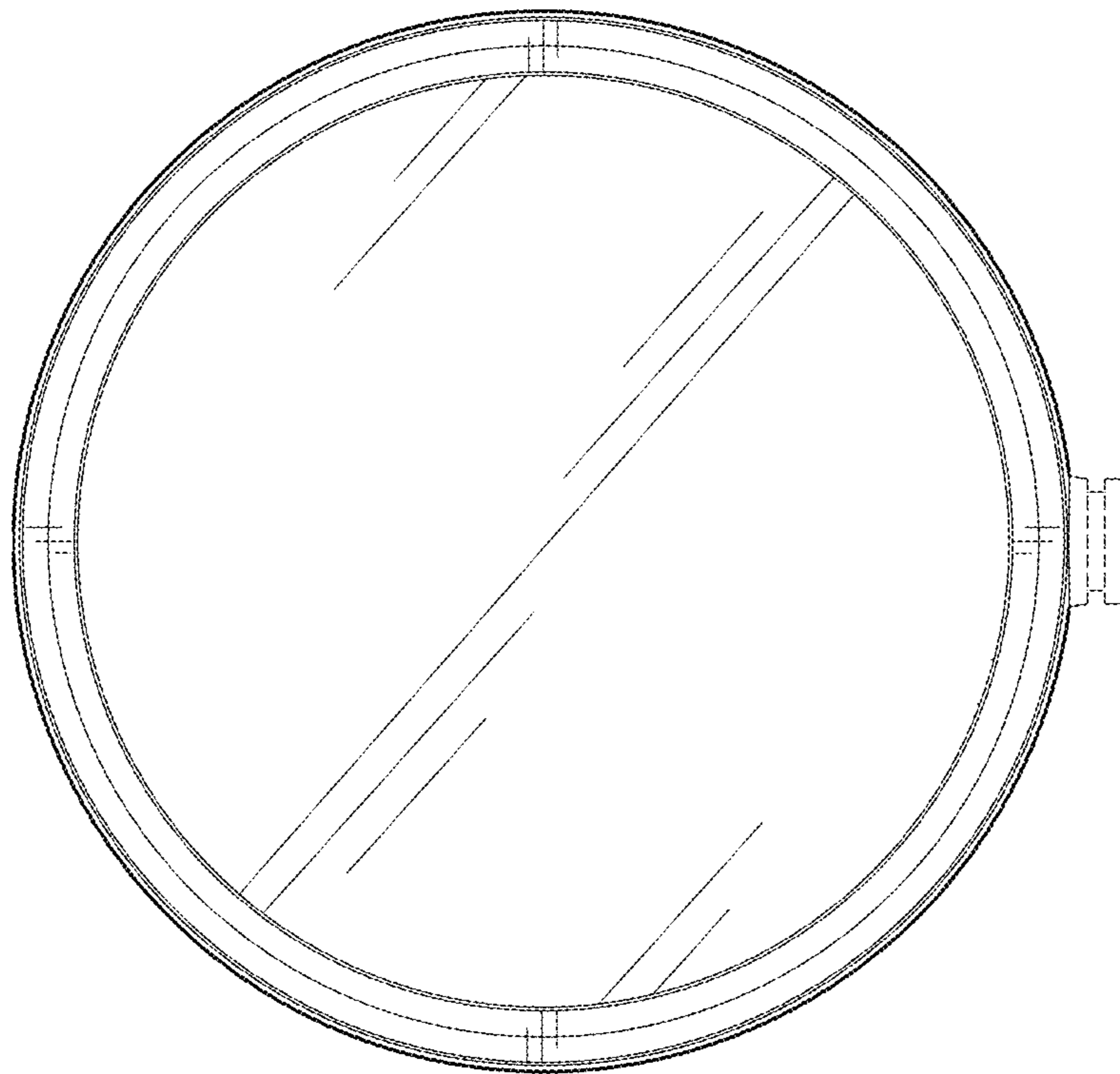


FIG. 11

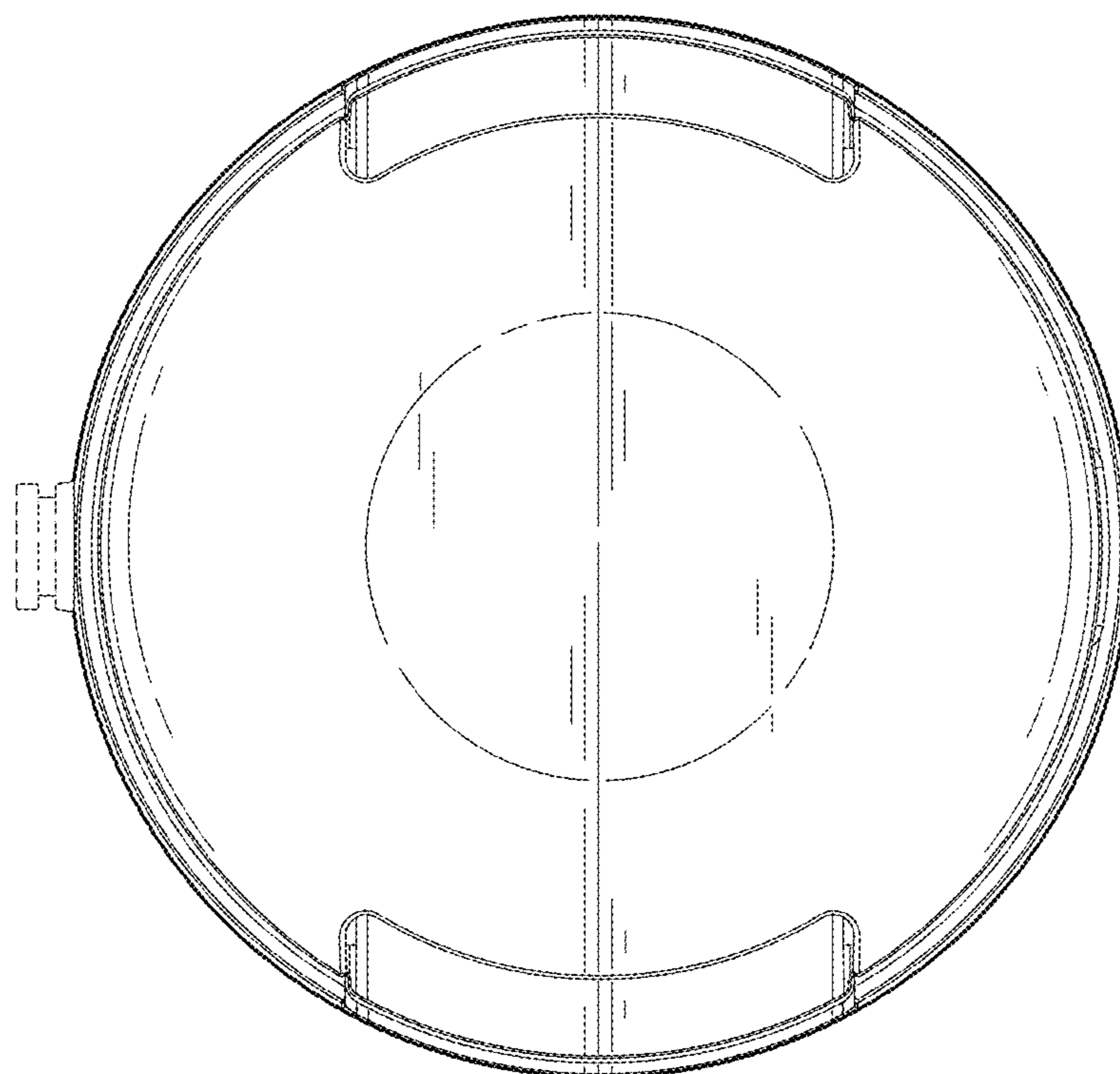


FIG. 12

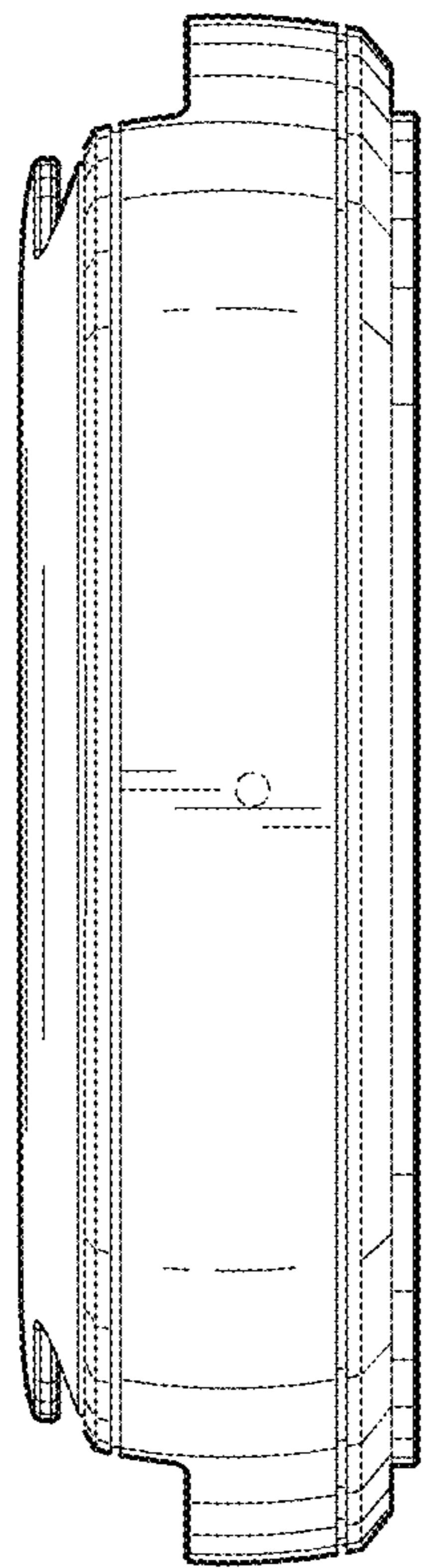


FIG. 13

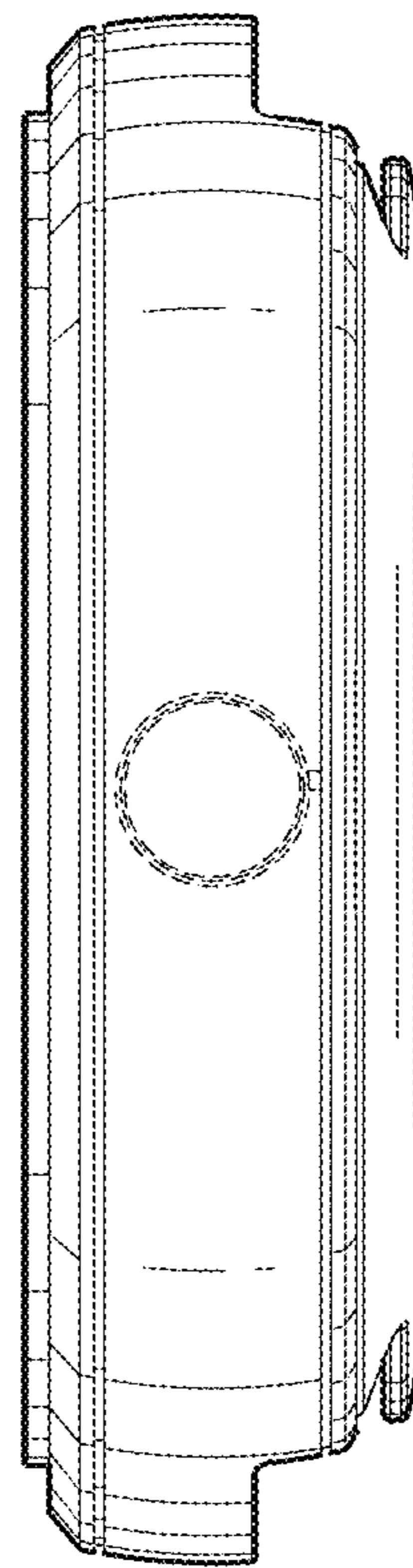


FIG. 14

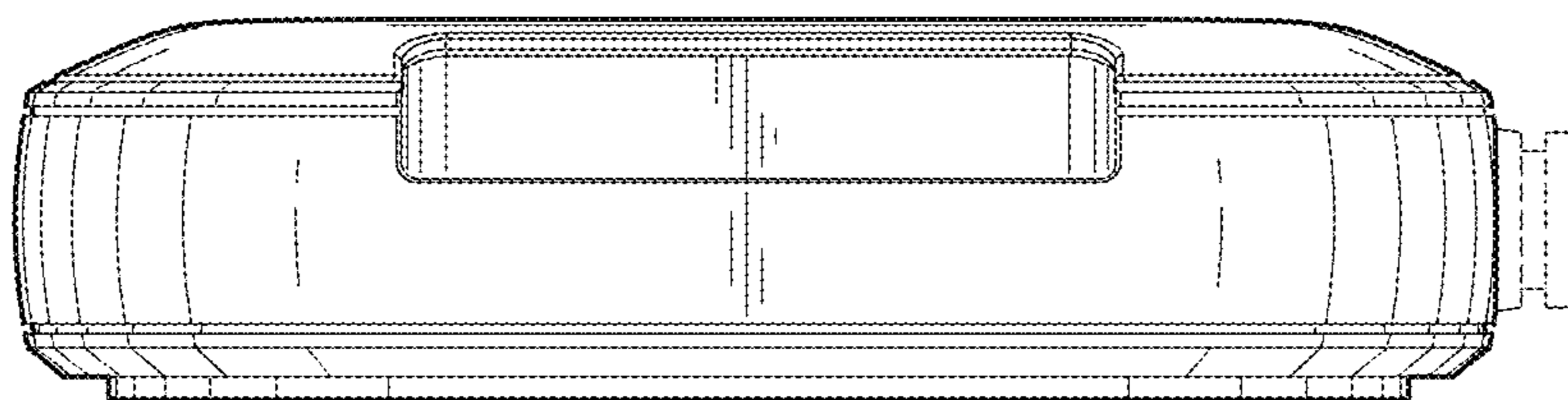


FIG. 15

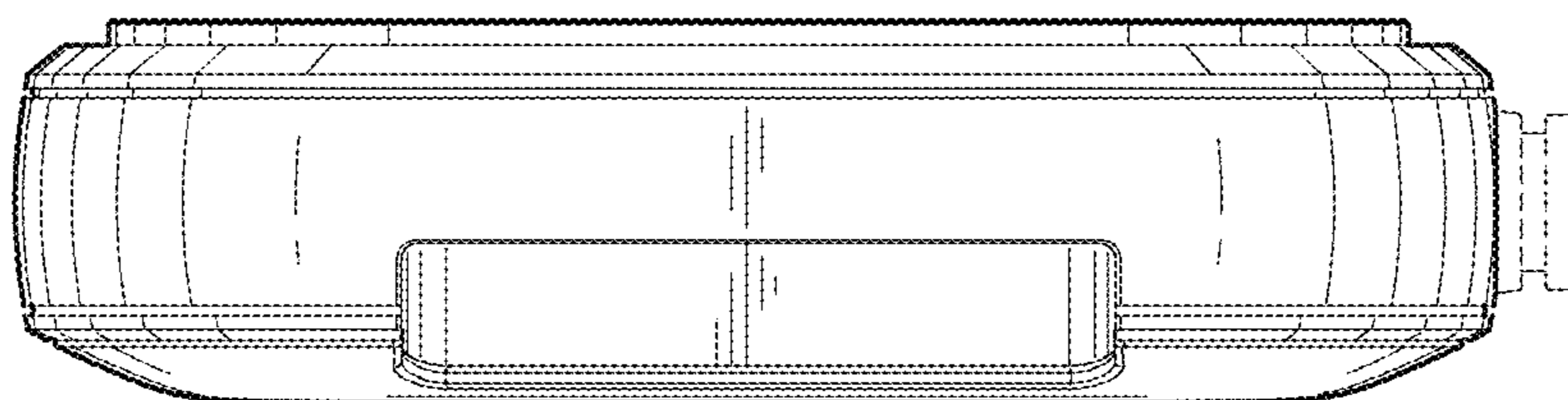


FIG. 16