

US00D769866S

(12) **United States Design Patent** (10) **Patent No.:** **US D769,866 S**  
**Amit et al.** (45) **Date of Patent:** **\*\* Oct. 25, 2016**

(54) **HANDHELD DEVICE**  
(71) Applicant: **Google Inc.**, Mountain View, CA (US)  
(72) Inventors: **Gadi Amit**, San Mateo, CA (US);  
**Daniel J. Clifton**, San Francisco, CA  
(US); **Paul Eremenko**, Sunnyvale, CA  
(US); **Inbal Etgar**, San Francisco, CA  
(US); **Susan Elizabeth McKinney**, San  
Francisco, CA (US)  
(73) Assignee: **Google Inc.**, Mountain View, CA (US)  
(\*\*) Term: **14 Years**  
(21) Appl. No.: **29/495,483**  
(22) Filed: **Jul. 1, 2014**  
(51) **LOC (10) Cl.** ..... **14-02**  
(52) **U.S. Cl.**  
USPC ..... **D14/341; D14/250**  
(58) **Field of Classification Search**  
USPC ..... D14/341, 496, 138 AA, 138 R, 138 C,  
D14/383, 250, 218; 345/173; 455/575.1  
CPC ..... H04M 1/00  
See application file for complete search history.

(56) **References Cited**  
U.S. PATENT DOCUMENTS  
D236,492 S \* 8/1975 Helgesson ..... D13/103  
D289,873 S \* 5/1987 Gemmell ..... D14/374  
D323,503 S \* 1/1992 Yoneyama ..... D14/138 AA  
D338,656 S \* 8/1993 Spayde ..... D14/341  
D346,580 S \* 5/1994 Tattari ..... D13/103  
D349,681 S \* 8/1994 Siddoway ..... D13/103  
D357,896 S \* 5/1995 Berry ..... D13/103  
5,859,628 A \* 1/1999 Ross ..... B60R 16/0315  
340/990  
D514,123 S \* 1/2006 Naruki ..... D14/203.3

D535,631 S \* 1/2007 Millora ..... D14/126  
D557,673 S \* 12/2007 Lee ..... D14/138 AA  
D558,197 S \* 12/2007 Forester ..... D14/341  
D560,686 S \* 1/2008 Kim ..... D14/496  
D561,783 S \* 2/2008 Schmelling ..... D14/496  
D567,819 S \* 4/2008 Devericks ..... D14/496  
D573,565 S \* 7/2008 Edwards ..... D14/138 AA  
D580,387 S \* 11/2008 Andre ..... D14/138 G  
D592,646 S \* 5/2009 Sun ..... D14/218  
D594,030 S \* 6/2009 Rayn ..... D14/496  
D602,014 S \* 10/2009 Andre ..... D14/341  
D606,061 S \* 12/2009 Chen ..... D14/248  
D606,986 S \* 12/2009 de Jong ..... D14/250  
D607,427 S \* 1/2010 Ho ..... D14/138 AA  
D620,919 S \* 8/2010 Lee ..... D14/203.3  
D627,344 S \* 11/2010 Chien ..... D14/138 G  
D629,799 S \* 12/2010 Andre ..... D14/341

(Continued)

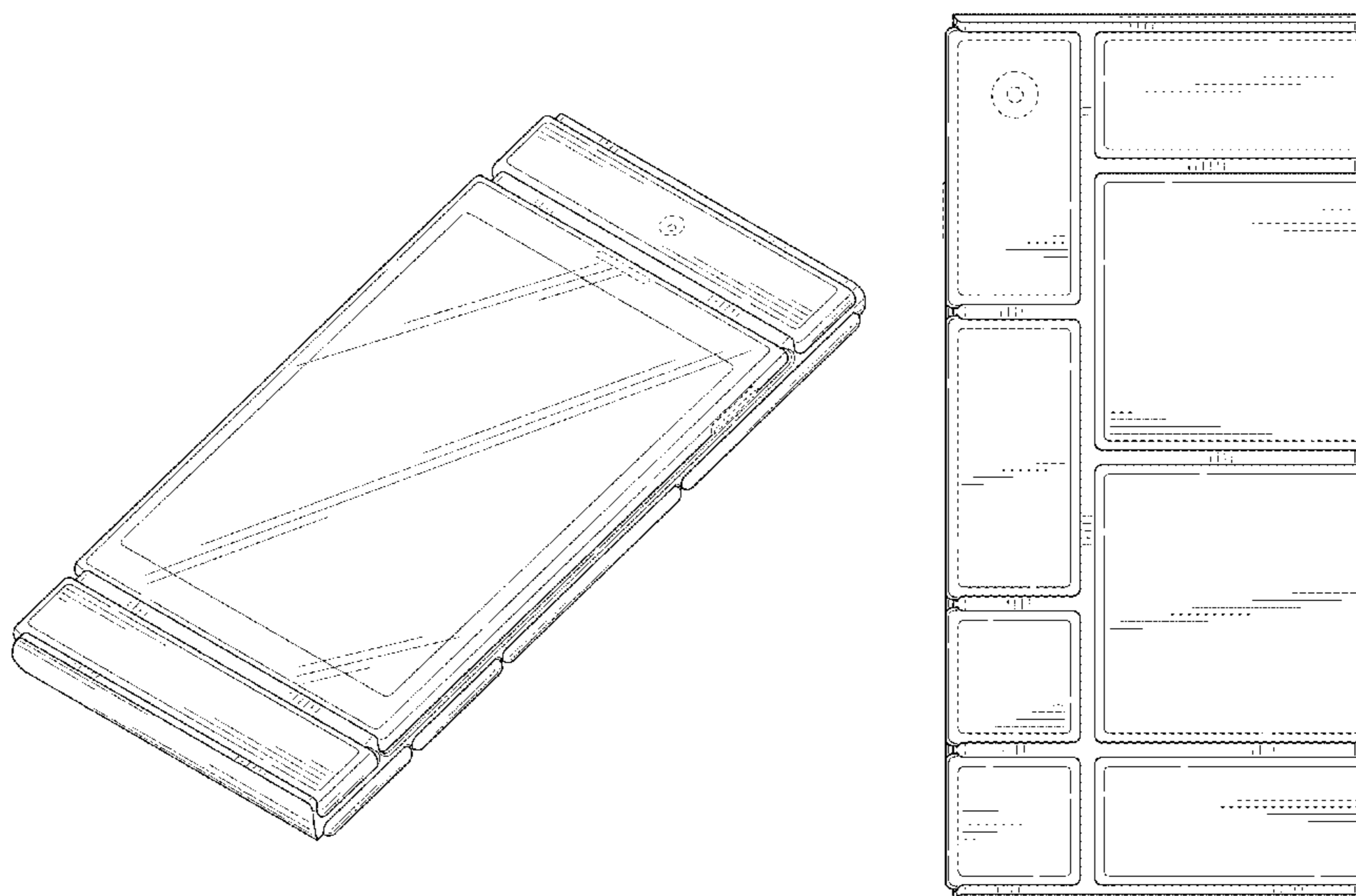
*Primary Examiner* — Paula Greene  
(74) *Attorney, Agent, or Firm* — Fish & Richardson P.C.

(57) **CLAIM**  
The ornamental design for a handheld device, substantially  
as shown and described.

**DESCRIPTION**

FIG. 1 is a perspective front view of a first embodiment of  
a handheld device.  
FIG. 2 is a front view of the embodiment of FIG. 1.  
FIG. 3 is a rear view of the embodiment of FIG. 1.  
FIG. 4 is a right side view of the embodiment of FIG. 1.  
FIG. 5 is a left side view of the embodiment of FIG. 1.  
FIG. 6 is a top view of the embodiment of FIG. 1.  
FIG. 7 is a bottom view of the embodiment of FIG. 1; and,  
FIG. 8 is a perspective front view of a second embodiment  
of a handheld device.  
The broken lines in each figure illustrate graphical environ-  
mental features that form no part of the claimed design.

**1 Claim, 4 Drawing Sheets**



(56)

**References Cited**

U.S. PATENT DOCUMENTS

D634,313 S *	3/2011	Fitzpatrick	.....	D14/250	D656,494 S *	3/2012	Bau	.....	D14/250
D634,394 S *	3/2011	Whitman	.....	D23/201	D662,932 S *	7/2012	Park	.....	D14/341
7,899,504 B2 *	3/2011	Impio	.....	H04M 1/0247 455/550.1	8,245,843 B1 *	8/2012	Wu	.....	H01M 10/465 150/165
D635,536 S *	4/2011	Xiao	.....	D14/138 AA	D674,801 S *	1/2013	Wharram	.....	D13/102
D638,015 S *	5/2011	Chong	.....	D14/336	D685,776 S *	7/2013	Bau	.....	D14/250
D641,333 S *	7/2011	Lee	.....	D14/138 AA	D698,341 S *	1/2014	Lee	.....	D14/248
D641,346 S *	7/2011	Fathollahi	.....	D14/250	D714,784 S *	10/2014	Park	.....	D14/341
D654,931 S *	2/2012	Lemelman	.....	D14/496	D719,145 S *	12/2014	Barfoot	.....	D14/250
D655,699 S *	3/2012	Bau	.....	D14/250	D726,169 S *	4/2015	Powell	.....	D14/250
					2010/0089779 A1 *	4/2010	Bowers	.....	A45C 7/0095 206/320

\* cited by examiner

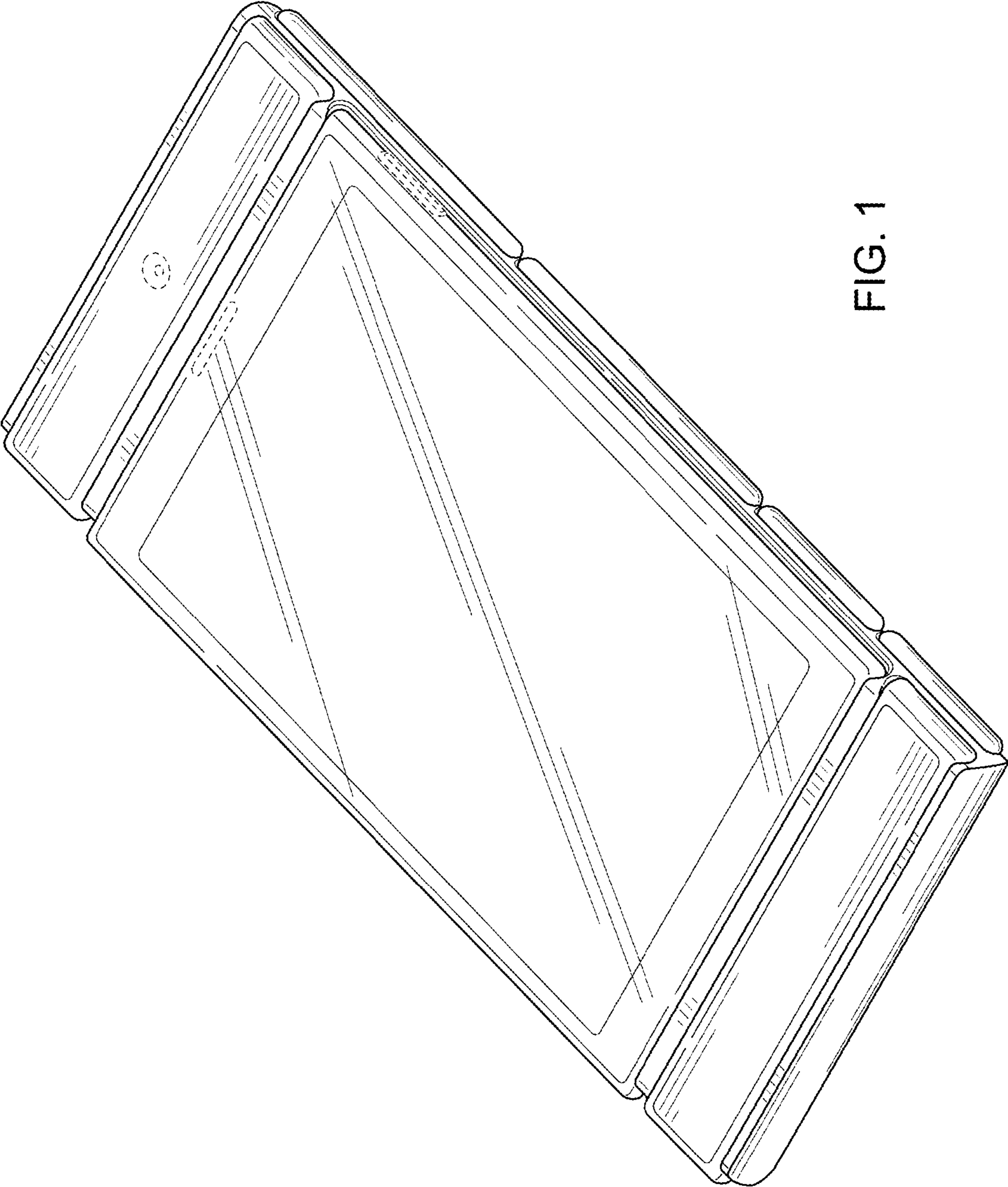


FIG. 1

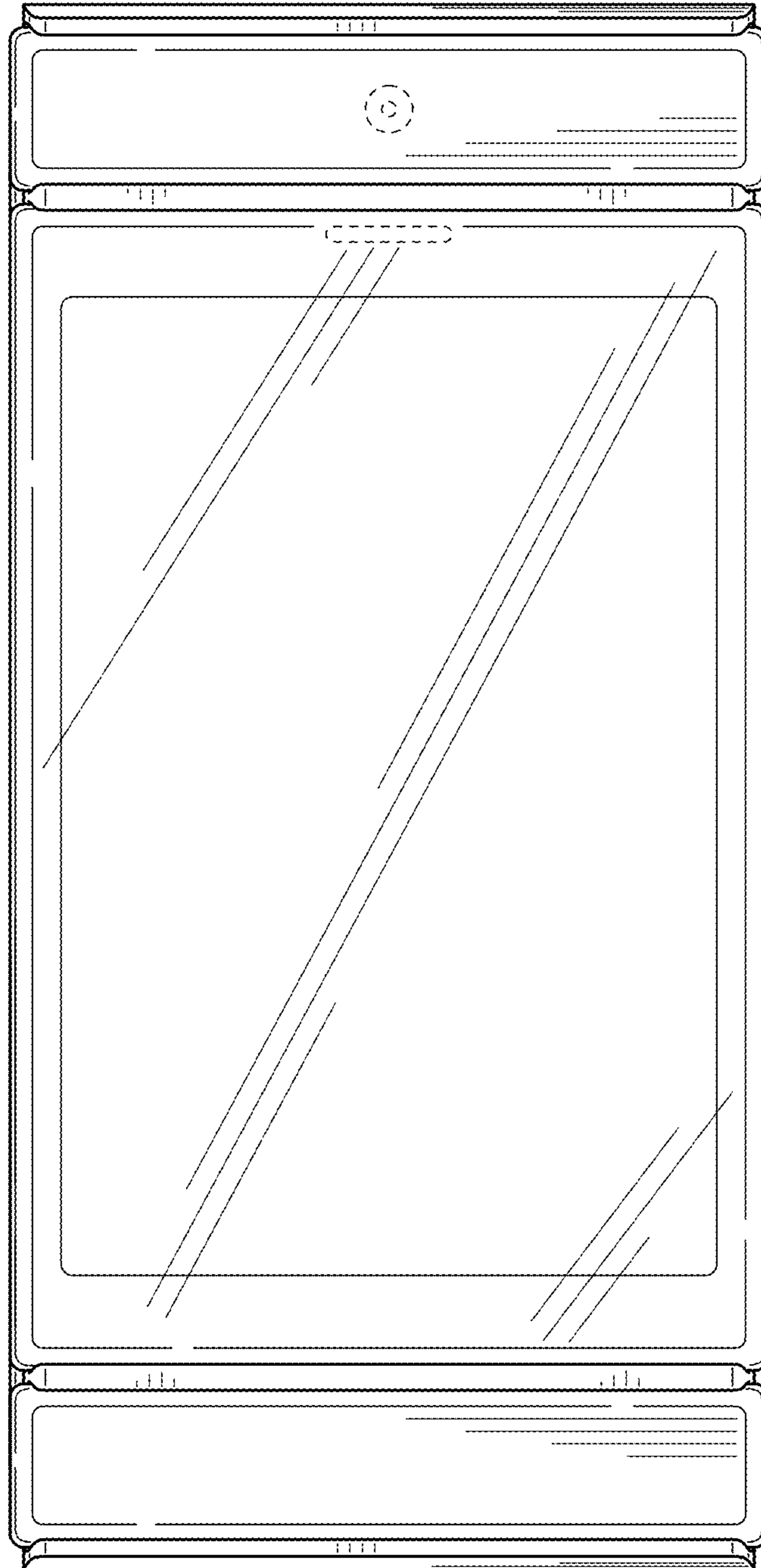


FIG. 2



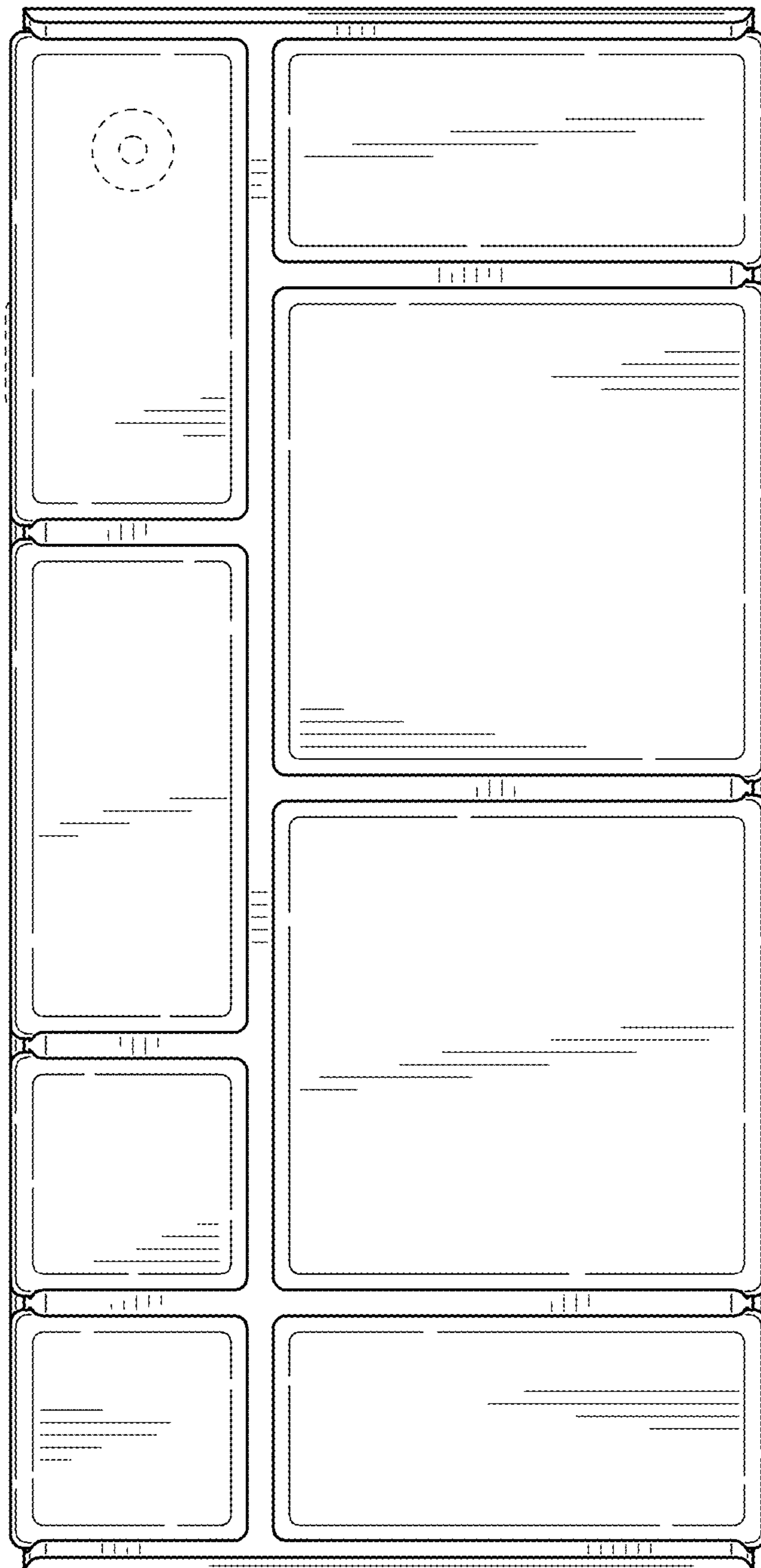


FIG. 3

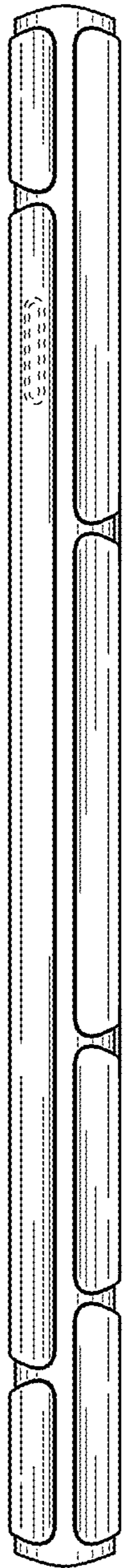


FIG. 4

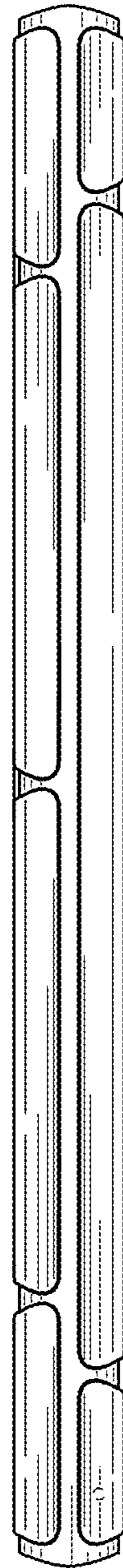


FIG. 5

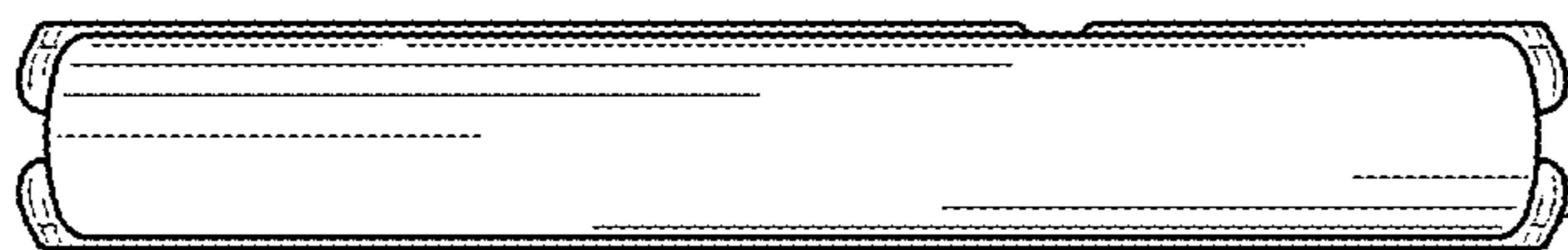


FIG. 6

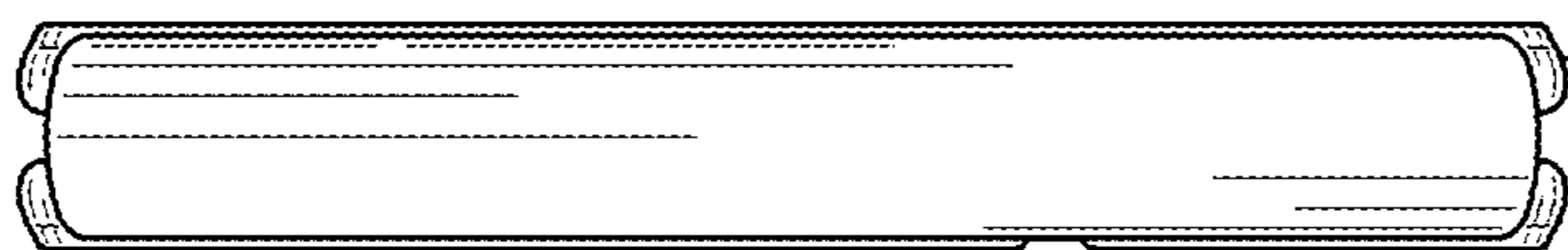


FIG. 7