

US00D769865S

(12) **United States Design Patent** (10) **Patent No.:** **US D769,865 S**
Oakley (45) **Date of Patent:** **** Oct. 25, 2016**

(54) **PORTABLE ALL-IN-ONE PERSONAL COMPUTER**

(71) Applicant: **Nicholas W. Oakley**, Portland, OR (US)

(72) Inventor: **Nicholas W. Oakley**, Portland, OR (US)

(73) Assignee: **Intel Corporation**, Santa Clara, CA (US)

(**) Term: **14 Years**

(21) Appl. No.: **29/477,890**

(22) Filed: **Dec. 27, 2013**

(51) **LOC (10) Cl.** **14-02**

(52) **U.S. Cl.**
USPC **D14/341**; D14/336

(58) **Field of Classification Search**

USPC D14/315-318, 341-344, 129, 130, 496, D14/137, 138 R, 138 AA, 138 C, 138 G, D14/138 AB, 147, 203.1, 203.3, 203.4, D14/203.7, 247, 389, 324, 310-312, 432, D14/439, 447, 448, 451, 452, 336; D6/300-302, 308, 310, 312, 332; D18/6, 7; D21/324, 329, 330, 332, D21/478-480, 484, 491, 492, 500-502; 455/556.2, 566; 379/916, 433.04, 379/433.1; 345/901, 905, 173; 361/679.26, 361/679.3, 679.55, 679.56; D25/48.4, 58; 297/17, 16.1, 45; D20/10, 21; 52/234; 160/118; D3/276; 248/917-924
CPC F16M 2200/08; F16M 11/04; Y10S 248/917; Y10S 248/919

See application file for complete search history.

(56) **References Cited**

U.S. PATENT DOCUMENTS

6,191,940	B1 *	2/2001	Ma	361/679.23
6,975,507	B2 *	12/2005	Wang et al.	361/679.21
7,299,580	B2 *	11/2007	Wang et al.	40/719
D560,683	S *	1/2008	Lee	D14/496
D561,137	S *	2/2008	Hsiung	D14/129
D561,198	S *	2/2008	Zhang	D14/496

(Continued)

OTHER PUBLICATIONS

Microsoft Surface (engadget), available Jun. 18, 2012, [online], [site visited Jun. 12, 2015]. Available from internet, <URL: http://www.engadget.com/gallery/microsoft-surface-glamour-shots/535031/#!slide=535031.*

(Continued)

Primary Examiner — Cathron Brooks

Assistant Examiner — Teddy Falloway

(74) *Attorney, Agent, or Firm* — International IP Law Group, P.L.L.C.

(57) **CLAIM**

The ornamental design for a portable all-in-one personal computer.

DESCRIPTION

FIG. 1 is a front view of a portable all-in-one personal computer;

FIG. 2 is a rear view thereof;

FIG. 3 is a left side view thereof;

FIG. 4 is a right side view thereof;

FIG. 5 is a top view thereof;

FIG. 6 is a bottom view thereof;

FIG. 7 is a perspective bottom view thereof;

FIG. 8 is a front view of the portable all-in-one personal computer from FIG. 1, with the handle in an alternate position;

FIG. 9 is a rear view thereof;

FIG. 10 is a left side view thereof;

FIG. 11 is a right side view thereof;

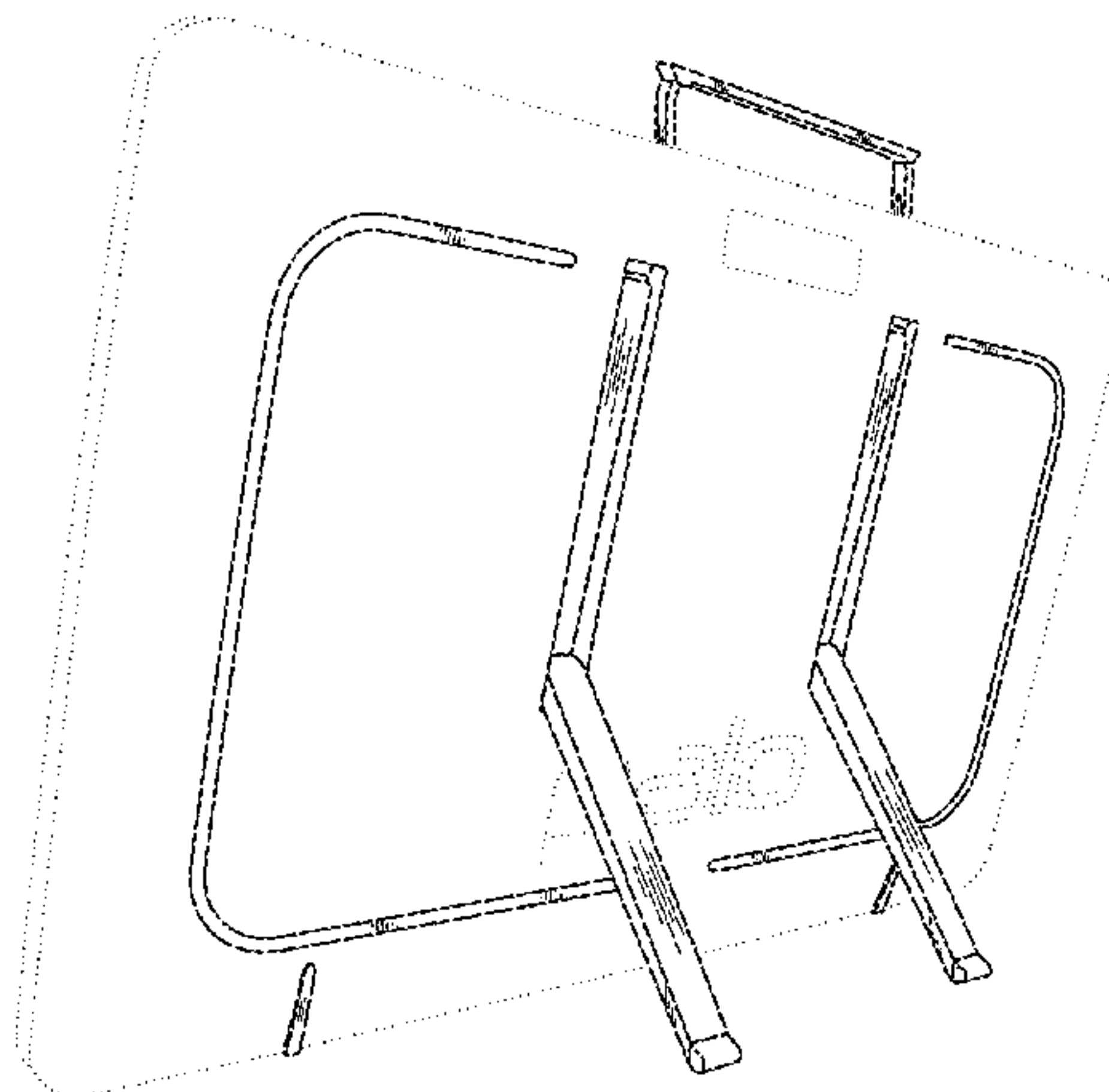
FIG. 12 is a top view thereof;

FIG. 13 is a perspective bottom view thereof; and,

FIG. 14 is a perspective rear view of thereof, with the stands in an alternate position.

The broken lines shown are included for the purpose of illustrating portions of the portable all-in-one personal computer that form no part of the claimed design.

1 Claim, 14 Drawing Sheets



(56)

References Cited

U.S. PATENT DOCUMENTS

7,681,859 B2 * 3/2010 Kim 248/688
 8,243,427 B2 * 8/2012 Fu 361/679.21
 8,243,428 B2 * 8/2012 Fu 361/679.21
 D677,265 S * 3/2013 Lu et al. D14/451
 D679,271 S * 4/2013 Liu D14/250
 D684,981 S * 6/2013 Chang et al. D14/451
 D685,378 S * 7/2013 Deng D14/447
 8,520,371 B2 * 8/2013 Peng et al. 361/679.01
 8,540,205 B2 * 9/2013 Zhang et al. 248/688
 D695,287 S * 12/2013 Chang et al. D14/315
 D695,735 S * 12/2013 Kitchen et al. D14/341
 D698,795 S * 2/2014 Chang D14/451
 D705,778 S * 5/2014 Groene et al. D14/341
 D705,785 S * 5/2014 Wang D14/447
 D706,254 S * 6/2014 Chang D14/250
 8,767,396 B2 * 7/2014 Shindo et al. 361/679.59
 8,837,130 B2 * 9/2014 Hyun et al. 361/679.05
 D719,152 S * 12/2014 Ahn et al. D14/345
 8,902,585 B2 * 12/2014 Tseng et al. 361/679.55
 8,915,477 B2 * 12/2014 Hsu et al. 248/371
 8,922,996 B2 * 12/2014 Yeh et al. 361/679.59
 8,950,725 B2 * 2/2015 Huang et al. 248/558
 D724,579 S * 3/2015 Moradian D14/341
 D728,581 S * 5/2015 Feinberg et al. D14/447
 2005/0057516 A1 * 3/2005 Ghosh et al. 345/168
 2005/0057518 A1 * 3/2005 Ghosh et al. 345/168
 2005/0057892 A1 * 3/2005 Ghosh et al. 361/680
 2006/0050471 A1 * 3/2006 Chen 361/681
 2010/0133414 A1 * 6/2010 Lee et al. 248/686

2010/0171671 A1 * 7/2010 Park 343/720
 2011/0164358 A1 * 7/2011 Duan et al. 361/679.01
 2012/0006950 A1 * 1/2012 Vandiver 248/176.3
 2012/0050970 A1 * 3/2012 Murakata et al. 361/679.01
 2014/0175253 A1 * 6/2014 Huang et al. 248/558
 2014/0185196 A1 * 7/2014 Oakley 361/679.01

OTHER PUBLICATIONS

Asus Transformer, available Jan. 15, 2013, [online], [site visited Jun. 12, 2015]. Available from internet, <URL: <http://www.gforgames.com/gadgets/asus-transformer-aio-jelly-bean-windows-8-30116/>.*

Lenovo IdeaCetre Horizon, available Jun. 3, 2013, [online], [site visited Jun. 12, 2015]. Available from internet, <URL: <http://techurchin.com/levonohorizon/>.*

P Envy Rove 20, available May 24, 2013, [online], [site visited Jun. 12, 2015]. Available from internet, <URL: <http://www.technobuffalo.com/2013/05/24/hp-announces-monster-tablet-hp-envy-rove-20/>.*

Kickstand4u, available Jul. 20, 2014, [online], [site visited Jun. 12, 2015]. Available from internet, <URL: <http://www.androidcentral.com/check-out-kickstand4u-kickstand-and-tripod-adaptor-all-your-mobile-devices>.*

HTC EVO, available Jun. 2, 2012, [online], [site visited Jun. 12, 2015]. Available from internet, <URL: http://www.phonearena.com/news/HTC-EVO-4G-LTE-officialy-launched-by-Sprint-kickstand-and-all_id30844.*

* cited by examiner

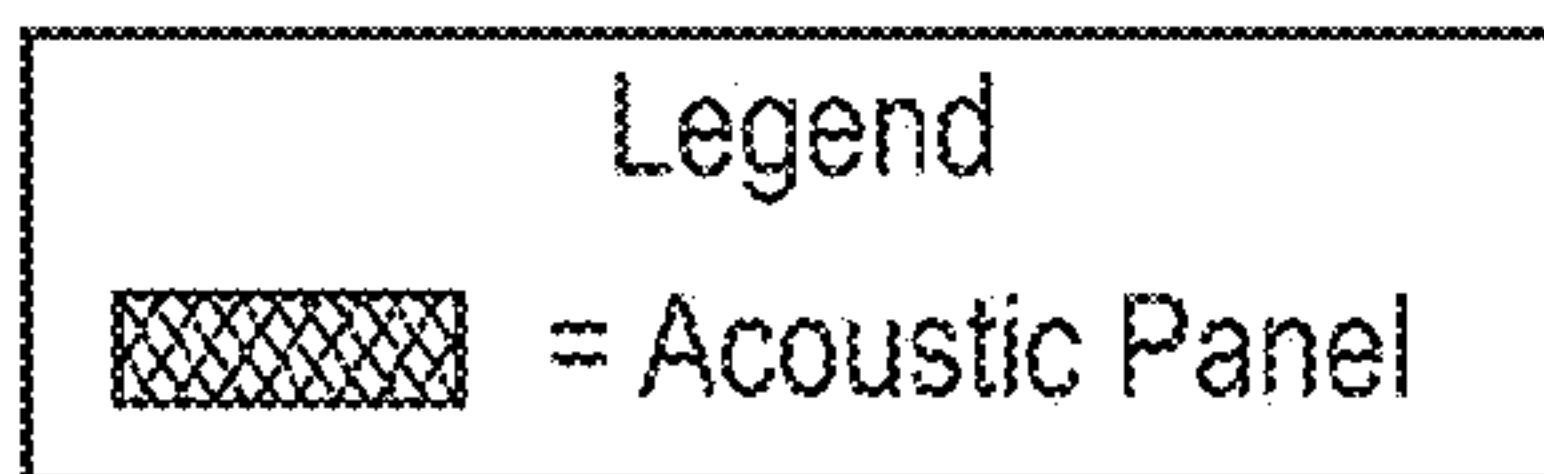
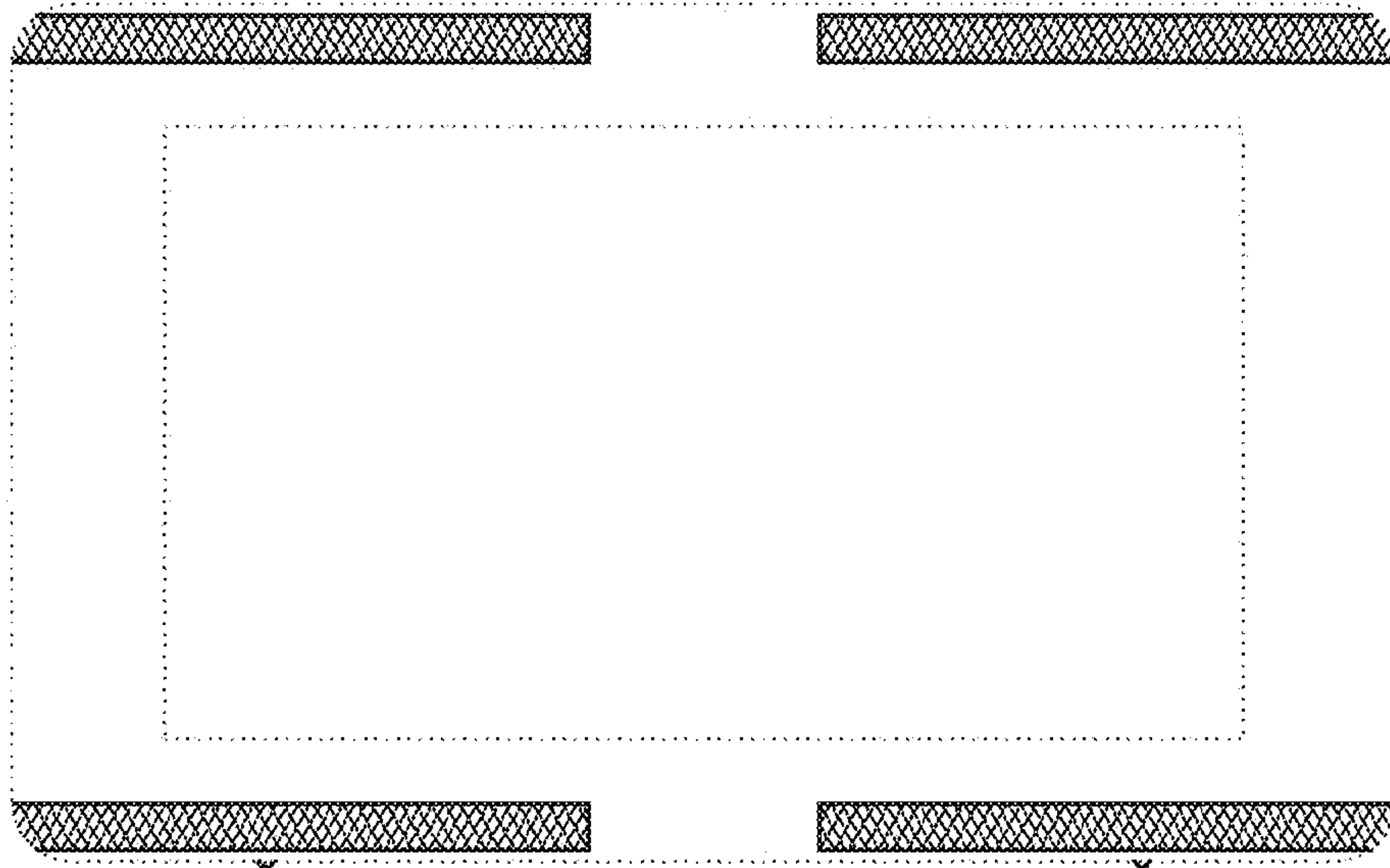


FIG. 1

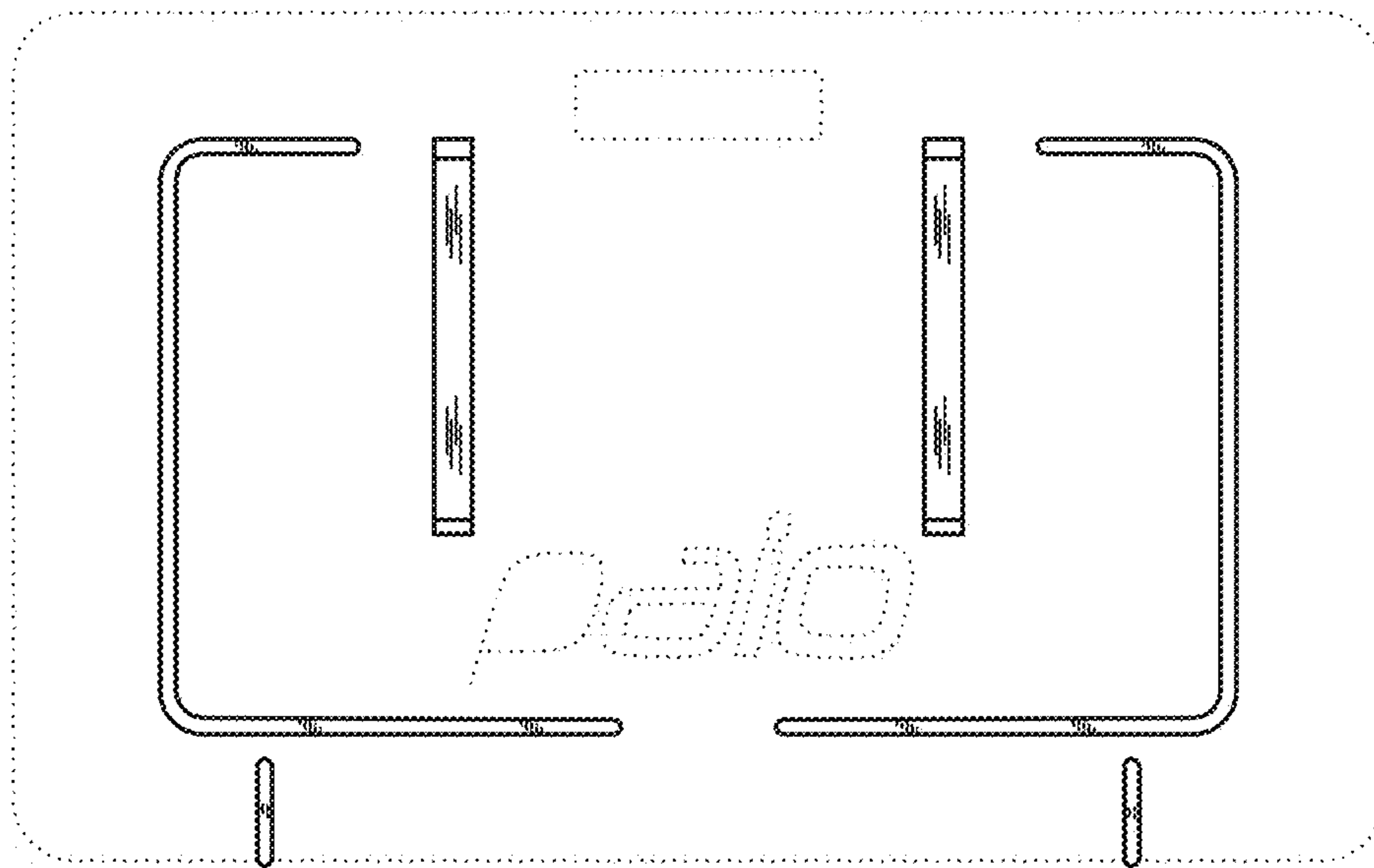


FIG. 2

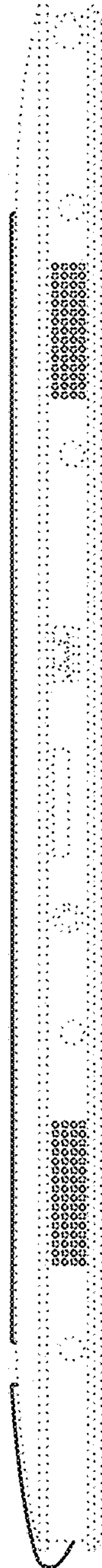


FIG. 3

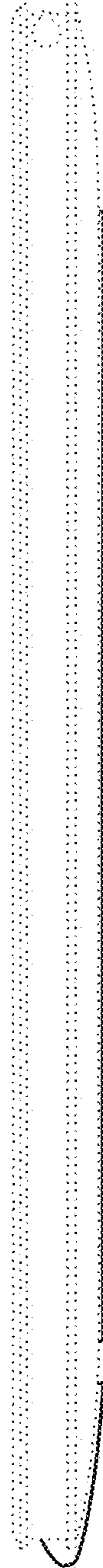


FIG. 4



FIG. 5

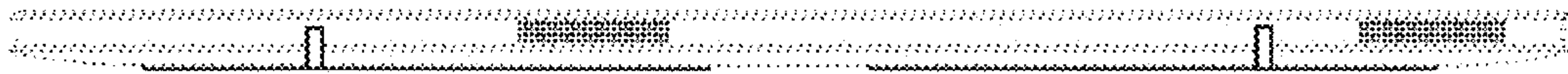


FIG. 6

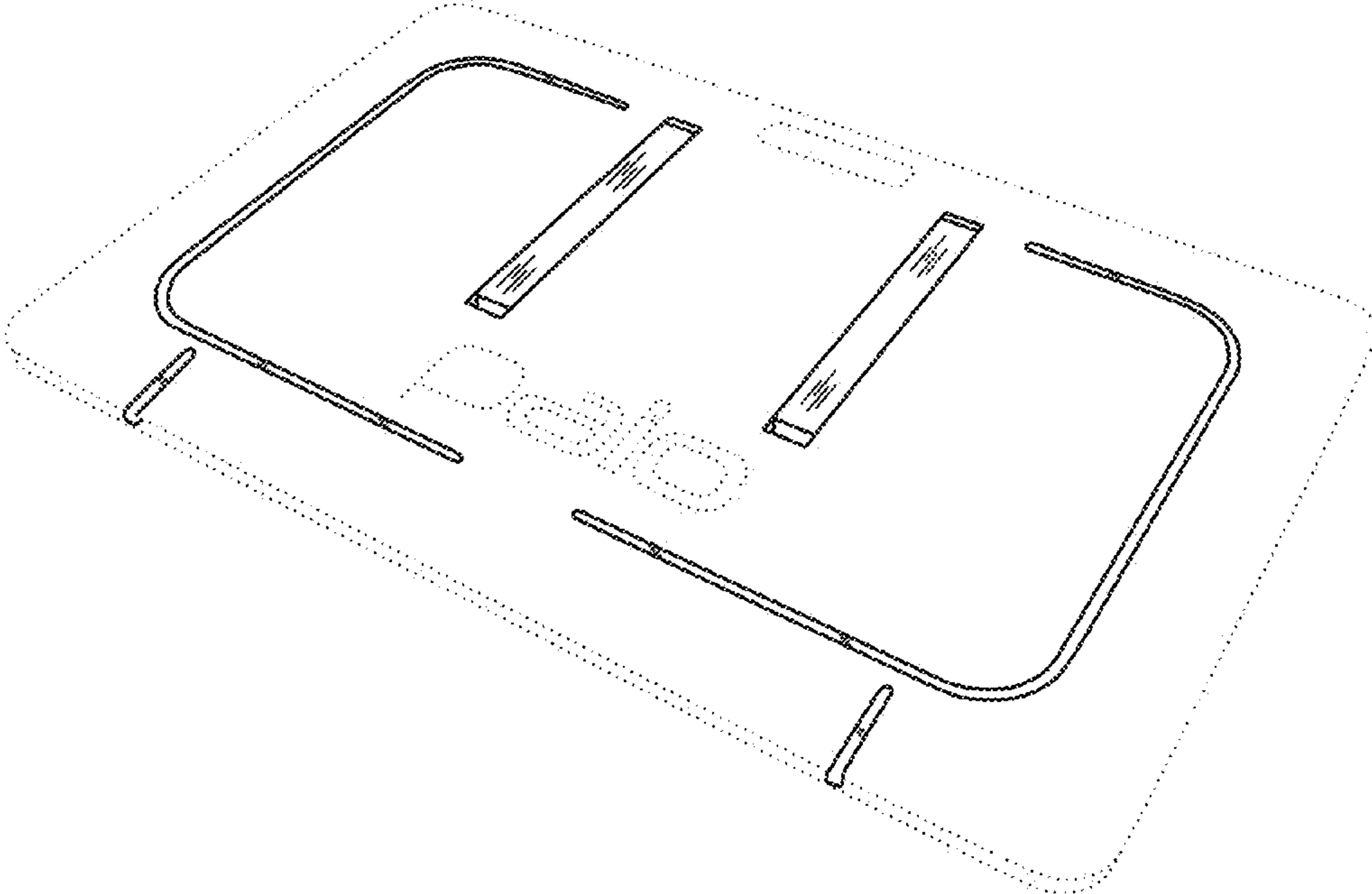


FIG. 7

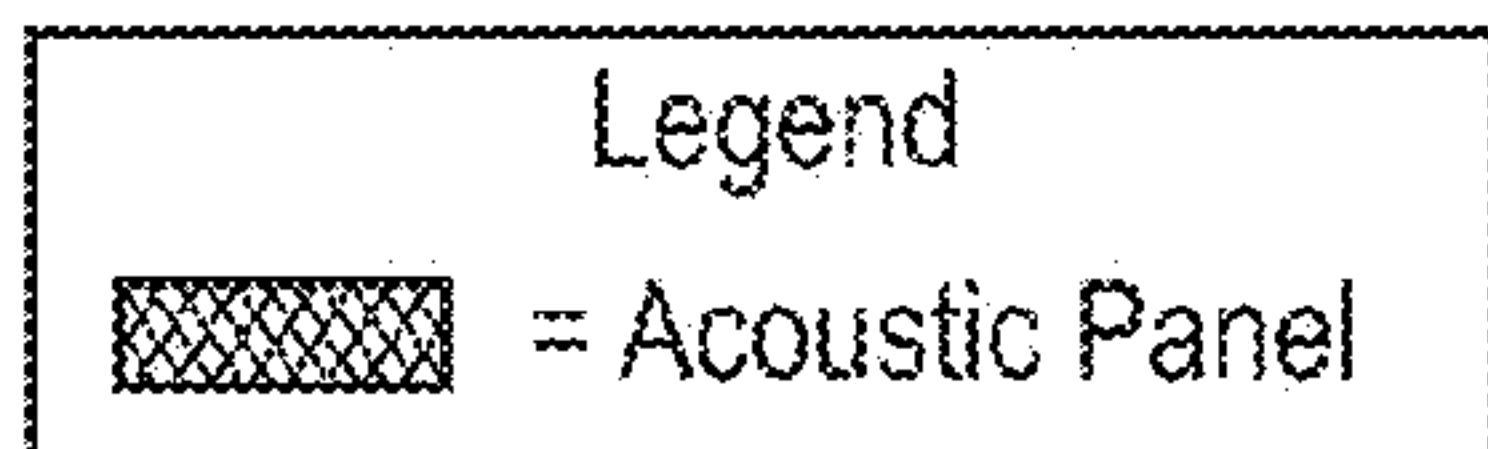
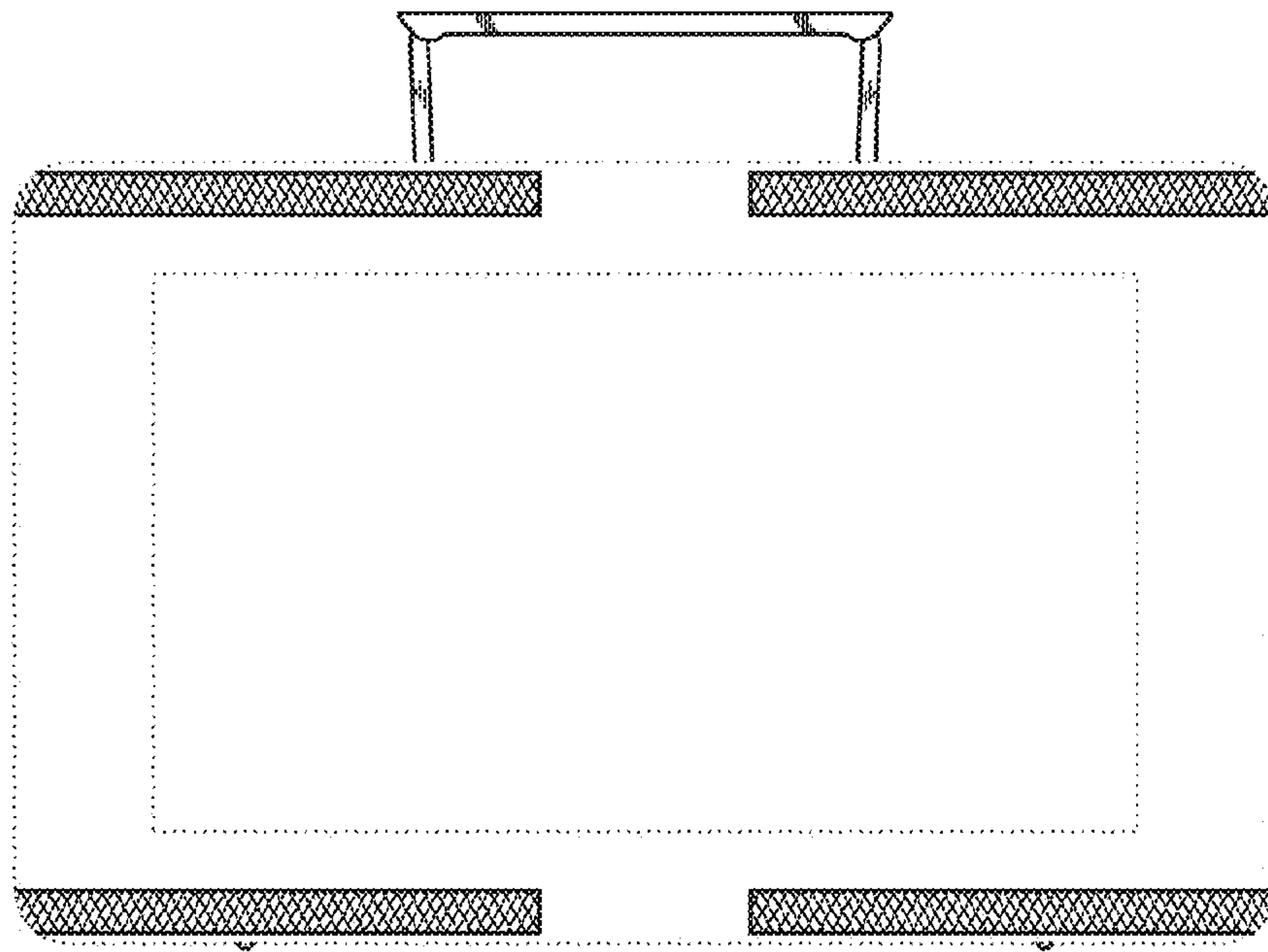


FIG. 8

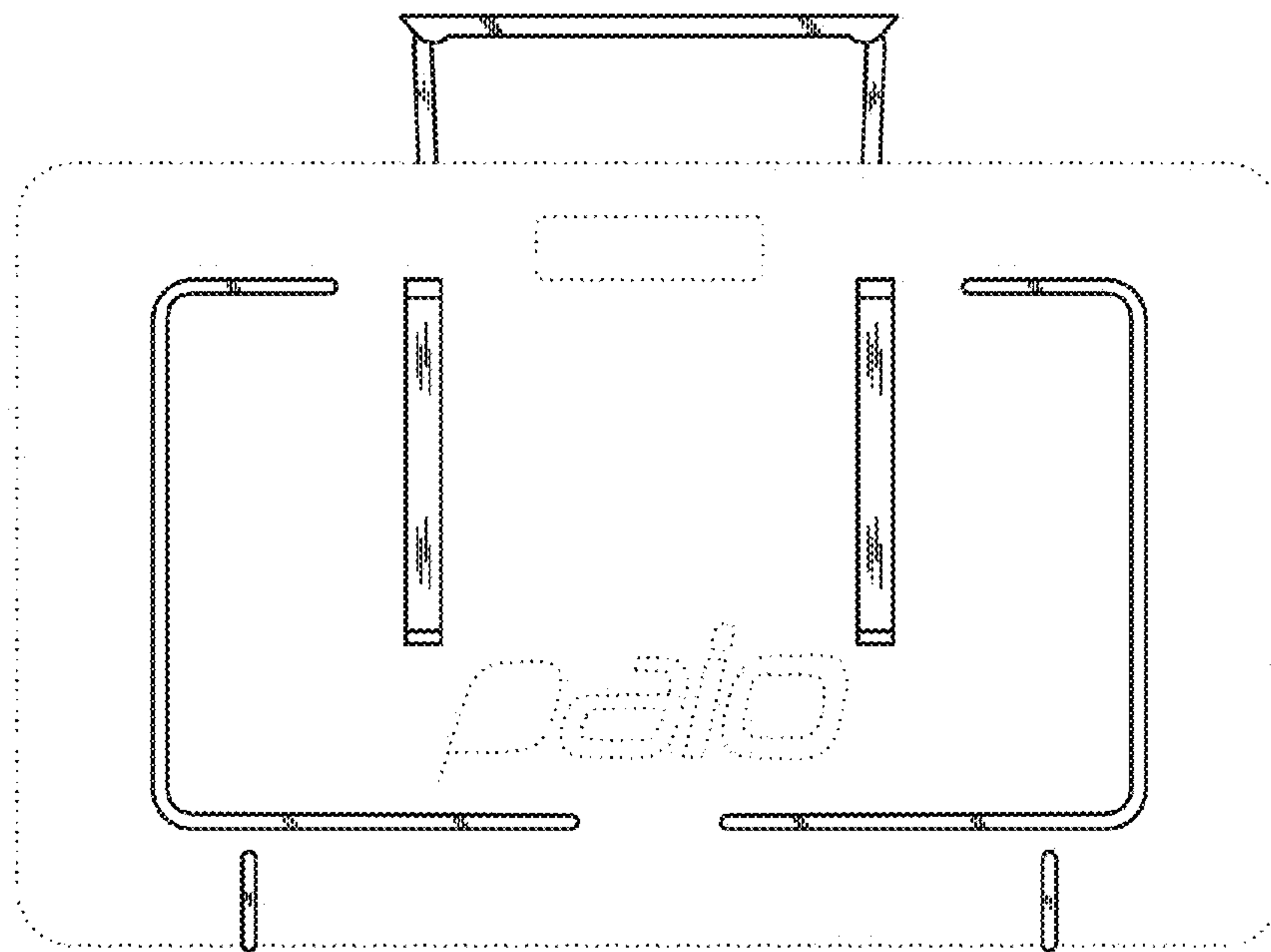


FIG. 9

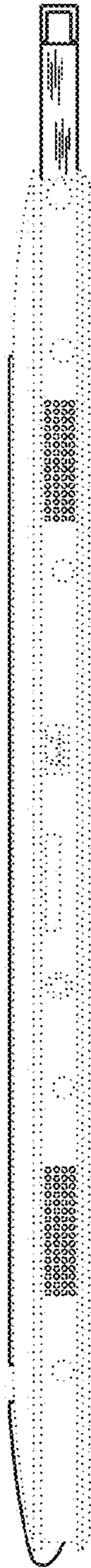


FIG. 10

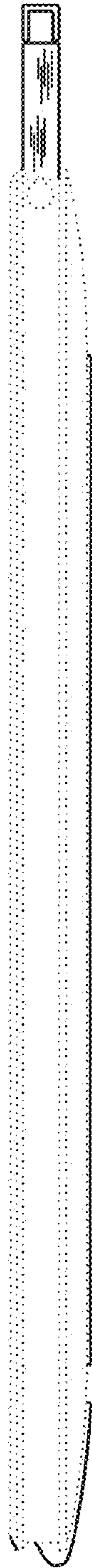


FIG. 11



FIG. 12

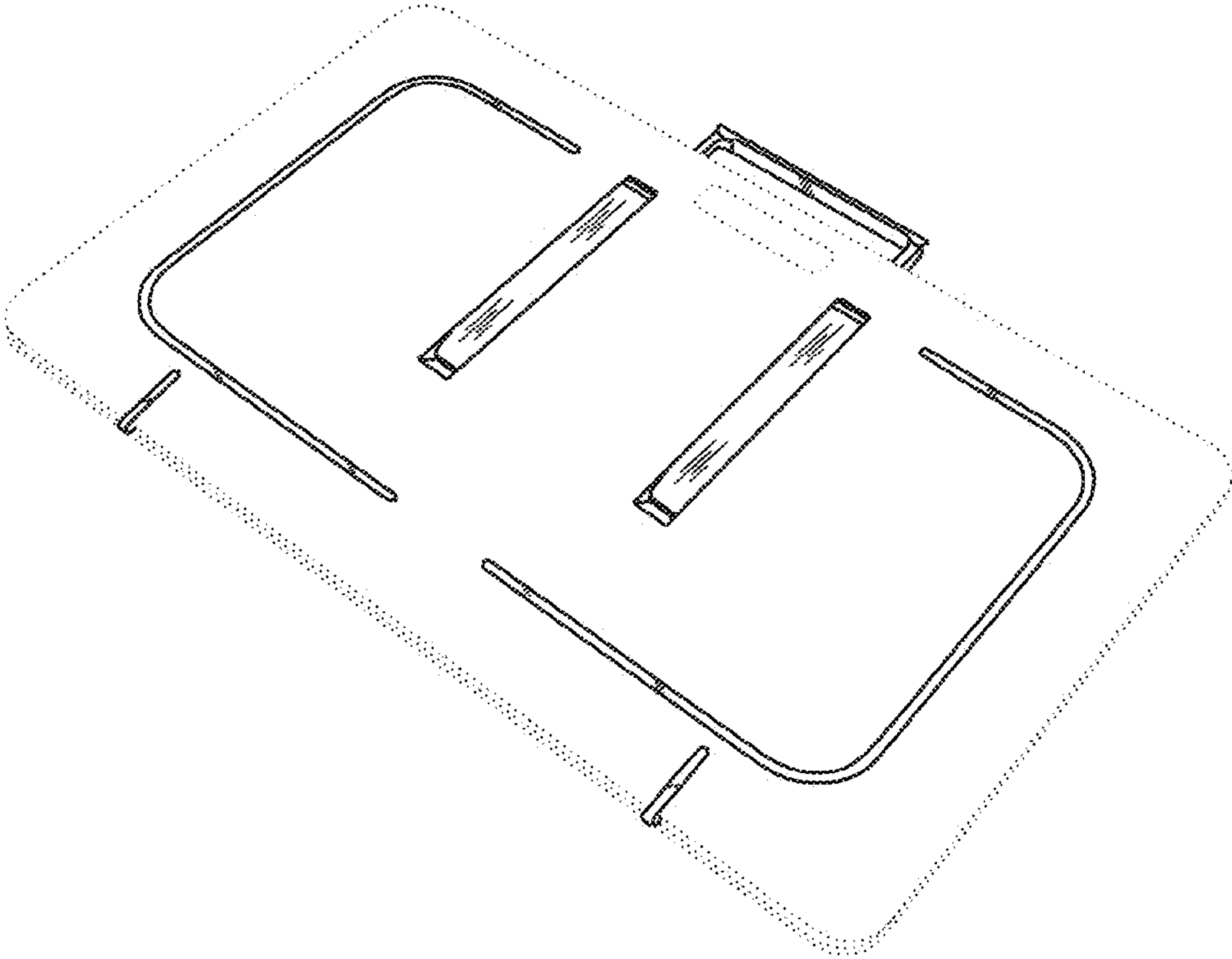


FIG. 13

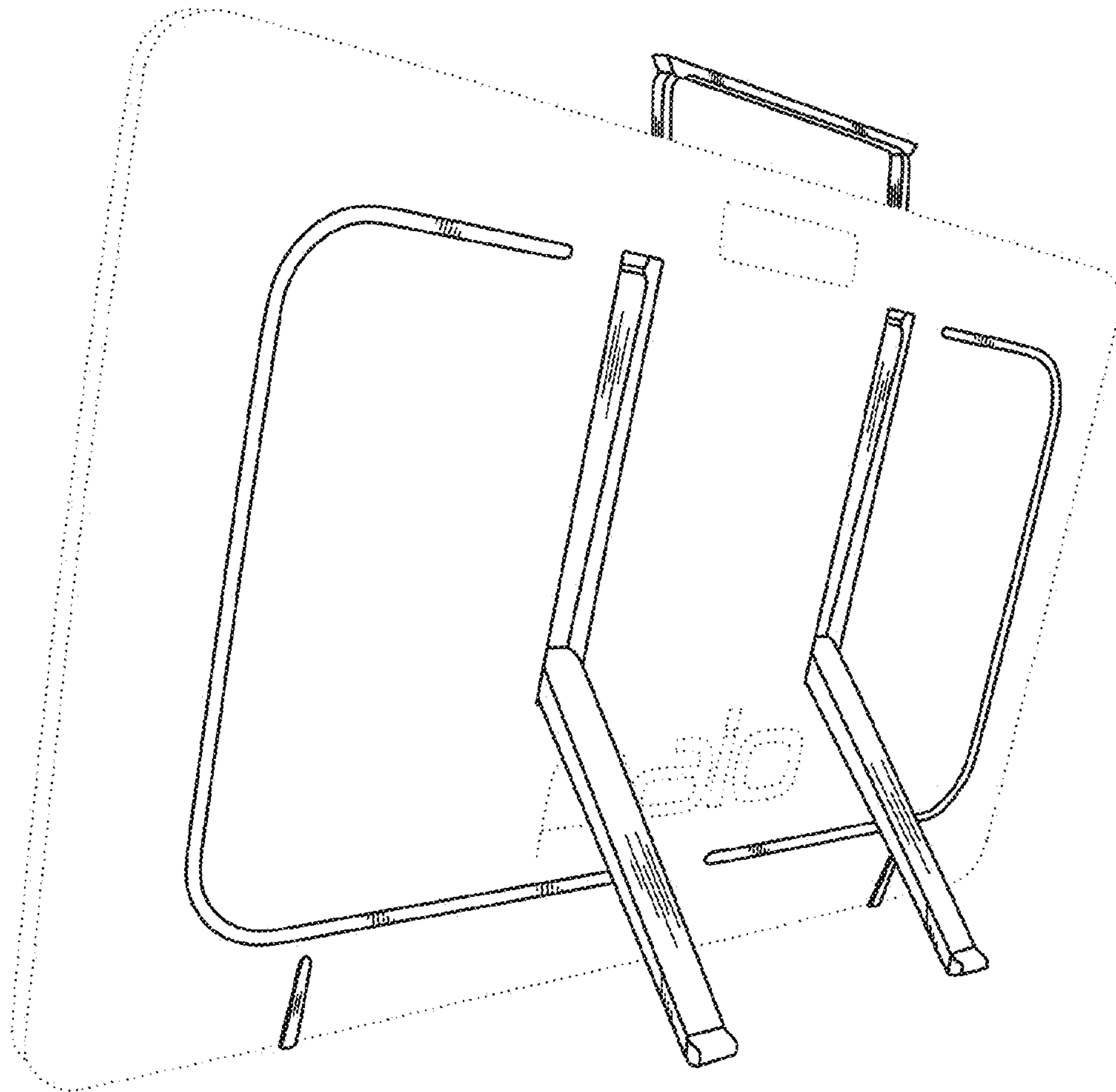


FIG. 14