

US00D769864S

(12) **United States Design Patent**
Hoffmann et al.

(10) **Patent No.:** **US D769,864 S**

(45) **Date of Patent:** **** Oct. 25, 2016**

(54) **MULTIFUNCTIONAL SELF-SERVICE
TERMINAL**

(71) Applicant: **REWE Markt GmbH**, Cologne (DE)

(72) Inventors: **Matthias Hoffmann**, Meerbusch (DE);
Michael Reuter, Oberursel (DE)

(73) Assignee: **REWE Markt GmbH**, Cologne (DE)

(**) Term: **14 Years**

(21) Appl. No.: **29/490,171**

(22) Filed: **May 7, 2014**

(30) **Foreign Application Priority Data**

Nov. 8, 2013 (EM) 1001390223

(51) **LOC (10) Cl.** **14-02**

(52) **U.S. Cl.**
USPC **D14/307**

(58) **Field of Classification Search**

USPC D14/302, 303, 304, 305, 306, 307, 900,
D14/902; D13/163, 162; 187/395, 396;
361/679.02, 679.21; D20/10; D21/332,
D21/325; D10/108

CPC G06Q 20/18; G06Q 20/10; G06Q 20/123;
G06Q 20/20; G06Q 30/02; G06Q 30/06;
A47F 9/047

See application file for complete search history.

(56) **References Cited**

U.S. PATENT DOCUMENTS

D590,387 S * 4/2009 Chen D14/307
D605,189 S * 12/2009 Kuroda D14/307

D605,190 S * 12/2009 Kuroda D14/307
D605,191 S * 12/2009 Kuroda D14/307
D625,305 S * 10/2010 Bleck D14/307
D628,742 S * 12/2010 Hsu D14/307
D661,293 S * 6/2012 Kuroda D14/307
D675,607 S * 2/2013 Ono D14/307
D676,038 S * 2/2013 Masuda D14/307
D695,285 S * 12/2013 Smith D14/307
D707,674 S * 6/2014 Daniel D14/307
D708,676 S * 7/2014 Ballman D14/307
D721,696 S * 1/2015 Birgeoglu D14/307
D723,025 S * 2/2015 Birgeoglu D14/307
D723,538 S * 3/2015 Catoe D14/307
D727,307 S * 4/2015 Kraft D14/307
D727,308 S * 4/2015 Kraft D14/307
D732,520 S * 6/2015 Themann D14/307
D732,522 S * 6/2015 Chadbourne D14/307
D734,315 S * 7/2015 Masuda D14/307
D734,316 S * 7/2015 Alvarez D14/307

* cited by examiner

Primary Examiner — Austin Murphy

(74) *Attorney, Agent, or Firm* — Plumsea Law Group,
LLC

(57) **CLAIM**

The ornamental design for a multifunctional self-service terminal, as shown and described.

DESCRIPTION

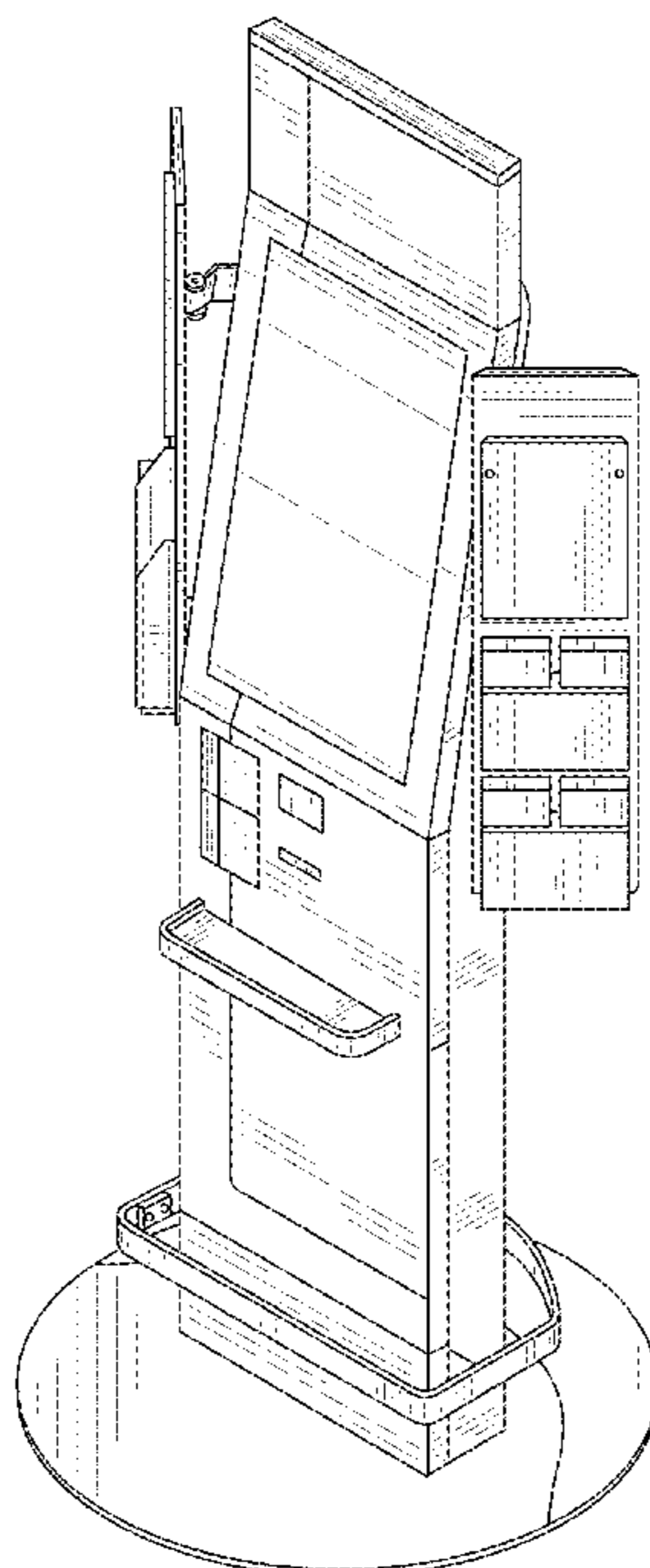
FIG. 1 is a perspective view of a multifunctional self-service terminal showing our new design;

FIG. 2 is a front elevational view of the terminal of FIG. 1;

FIG. 3 is a perspective view of a second embodiment of a multifunctional self-service terminal showing our new design; and,

FIG. 4 is a rear elevational view of the terminal of FIG. 3.

1 Claim, 4 Drawing Sheets



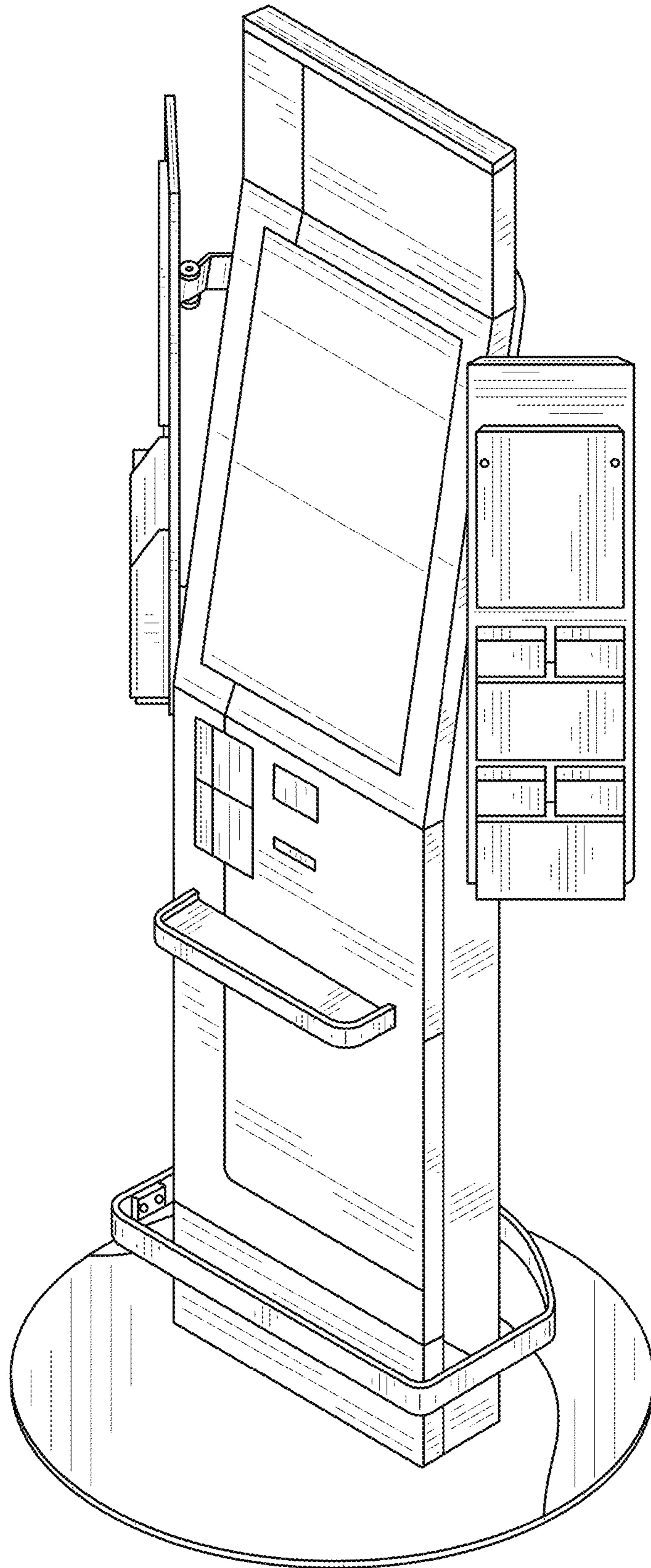


FIG. 1

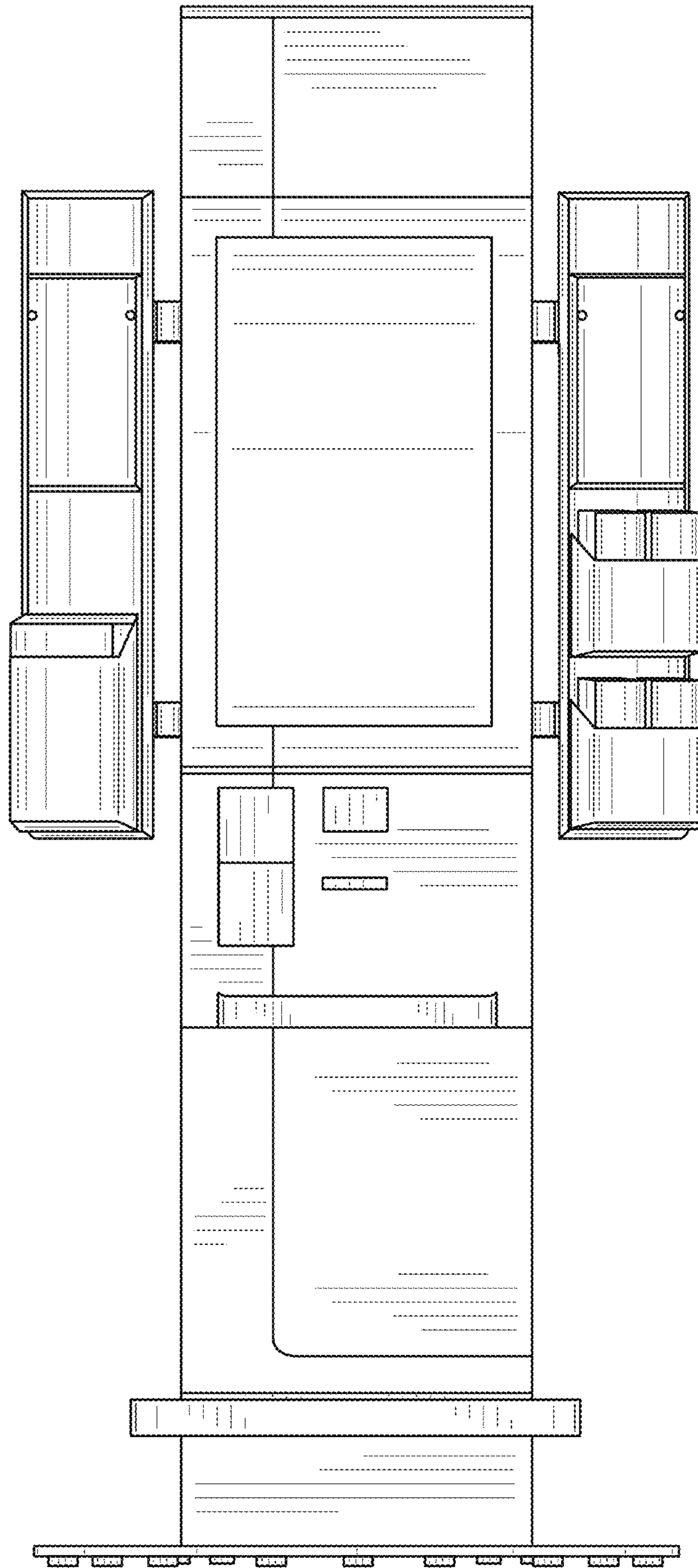


FIG. 2

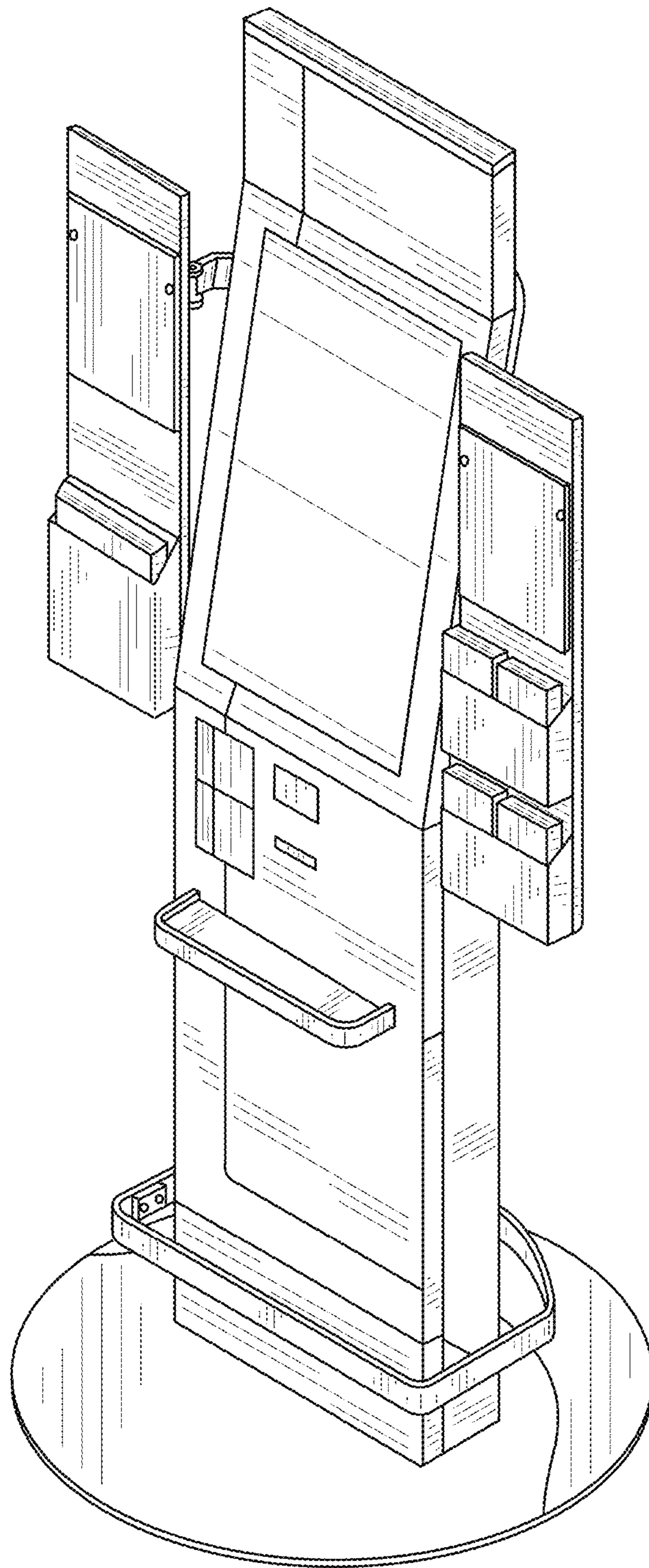


FIG. 3

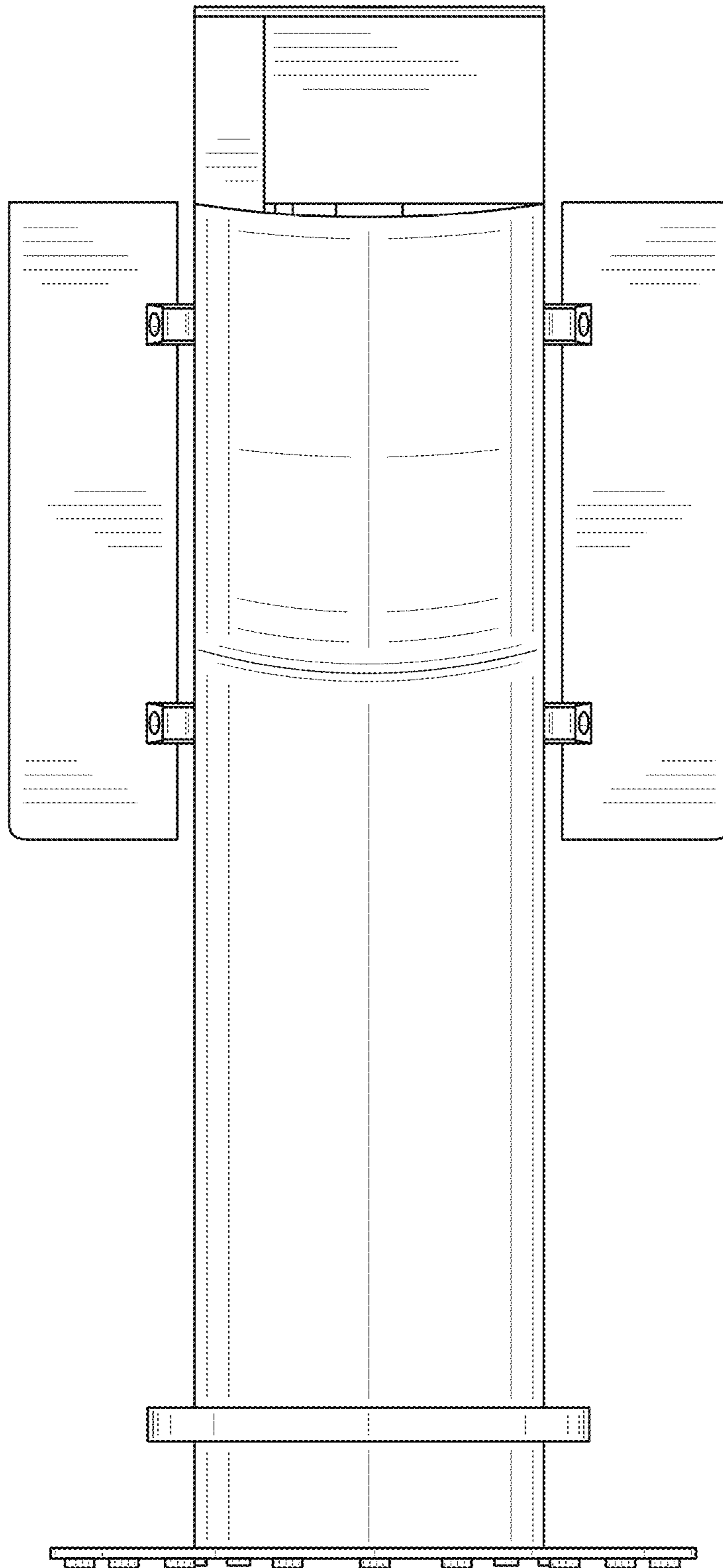


FIG. 4