



US00D769861S

(12) **United States Design Patent**
Sun

(10) **Patent No.:** **US D769,861 S**

(45) **Date of Patent:** **** Oct. 25, 2016**

(54) **STAND FOR MOBILE PHONE OR PORTABLE COMPUTING DEVICE**

(71) Applicant: **Kuang-Wu Sun**, Taichung (TW)

(72) Inventor: **Kuang-Wu Sun**, Taichung (TW)

(**) Term: **15 Years**

(21) Appl. No.: **29/544,406**

(22) Filed: **Nov. 3, 2015**

(51) **LOC (10) Cl.** **14-03**

(52) **U.S. Cl.**

USPC **D14/253**; D14/447

(58) **Field of Classification Search**

USPC D14/253, 251, 252, 447, 451, 452, 440, D14/434, 458, 432, 439, 457, 460, 238.1, D14/140, 142, 149, 217, 148, 140.8, 140.11, D14/209.1, 151, 140.9; D13/107, 108; D12/415, 223, 114; D3/218; D16/242-245, 250, 237, 203, 214, D16/219; D6/675, 672, 673, 675.4, 553, D6/676, 310

CPC B60R 2011/0008; B60R 11/02; B60R 11/0241; B60R 11/0258; B60R 11/0252; B60R 2011/0294; F16M 11/00; F16M 11/04; F16M 11/041; F16M 11/02; F16M 11/06; H04M 1/02; A47F 7/022; B62J 11/00

See application file for complete search history.

(56) **References Cited**

U.S. PATENT DOCUMENTS

D614,613 S * 4/2010 Kim D14/253
D640,707 S * 6/2011 Yeh D14/447

D670,295 S * 11/2012 Prescott D14/447
D690,306 S * 9/2013 Malisse D14/447
D733,156 S * 6/2015 Choi D14/447
D733,157 S * 6/2015 Kim D14/447
D751,565 S * 3/2016 Gross D14/451
D758,375 S * 6/2016 Won D14/451

* cited by examiner

Primary Examiner — Susan Bennett Hattan

Assistant Examiner — Janice Hallmark

(74) *Attorney, Agent, or Firm* — Muncy, Geissler, Olds & Lowe, P.C.

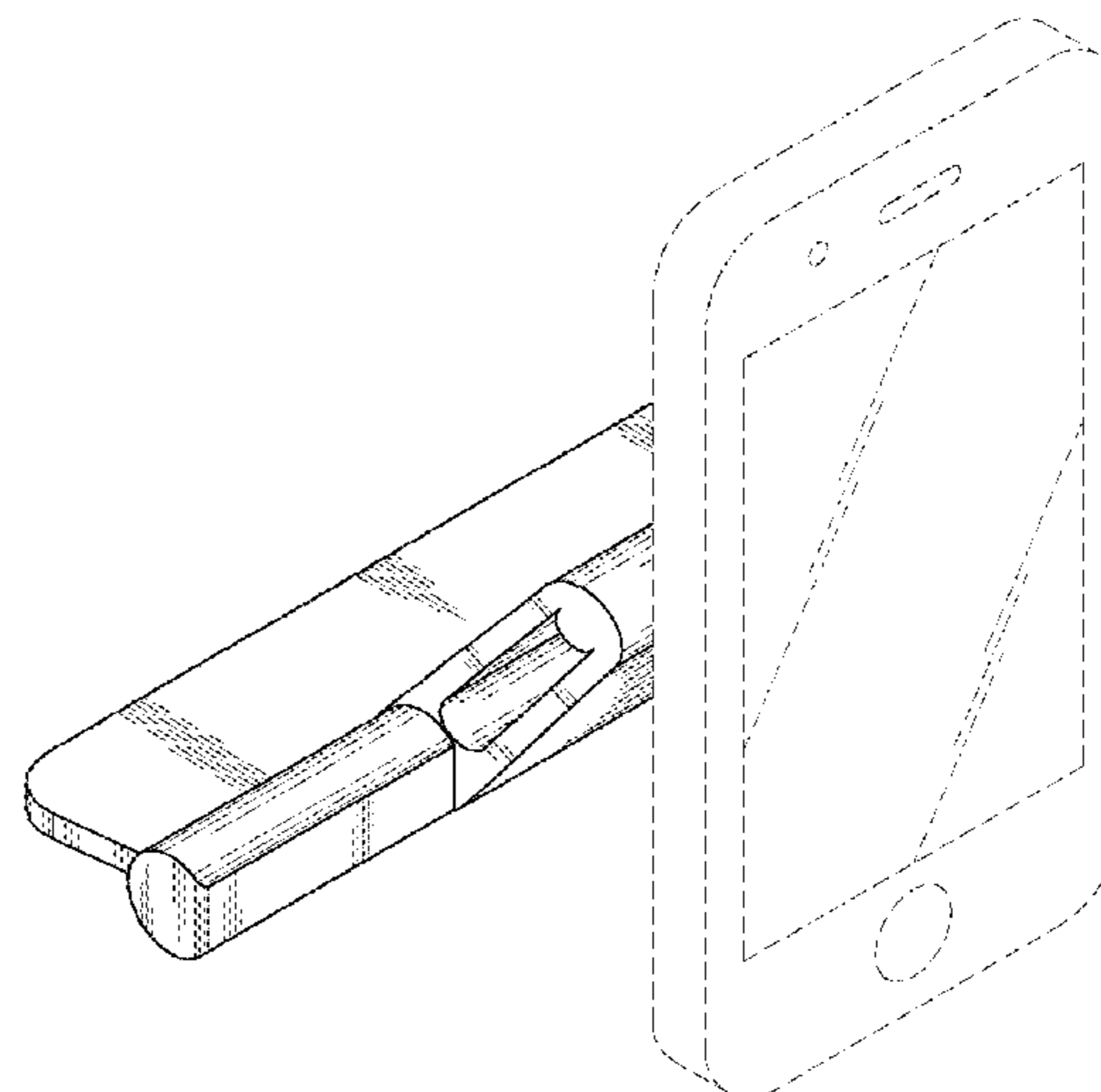
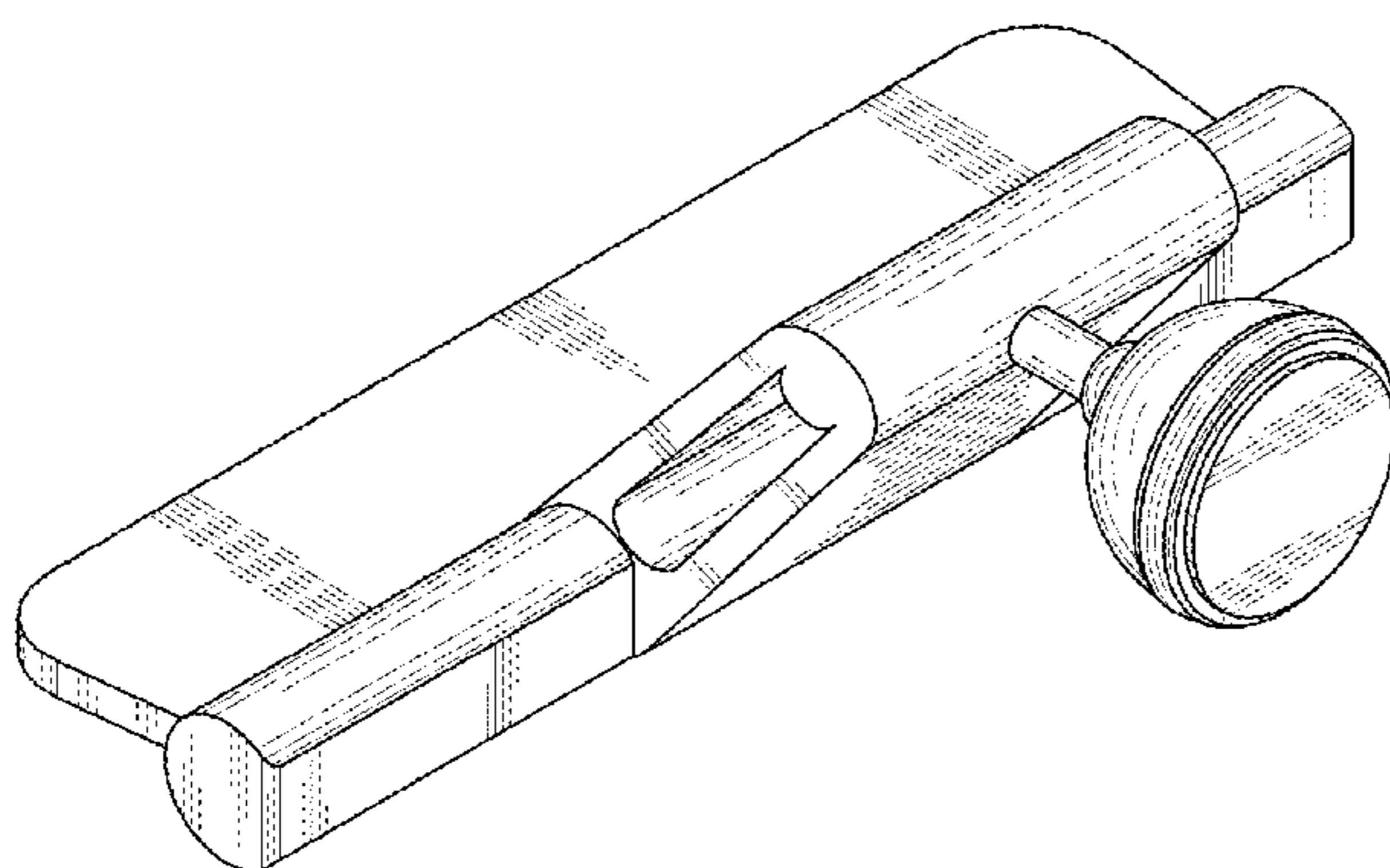
(57) **CLAIM**

The ornamental design for stand for mobile phone or portable computing device, as shown and described.

DESCRIPTION

FIG. 1 is a perspective view showing the new design; FIG. 2 is a front view of the new design; FIG. 3 is a rear view of the new design; FIG. 4 is a left view of the new design; FIG. 5 is a right view of the new design; FIG. 6 is a top view of the new design; FIG. 7 is a bottom view of the new design; FIG. 8 is an alternative perspective view showing the new design; and, FIG. 9 is a perspective view showing a status of the new design in use. The broken lines in the drawings depict environmental subject matter only and form no part of the claimed design.

1 Claim, 7 Drawing Sheets



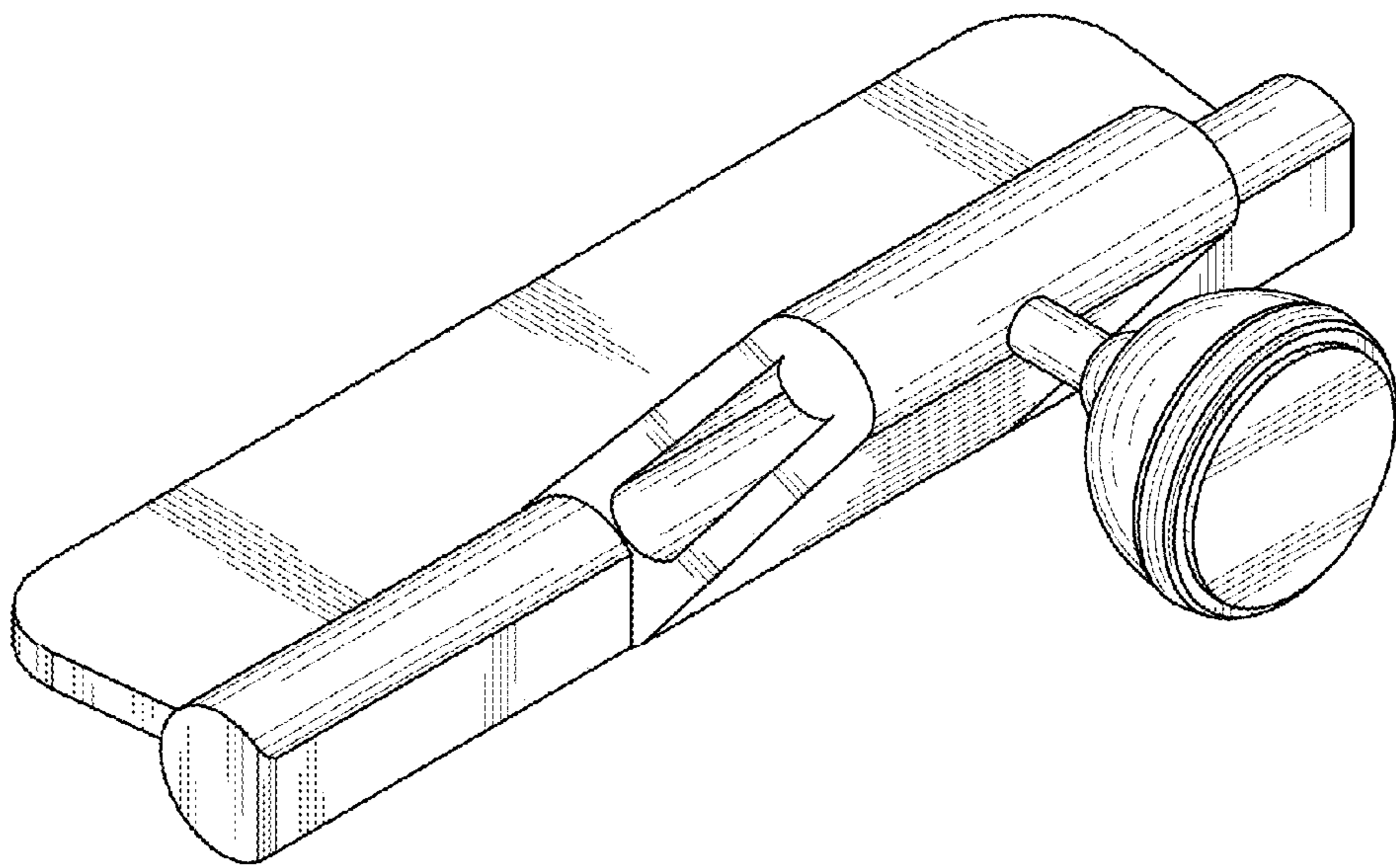


Fig.1

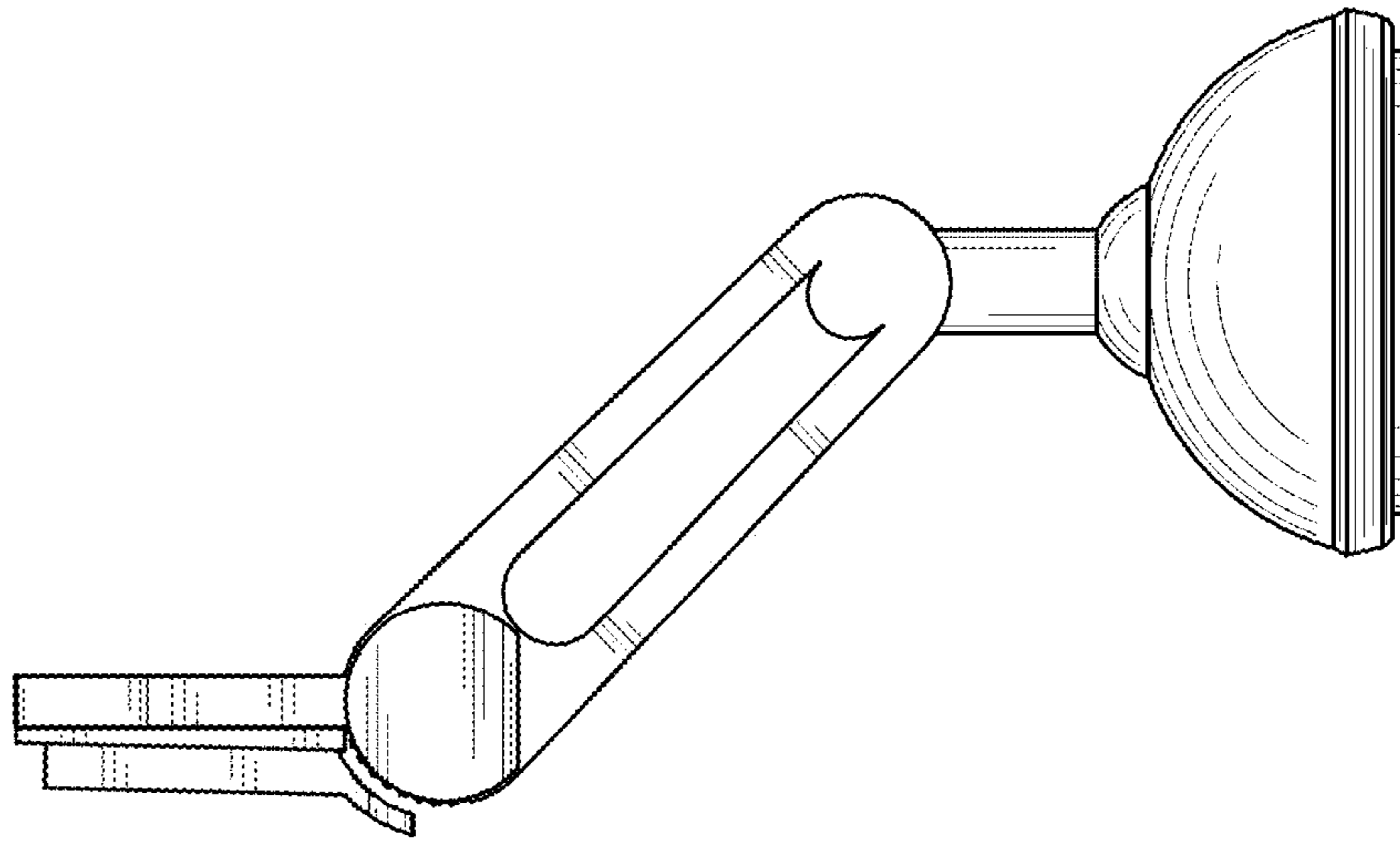


Fig.2

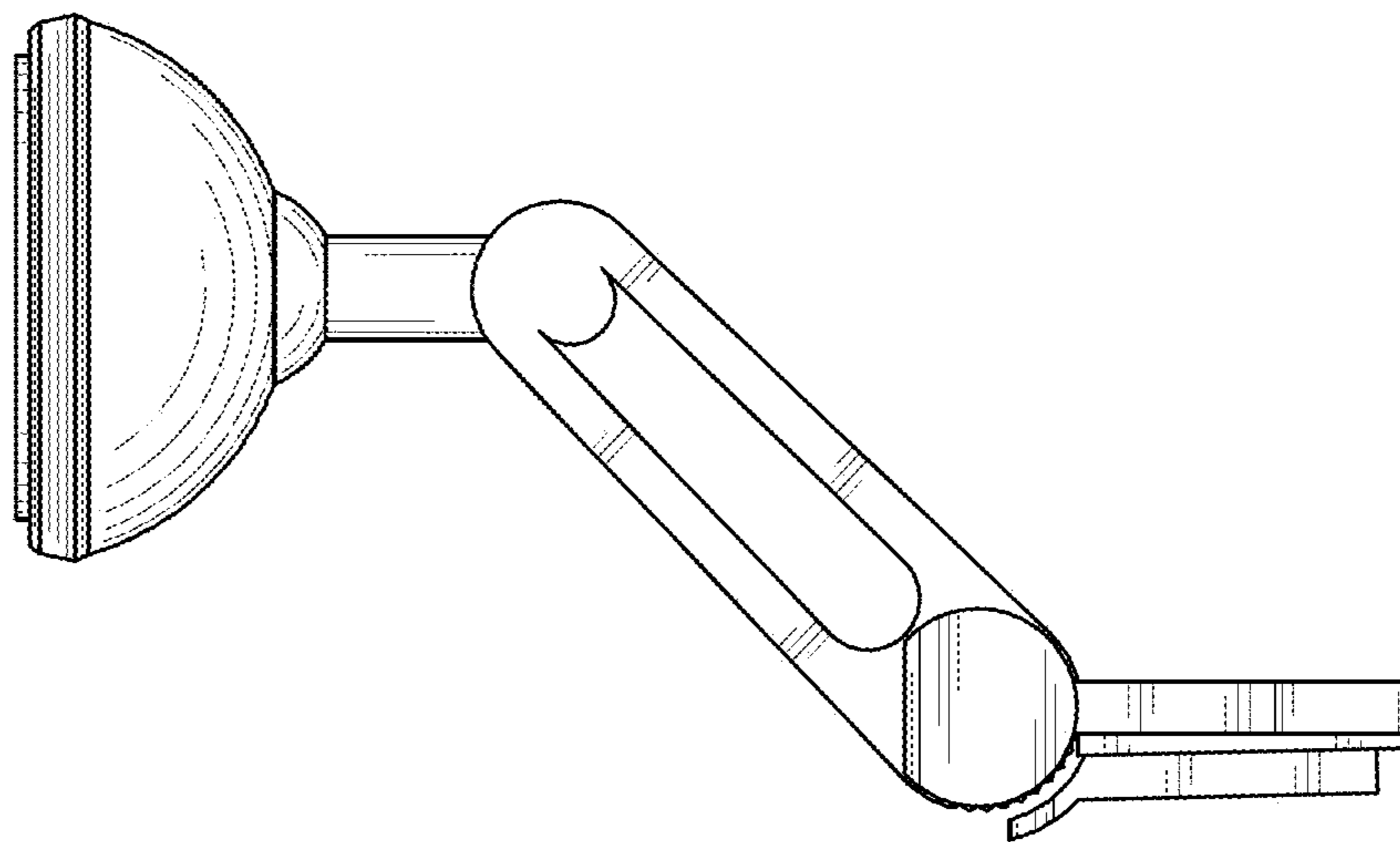


Fig.3

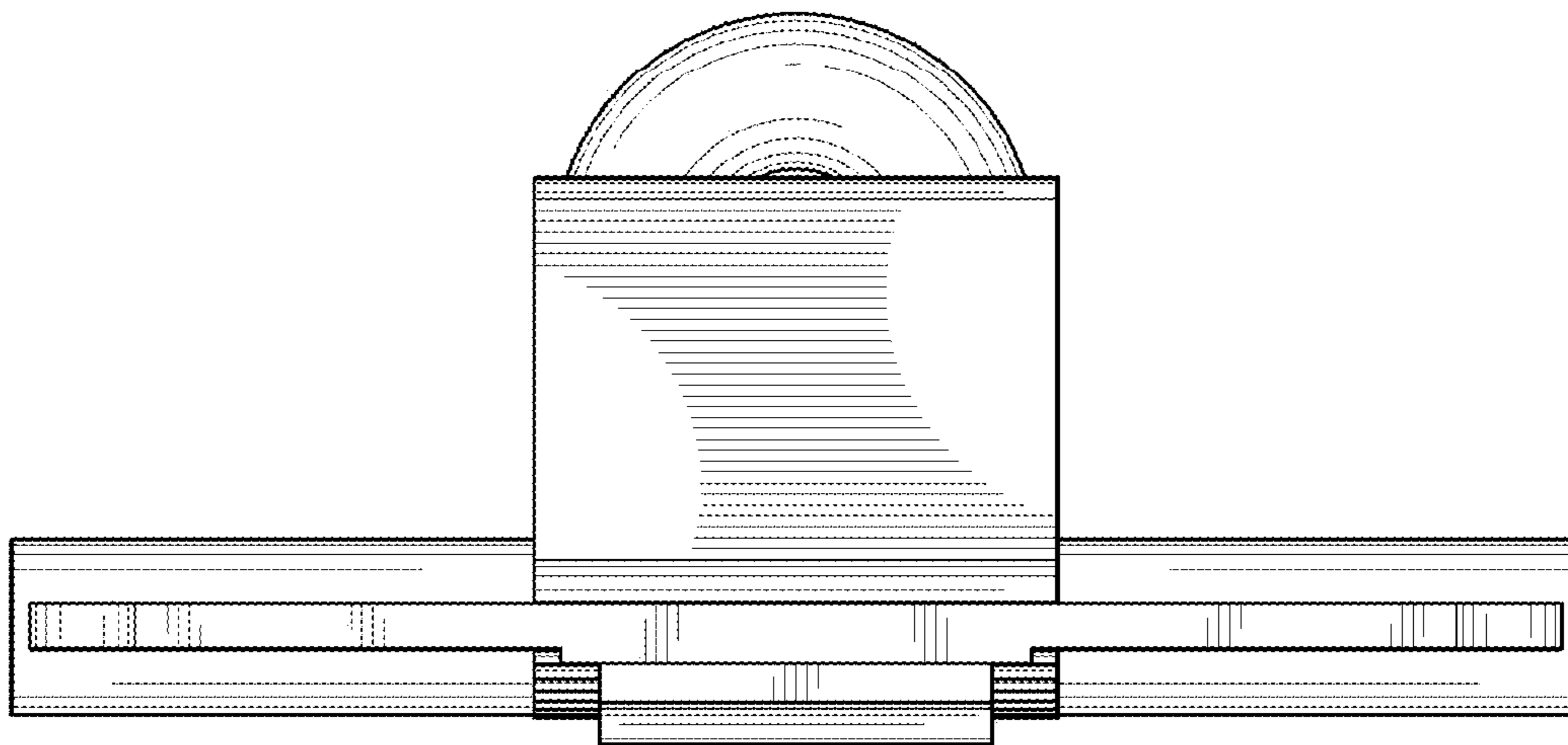


Fig.4

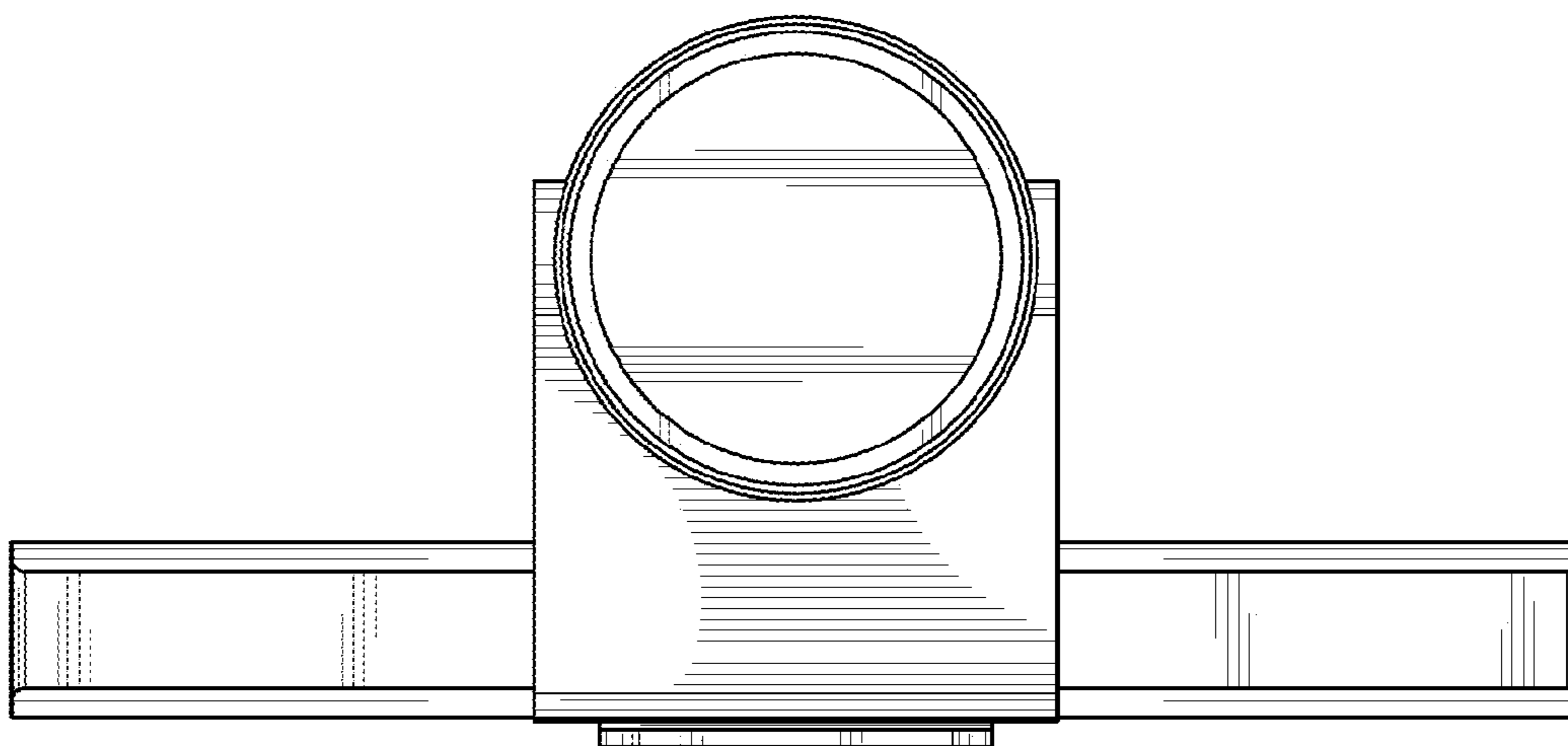


Fig.5

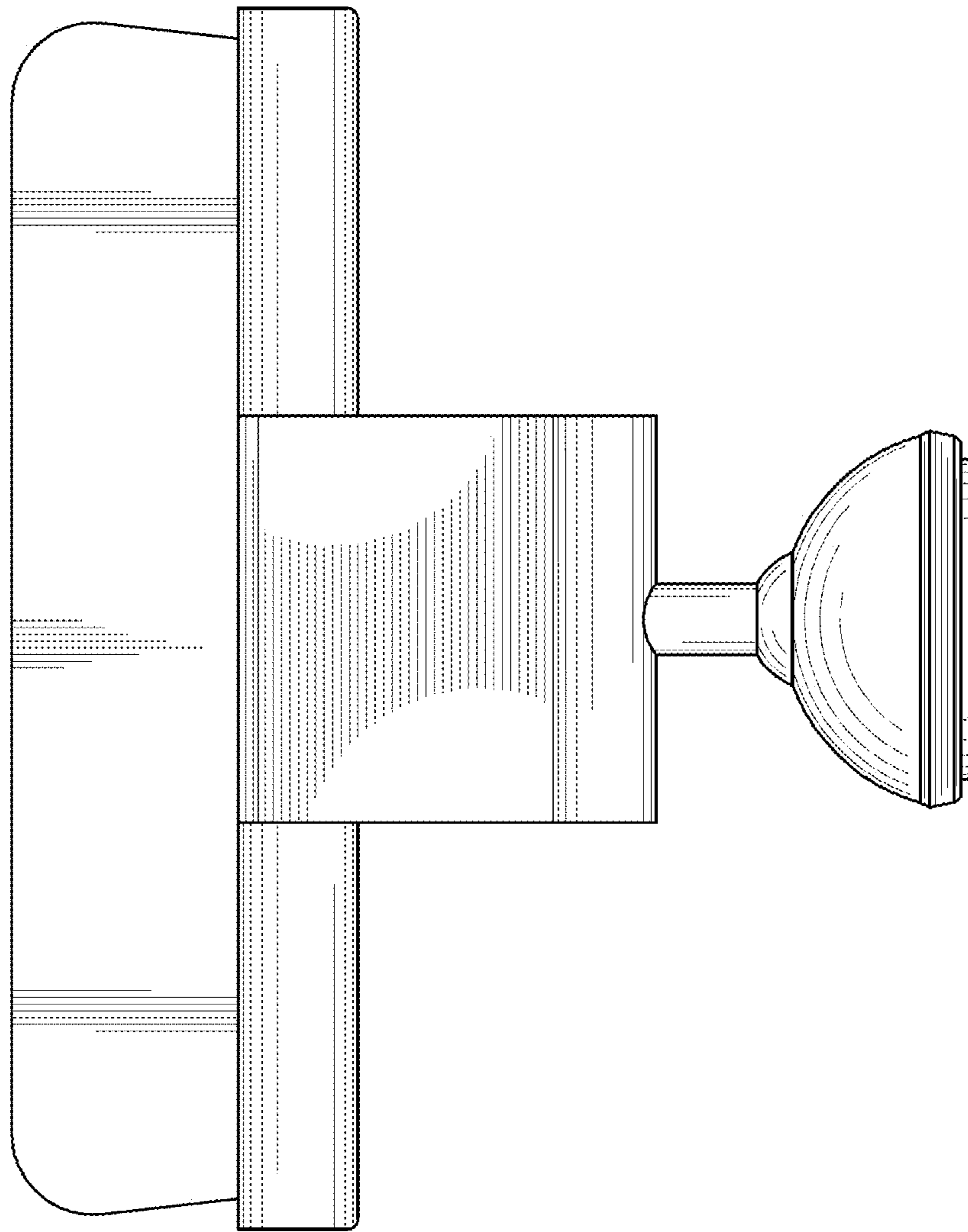


Fig.6

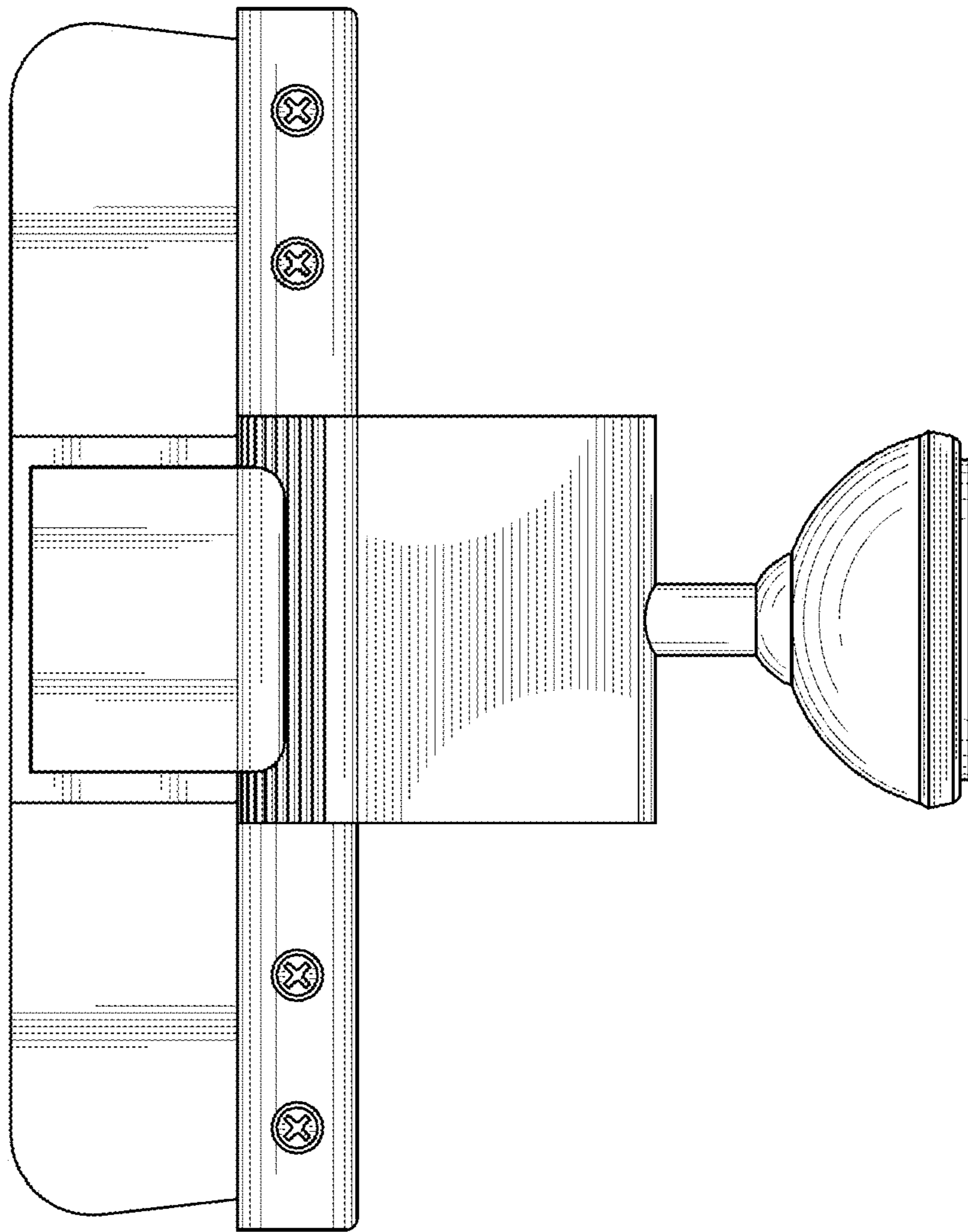


Fig.7

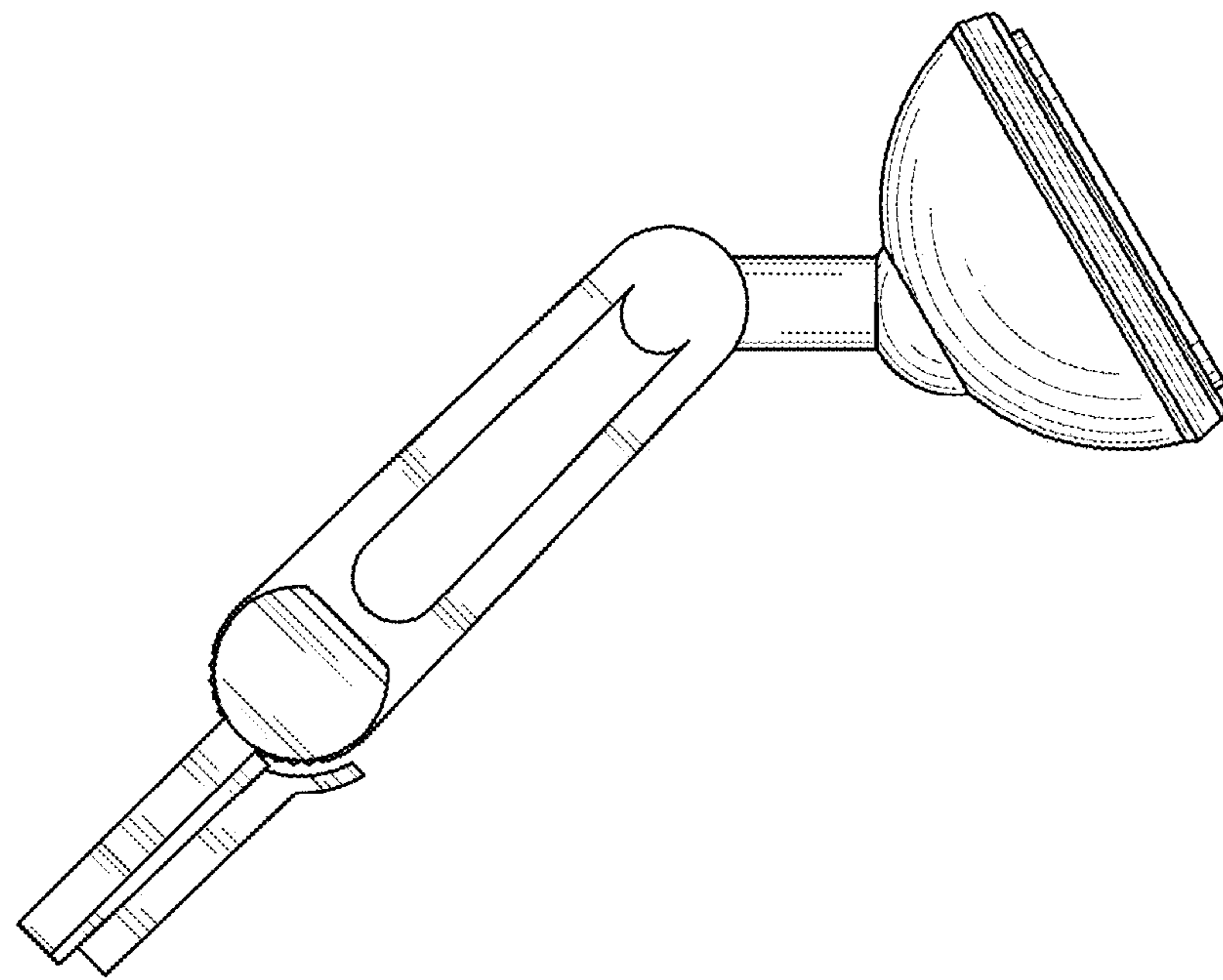


Fig.8

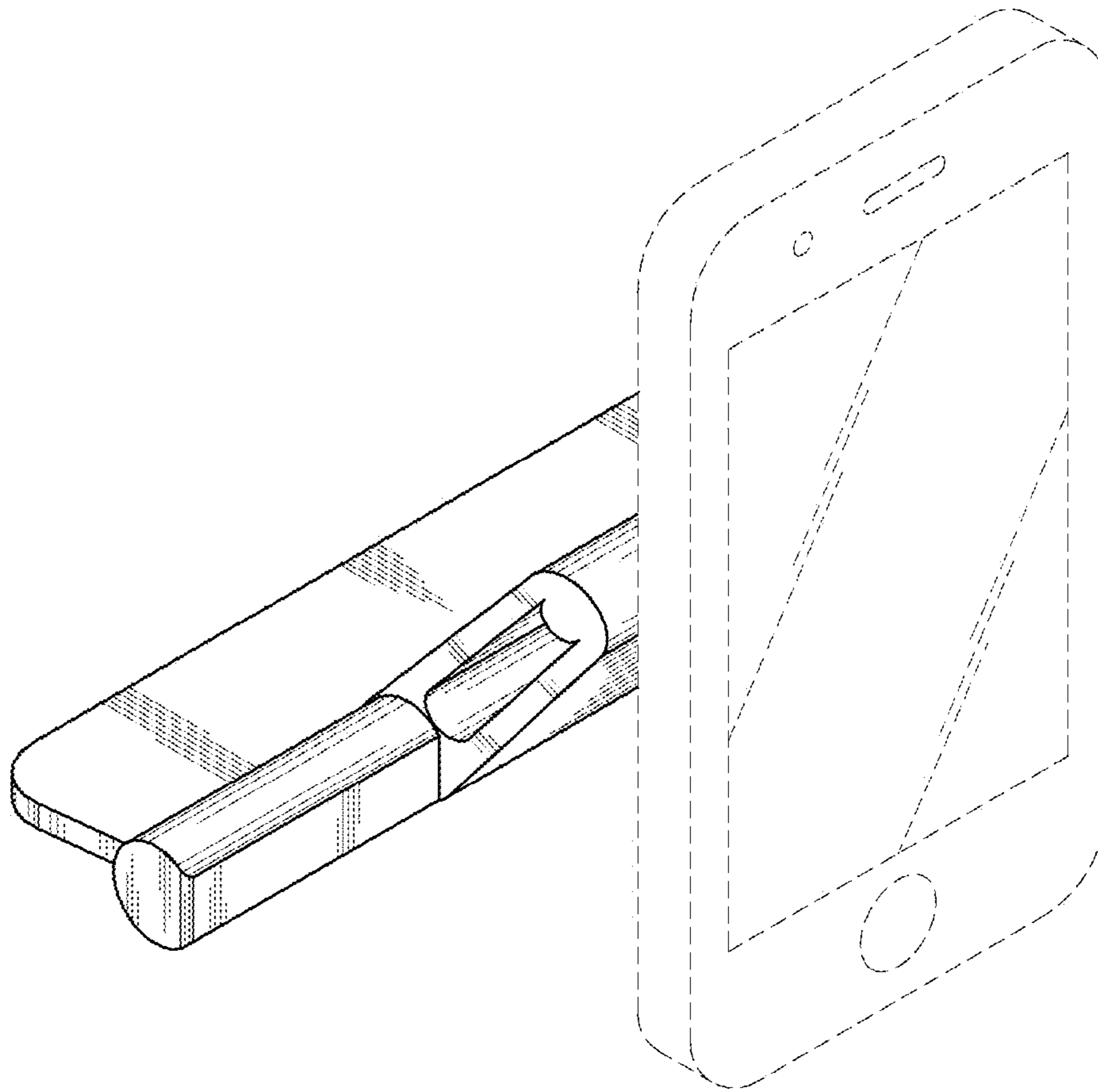


Fig.9