



US00D769860S

(12) **United States Design Patent** (10) **Patent No.:** **US D769,860 S**  
**Xiao** (45) **Date of Patent:** **\*\* Oct. 25, 2016**

(54) **MOBILE PHONE SUPPORTER FOR MOUNT ON AUTOMOBILE AIR OUTLET**

(71) Applicant: **Xuebing Xiao**, Jiangxi (CN)

(72) Inventor: **Xuebing Xiao**, Jiangxi (CN)

(\*\*) Term: **15 Years**

(21) Appl. No.: **29/542,089**

(22) Filed: **Oct. 9, 2015**

(51) **LOC (10) Cl.** ..... **14-03**

(52) **U.S. Cl.**  
USPC ..... **D14/253**

(58) **Field of Classification Search**

USPC ..... D14/253, 251, 252, 447, 451, 452, 440,  
D14/434, 458, 432, 439, 457, 460, 238.1,  
D14/140, 142, 149, 217, 148, 140.8, 140.11,  
D14/209.1, 151, 140.9, 250, 238; D13/107,  
D13/108; D12/415, 223, 114, 420, 417,  
D12/407, 177; D3/218; D16/242-245, 250,  
D16/237, 203, 214, 219; D8/349; D6/675,  
D6/672, 673, 675.4, 553, 676, 310, 406.3,  
D6/406.4, 406.5, 406.6, 407, 567, 300,  
D6/682.3; 248/459, 460; 224/483  
CPC ..... B60R 2011/0008; B60R 11/02; B60R  
11/0241; B60R 11/0258; B60R 11/0252;  
B60R 2011/0294; F16M 11/00; F16M 11/04;  
F16M 11/041; F16M 11/02; F16M 11/06;  
F16M 13/00; H04M 1/02; H04M 1/04;  
H04M 1/11; H04M 1/12; A47F 7/022;  
B62J 11/00; H05K 7/00; G03B 17/56

See application file for complete search history.

(56) **References Cited**

U.S. PATENT DOCUMENTS

D690,707 S *	10/2013	Minn	.....	D14/447
D716,215 S *	10/2014	Dunn	.....	D12/415
D720,759 S *	1/2015	Deng	.....	D14/447
D726,175 S *	4/2015	Tsai	.....	D12/415
D750,612 S *	3/2016	Chen	.....	D14/253
D750,633 S *	3/2016	Minn	.....	D14/447
D753,643 S *	4/2016	Kim	.....	D14/253
D757,705 S *	5/2016	Esses	.....	D14/251
2011/0163143 A1 *	7/2011	Zanetti	.....	B60R 11/02 224/567
2014/0138419 A1 *	5/2014	Minn	.....	B60R 11/0241 224/567
2015/0192155 A1 *	7/2015	Chen	.....	H04N 5/2251 348/376

\* cited by examiner

*Primary Examiner* — Susan Bennett Hattan

*Assistant Examiner* — Janice Hallmark

(57) **CLAIM**

The ornamental design for a mobile phone supporter for mount on automobile air outlet, as shown and described.

**DESCRIPTION**

FIG. 1 is a perspective view of a mobile phone supporter for mount on automobile air outlet, showing my new design.

FIG. 2 is a front view thereof.

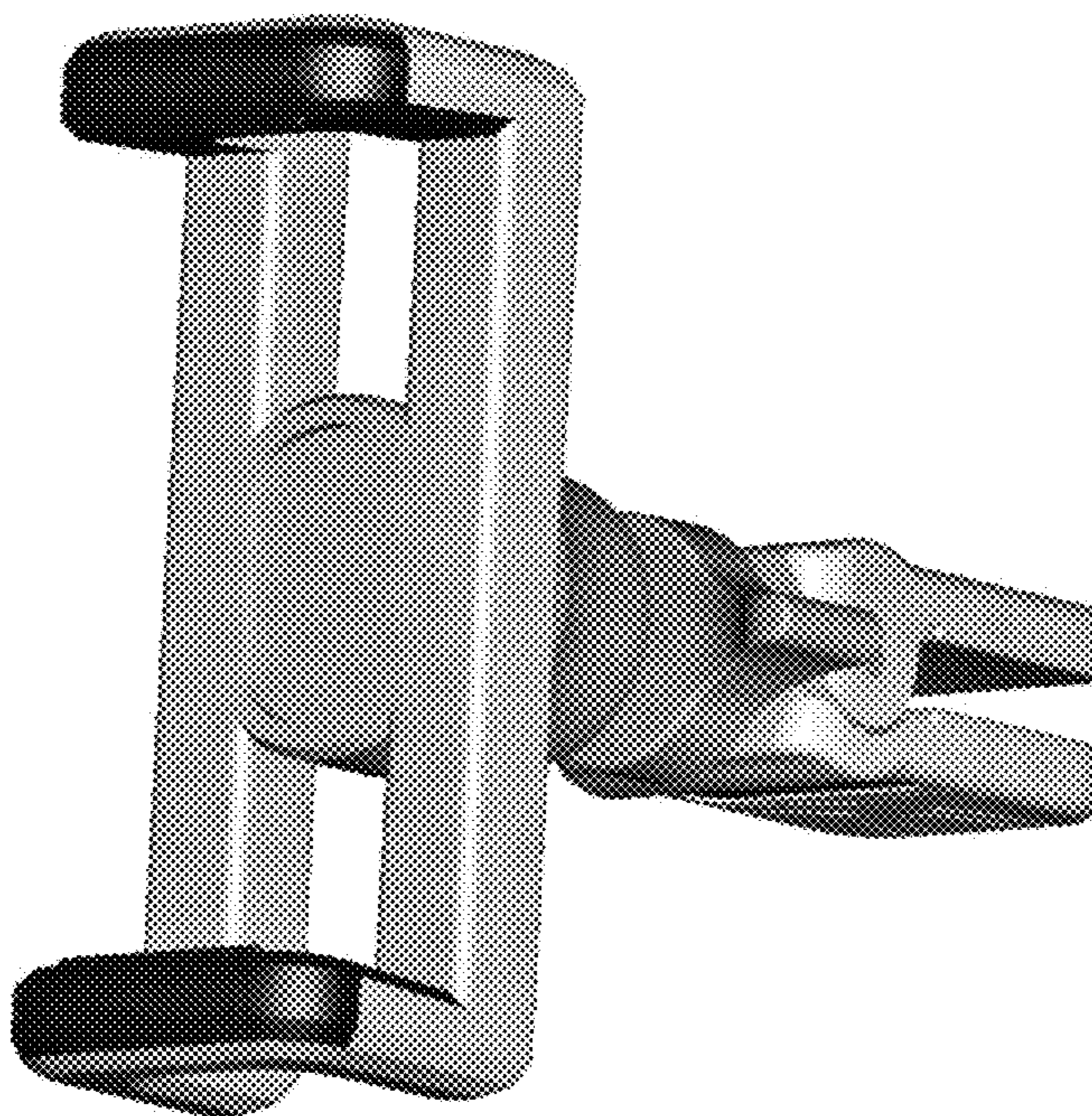
FIG. 3 is a left view thereof.

FIG. 4 is a right view thereof.

FIG. 5 is a top view thereof; and,

FIG. 6 is a bottom view thereof.

**1 Claim, 6 Drawing Sheets**





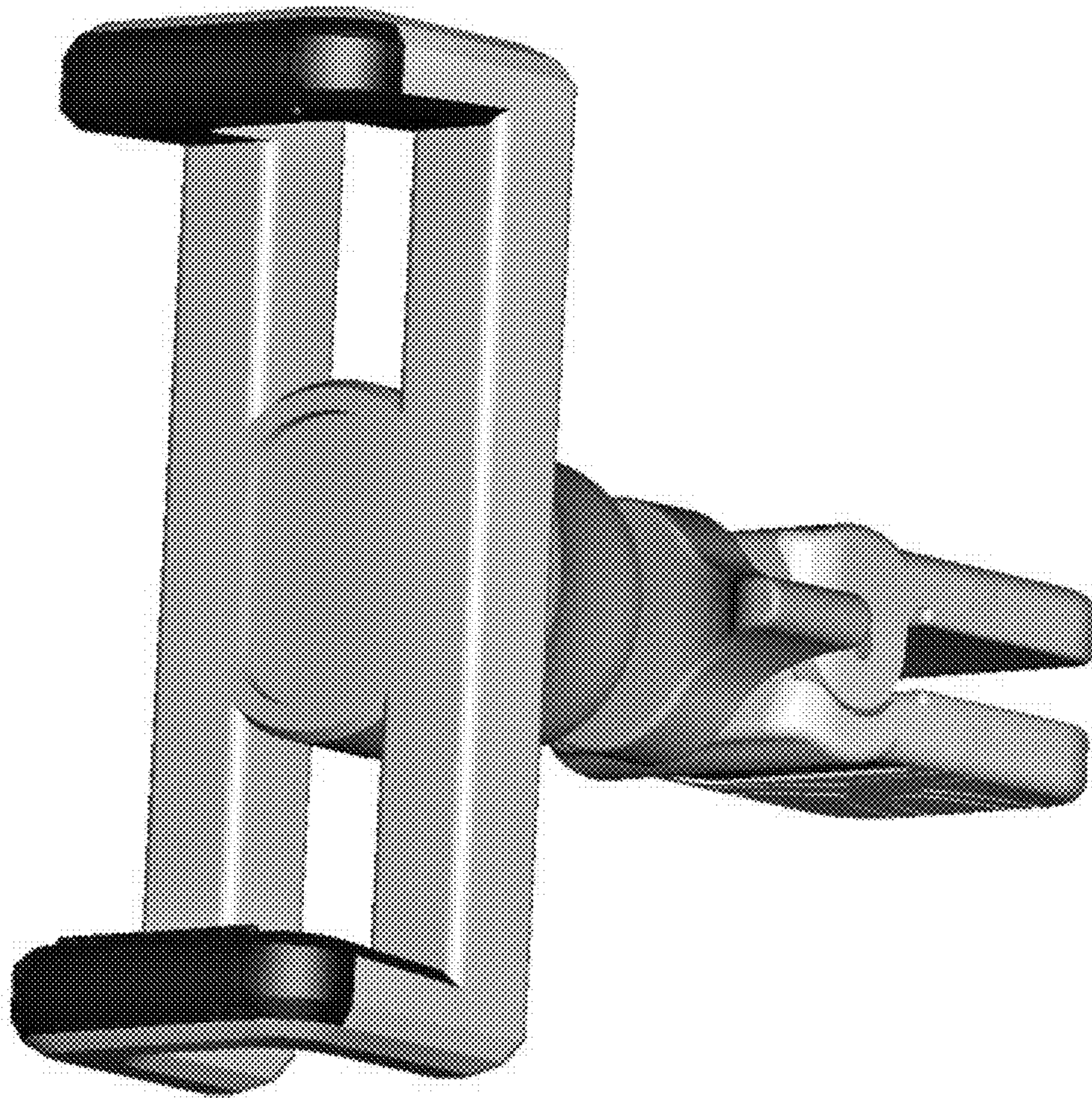


Fig. 1

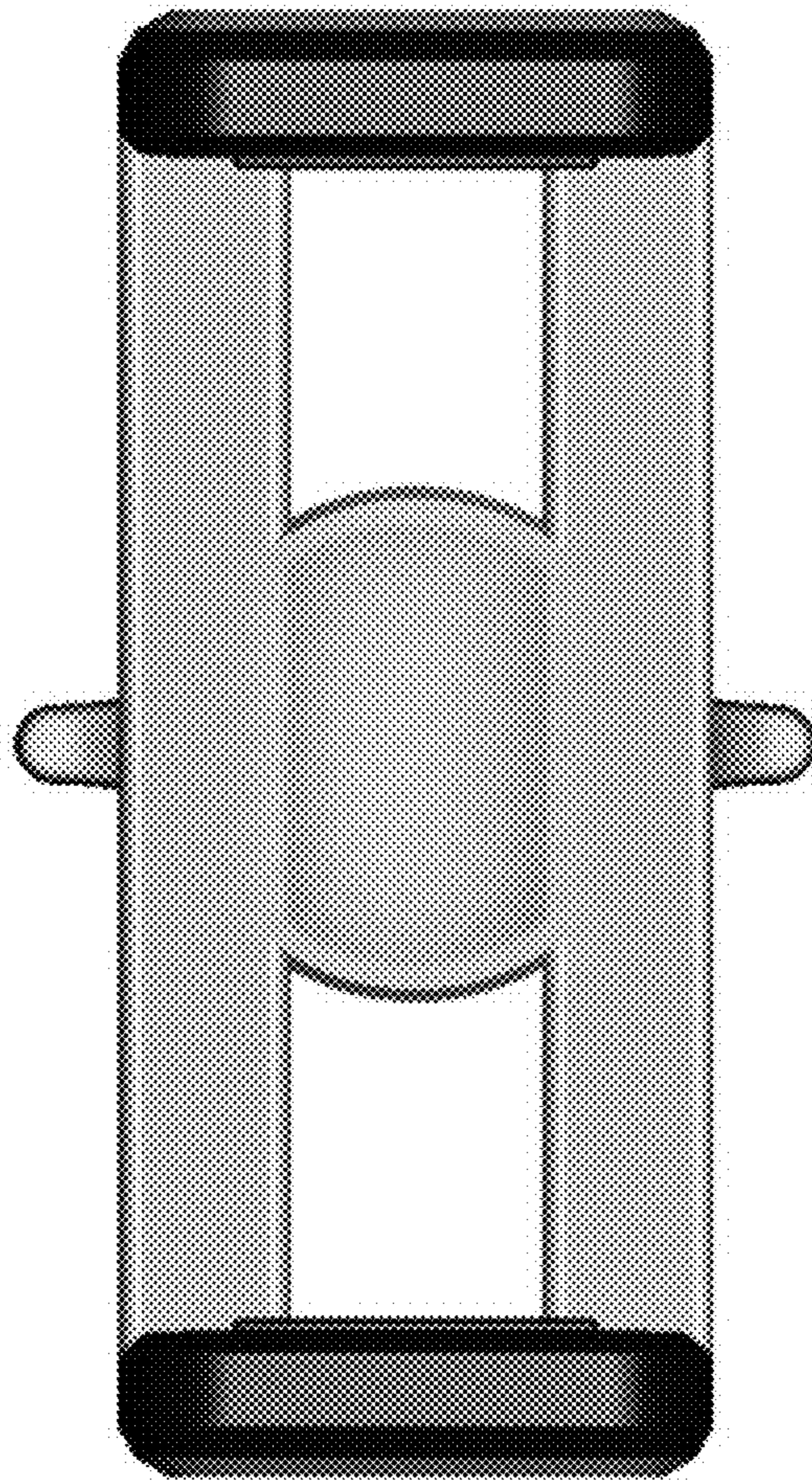


Fig. 2



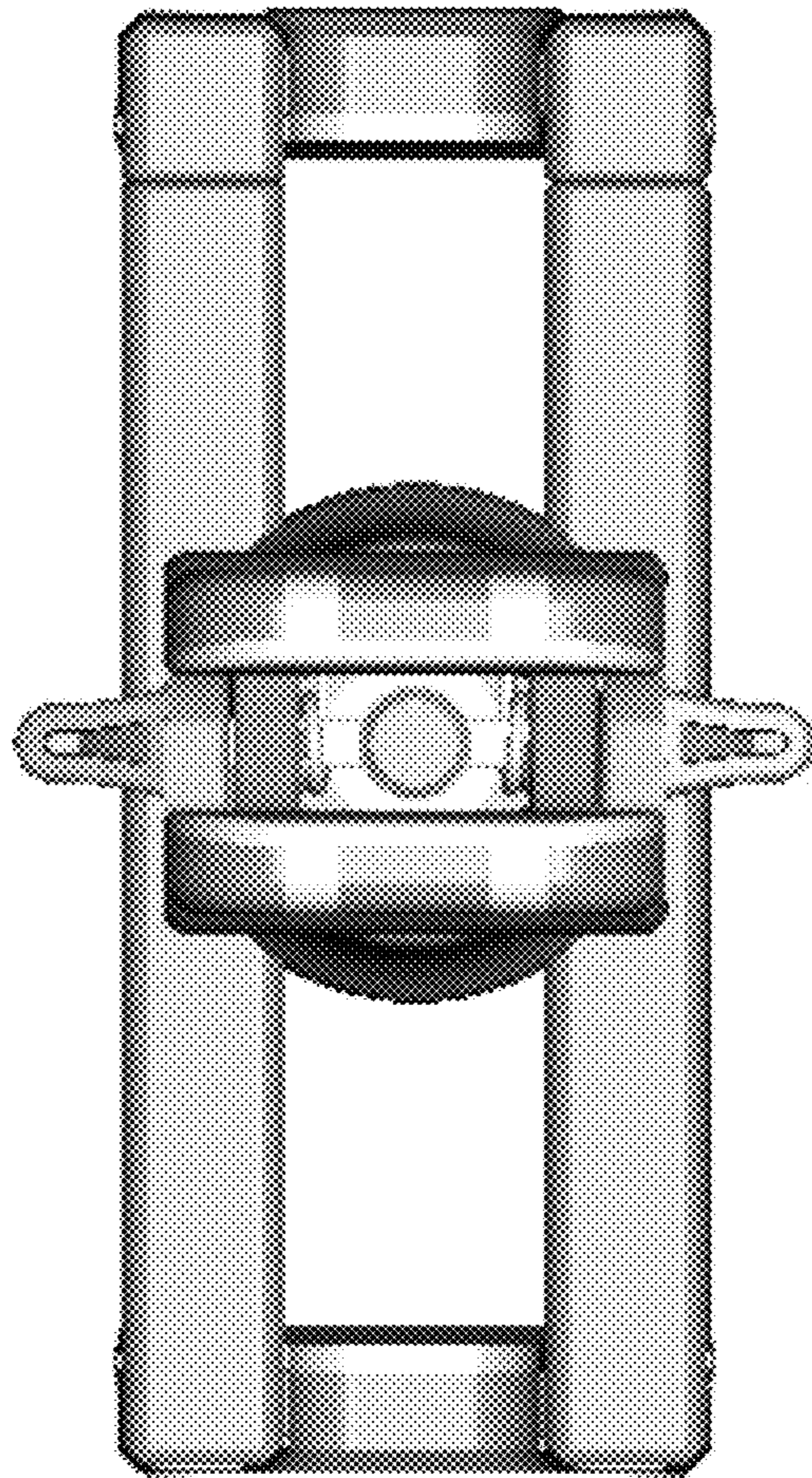


Fig. 3

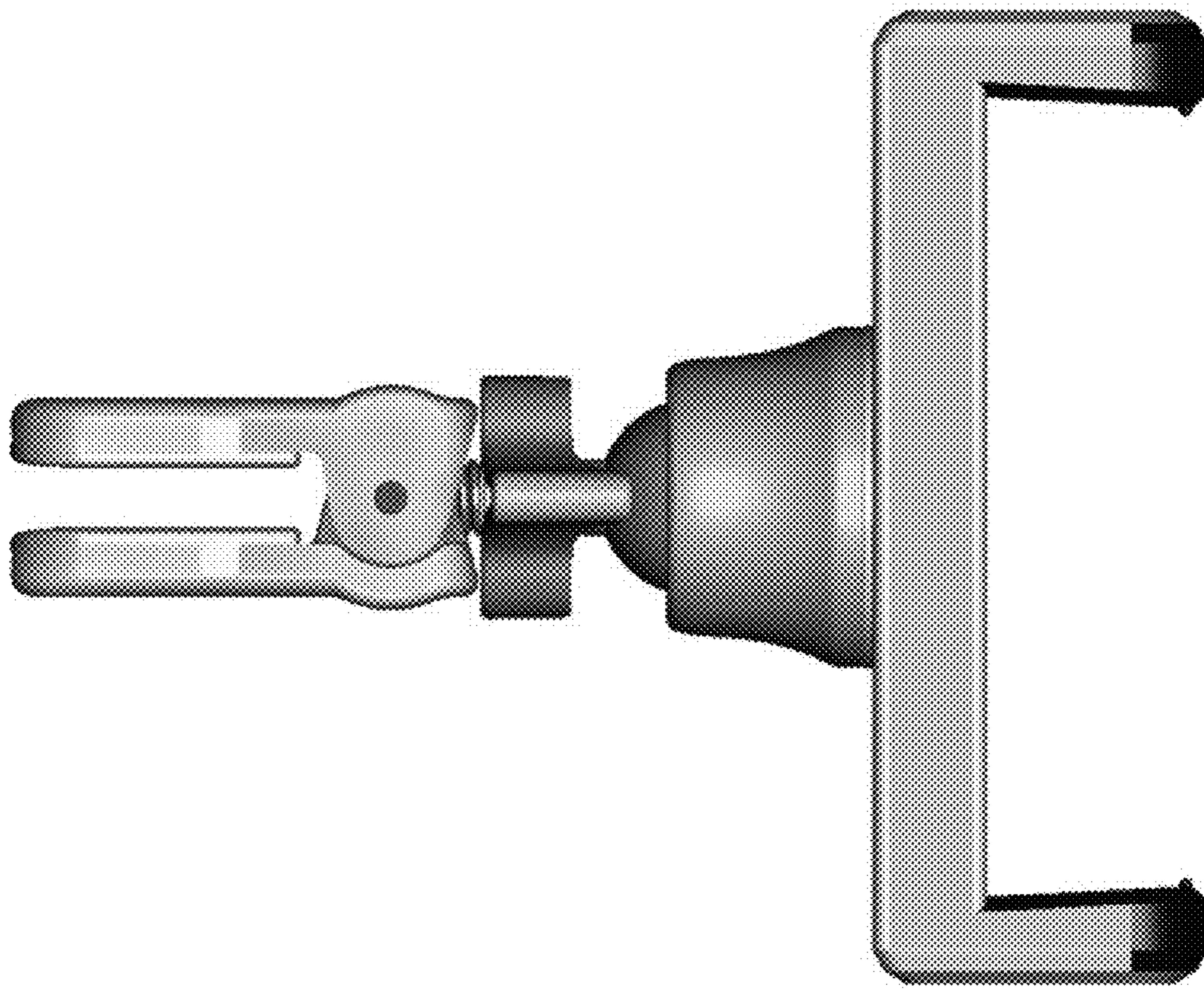


Fig. 4

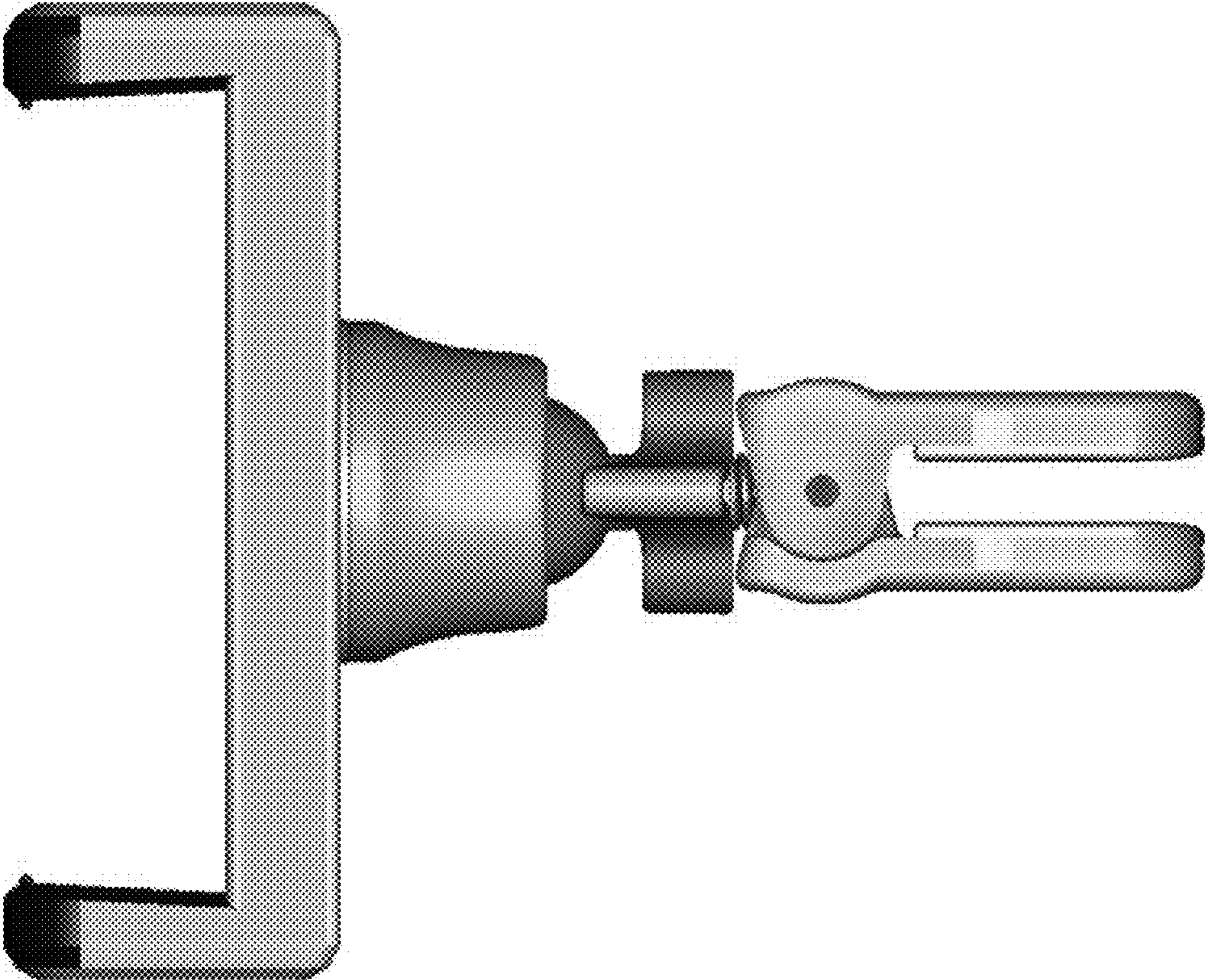


Fig. 5



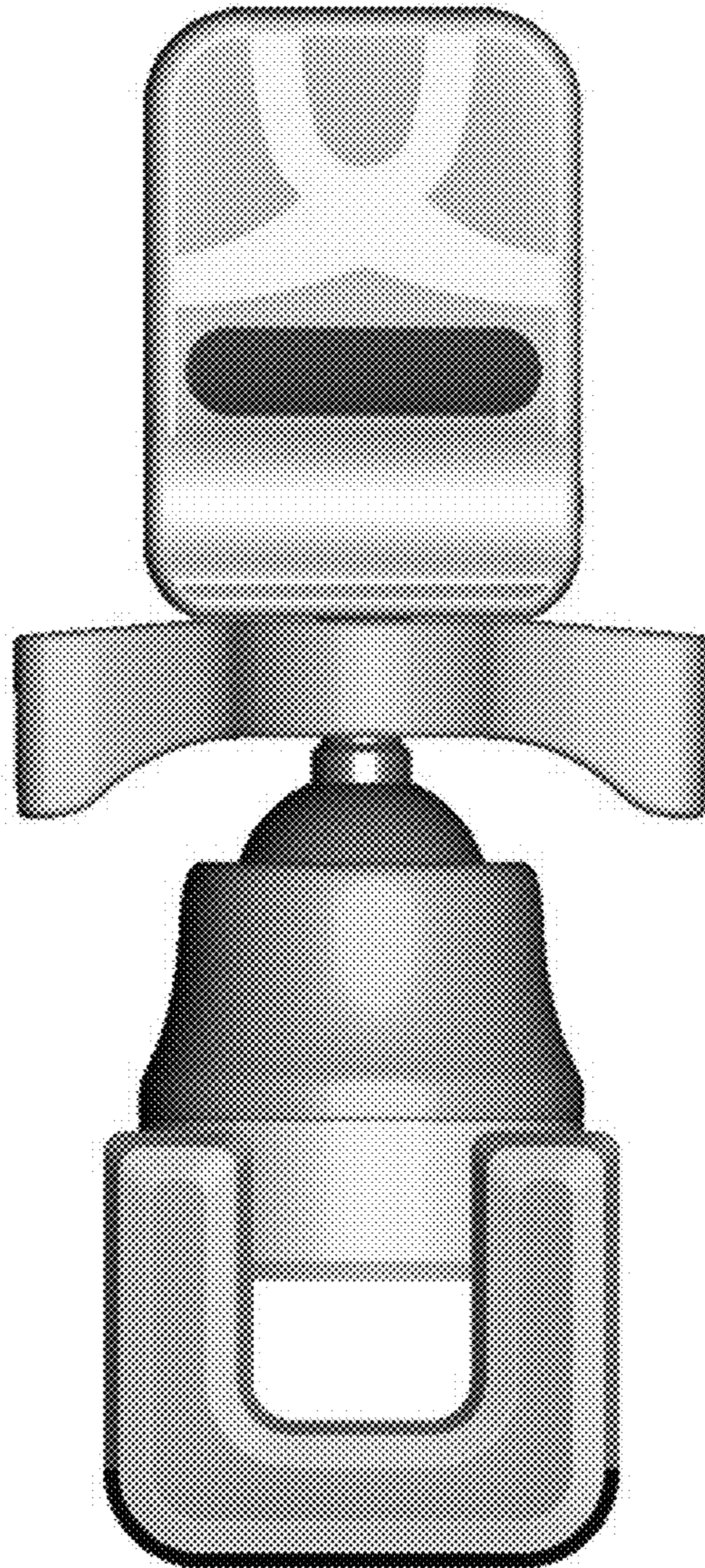


Fig. 6