



US00D769858S

(12) **United States Design Patent** (10) **Patent No.:** **US D769,858 S**
Carruthers et al. (45) **Date of Patent:** **** Oct. 25, 2016**

(54) **SMART DEVICE HOLDER**

(71) Applicant: **KoupKart, LLC**, East Greenbush, NY (US)

(72) Inventors: **Matthew K. Carruthers**, Ballston Spa, NY (US); **Charles E. Bauer, Jr.**, East Greenbush, NY (US); **Robert Peck**, Gansevoort, NY (US)

(73) Assignee: **KOUPKART, LLC**, East Greenbush, NY (US)

(**) Term: **15 Years**

(21) Appl. No.: **29/530,384**

(22) Filed: **Jun. 16, 2015**

(51) **LOC (10) Cl.** **14-03**

(52) **U.S. Cl.**
USPC **D14/253**

(58) **Field of Classification Search**
USPC D14/253, 251, 252, 447, 451, 452, 440, D14/434, 458, 432, 439, 457, 460, 238.1, D14/140, 142, 149, 217, 148, 140.8, 140.11, D14/209.1, 151, 140.9, 250; D13/107, 108; D12/415, 223, 114, 420, 417, 407, D12/177; D3/218; D16/242-245, 250, 237, D16/203, 214, 219; D8/349; D6/675, 672, D6/673, 675.4, 553, 676, 310, 406.3, D6/406.4, 406.5, 406.6, 407
CPC B60R 2011/0008; B60R 11/02; B60R 11/0241; B60R 11/0258; B60R 11/0252; B60R 2011/0294; F16M 11/00; F16M 11/04; F16M 11/041; F16M 11/02; F16M 11/06; F16M 13/00; H04M 1/02; H04M 1/04; H04M 1/11; H04M 1/12; A47F 7/022; B62J 11/00; H05K 7/00; G03B 17/56

See application file for complete search history.

(56) **References Cited**

U.S. PATENT DOCUMENTS

D668,247 S *	10/2012	Kim	D14/253
D685,804 S *	7/2013	Richter	D14/253
D686,216 S *	7/2013	Hachadorian	D14/447
D692,013 S *	10/2013	Crysell	D14/447
D696,672 S *	12/2013	Brittain	D14/447
D697,514 S *	1/2014	Davis	D14/447
D697,919 S *	1/2014	Gelsomini	D14/447
D706,274 S *	6/2014	Shubin, Sr.	D14/447
D707,220 S *	6/2014	Belby	D14/253
D714,772 S *	10/2014	Rozzo	D13/102
D717,804 S *	11/2014	Budge	D14/447
2013/0313297 A1 *	11/2013	Belby	B62B 3/1428 224/411
2014/0069973 A1 *	3/2014	Peck	B60R 11/02 224/411

* cited by examiner

Primary Examiner — Susan Bennett Hattan

Assistant Examiner — Janice Hallmark

(74) *Attorney, Agent, or Firm* — Hoffman Warnick LLC

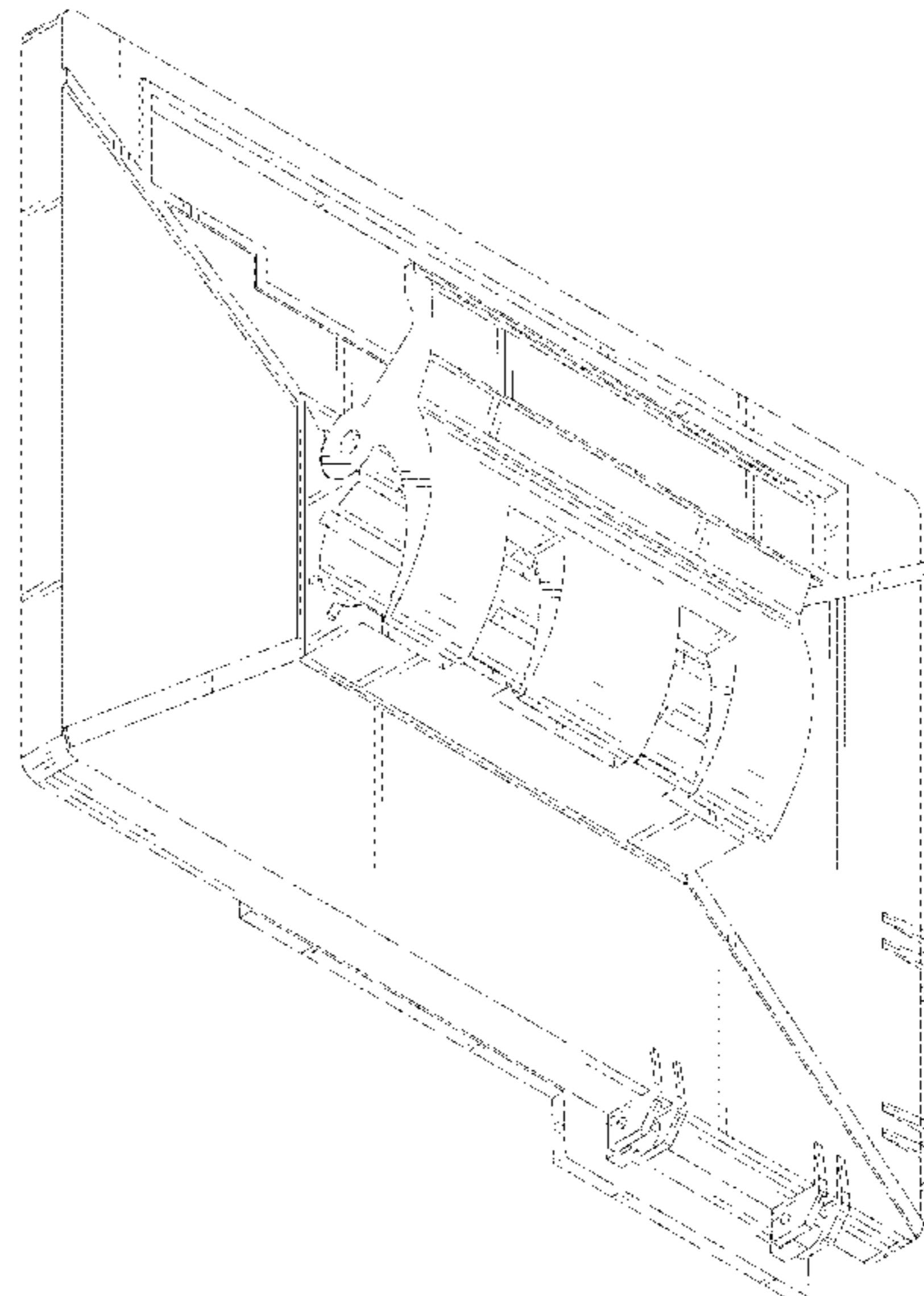
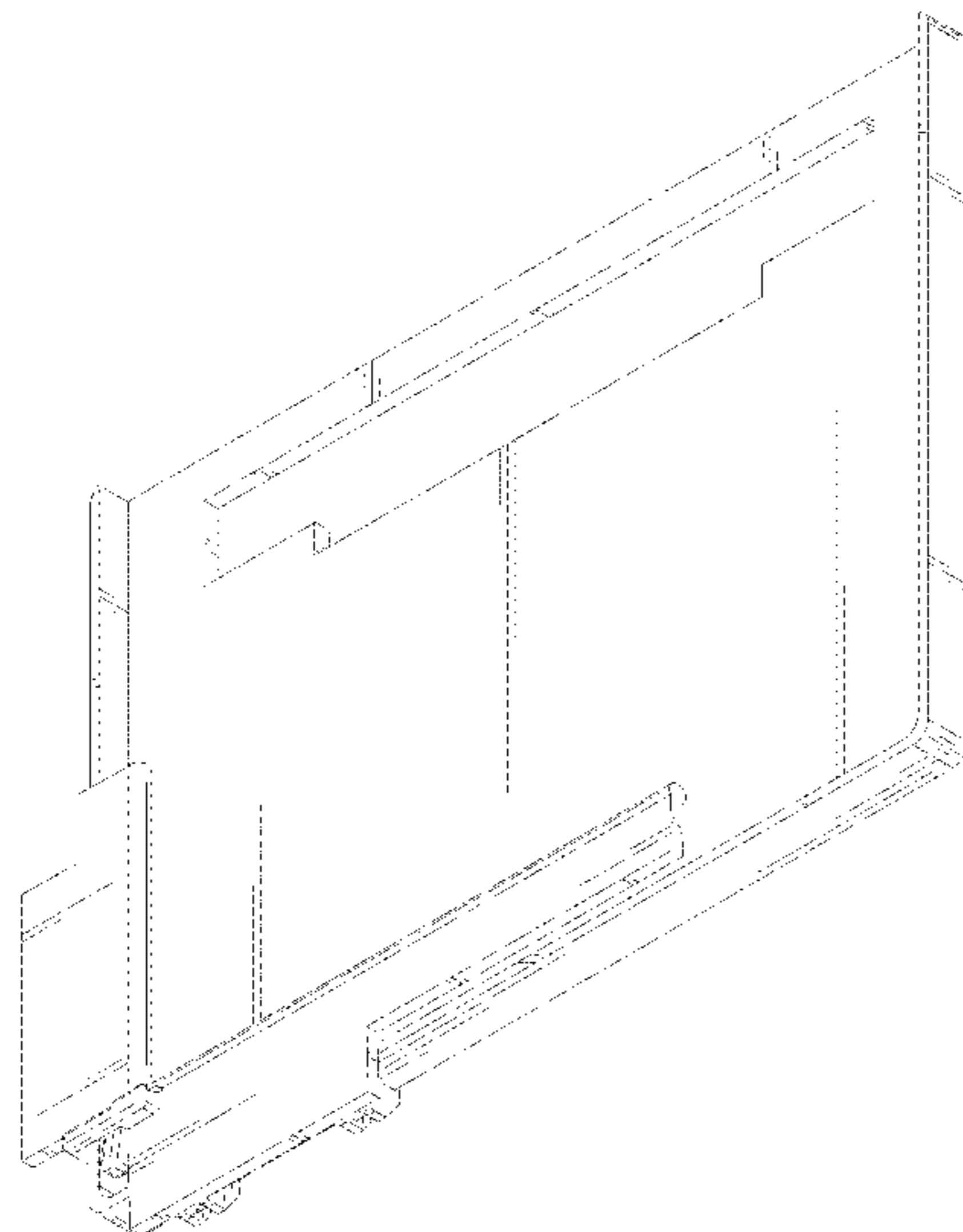
(57) **CLAIM**

The design for a smart device holder, as shown and described.

DESCRIPTION

FIG. 1 is a front perspective view of the smart device holder; FIG. 2 is rear perspective view of the smart device holder of FIG. 1; FIG. 3 is a top view of the smart device holder of FIG. 1; FIG. 4 is a bottom view of the smart device holder of FIG. 1; FIG. 5 is a front view of the smart device holder of FIG. 1; FIG. 6 is a side view of the smart device holder of FIG. 1; FIG. 7 is a side view of the smart device holder of FIG. 1; and, FIG. 8 is a rear view of the smart device holder of FIG. 1.

1 Claim, 6 Drawing Sheets



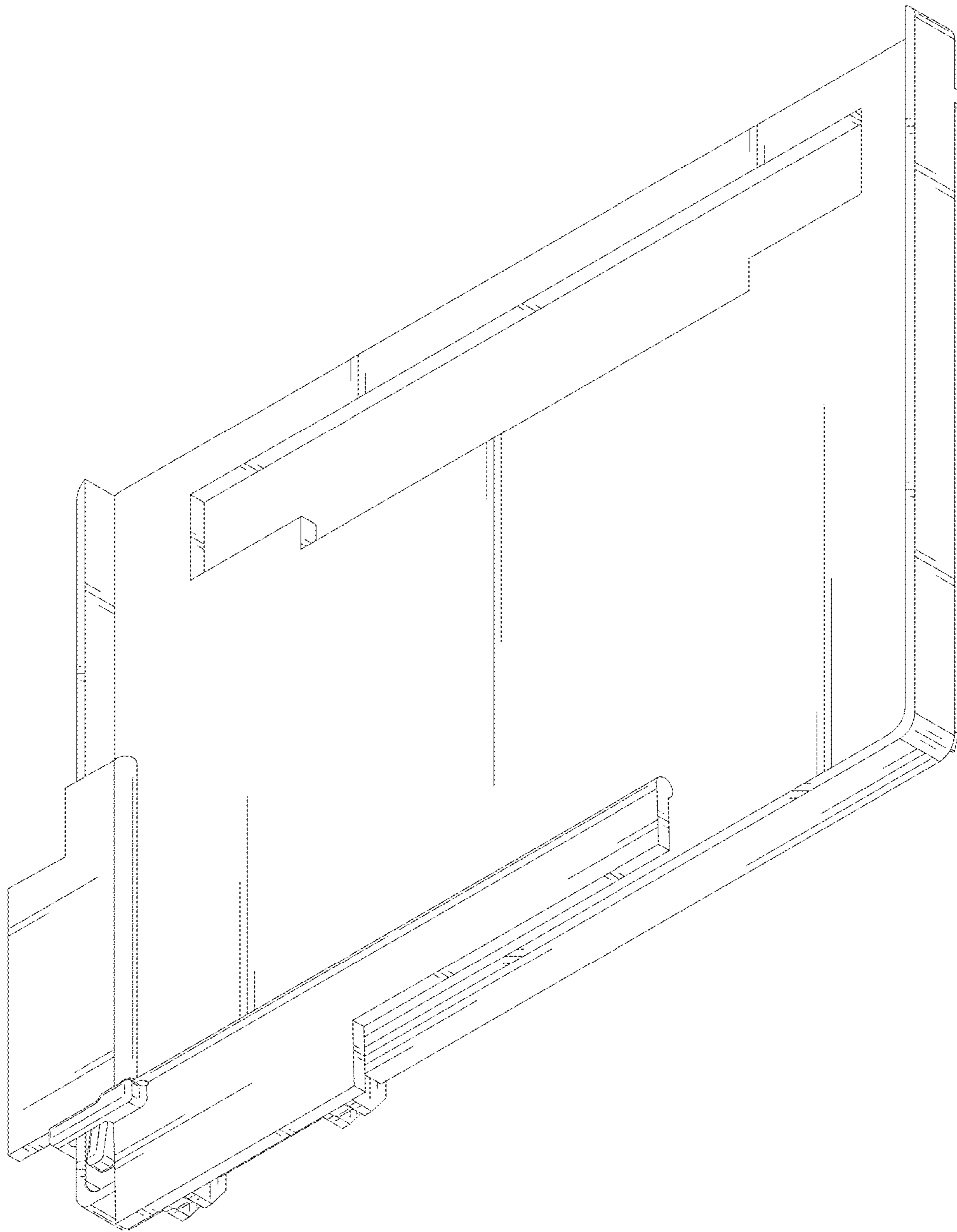


FIG. 1

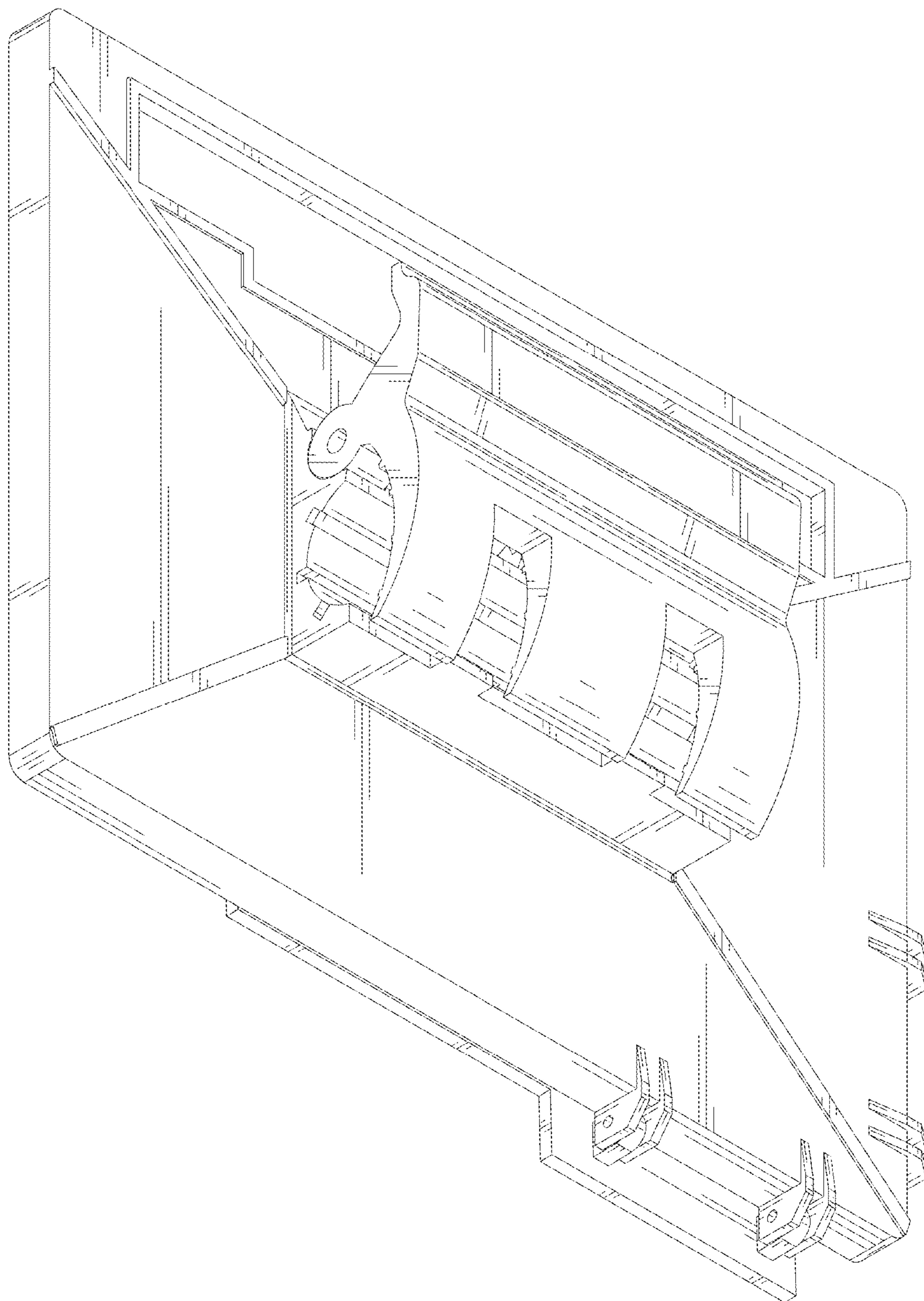


FIG. 2

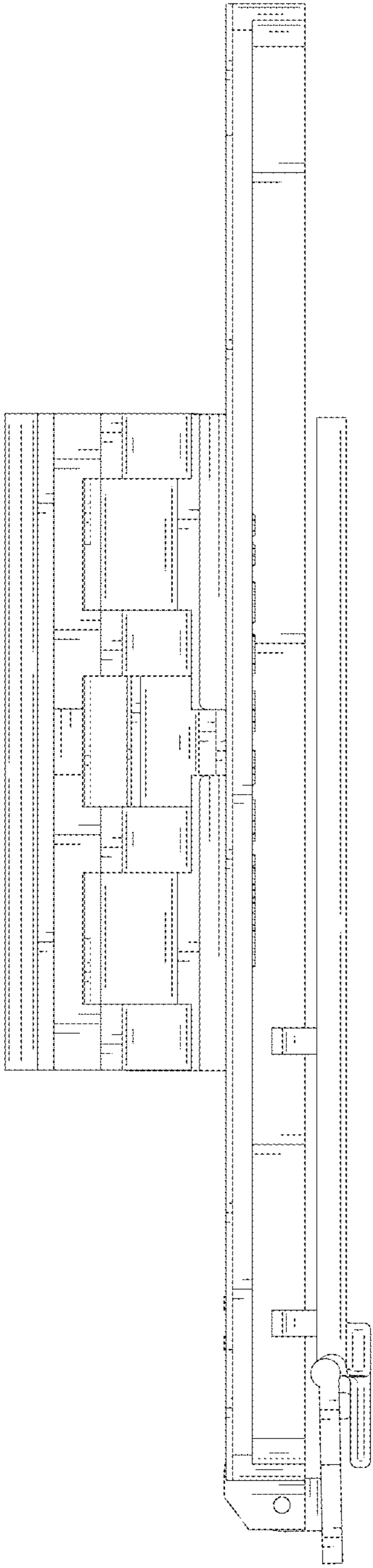


FIG. 3

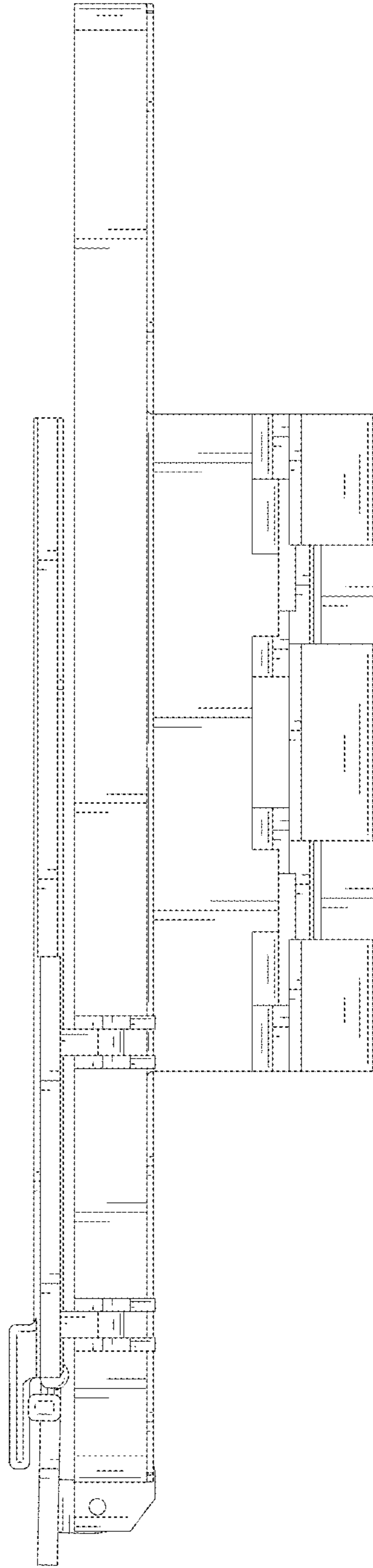


FIG. 4

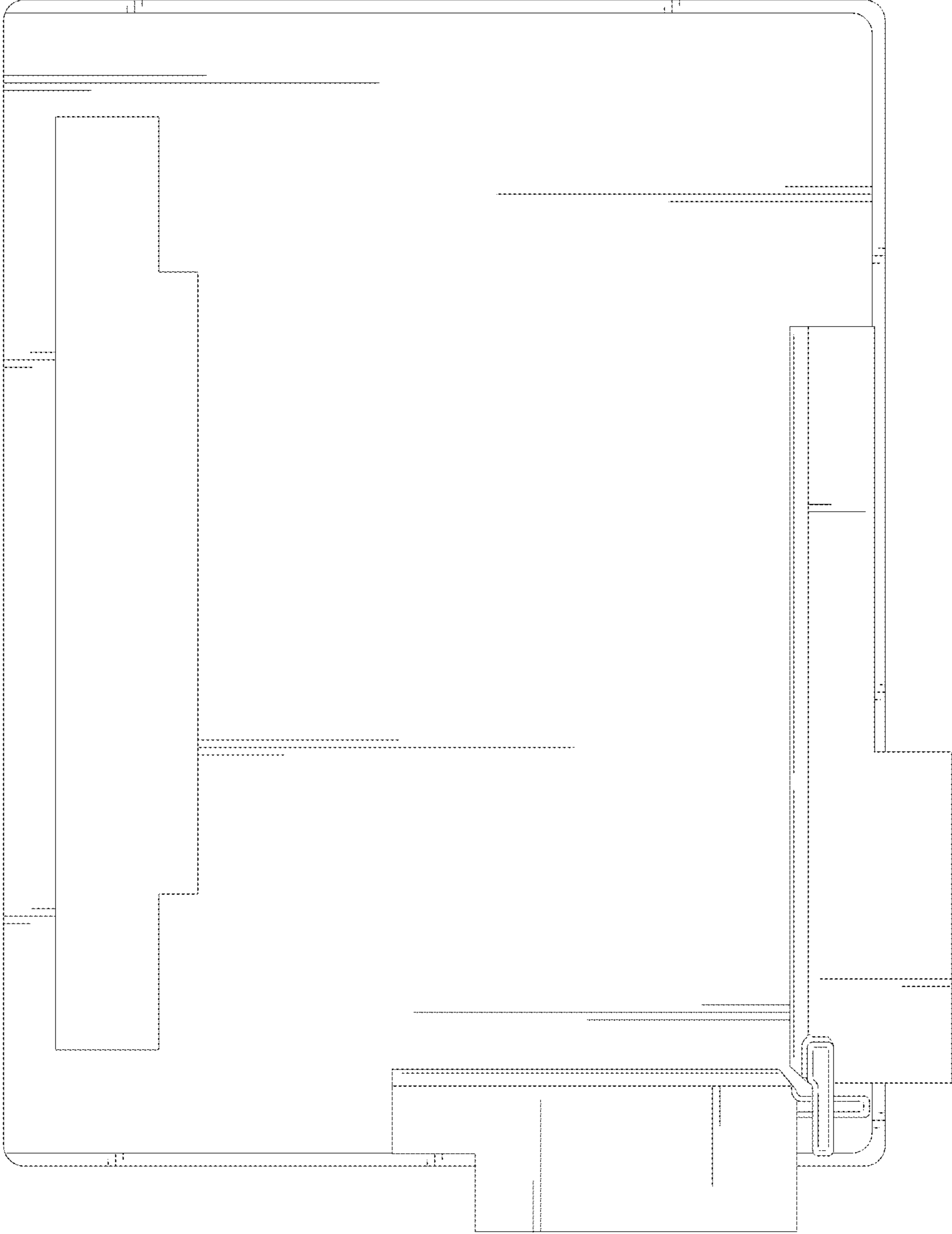


FIG. 5

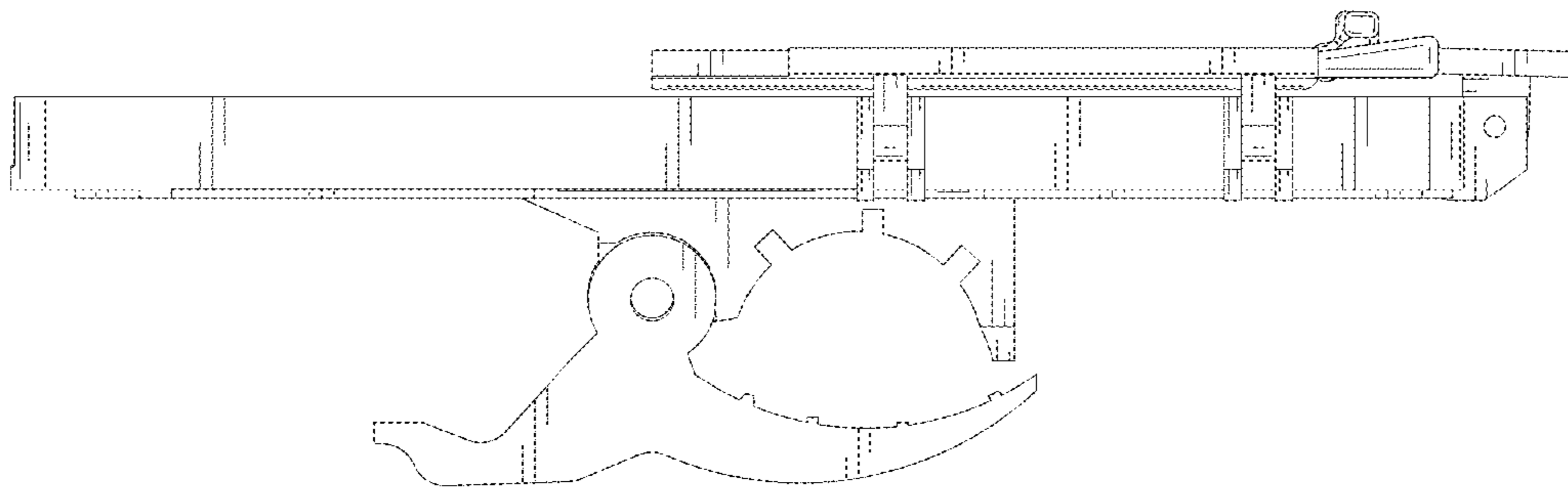


FIG. 7

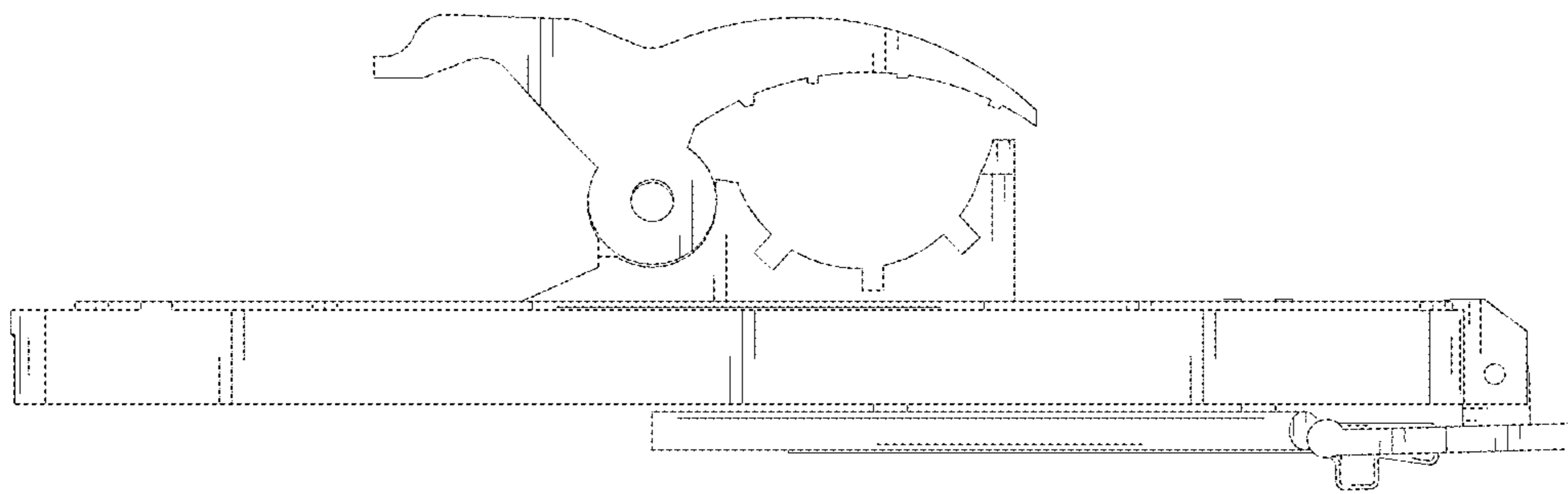


FIG. 6

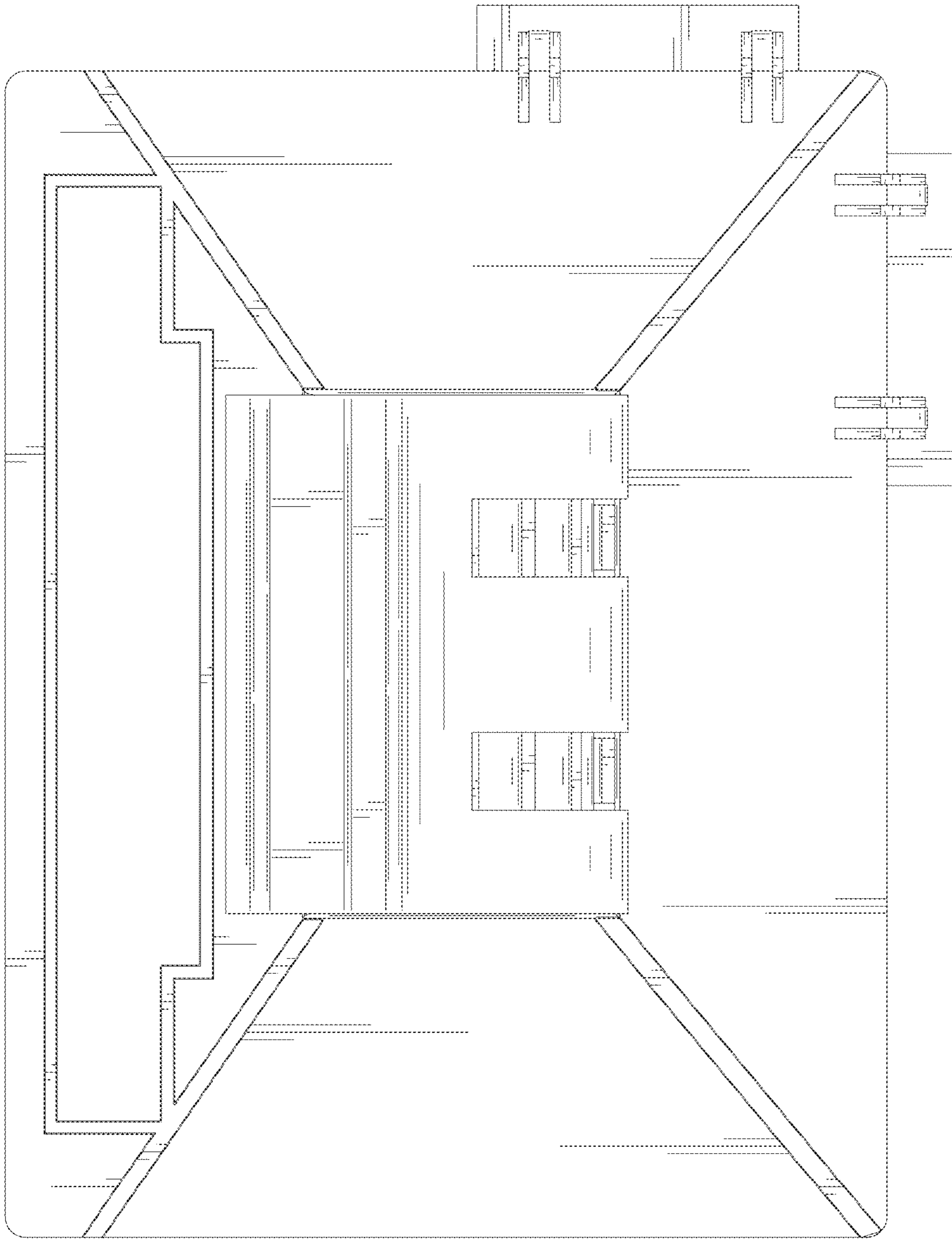


FIG. 8