



US00D769857S

(12) **United States Design Patent**
Shin et al.

(10) **Patent No.:** **US D769,857 S**

(45) **Date of Patent:** **** Oct. 25, 2016**

(54) **COVER WITH DISPLAY FOR MOBILE COMMUNICATIONS DEVICE**

Primary Examiner — Carla Jobe Wright

(74) *Attorney, Agent, or Firm* — Ladas & Parry LLP

(71) Applicant: **SAMSUNG ELECTRONICS CO., LTD.**, Suwon-si, Gyeonggi-do (KR)

(57) **CLAIM**

The ornamental design for a cover with display for mobile communications device, as shown and described.

(72) Inventors: **Changbong Shin**, Suwonsi (KR); **SungJin Park**, Seoul (KR); **JongIn Lee**, Suwonsi (KR)

DESCRIPTION

(73) Assignee: **SAMSUNG ELECTRONICS CO., LTD.**, Suwon-Si, Gyeonggi-Do (KR)

(**) Term: **15 Years**

(21) Appl. No.: **29/543,539**

(22) Filed: **Oct. 26, 2015**

Related U.S. Application Data

(62) Division of application No. 29/468,248, filed on Sep. 27, 2013, now Pat. No. Des. 754,643.

(51) **LOC (10) Cl.** **14-03**

(52) **U.S. Cl.**
USPC **D14/250**

(58) **Field of Classification Search**
USPC D14/238.1, 248, 250, 440, 203.3–203.7, D14/217, 240, 251–253, 447, 496; D3/201, D3/218, 247, 269, 273, 301, 303; D13/103, 107–108, 119

CPC A45C 1/06; A45C 11/00; A45C 13/02; A45C 2011/002; A45F 2005/026; A45F 2200/0525; A45F 2200/0516; H04B 1/3888; H04M 1/0283; H04M 1/0202

See application file for complete search history.

(56) **References Cited**

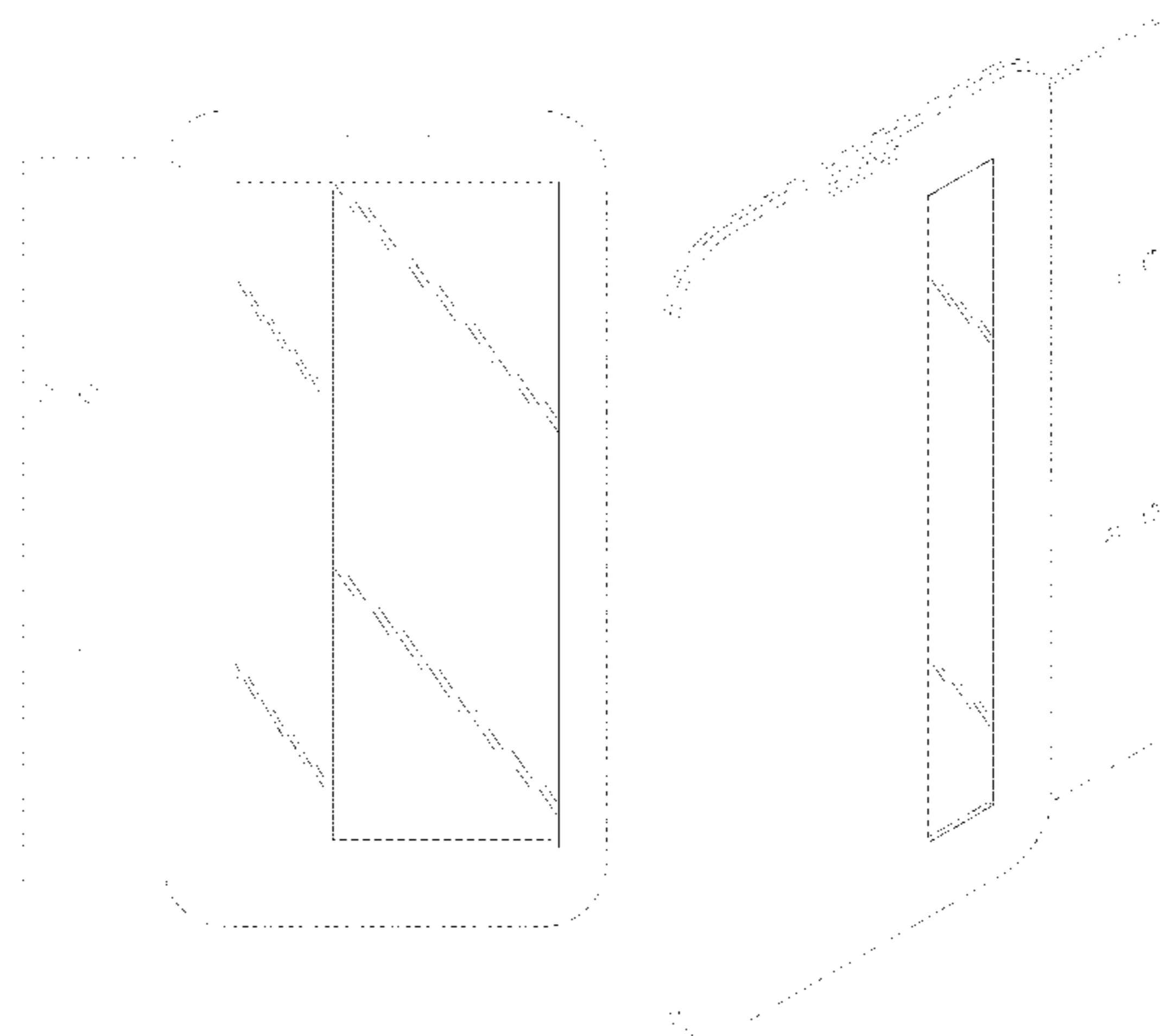
U.S. PATENT DOCUMENTS

D624,064 S *	9/2010	Esposito	D14/250
D662,922 S *	7/2012	Akana	D14/250
D678,261 S *	3/2013	Akana	D14/250
D685,779 S *	7/2013	Schriefer	D14/250

(Continued)

FIG. 1 is a front perspective view of a cover with display for mobile communications device showing our new design; FIG. 2 is a front view thereof; FIG. 3 is a rear view thereof; FIG. 4 is a left-side view thereof; FIG. 5 is a right-side view thereof; FIG. 6 is a top view thereof; FIG. 7 is a bottom view thereof; FIG. 8 is a rear perspective view thereof; FIG. 9 is a front perspective view of the cover with display for mobile communications device shown in an example environment; FIG. 10 is a front view of the cover with display for mobile communications device shown in an example environment; FIG. 11 is a front perspective view of another embodiment of a cover with display for mobile communications device showing our new design; FIG. 12 is a front view thereof; FIG. 13 is a rear view thereof; FIG. 14 is a left-side view thereof; FIG. 15 is a right-side view thereof; FIG. 16 is a top view thereof; FIG. 17 is a bottom view thereof; FIG. 18 is a rear perspective view thereof; FIG. 19 is a front perspective view of the cover with display for mobile communications device shown in an example environment; and, FIG. 20 is a front view of the cover with display for mobile communications device shown in an example environment. The broken lines depict environmental structure that forms no part of the claimed design.

1 Claim, 20 Drawing Sheets



(56)

References Cited

U.S. PATENT DOCUMENTS

D686,626 S *	7/2013	Tan	D14/440	2011/0294542 A1*	12/2011	Ray	H04B 1/3888
8,489,158 B2*	7/2013	Hum	B44C 1/228					455/556.1
				174/50	2012/0031914 A1*	2/2012	Liu	A45C 11/00
D691,124 S *	10/2013	Yang	D14/250					220/662
D697,060 S *	1/2014	Yang	D14/250	2012/0087100 A1*	4/2012	Ku	G06F 1/1613
D697,504 S *	1/2014	Yang	D14/250					361/807
D704,181 S *	5/2014	Stevinson	D14/250	2012/0153116 A1*	6/2012	Harrison	A47B 23/044
8,763,795 B1*	7/2014	Oten	A45C 11/00					248/460
				206/320	2012/0220340 A1*	8/2012	Sirpal	G06F 1/1616
D713,834 S *	9/2014	Almstrom	D14/250					455/566
D723,531 S *	3/2015	Katzke	D14/250	2013/0329115 A1*	12/2013	Palmeri	A45C 11/00
D724,069 S *	3/2015	Kyum	D14/250					348/335
D746,803 S *	1/2016	Kim	D14/250	2014/0008248 A1*	1/2014	Thoni	H05K 5/0086
D751,541 S *	3/2016	Kim	D14/250					206/37
2011/0155630 A1*	6/2011	Qin	A45C 11/00	2014/0204511 A1*	7/2014	Oh	G06F 1/1632
				206/701					361/679.01
					2014/0332417 A1*	11/2014	Wicks	H04B 1/3888
									206/37

* cited by examiner

FIG. 1

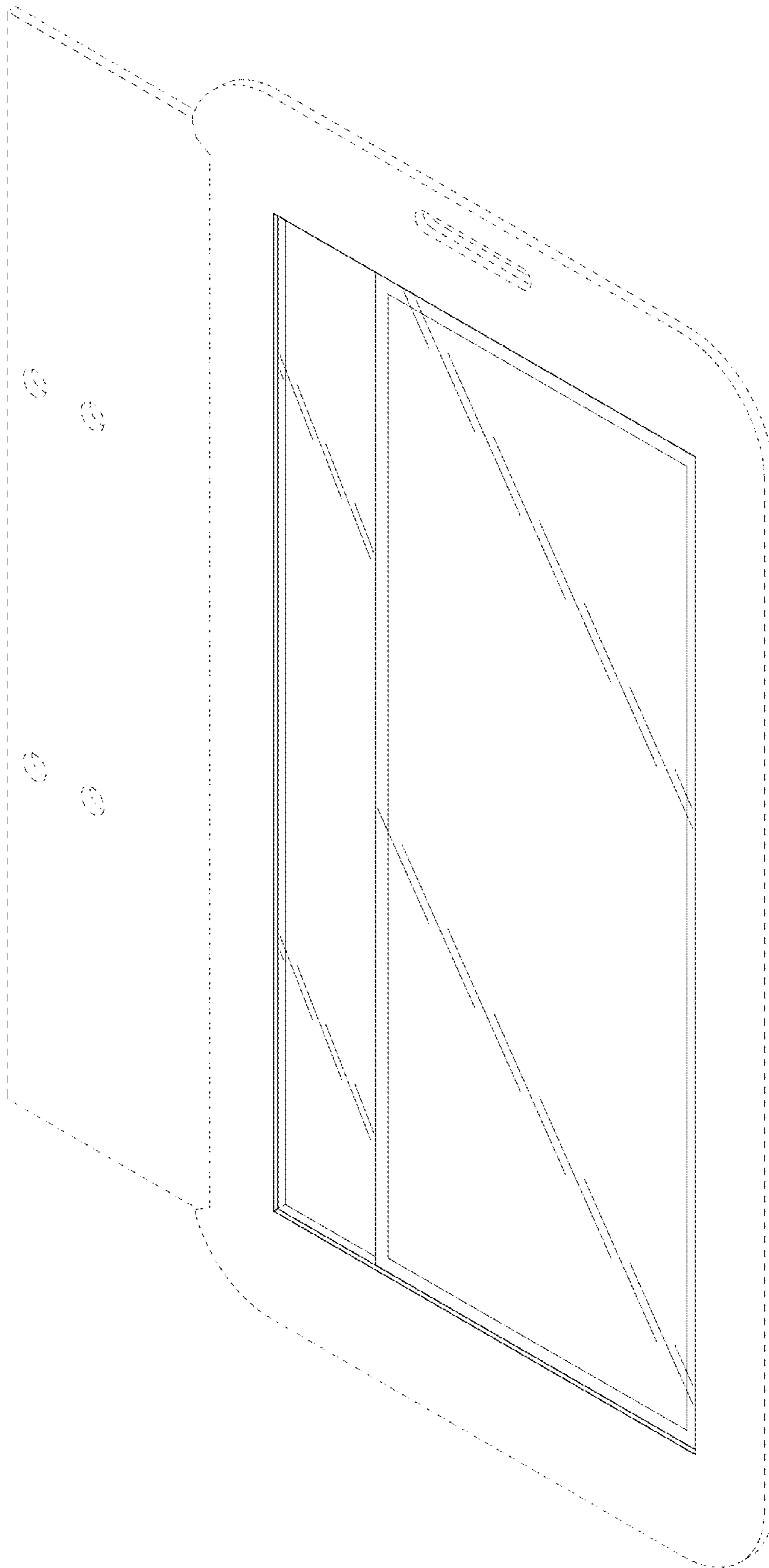


FIG.2

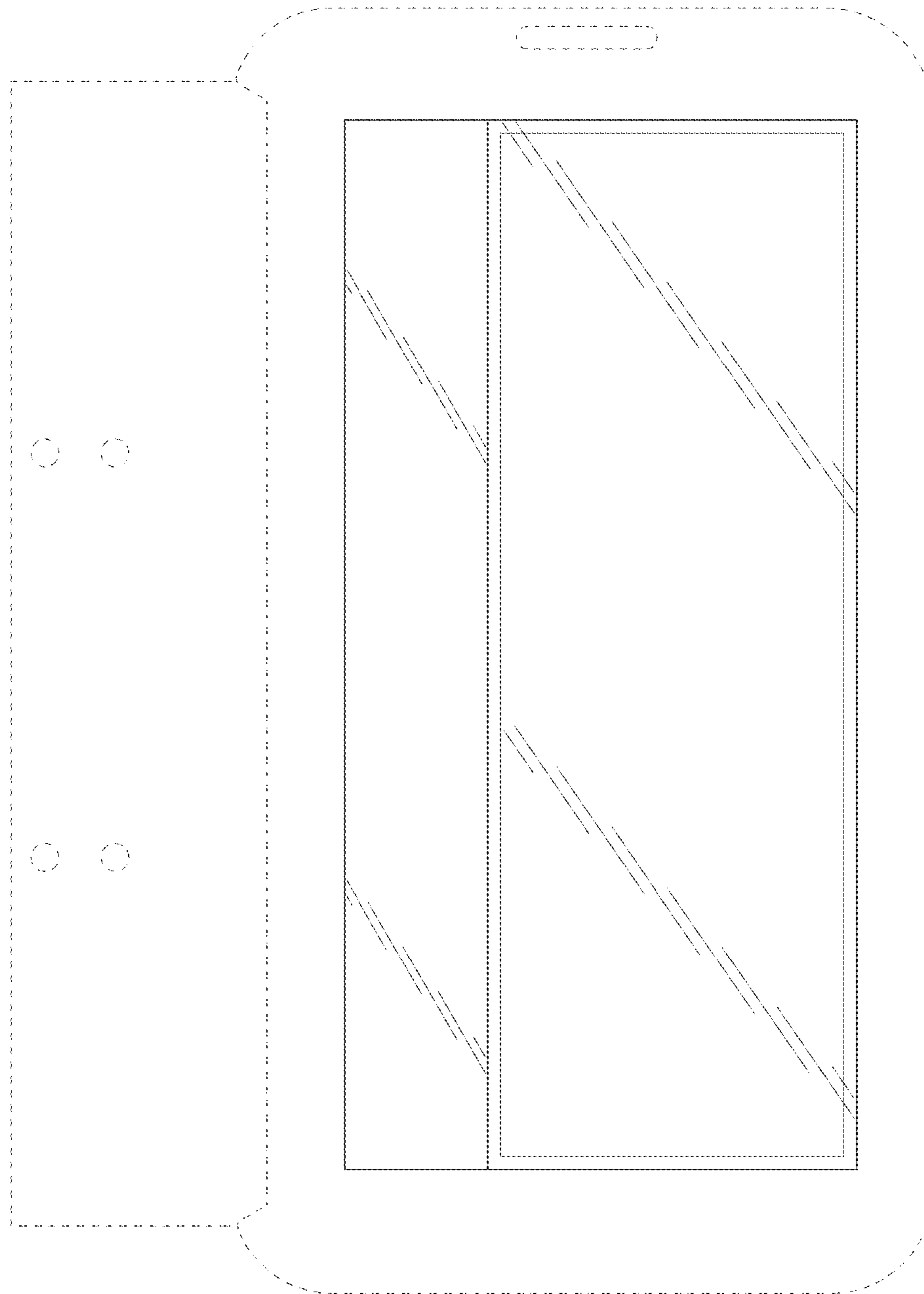


FIG.3

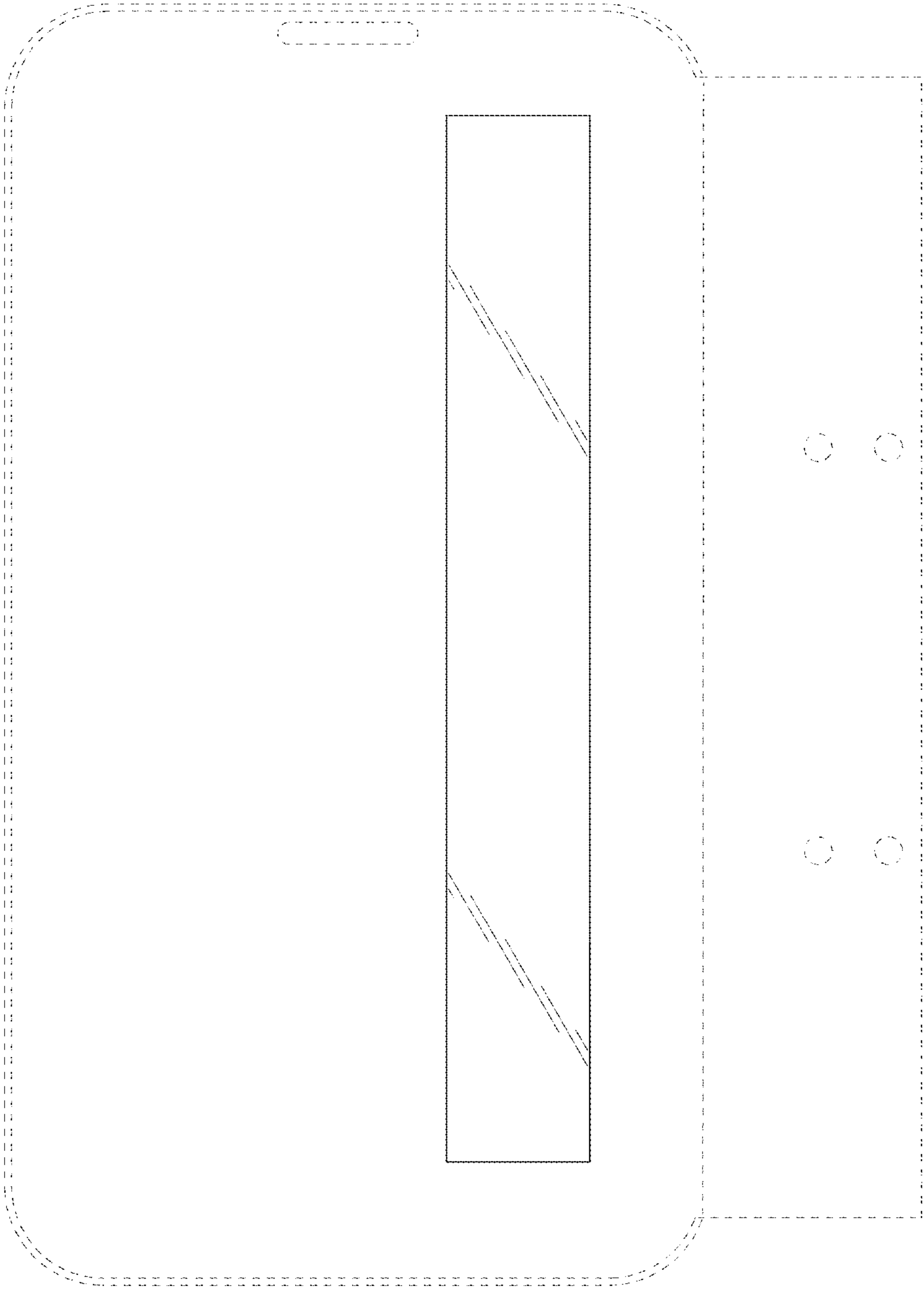


FIG.4

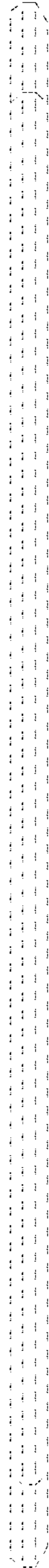


FIG.5



FIG.6

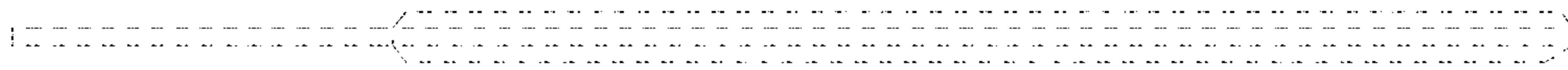


FIG.7



FIG. 8

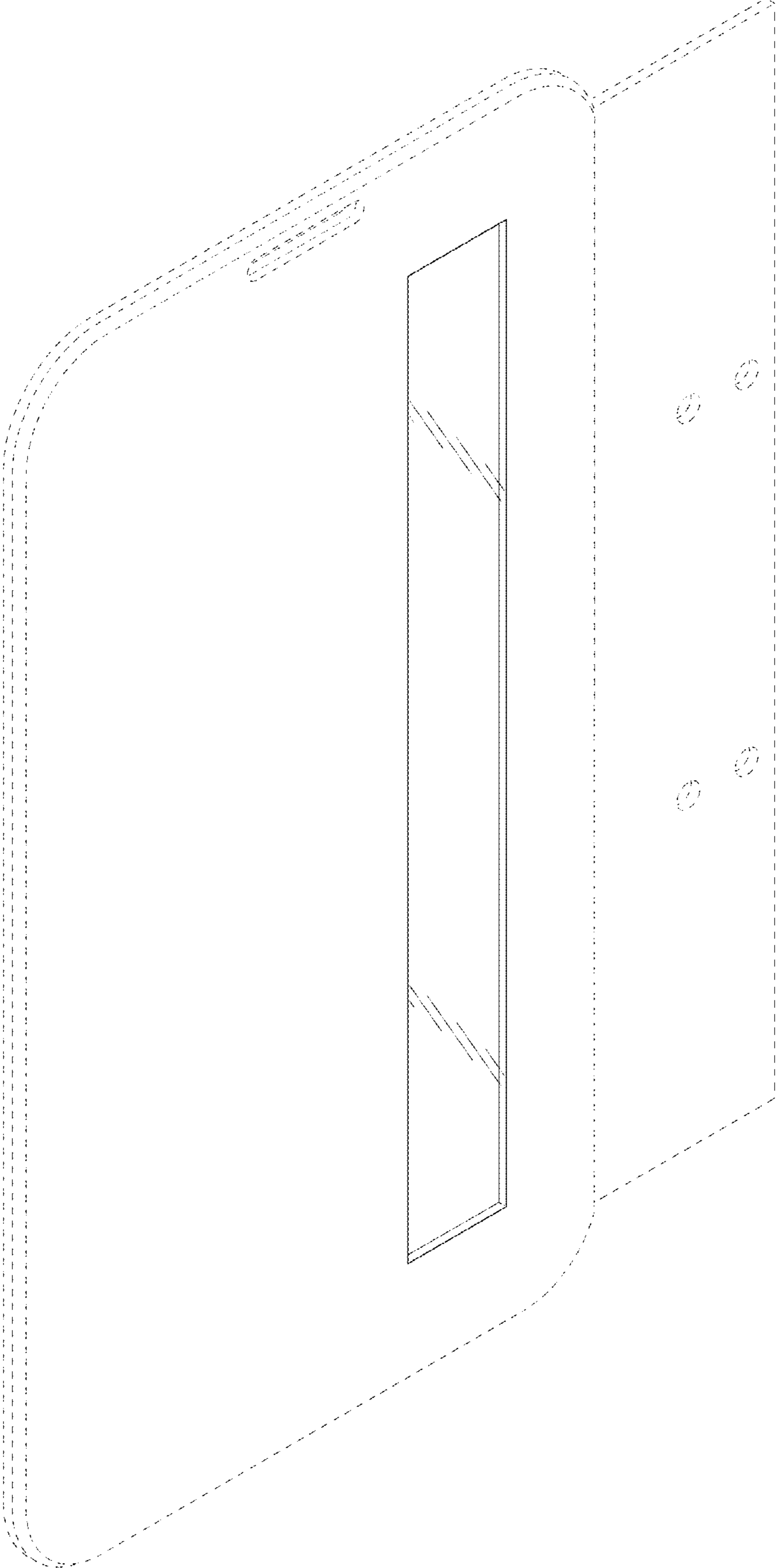


FIG. 9

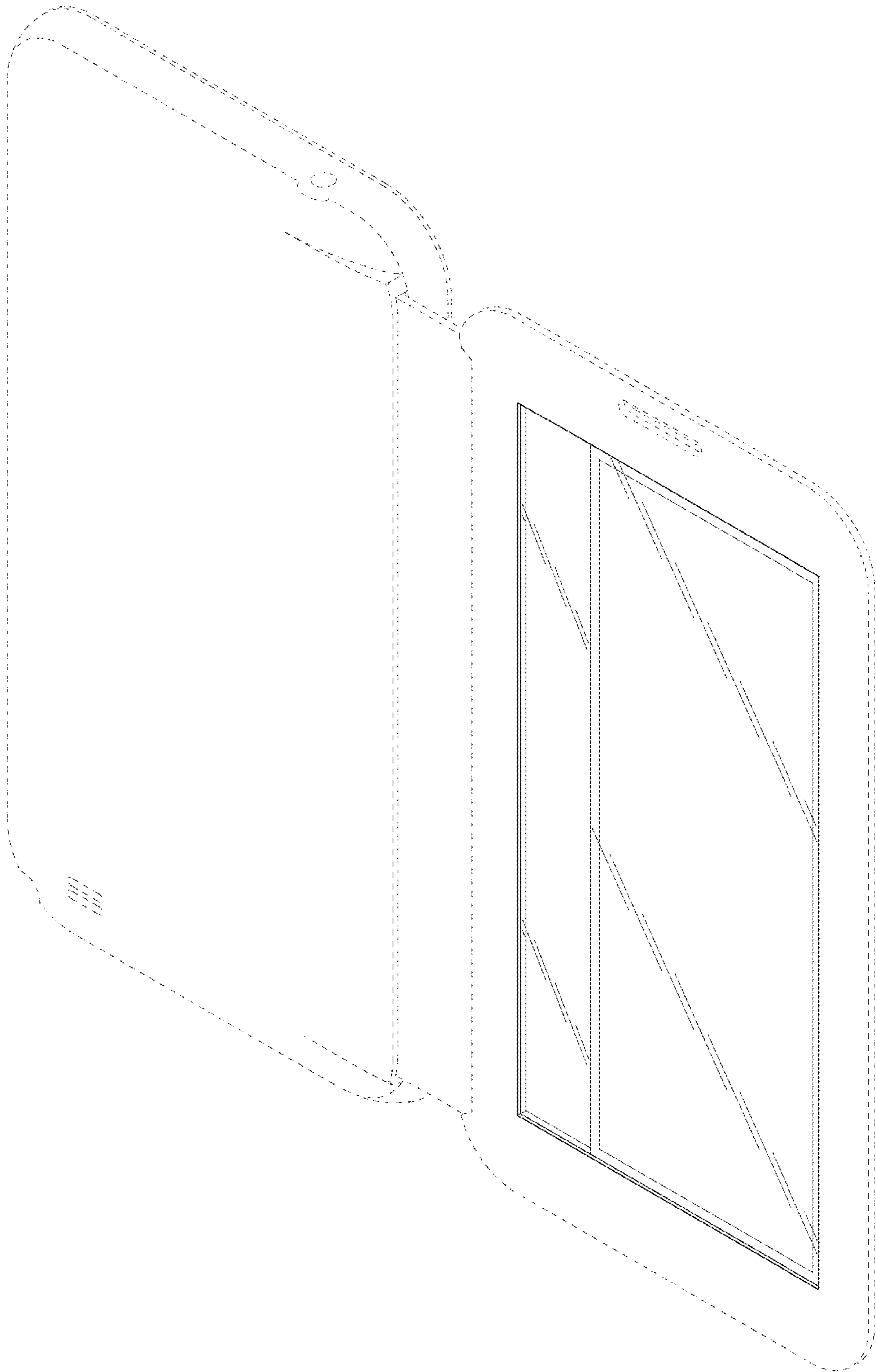


FIG.10

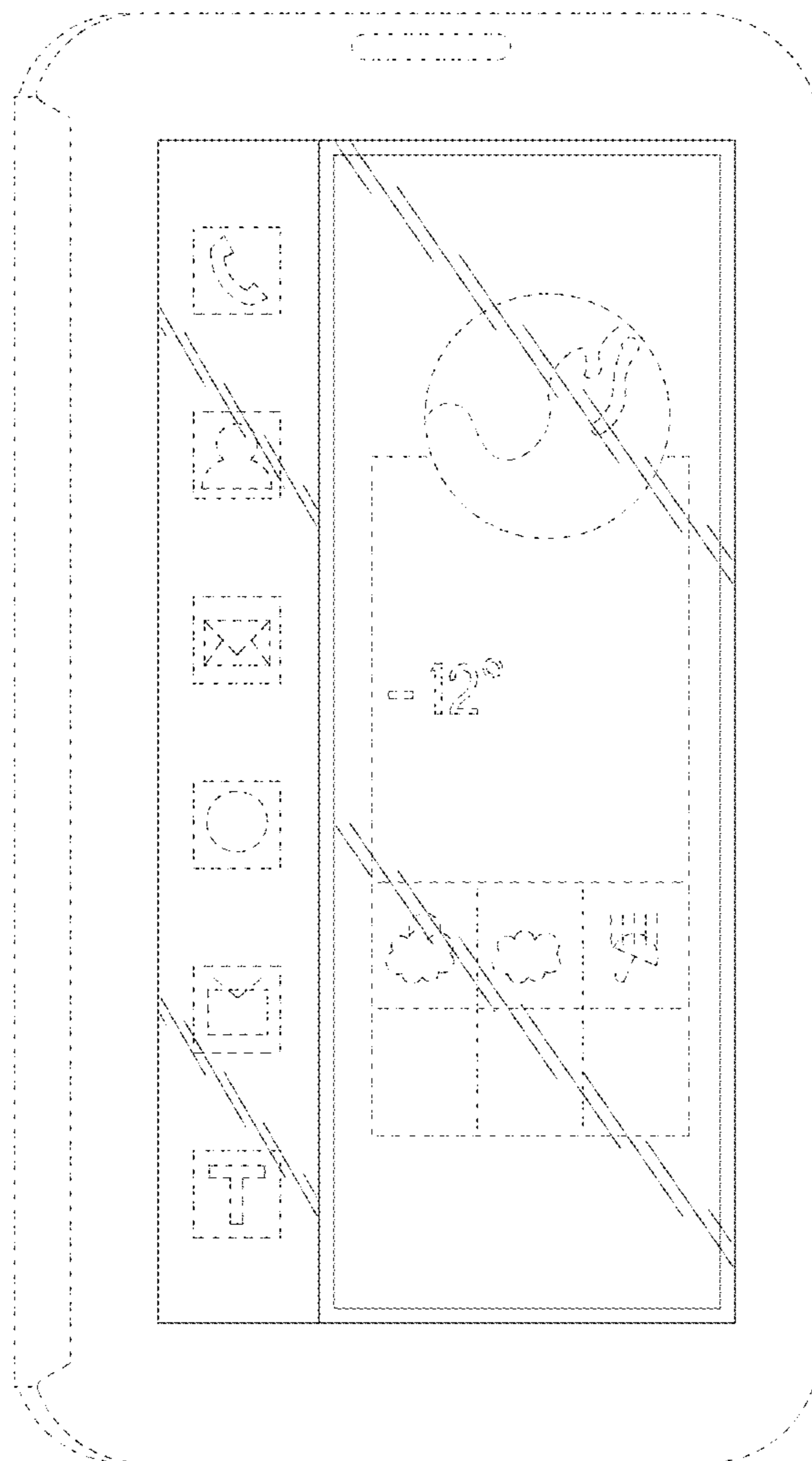


FIG.11

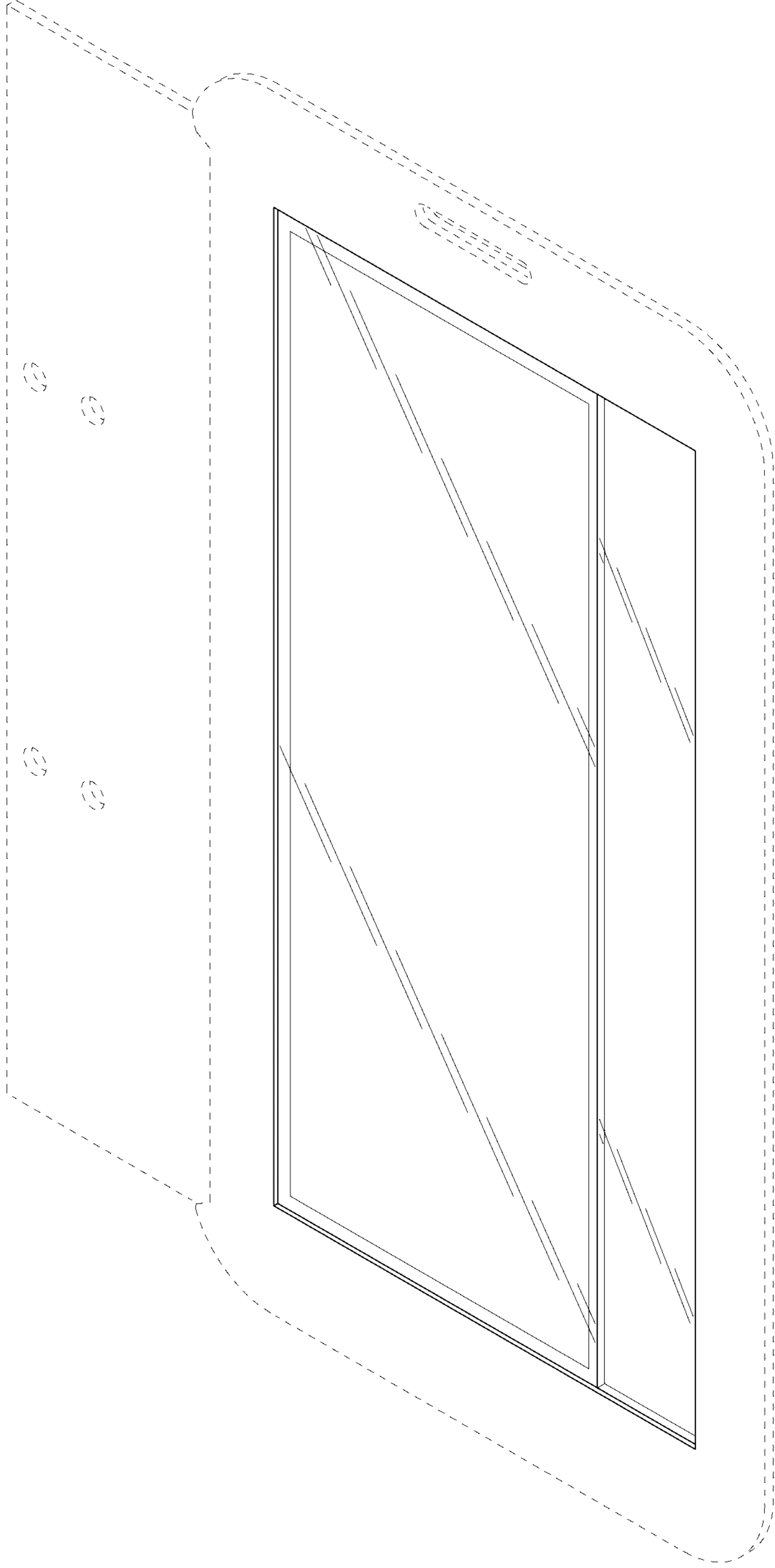


FIG.12

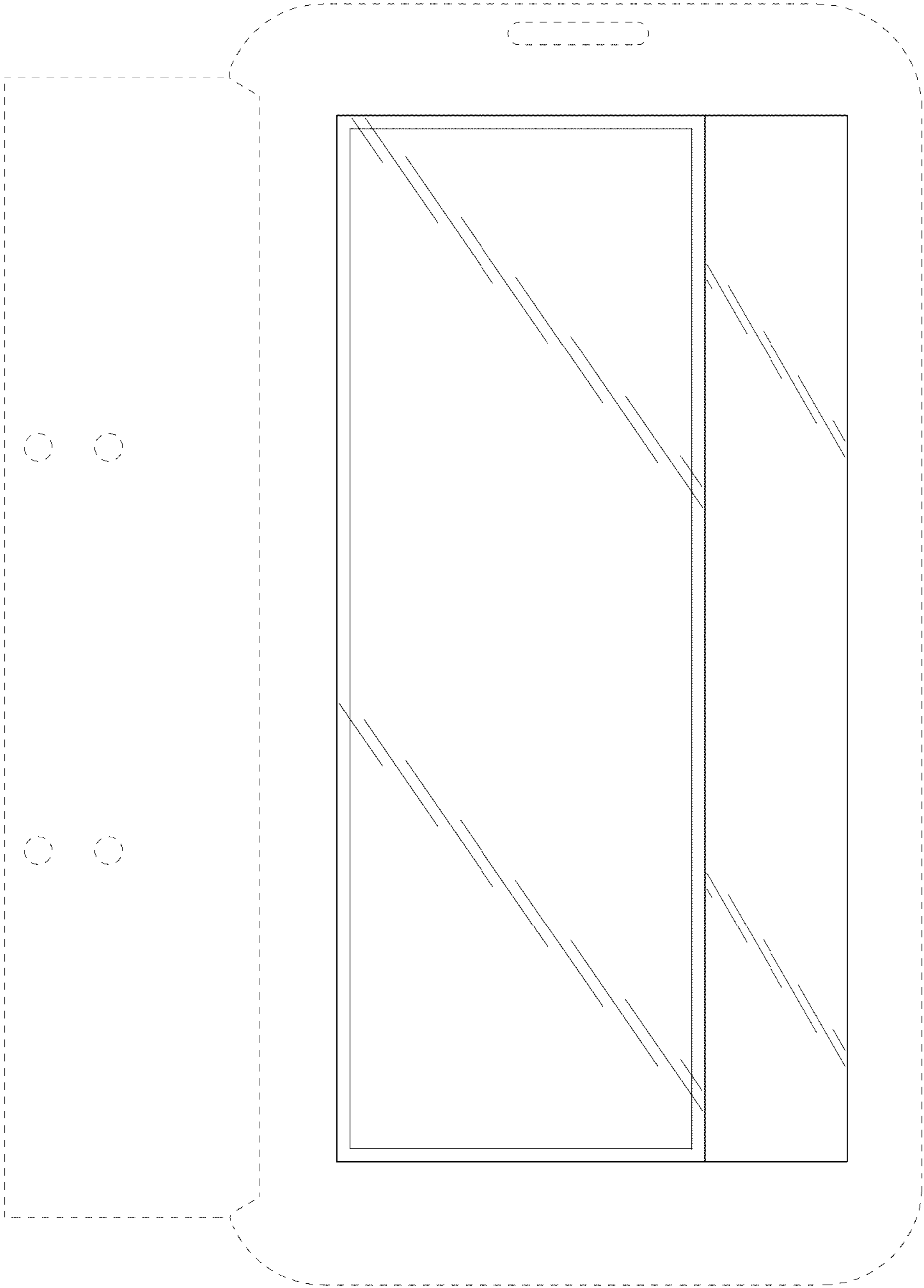


FIG.13

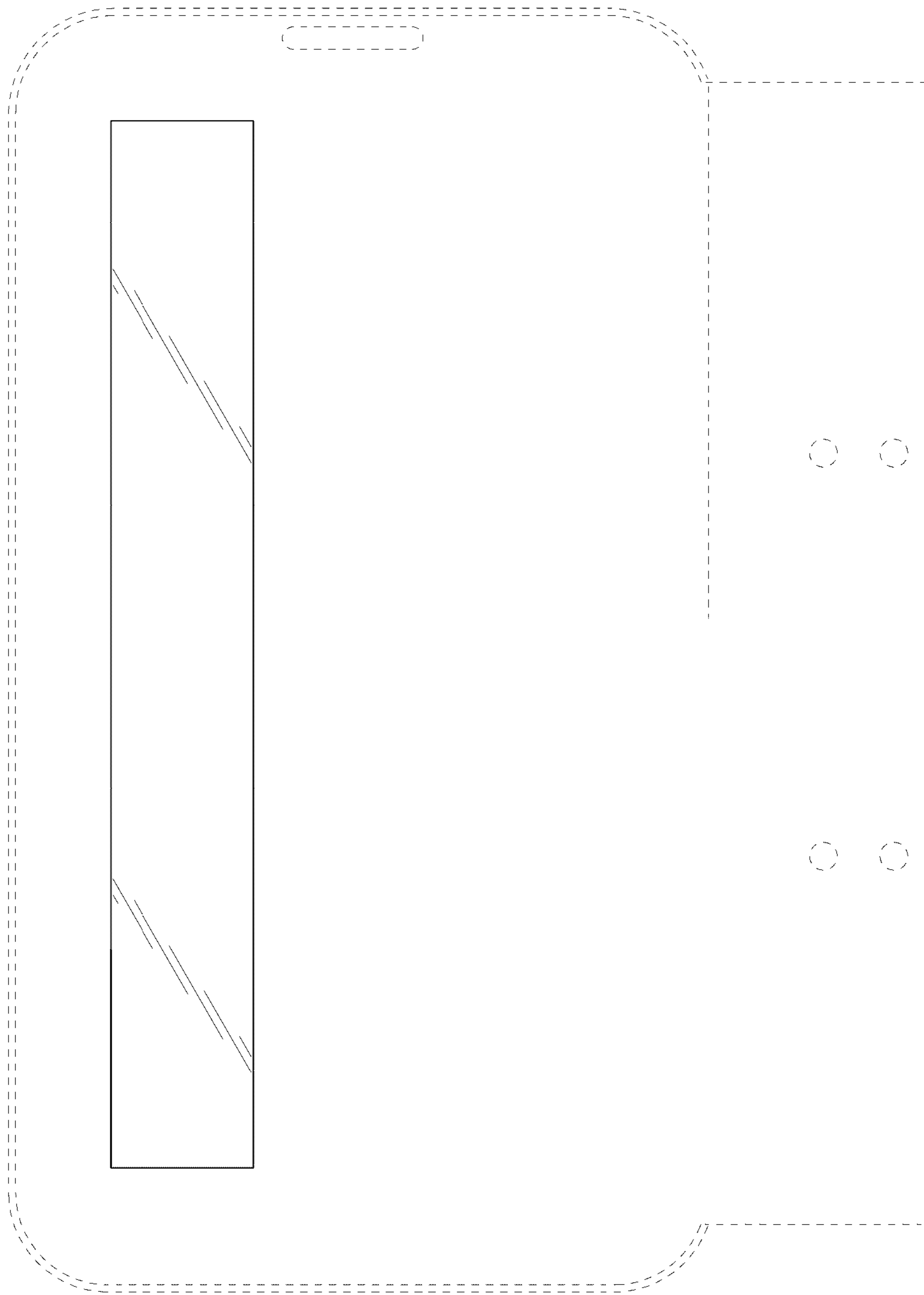


FIG.14



FIG.15



FIG.16



FIG.17



FIG.18

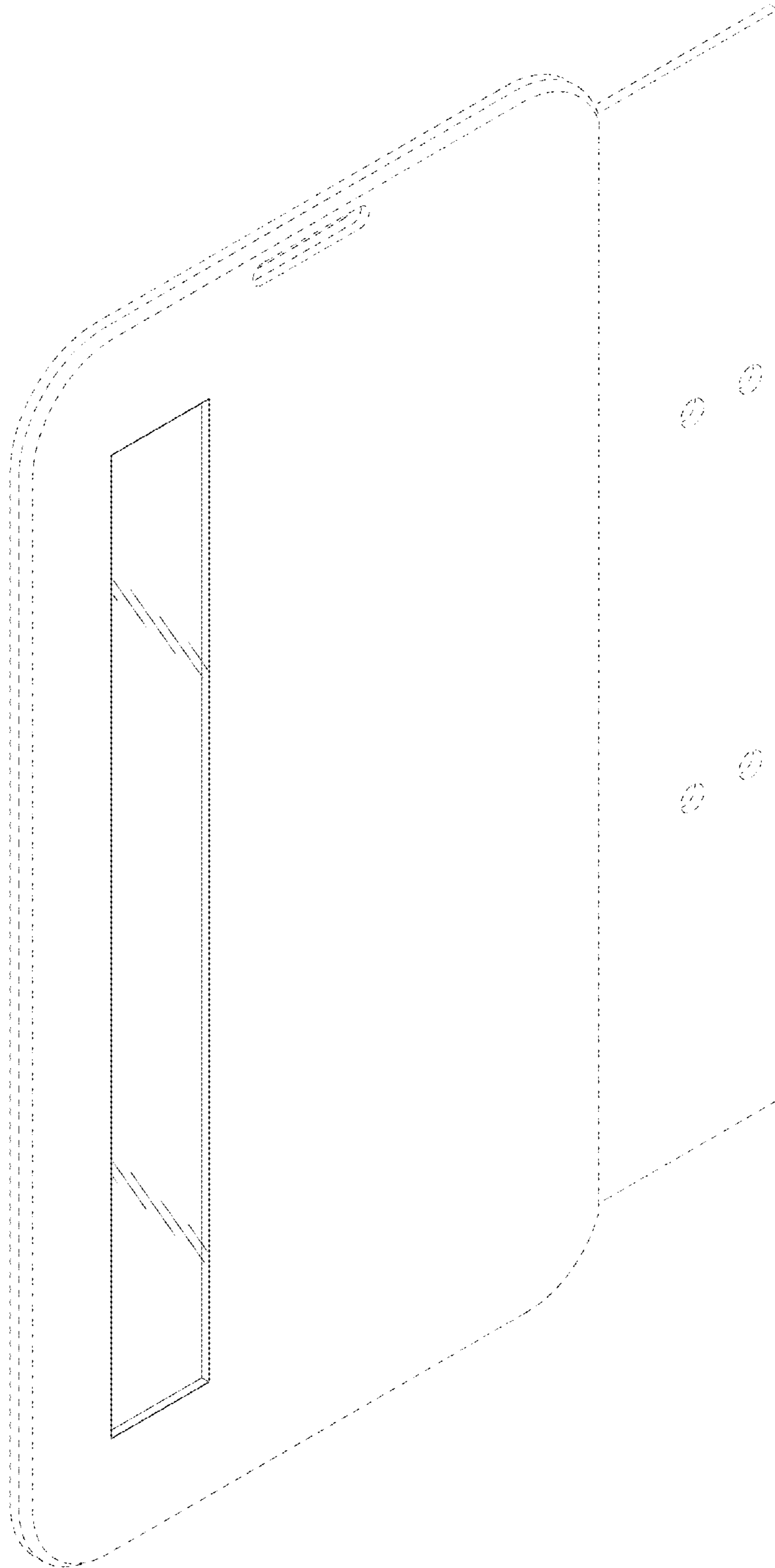


FIG. 19

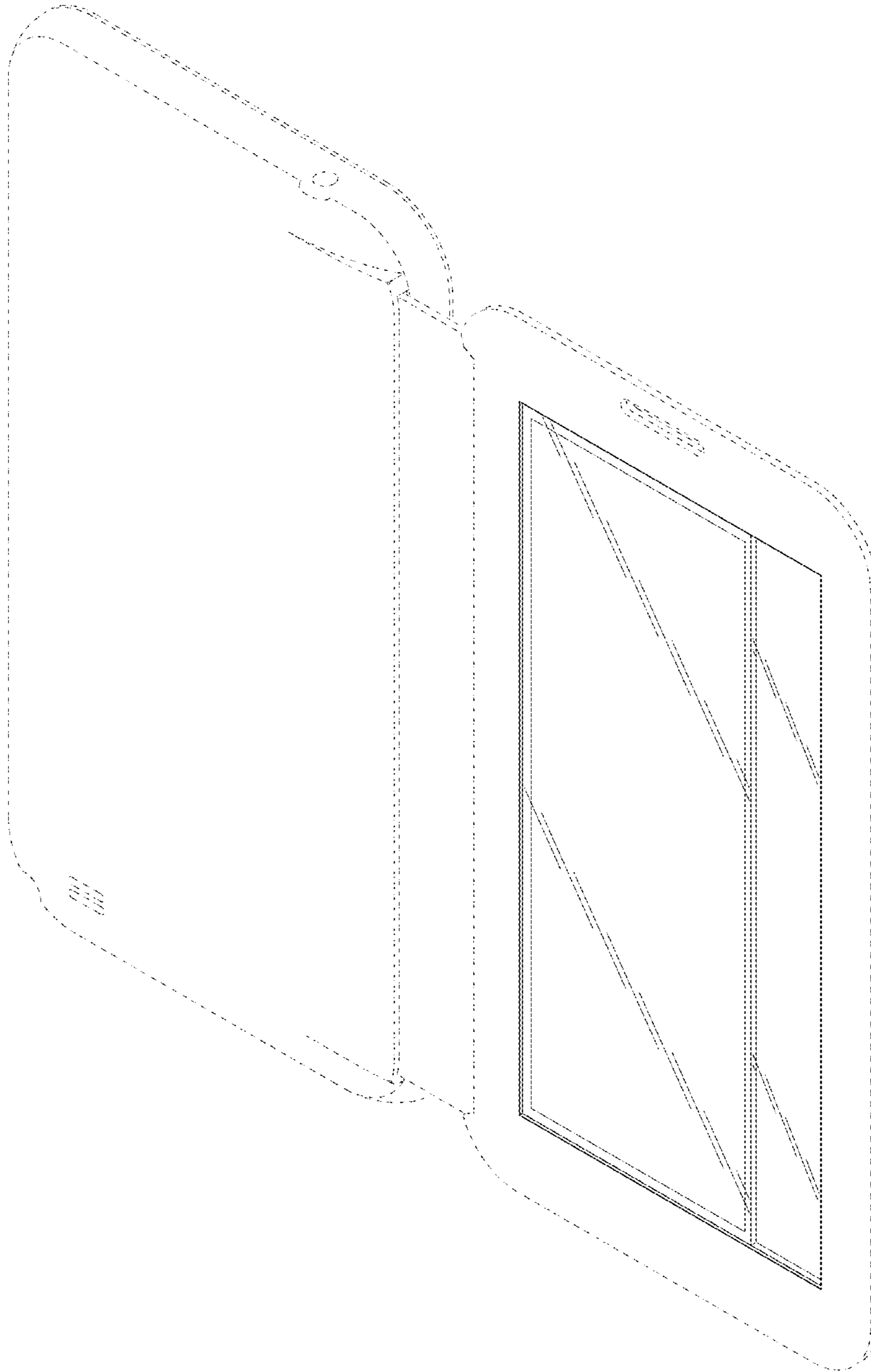


FIG.20

