



US00D769855S

(12) **United States Design Patent**
Deng

(10) **Patent No.:** **US D769,855 S**
(45) **Date of Patent:** **** Oct. 25, 2016**

(54) **CASE WITH BOTTLE CAP OPENER FOR
HANDHELD ELECTRONIC
COMMUNICATIONS DEVICE**

(71) Applicant: **Hongchu Deng**, Guangzhou (CN)

(72) Inventor: **Hongchu Deng**, Guangzhou (CN)

(**) Term: **15 Years**

(21) Appl. No.: **29/533,552**

(22) Filed: **Jul. 18, 2015**

(51) **LOC (10) Cl.** **14-03**

(52) **U.S. Cl.**
USPC **D14/250**

(58) **Field of Classification Search**
USPC D14/238.1, 440, 203.3–203.7, 217, 240,
D14/248, 251–253, 447, 496, 250; D3/201,
D3/218, 247, 269, 273, 301, 303;
D13/103, 107–108, 119; D8/40
CPC H04B 1/3888; H04M 1/0283; H04M
1/0202; A45C 1/06; A45C 11/00; A45C
13/02; A45C 2011/002; A45F 2005/026;
A45F 2200/0525; A45F 2200/0516
See application file for complete search history.

(56) **References Cited**

U.S. PATENT DOCUMENTS

D335,432	S *	5/1993	Vaughan	D8/34
7,494,239	B2 *	2/2009	Riccardi	H04M 1/04 362/109
8,078,240	B2 *	12/2011	Chang	B67B 7/16 455/575.4
D654,068	S *	2/2012	Monaco	D14/250
D670,279	S *	11/2012	Veltz	D14/250
D682,815	S *	5/2013	Chang	D14/250
D685,620	S *	7/2013	Wysoczynski	D8/18
D694,743	S *	12/2013	Monaco	D14/250
D706,754	S *	6/2014	Goradesky	D14/250
D718,289	S *	11/2014	Brand	D14/250
D718,290	S *	11/2014	Whitten	D14/250
D724,069	S *	3/2015	Kyum	D14/250
D726,170	S *	4/2015	Ng	D14/250

9,060,580	B2 *	6/2015	Tages	A45C 11/00
D742,061	S *	10/2015	Chen	D27/142
9,176,532	B2 *	11/2015	Tages	H04B 1/3888
D746,801	S *	1/2016	Pan	D14/250
2006/0146483	A1 *	7/2006	Patino	H05K 5/0086 361/600
2011/0136555	A1 *	6/2011	Ramies	B67B 7/16 455/575.8
2011/0253569	A1 *	10/2011	Lord	B65D 25/20 206/320
2012/0325882	A1 *	12/2012	Tages	A45F 5/021 224/676
2013/0111711	A1 *	5/2013	Haase	A45F 5/00 24/307
2014/0243054	A1 *	8/2014	LaColla	H04M 1/04 455/575.8
2014/0252786	A1 *	9/2014	Singhal	G06F 1/1626 294/137
2015/0068934	A1 *	3/2015	Armstrong	A45C 11/00 206/320
2015/0156900	A1 *	6/2015	Yeh	H04B 1/3888 312/223.1

* cited by examiner

Primary Examiner — Carla Jobe Wright

(74) *Attorney, Agent, or Firm* — Novoclaims Patent
Services LLC; Mei Lin Wong

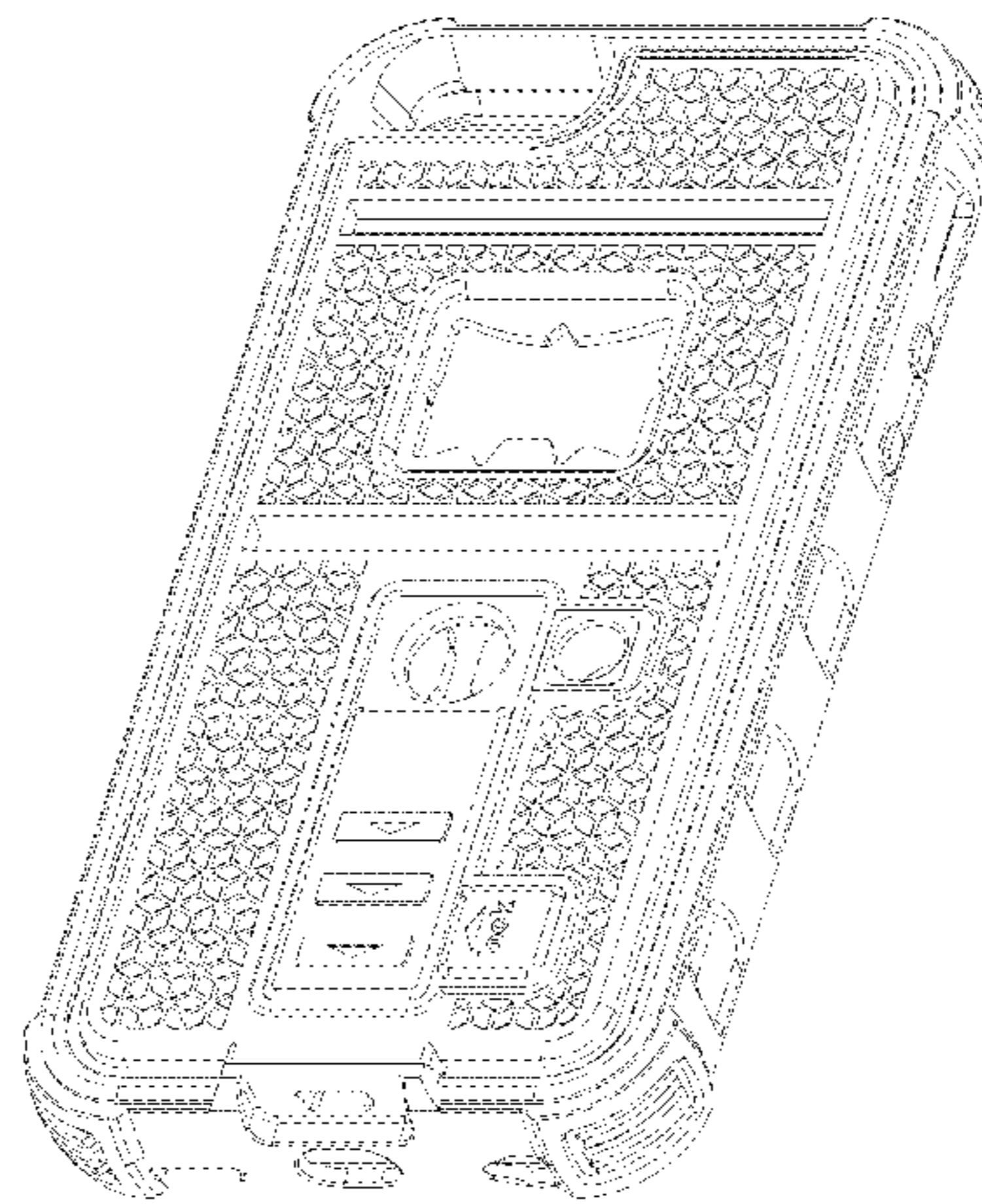
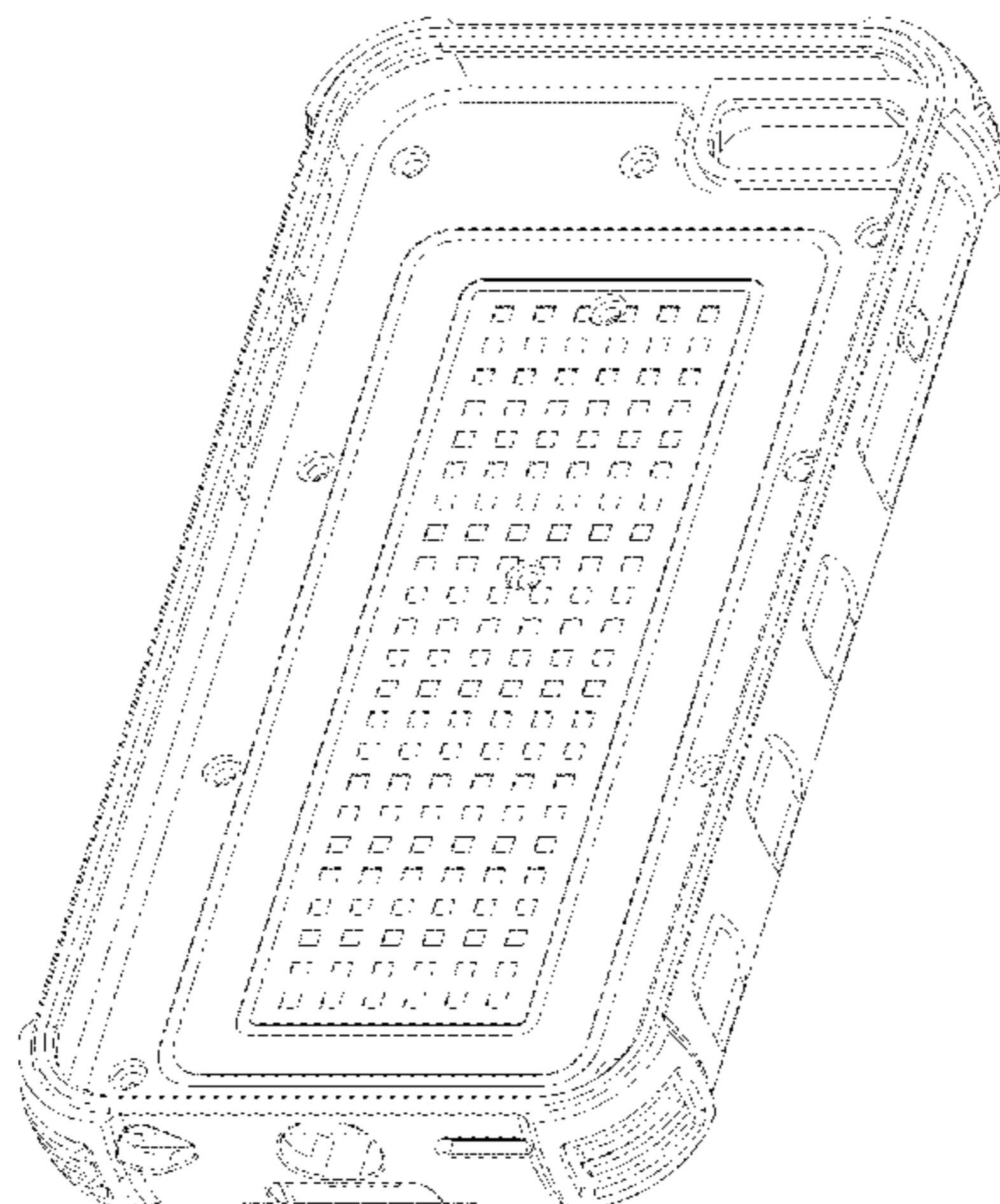
(57) **CLAIM**

The ornamental design for a case with bottle cap opener for handheld electronic communications device, substantially as shown and described.

DESCRIPTION

FIG. 1 is a rear view of a case with bottle cap opener for handheld electronic communications device in accordance with the present invention.
FIG. 2 is a front view thereof.
FIG. 3 is a left end view thereof.
FIG. 4 is a right end view thereof.
FIG. 5 is a bottom view thereof.
FIG. 6 is a top view thereof.
FIG. 7 is a front perspective view thereof; and,
FIG. 8 is a rear perspective view thereof.

1 Claim, 8 Drawing Sheets



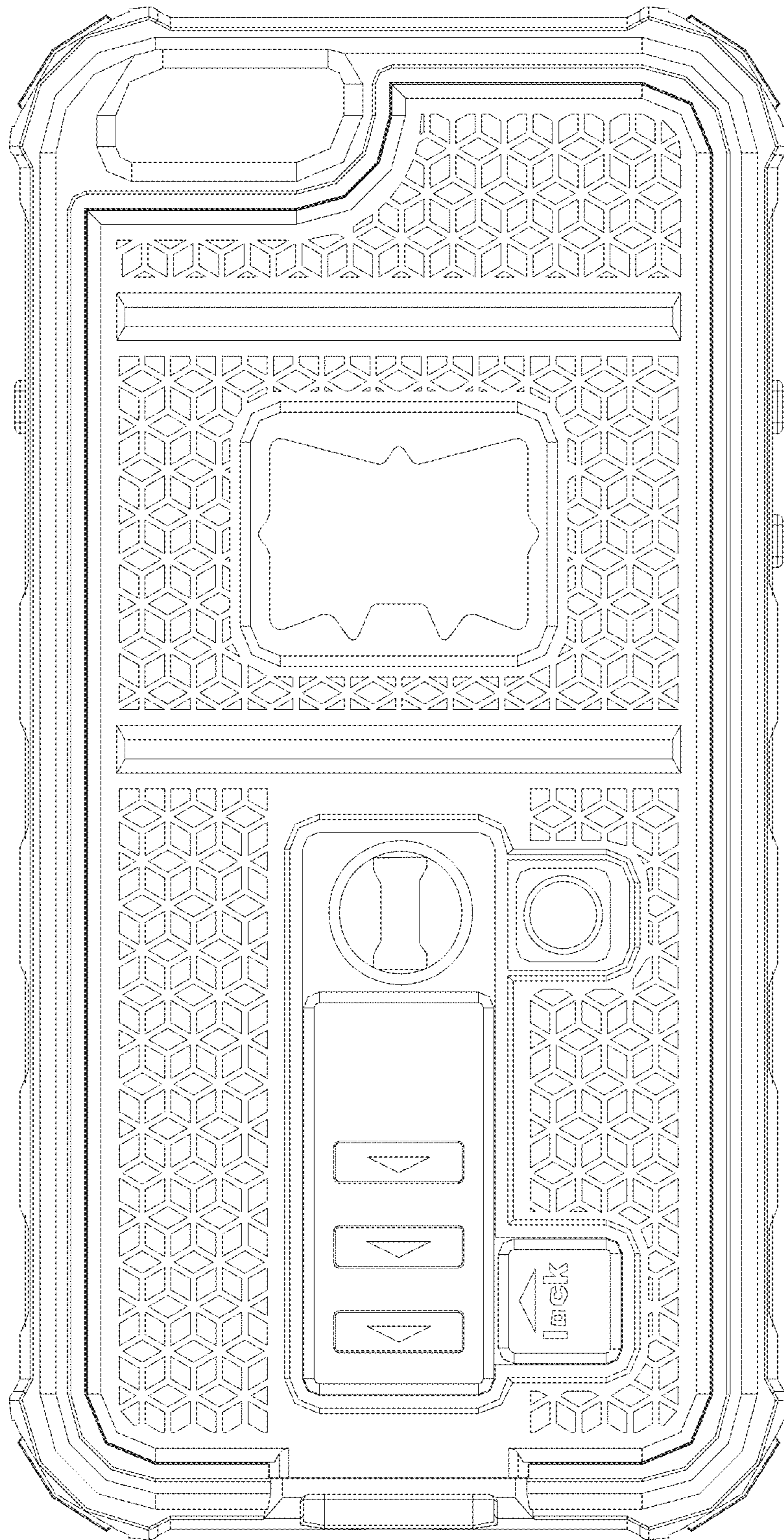


FIG.1

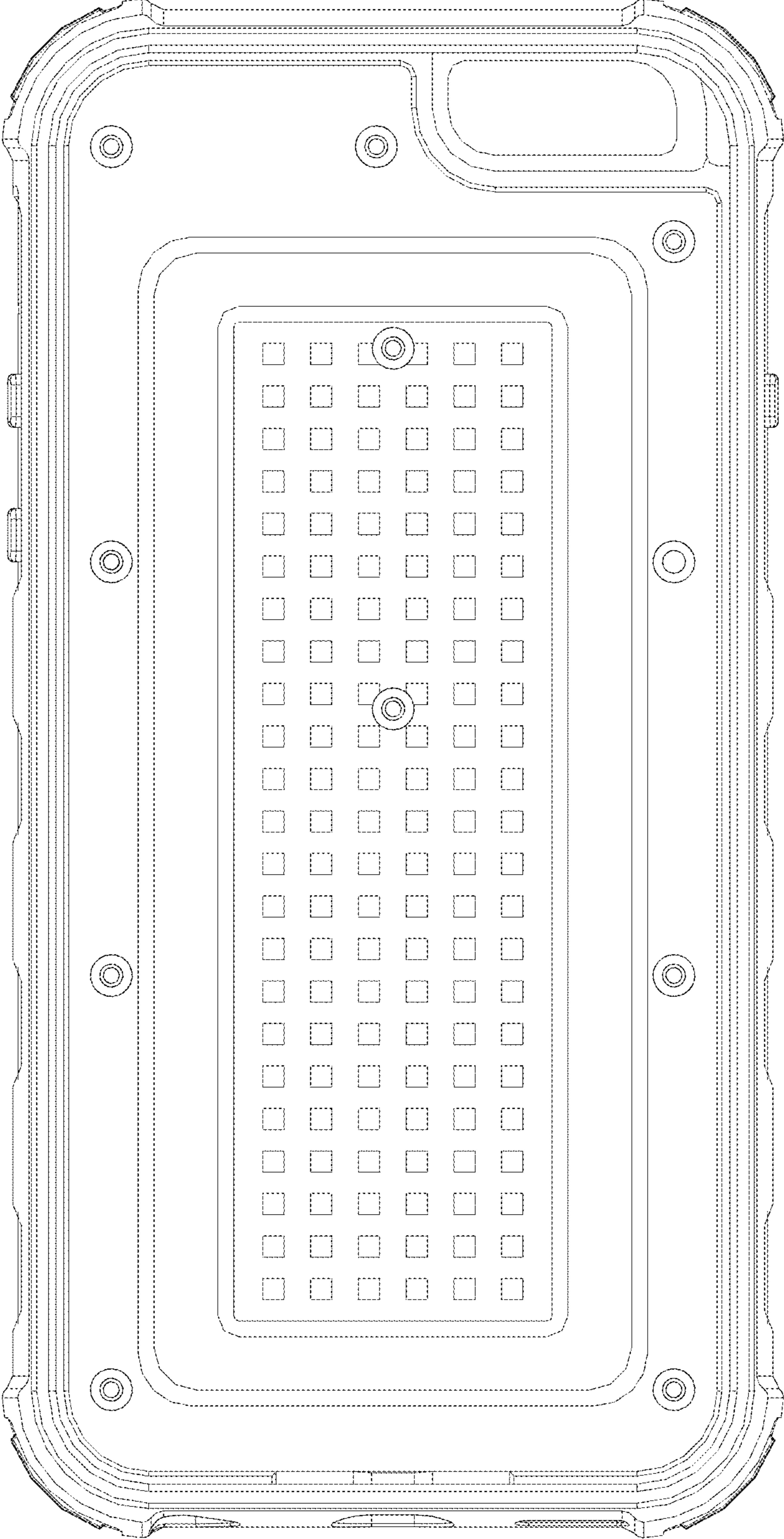


FIG.2

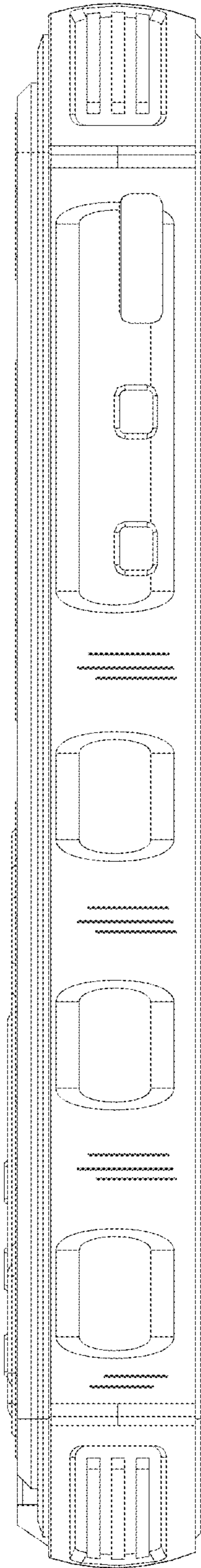


FIG.3

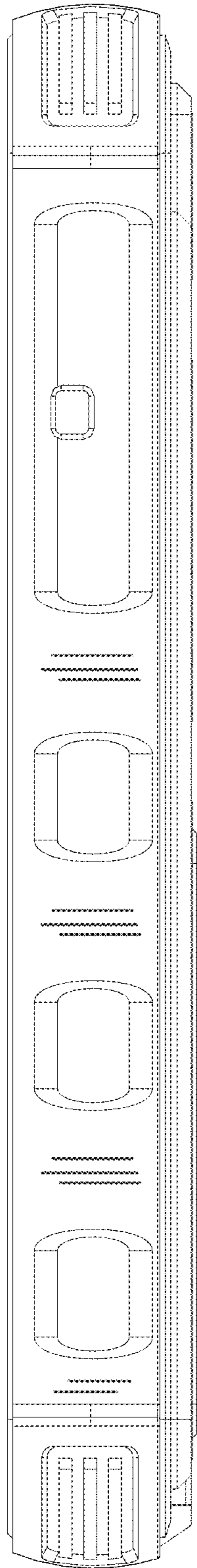


FIG.4

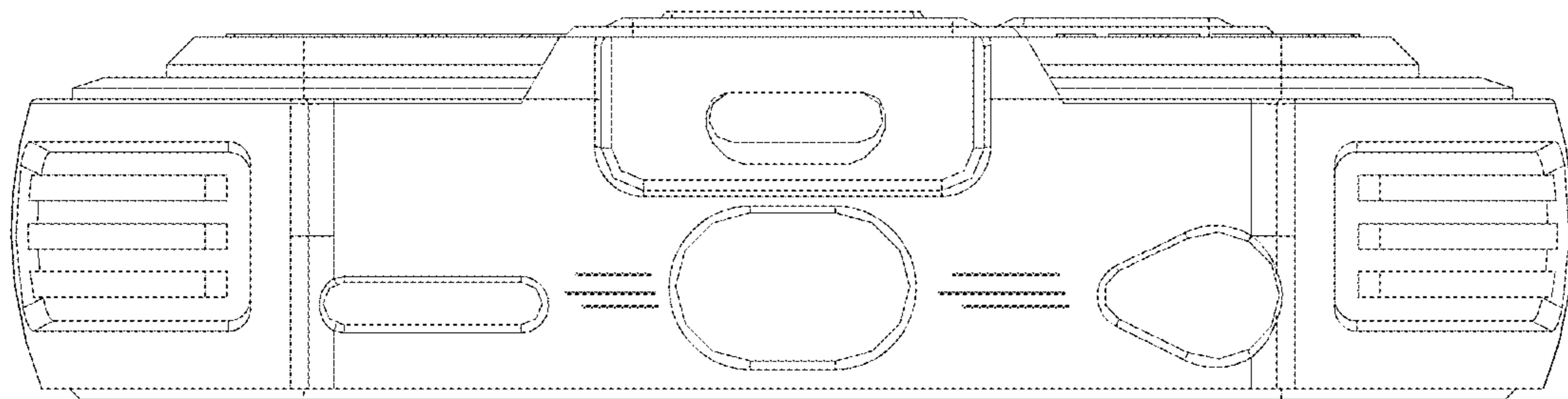


FIG.5

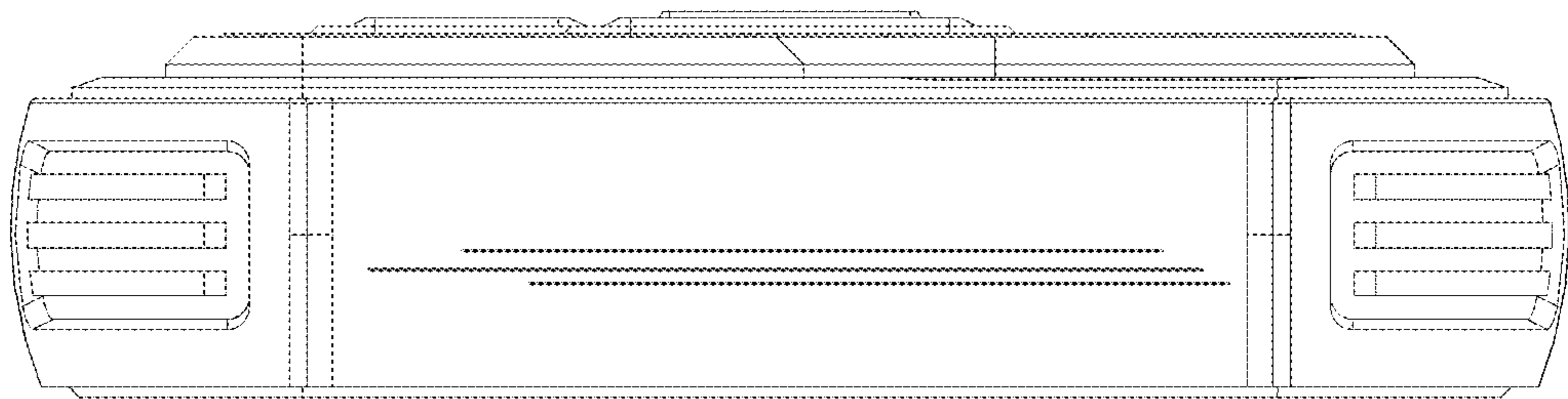


FIG.6

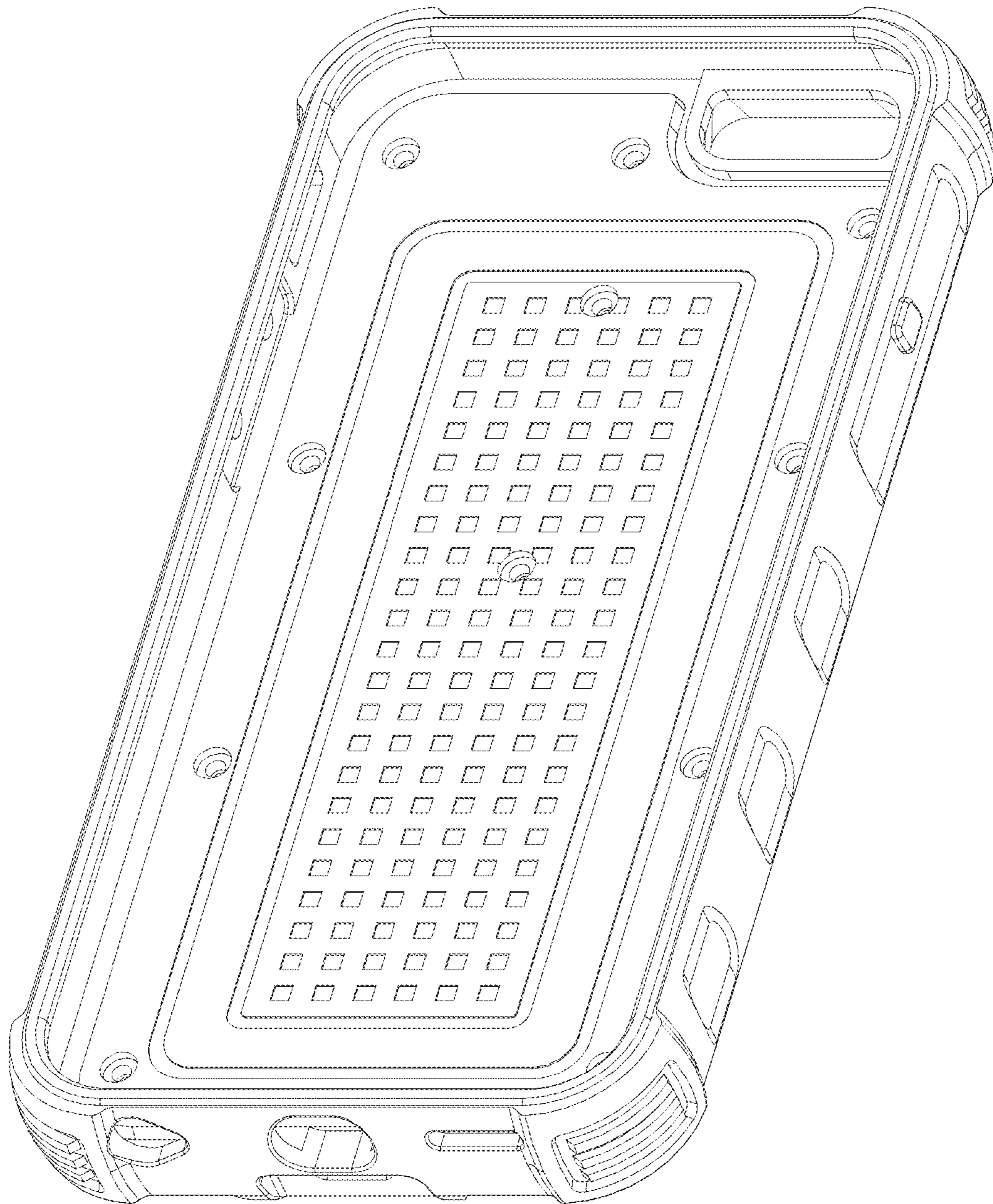


FIG.7

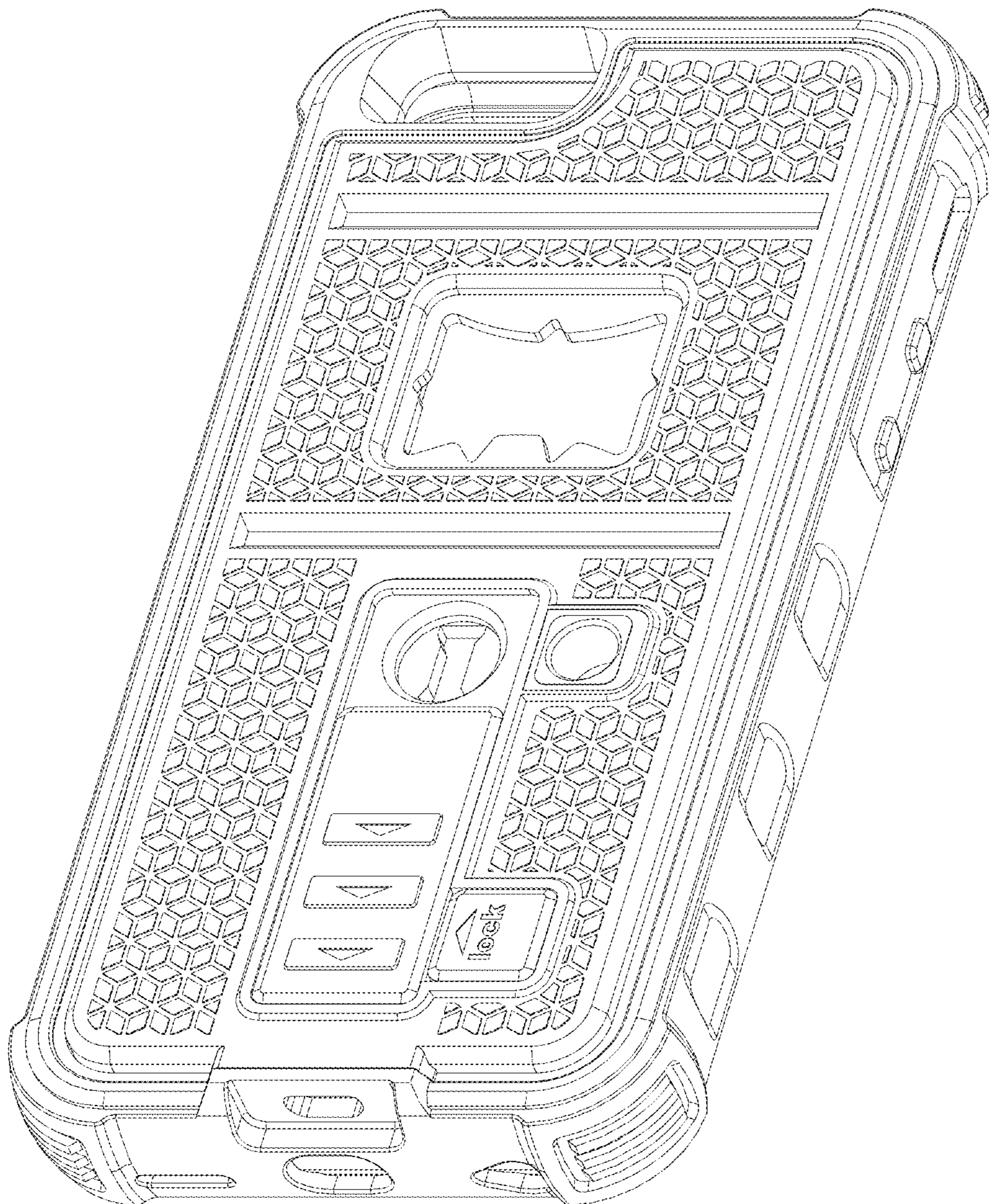


FIG.8