

US00D769854S

(12) **United States Design Patent**
Duval et al.

(10) **Patent No.:** **US D769,854 S**
(45) **Date of Patent:** **** Oct. 25, 2016**

(54) **MOBILE PHONE CASE WITH
DETACHABLE SUPPORTING STRAP**

(71) Applicants: **Bennett Alexander Duval**, Los Angeles, CA (US); **Chris Babcock**, Los Angeles, CA (US)

(72) Inventors: **Bennett Alexander Duval**, Los Angeles, CA (US); **Chris Babcock**, Los Angeles, CA (US)

(**) Term: **15 Years**

(21) Appl. No.: **29/532,010**

(22) Filed: **Jun. 30, 2015**

(51) **LOC (10) Cl.** **14-03**

(52) **U.S. Cl.**
USPC **D14/250**

(58) **Field of Classification Search**
USPC D14/238.1, 440, 203.3–203.7, 217, 240, D14/248, 251–253, 447, 496, 250; D3/201, D3/218, 247, 269, 273, 301, 303; D13/103, 107–108, 119
CPC H04B 1/3888; H04M 1/0283; H04M 1/0202; A45C 1/06; A45C 11/00; A45C 13/02; A45C 2011/002; A45F 2005/026; A45F 2200/0525; A45F 2200/0516
See application file for complete search history.

(56) **References Cited**

U.S. PATENT DOCUMENTS

4,925,149	A *	5/1990	DiFrancesca	B65D 81/113
					206/320
D519,731	S *	5/2006	Andre	D3/218
D641,974	S *	7/2011	Stampfli	D3/218
D661,646	S *	6/2012	Son	D13/108
D668,247	S *	10/2012	Kim	D14/253
D685,990	S *	7/2013	Zhang	D3/218
D689,479	S *	9/2013	Soffer	D14/253
D705,767	S *	5/2014	Yoon	D14/250
D717,780	S *	11/2014	Tussy	D14/250
D721,690	S *	1/2015	Kim	D14/250
D721,691	S *	1/2015	Kim	D14/250

D721,692	S *	1/2015	Kim	D14/250
D725,093	S *	3/2015	Sun	D14/250
D738,872	S *	9/2015	Erickson-Davis	D14/250
D743,409	S *	11/2015	Chen	D14/447
2012/0063066	A1 *	3/2012	Floit	A45F 3/14
					361/679.01
2013/0213826	A1 *	8/2013	Partridge	F16M 11/10
					206/45.24
2014/0117820	A1 *	5/2014	Hung	H04B 1/3888
					312/223.1
2014/0137348	A1 *	5/2014	Lodge	B08B 1/006
					15/104.92
2014/0152034	A1 *	6/2014	Tussy	F16M 13/04
					294/142
2014/0252786	A1 *	9/2014	Singhal	G06F 1/1626
					294/137
2015/0080064	A1 *	3/2015	Park	H04B 1/3888
					455/575.1
2015/0144668	A1 *	5/2015	Chiu, Jr.	A45F 5/021
					224/218
2015/0342314	A1 *	12/2015	Christy	A45C 1/06
					206/38
2016/0135560	A1 *	5/2016	Yeh	A45C 11/00
					224/581

* cited by examiner

Primary Examiner — Carla Jobe Wright

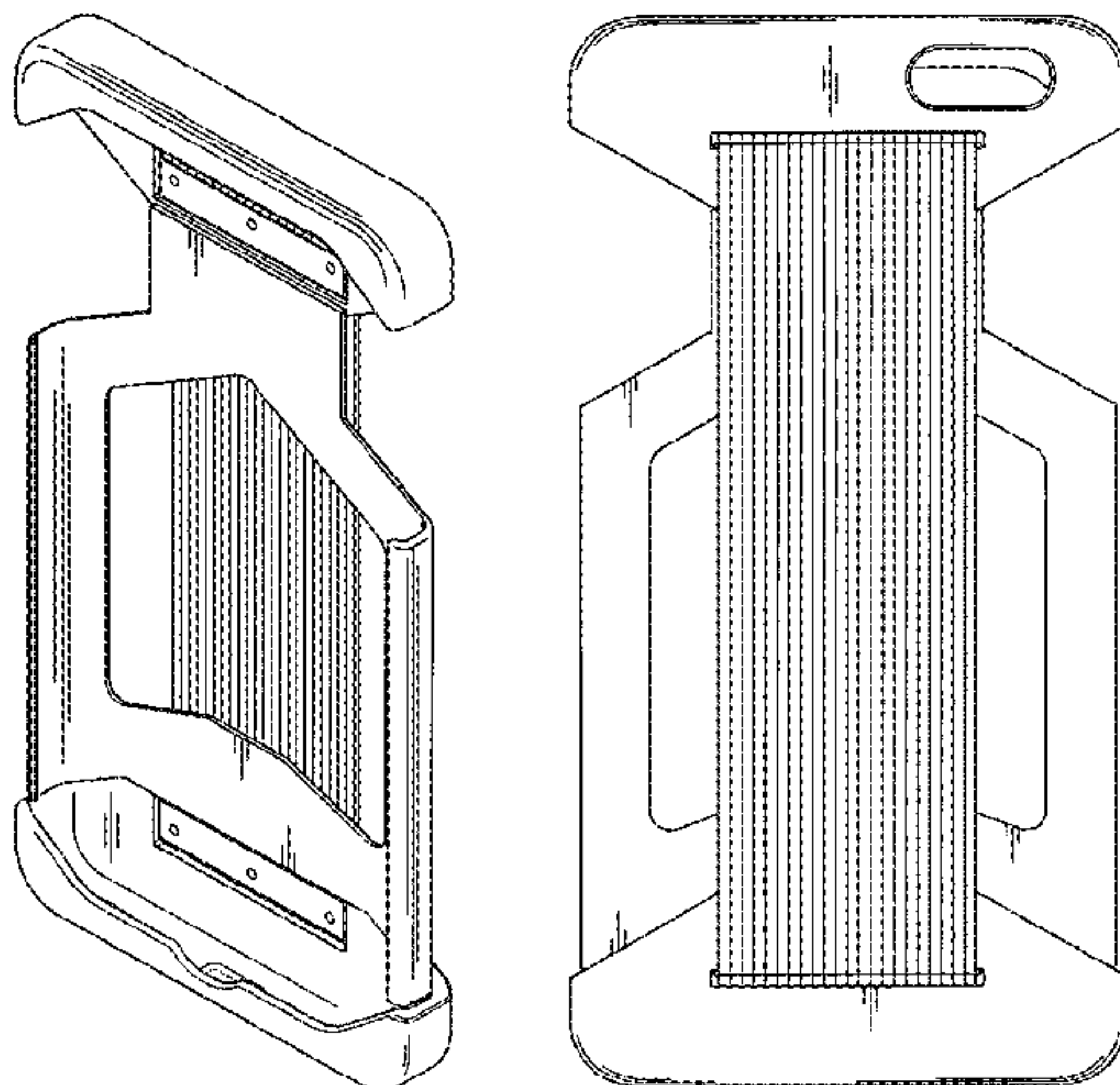
(57) **CLAIM**

The ornamental design for a mobile phone case with detachable supporting strap, as shown and described.

DESCRIPTION

FIG. 1 is an isometric view of a mobile phone case with detachable supporting strap showing our new design; FIG. 2 is a front elevation view thereof; FIG. 3 is a rear elevation view thereof; FIG. 4 is a left side elevation view thereof; FIG. 5 is a right side elevation view thereof; FIG. 6 is a top plan view thereof; and, FIG. 7 is a bottom plan view thereof. The broken lines shown in the drawings illustrate portions of the mobile phone case with detachable supporting strap that form no part of the claimed design.

1 Claim, 3 Drawing Sheets



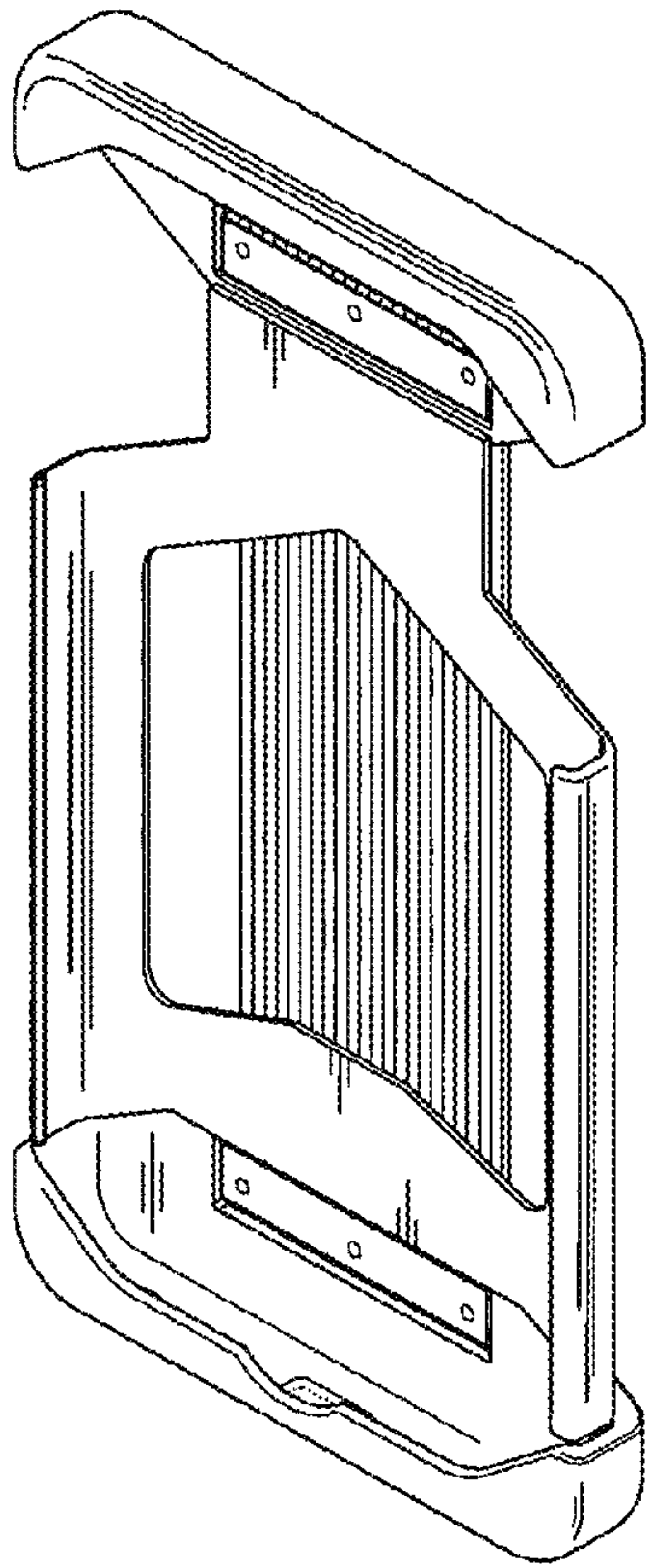


FIG. 1

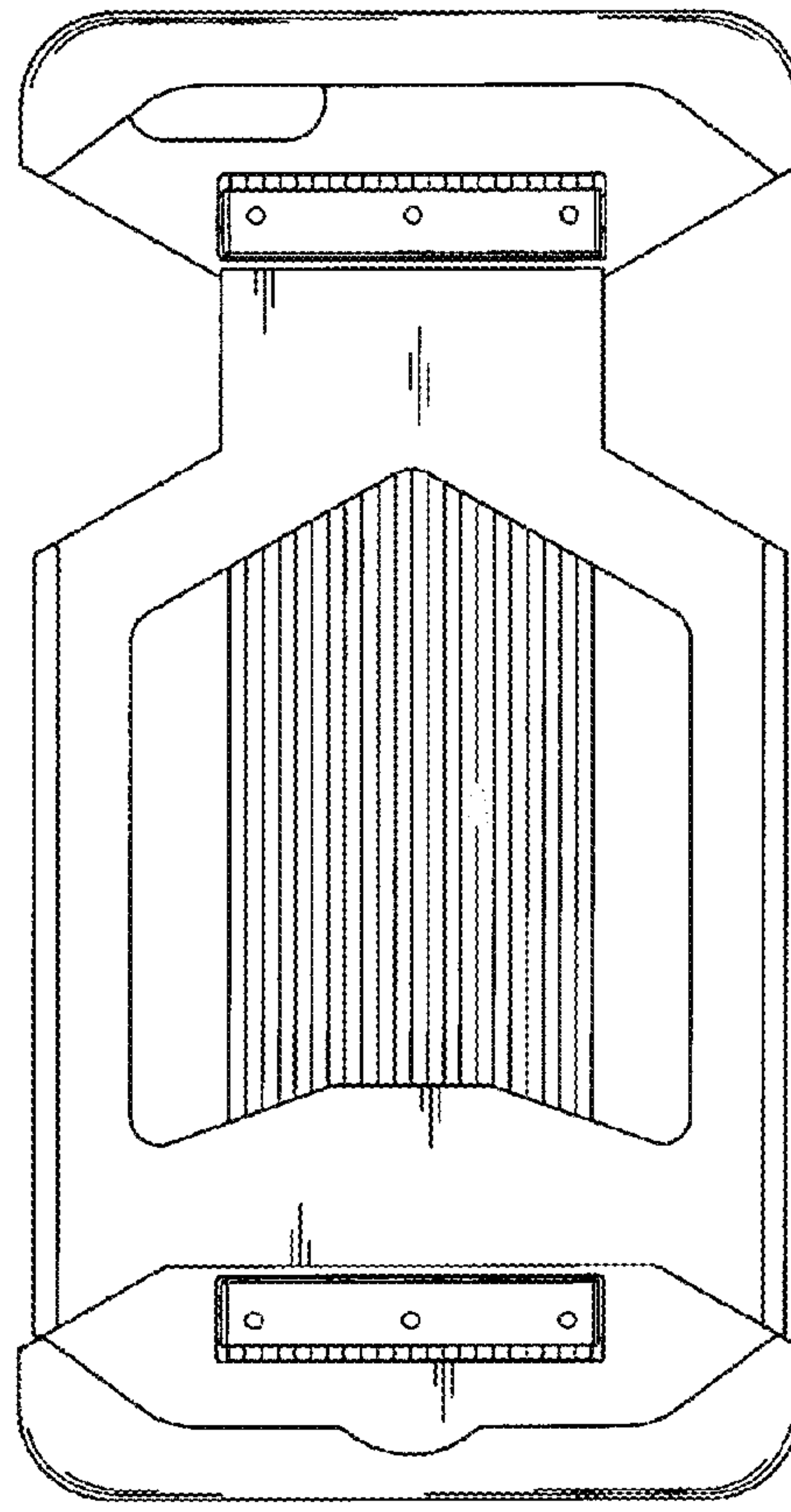


FIG. 2

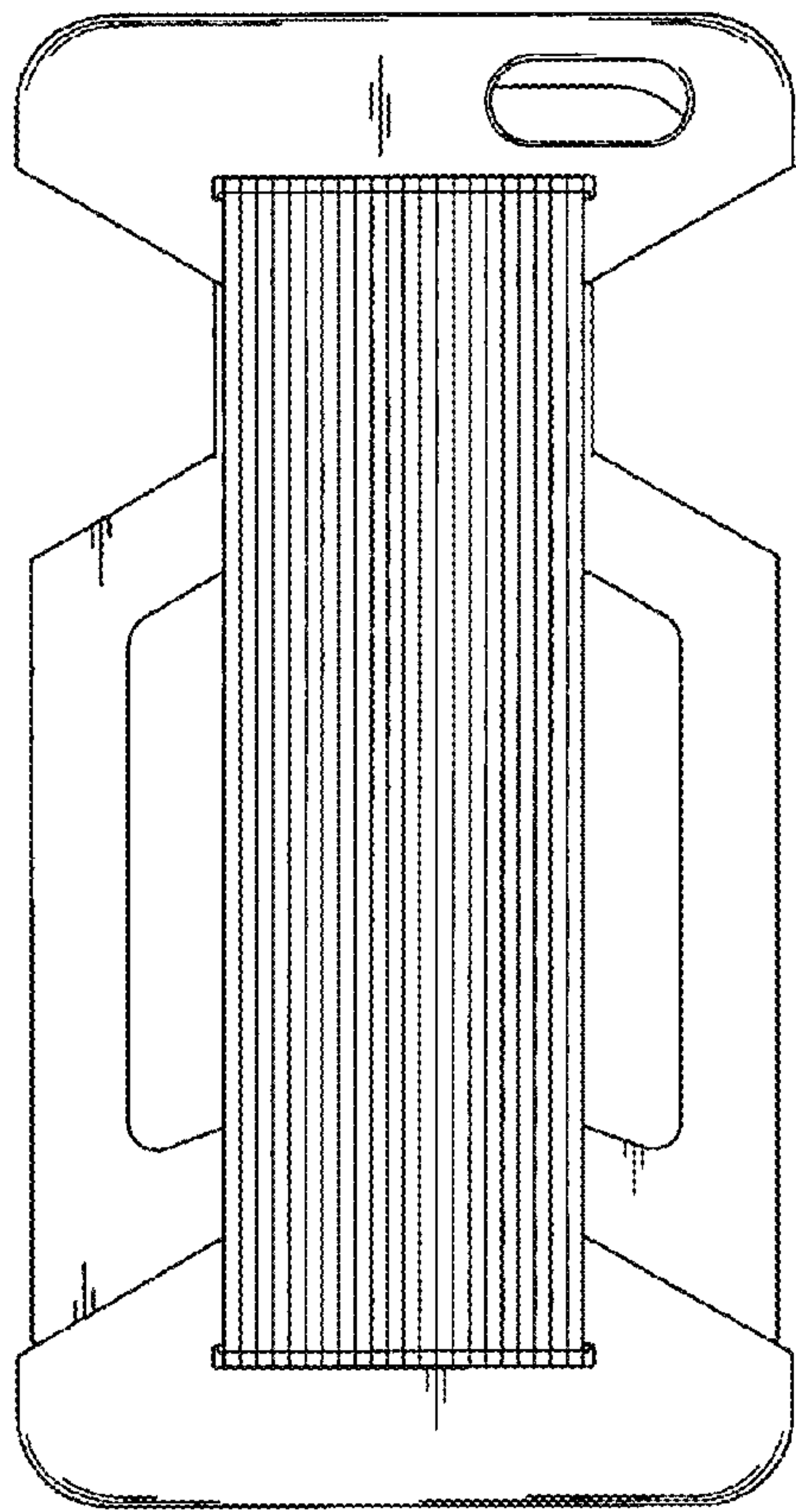


FIG. 3

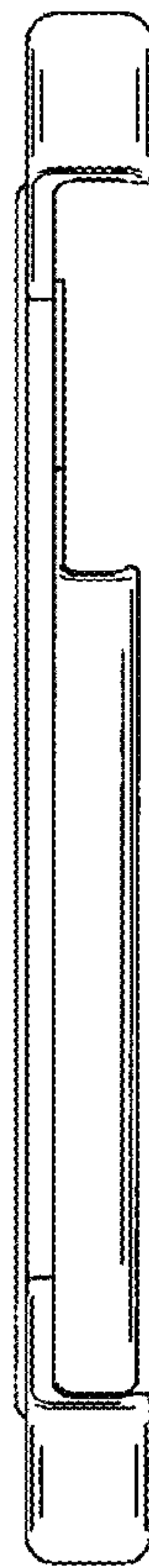


FIG. 4

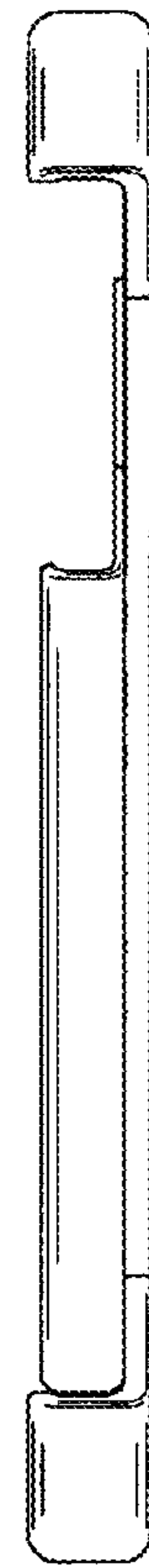


FIG. 5

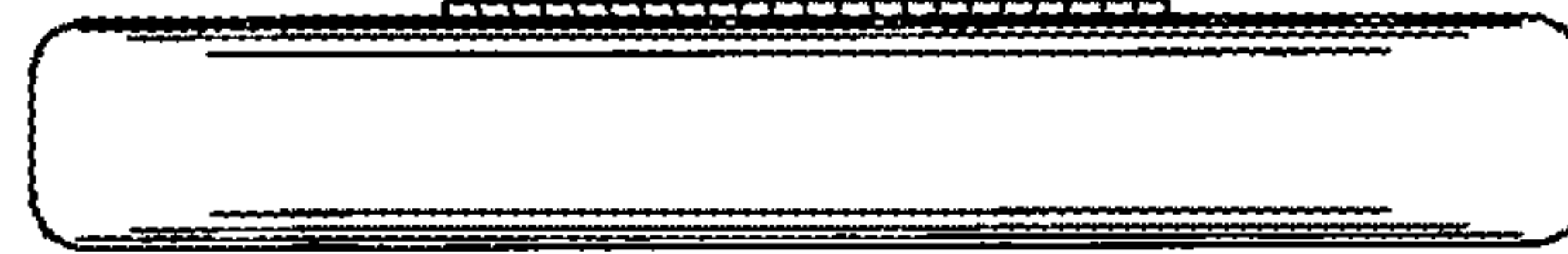


FIG. 6

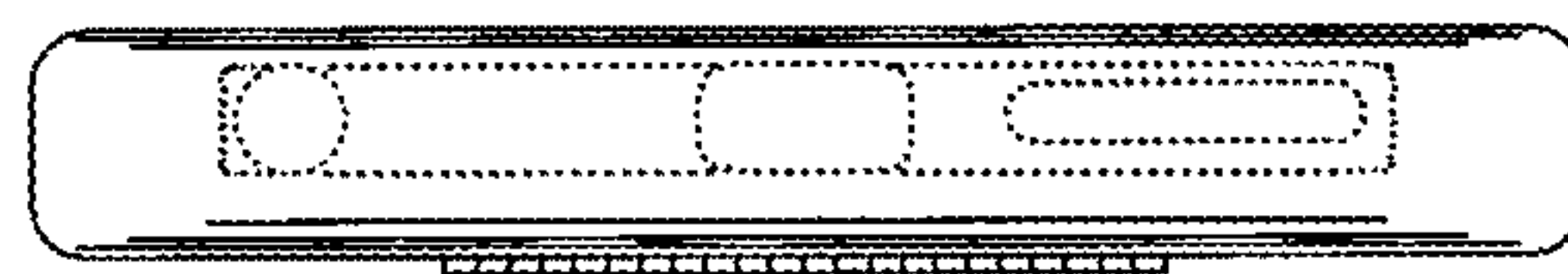


FIG. 7