



US00D769849S

(12) **United States Design Patent** (10) **Patent No.:** **US D769,849 S**
Akana et al. (45) **Date of Patent:** **** Oct. 25, 2016**

(54) **EARPHONE**

- (71) Applicant: **Apple Inc.**, Cupertino, CA (US)
- (72) Inventors: **Jody Akana**, San Francisco, CA (US);
Bartley K. Andre, Palo Alto, CA (US);
Jeremy Bataillou, San Francisco, CA (US);
Daniel J. Coster, San Francisco, CA (US);
Daniele De Iuliis, San Francisco, CA (US);
M. Evans Hankey, San Francisco, CA (US);
Julian Hoenig, San Francisco, CA (US);
Richard P. Howarth, San Francisco, CA (US);
Jonathan P. Ive, San Francisco, CA (US);
Duncan Robert Kerr, San Francisco, CA (US);
Shin Nishibori, Kailua, HI (US);
Matthew Dean Rohrbach, San Francisco, CA (US);
Peter Russell-Clarke, San Francisco, CA (US);
Christopher J. Stringer, Woodside, CA (US);
Eugene Antony Whang, San Francisco, CA (US);
Rico Zörkendörfer, San Francisco, CA (US)
- (73) Assignee: **APPLE INC.**, Cupertino, CA (US)
- (**) Term: **15 Years**
- (21) Appl. No.: **29/530,281**
- (22) Filed: **Jun. 15, 2015**

Related U.S. Application Data

- (63) Continuation of application No. 29/493,749, filed on Jun. 12, 2014, now Pat. No. Des. 732,008, which is a
(Continued)

- (51) **LOC (10) Cl.** **14-01**
- (52) **U.S. Cl.**
USPC **D14/223**
- (58) **Field of Classification Search**
USPC D14/223, 205, 188, 192; D24/106, 174;
181/129, 130, 135; 379/430, 431;
381/380, 381, 370, 374, 378, 183, 187,
381/327, 385, 379, 328, 322, 330, 312,
381/324; 128/864, 865; 455/90.3, 575.2
CPC H04R 1/1016; H04R 1/10; H04R 25/00;
H04R 1/105

See application file for complete search history.

(56) **References Cited**

U.S. PATENT DOCUMENTS

- 2,148,477 A 2/1939 Koch
- 2,595,489 A 5/1952 Rutter et al.

(Continued)

OTHER PUBLICATIONS

“iBlink WLP3 Earbuds—100Hz-10kHz, Noise Isolation, 3.5mm Jack, LED Light (Pink), White,” TigerDirect.com, accessed at http://www.tigerdirect.com/applications/SearchTools/item-details.asp?EdpNo=3988300&csid=_61, last accessed on Jan. 31, 2013; 4 pages.

(Continued)

Primary Examiner — Paula Greene

(74) *Attorney, Agent, or Firm* — Sterne, Kessler, Goldstein & Fox PLLC

(57) **CLAIM**

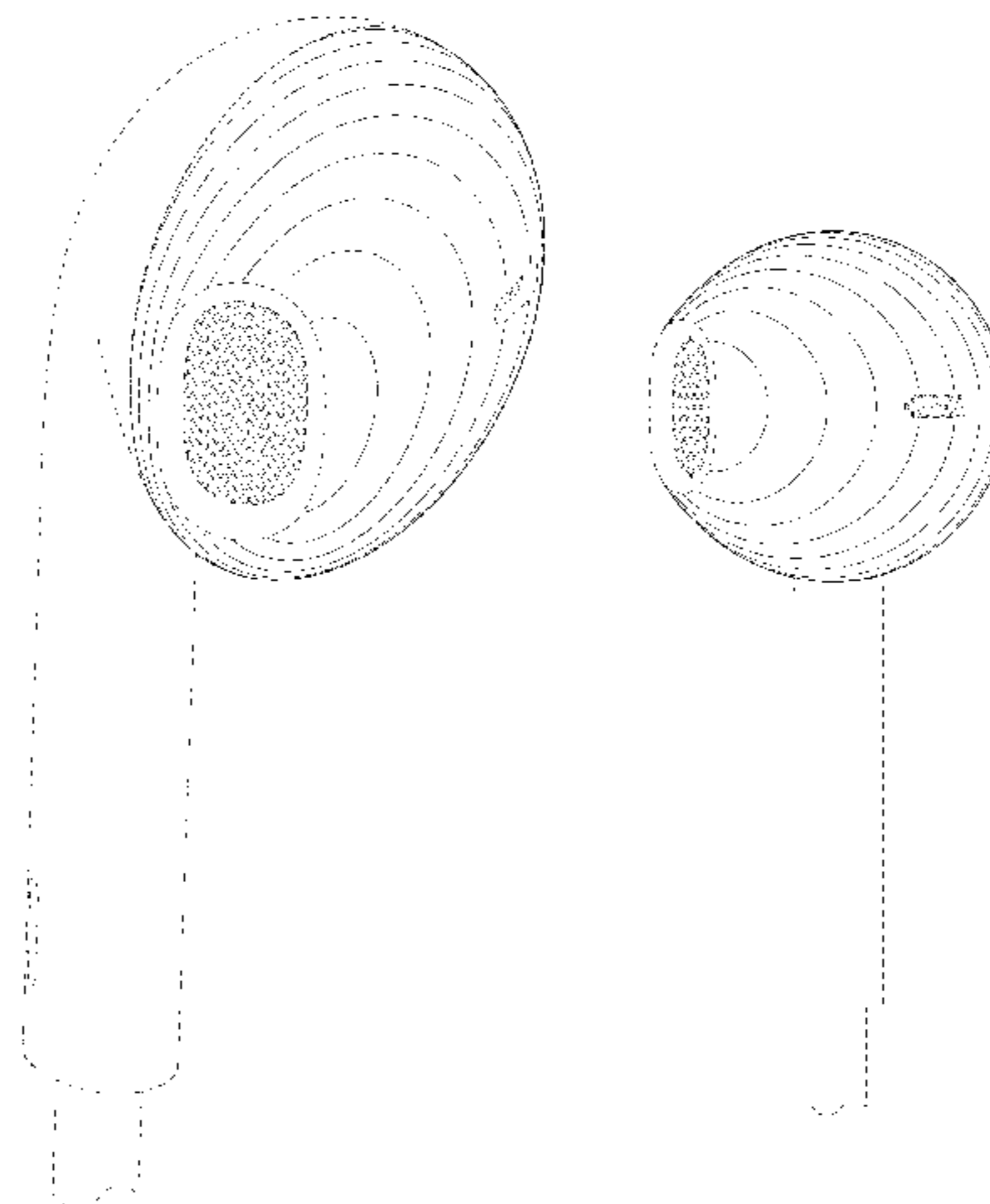
The ornamental design for an earphone, as shown and described.

DESCRIPTION

FIG. 1 is a front perspective view of an earphone showing our new design;
 FIG. 2 is a rear perspective view thereof;
 FIG. 3 is a front view thereof;
 FIG. 4 is a rear view thereof;
 FIG. 5 is a right side view thereof;
 FIG. 6 is a left side view thereof;
 FIG. 7 is a top view thereof; and,
 FIG. 8 is a bottom view thereof.

The dashed broken lines in the Figures show portions of the earphone that form no part of the claimed design. The dot-dash broken lines show a boundary that forms no part of the claimed design. The shade lines in the Figures show contour and not surface ornamentation.

1 Claim, 5 Drawing Sheets



Related U.S. Application Data

continuation of application No. 29/453,449, filed on Apr. 29, 2013, now Pat. No. Des. 707,206, which is a continuation of application No. 29/431,563, filed on Sep. 8, 2012, now Pat. No. Des. 681,015.

(56)

References Cited

U.S. PATENT DOCUMENTS

3,368,644	A	2/1968	Henderson
4,532,649	A	7/1985	Bellafore
4,672,672	A	6/1987	Eggert et al.
4,677,675	A	6/1987	Killion et al.
4,736,430	A	4/1988	Schroder
4,965,838	A	10/1990	Kamon et al.
D331,057	S	11/1992	Isonaga
D337,118	S	7/1993	Seikita
D344,800	S	3/1994	Lamby
D353,379	S	12/1994	Nakamura et al.
5,420,935	A	5/1995	Shinohara et al.
D410,079	S	5/1999	Falco et al.
6,122,369	A	9/2000	Hwang et al.
D469,753	S	2/2003	Andre et al.
6,690,807	B1	2/2004	Meyer
D488,460	S	4/2004	Alwicker et al.
6,731,772	B1	5/2004	Byun
D499,397	S	12/2004	Hlas et al.
D505,132	S	5/2005	Linville et al.
D506,744	S	6/2005	Andre et al.
D515,070	S	2/2006	Andre et al.
D523,846	S	6/2006	Lee
D533,868	S	12/2006	Koizumi
D554,109	S	10/2007	Ledbetter et al.
D557,689	S	12/2007	Huang et al.
D566,687	S	4/2008	Duarte et al.
D568,291	S	5/2008	Andre et al.
D573,977	S	7/2008	Ledbetter et al.
D575,269	S	8/2008	Ledbetter et al.
D578,518	S	10/2008	Ewert
D579,923	S	11/2008	Andre et al.
D587,677	S	3/2009	Andre et al.
D589,491	S	3/2009	Andre et al.
D589,498	S	3/2009	Komiyama
D590,375	S	4/2009	Komiyama
D593,537	S	6/2009	Arimoto
D596,616	S	7/2009	Andre et al.
D599,330	S	9/2009	Andre et al.
D601,134	S	9/2009	Elabidi et al.
D616,874	S	6/2010	Matsuoka
D618,209	S	6/2010	Andre et al.
D618,210	S	6/2010	Andre et al.
D618,219	S	6/2010	Burgett et al.
D622,265	S	8/2010	Rye

D626,948	S	11/2010	Nault	
D627,766	S	11/2010	Arimoto	
D628,193	S	11/2010	Zheng	
D632,282	S	2/2011	Kitayama	
D633,086	S	2/2011	Chen	
D635,960	S	4/2011	Gondo et al.	
D639,279	S	6/2011	Andre et al.	
D652,823	S	1/2012	Chen	
D656,481	S	3/2012	McManigal	
D662,493	S	6/2012	Chen	
D662,495	S	6/2012	Andre et al.	
D664,523	S	7/2012	Naitou	
D666,580	S	9/2012	Lee et al.	
D669,058	S	10/2012	Lee et al.	
D669,453	S	10/2012	Katsuraku et al.	
D674,781	S	1/2013	Sakata	
D675,194	S	1/2013	Andre et al.	
8,345,912	B2	1/2013	Akihiko et al.	
D676,427	S	2/2013	Yang	
8,391,533	B2	3/2013	Sim et al.	
D681,015	S	4/2013	Akana et al.	
D687,419	S	8/2013	Andre et al.	
8,515,116	B2	8/2013	Lee	
D691,594	S	10/2013	Akana et al.	
D694,220	S	11/2013	Lee et al.	
D694,249	S	11/2013	Akana et al.	
D706,643	S	6/2014	Akana et al.	
D707,206	S	6/2014	Akana et al.	
8,800,712	B2	8/2014	Campbell et al.	
D712,279	S	9/2014	Akana et al.	
D718,284	S *	11/2014	Shibusawa	D14/223
D718,285	S	11/2014	Shibusawa	
8,965,030	B2	2/2015	Aase	
D728,533	S *	5/2015	Poulsen	D14/223
D732,007	S *	6/2015	Oksman	D14/223
D732,008	S *	6/2015	Akana	D14/223
D733,101	S *	6/2015	Pi	D14/223
D733,689	S *	7/2015	Narita	D14/223
D747,295	S *	1/2016	Eastwood	D14/223
D755,759	S *	5/2016	Cai	D14/223
2012/0155692	A1	6/2012	Chen	
2012/0237074	A1 *	9/2012	Aase	H04R 1/1016 381/380
2013/0004011	A1	1/2013	Hayashida et al.	
2013/0343595	A1	12/2013	Zorkendorfer et al.	

OTHER PUBLICATIONS

“Philips SHE2650/37 In-Ear Earbuds with Twin Vents,” ShoppingNexus.com, accessed at <http://www.shoppingnexus.com/electronics/pr/philips-she265037-in-ear-earbuds-with-twin-vents1.html>, last accessed on Jan. 31, 2013; 1 page.

* cited by examiner

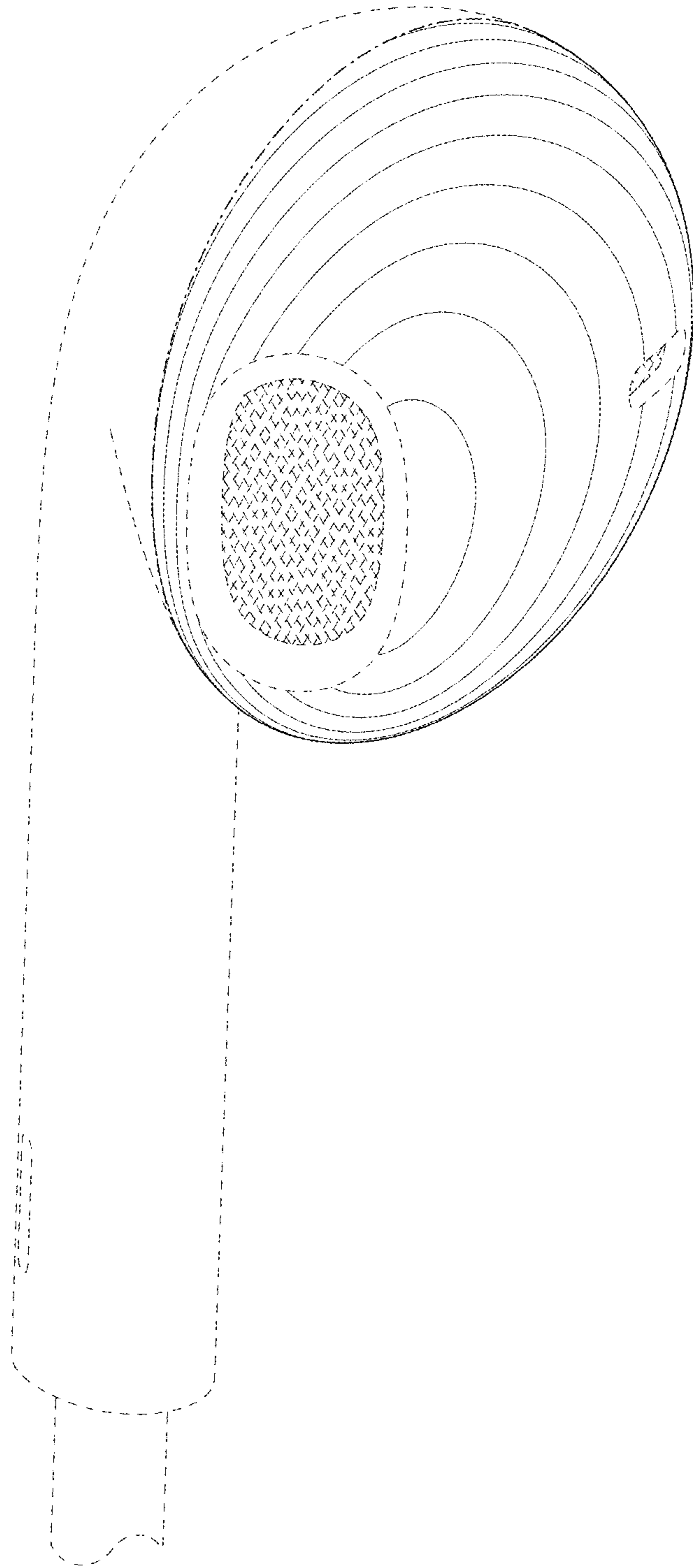


FIG. 1

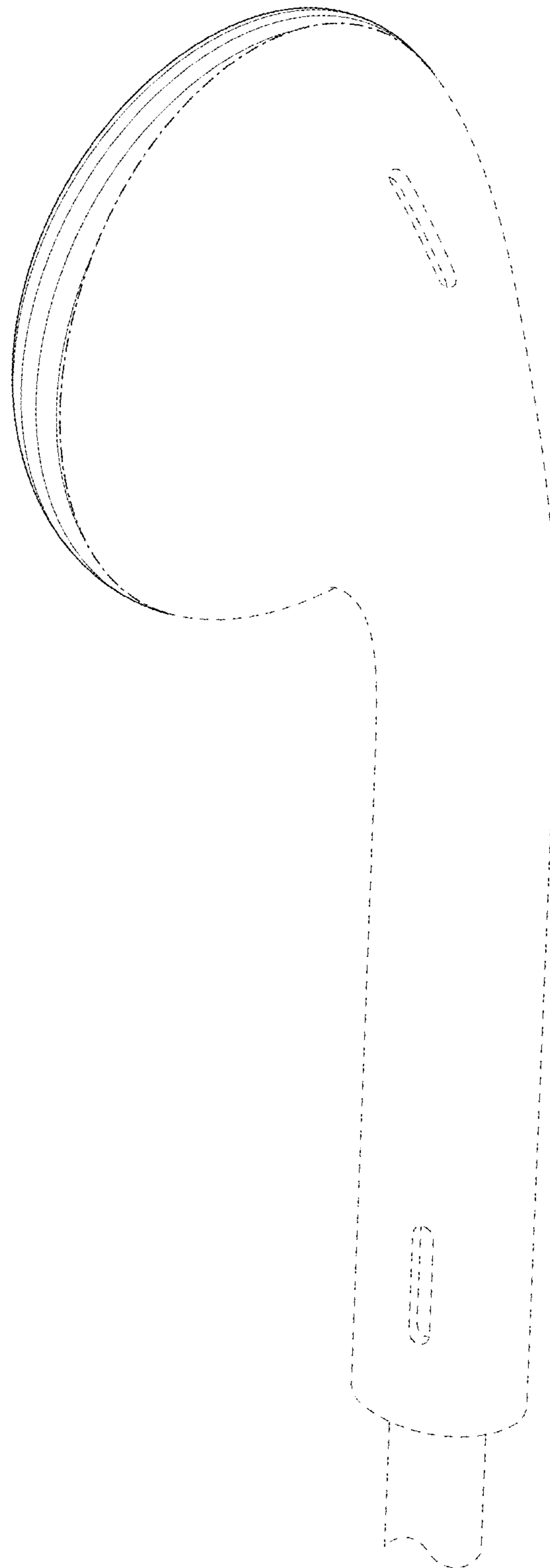


FIG. 2

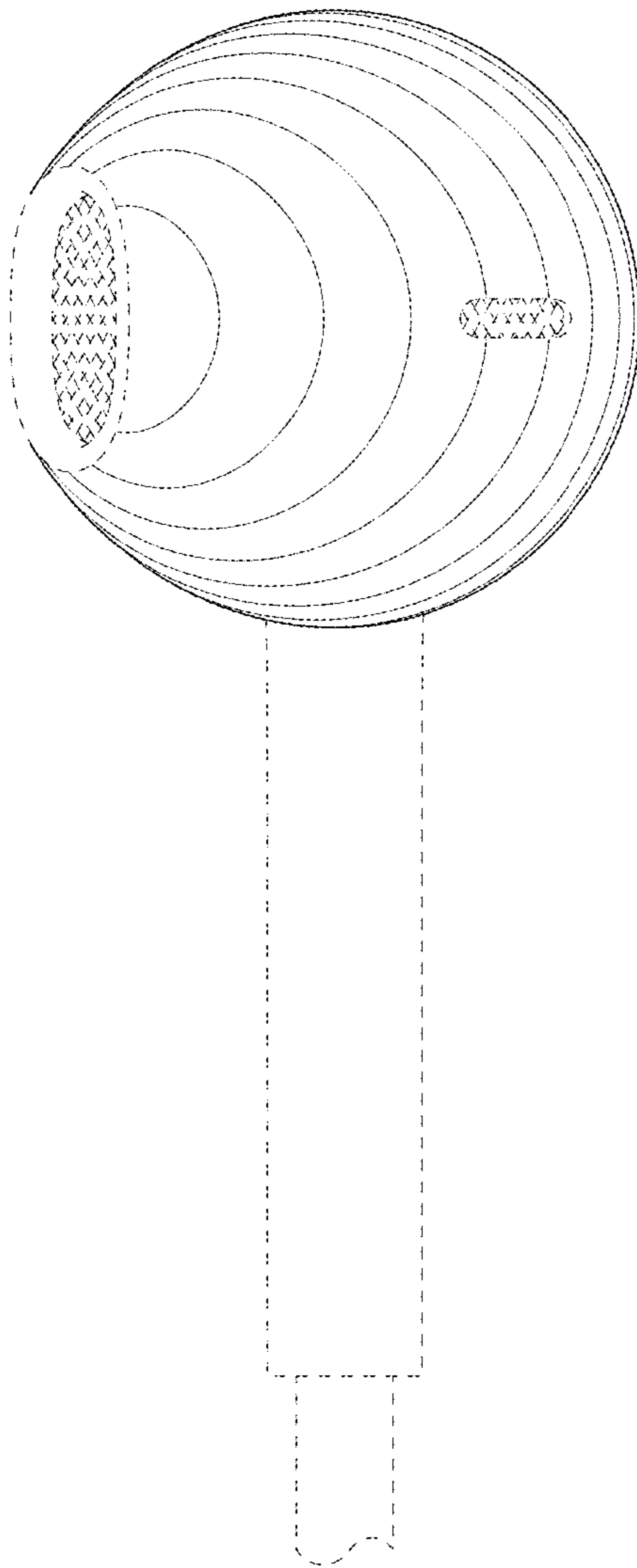


FIG. 3

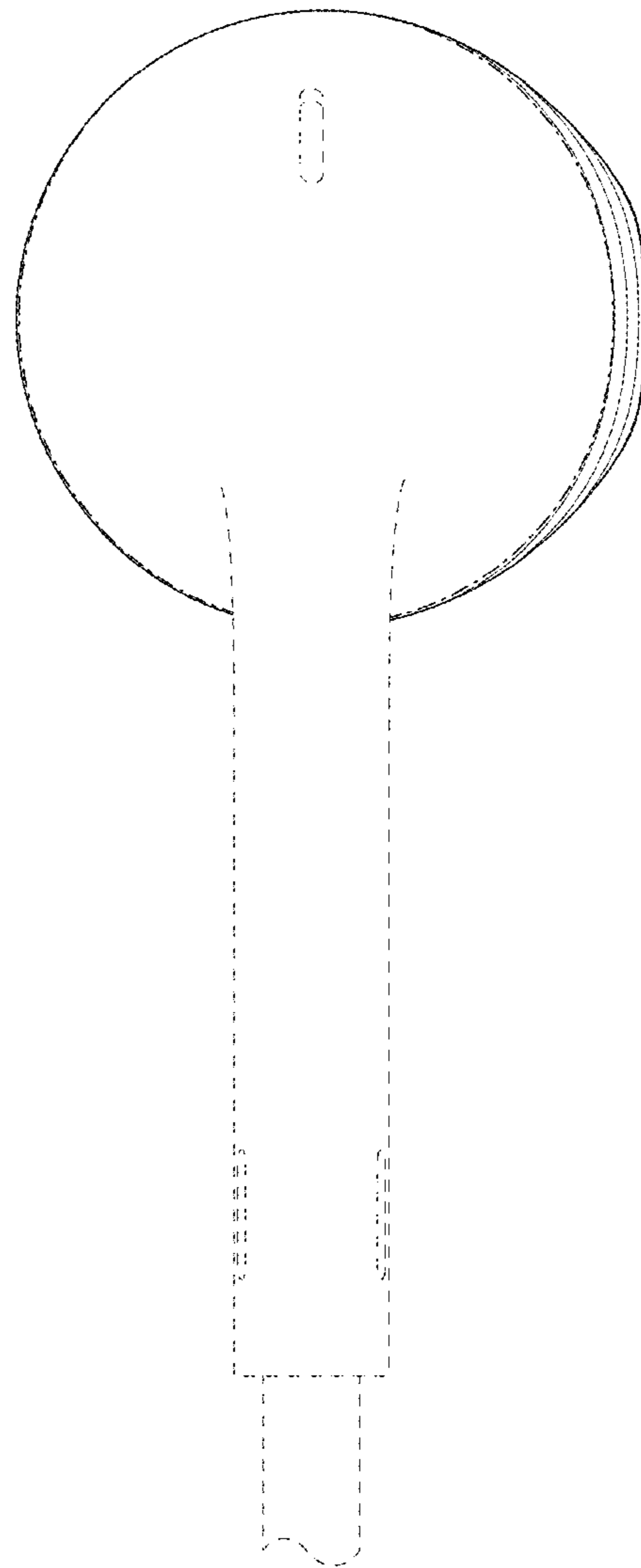


FIG. 4

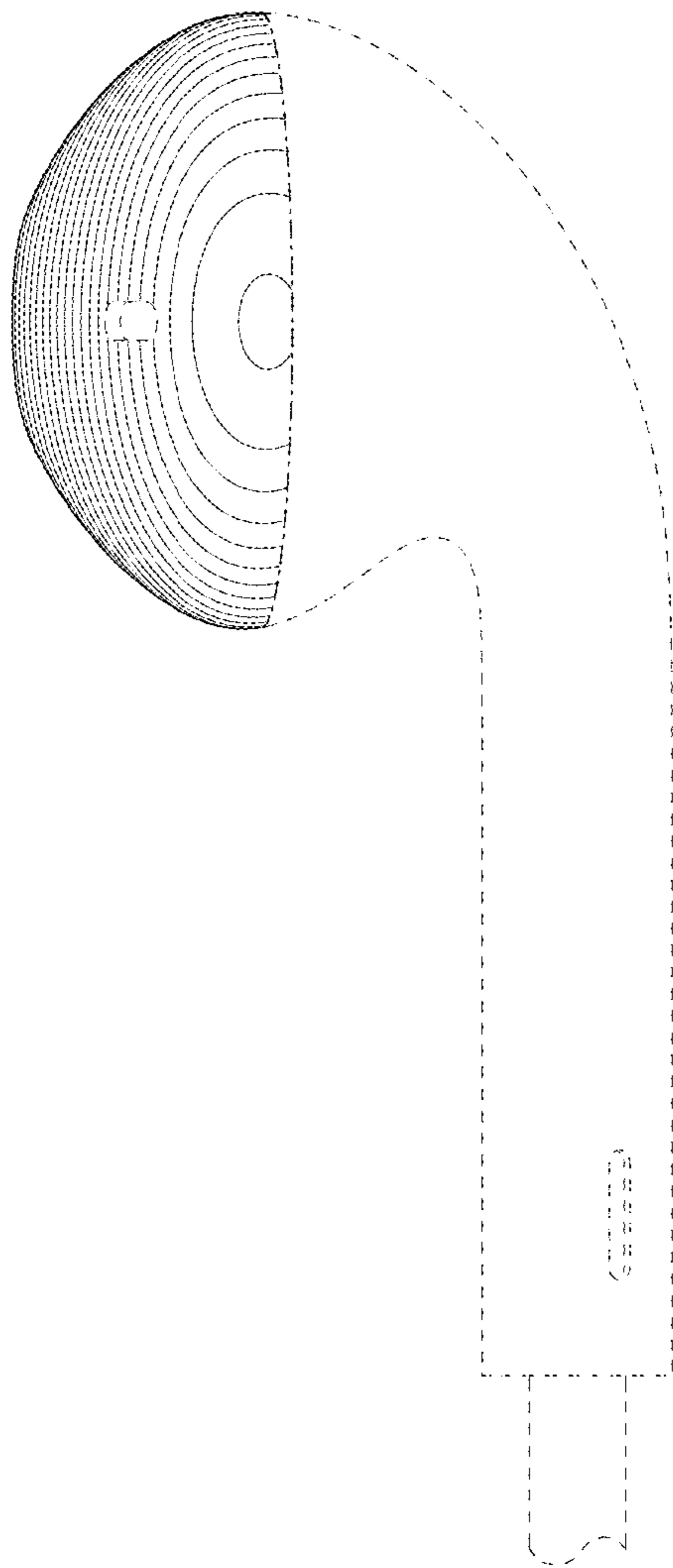


FIG. 5

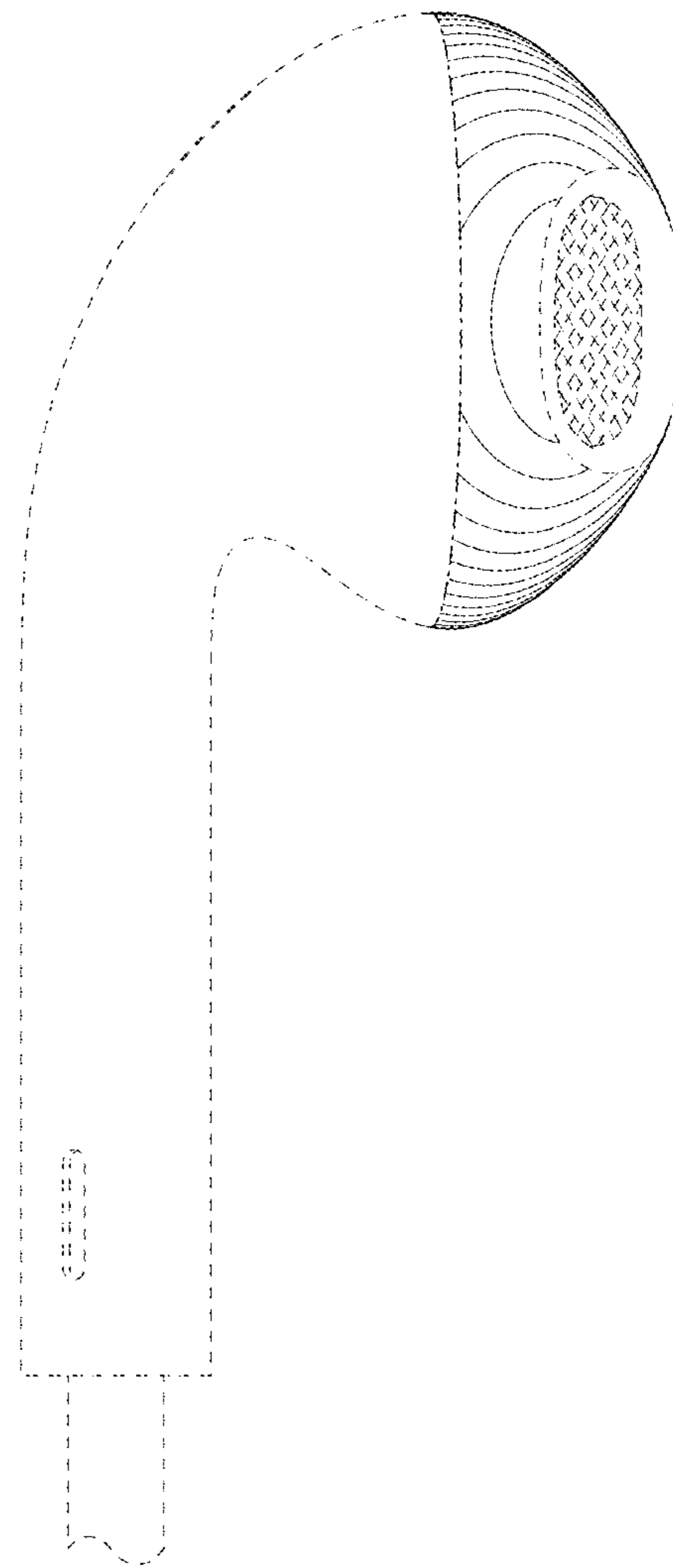


FIG. 6

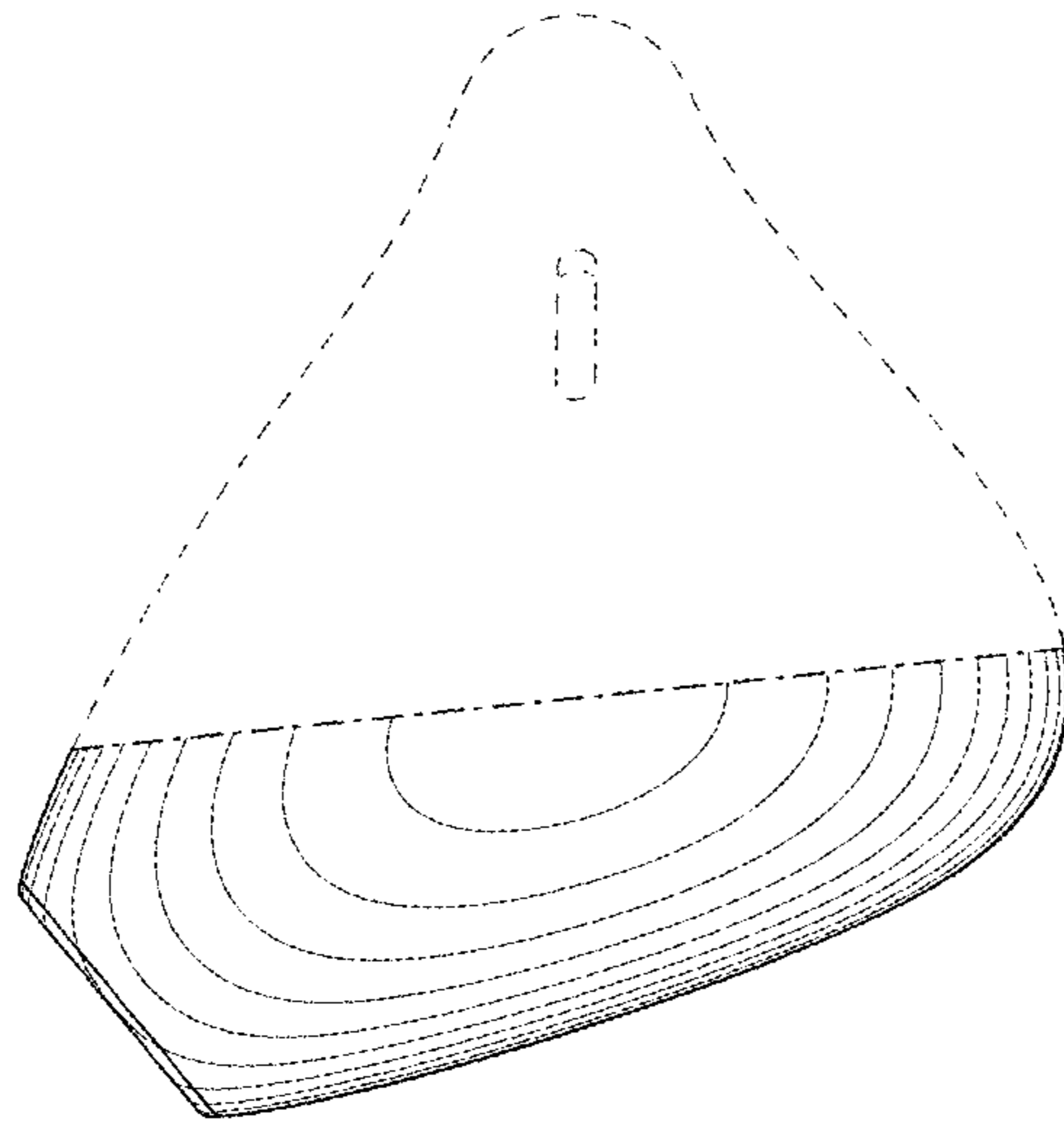


FIG. 7

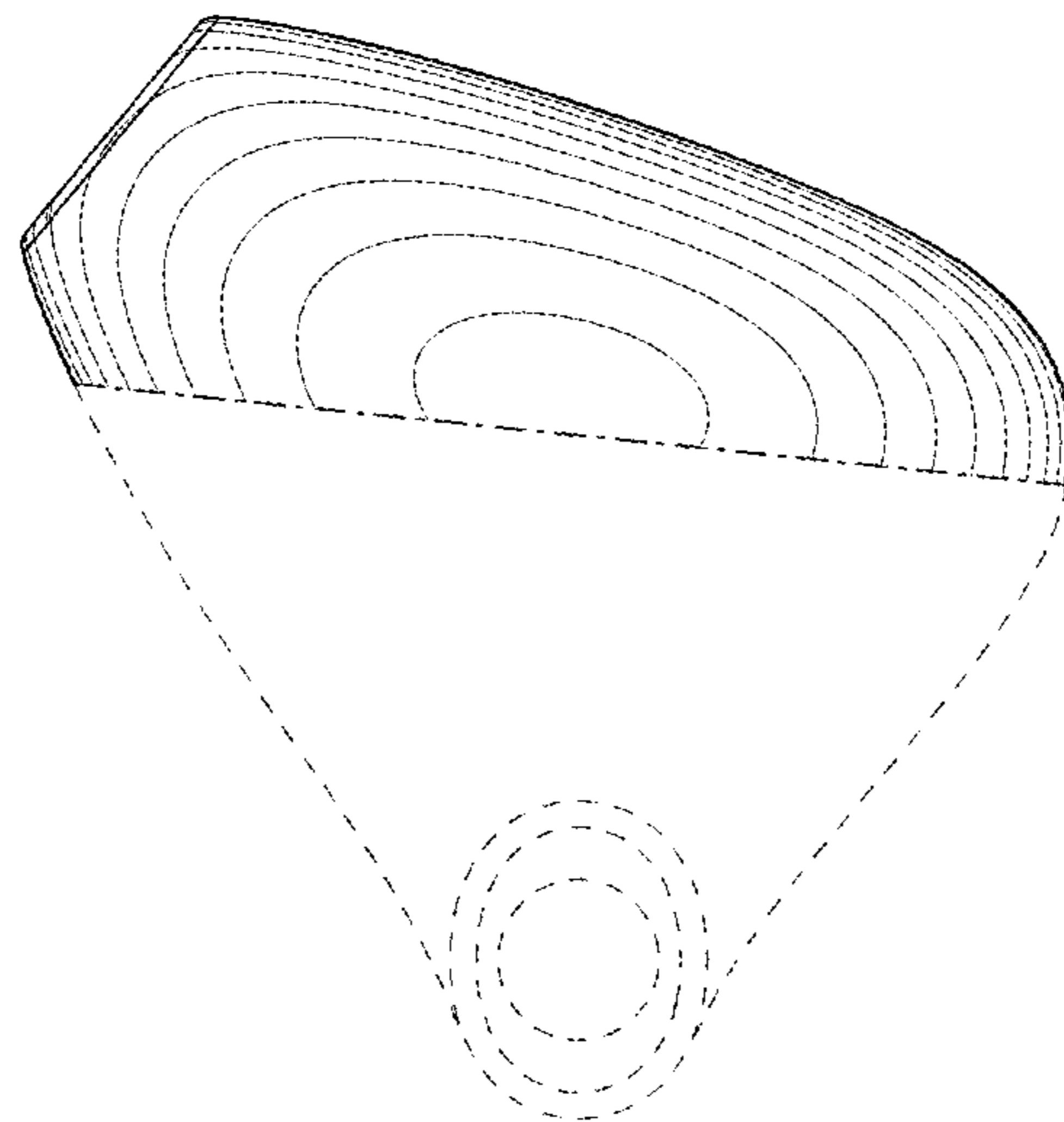


FIG. 8