



US00D769847S

(12) **United States Design Patent** (10) **Patent No.:** **US D769,847 S**
McClurkan (45) **Date of Patent:** **** Oct. 25, 2016**

(54) **REMOTE CONTROL**

(71) Applicant: **Michael McClurkan**, Jonesboro, AR (US)

(72) Inventor: **Michael McClurkan**, Jonesboro, AR (US)

(**) Term: **14 Years**

(21) Appl. No.: **29/433,459**

(22) Filed: **Sep. 29, 2012**

(51) **LOC (10) Cl.** **14-03**

(52) **U.S. Cl.**
USPC **D14/218**

(58) **Field of Classification Search**
USPC D13/168; D14/126, 138 AD, 138 G, 232, D14/218; D6/501, 404; D9/67; D21/324, D21/329, 330, 638, 401; D26/4, 47; D3/18; D23/212; D11/121, 129; D7/354; D10/106.4; D20/32; D2/889, 882, 878; D1/108; 206/457; 40/539; 348/734
CPC A63H 3/005; G06F 1/04; H01H 25/041; G10L 21/16
See application file for complete search history.

(56) **References Cited**

U.S. PATENT DOCUMENTS

D74,122 S *	12/1927	Royal	D21/638
D155,460 S *	10/1949	Sundheim	D21/638
D155,477 S *	10/1949	Brown	D11/129
2,532,729 A *	12/1950	Millstein	A63H 3/005 206/457
2,648,151 A *	8/1953	Kindred	G09F 1/04 40/539
D191,748 S *	11/1961	Gale	D21/638
D223,336 S *	4/1972	Taylor	D11/129
D234,942 S *	4/1975	Gottsegen	D1/108
D293,972 S *	2/1988	Baker	D3/18
D322,304 S *	12/1991	Taylor	D11/129
D356,126 S *	3/1995	Kennedy	D21/638
D392,209 S *	3/1998	Hergert	D11/129

D393,017 S *	3/1998	Bhandhugravi	D11/129
D397,957 S *	9/1998	Lee	D11/121
D425,069 S *	5/2000	Suh	D11/129
D428,808 S *	8/2000	Ying	D11/129
D492,058 S *	6/2004	Lee	D26/99
D499,663 S *	12/2004	Yang	D11/129
D544,812 S *	6/2007	Limber	D11/129
D552,388 S *	10/2007	Chu	D21/638
D557,973 S *	12/2007	Sarnoff	D7/354
D562,714 S *	2/2008	Priestly	D10/106.4
D580,914 S *	11/2008	Tsao	D13/168

(Continued)

OTHER PUBLICATIONS

Santa Claus head shaped tin can with window/ Christmas gift tin can/ cookies tin box, Announced Sep. 7, 2010, [Site Visited Oct. 17, 2014] <http://dgrifeng.en.made-in-china.com/product/CvyJPhqMAEcu/China-Santa-Claus-head-shaped-tin-can-with-window-Christmas-gift-tin-can-cookies-tin-box.html>.*

(Continued)

Primary Examiner — John Windmuller
Assistant Examiner — Luqman McNeil
(74) *Attorney, Agent, or Firm* — Muskin & Farmer LLC

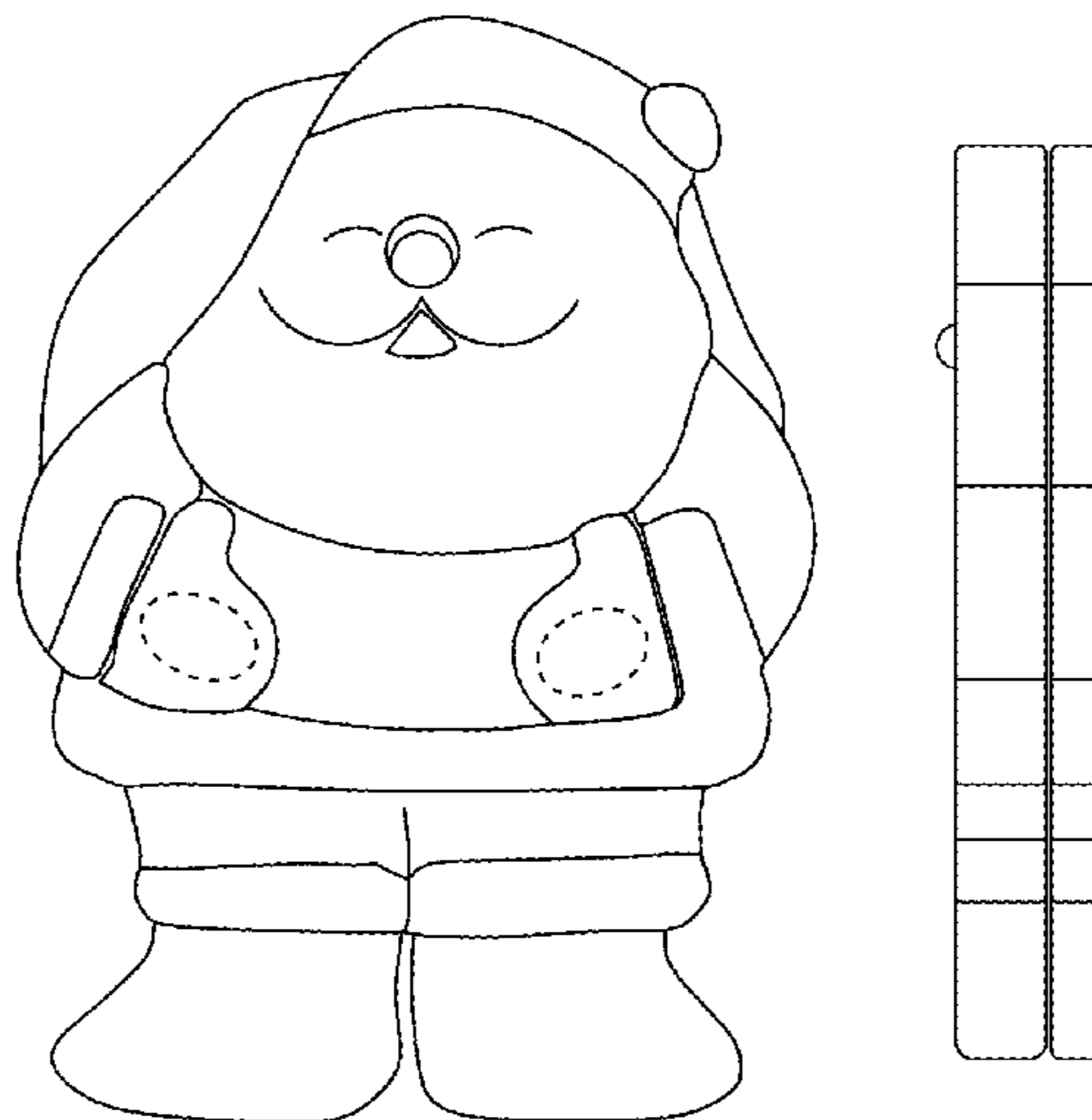
(57) **CLAIM**

The ornamental design for a remote control, and shown and described.

DESCRIPTION

FIG. 1 is a front orthographic view of a remote control; FIG. 2 is a front view of the remote control; FIG. 3 is a rear view of the remote control; FIG. 4 is a right side view of the remote control; FIG. 5 is a left side view of the remote control; FIG. 6 is a bottom view of the remote control; and, FIG. 7 is a top view of the remote control. The broken lines are included for the purpose of illustrating portions of the remote control that form no part of the claimed design.

1 Claim, 3 Drawing Sheets



(56)

References Cited

U.S. PATENT DOCUMENTS

D590,023 S * 4/2009 Heise D12/400
 D631,389 S * 1/2011 Garrison D11/129
 D638,966 S * 5/2011 van der Lande D26/47
 D639,533 S * 6/2011 Holtzhauer D2/889
 D644,410 S * 9/2011 Hoffmann D1/108
 D644,816 S * 9/2011 Hoffmann D1/108
 D648,954 S * 11/2011 Cute D6/404
 D657,778 S * 4/2012 Chiu D14/218
 D680,464 S * 4/2013 Pedro de Oliveira D11/129
 D693,098 S * 11/2013 Giancola D2/882
 D696,496 S * 12/2013 Hjalmarson D2/878
 D708,093 S * 7/2014 Elder D11/129
 D719,837 S * 12/2014 Kassouni D11/129
 2005/0030434 A1 * 2/2005 Sata H01H 25/041
 348/734
 2012/0265538 A1 * 10/2012 Gustafsson G10L 21/16
 704/275

OTHER PUBLICATIONS

Kitchen Craft Let's Make Christmas Santa Three Dimensional
 Cookie Cutter, Silicone, Announced Jul. 17, 2009, [Site Visited Oct.
 17, 2014][http://www.amazon.co.uk/Kitchen-Craft-Christmas-Di-
 mensional-Silicone/dp/B001DXK67K](http://www.amazon.co.uk/Kitchen-Craft-Christmas-Di-

 mensional-Silicone/dp/B001DXK67K).
 Santa Claus head shaped tin can with window/ Christmas gift tin
 can/ cookies tin box, Announced Sep. 7, 2010, [Site Visited Jan. 7,
 2016] [http://dgrifeng.en.made-in-china.com/product/
 CvyJPhqMAEcu/China-Santa-Claus-head-shaped-tin-can-with-
 window-Christmas-gift-tin-can-cookies-tin-box.html](http://dgrifeng.en.made-in-china.com/product/

 CvyJPhqMAEcu/China-Santa-Claus-head-shaped-tin-can-with-

 window-Christmas-gift-tin-can-cookies-tin-box.html).
 Kitchen Craft Let's Make Christmas Santa Three Dimensional
 Cookie Cutter, Silicone, Announced Jul. 17, 2009, [Site Visited Jan.
 7, 2016][http://www.amazon.co.uk/Kitchen-Craft-Christmas-Di-
 mensional-Silicone/dp/B001DXK67K](http://www.amazon.co.uk/Kitchen-Craft-Christmas-Di-

 mensional-Silicone/dp/B001DXK67K).

* cited by examiner

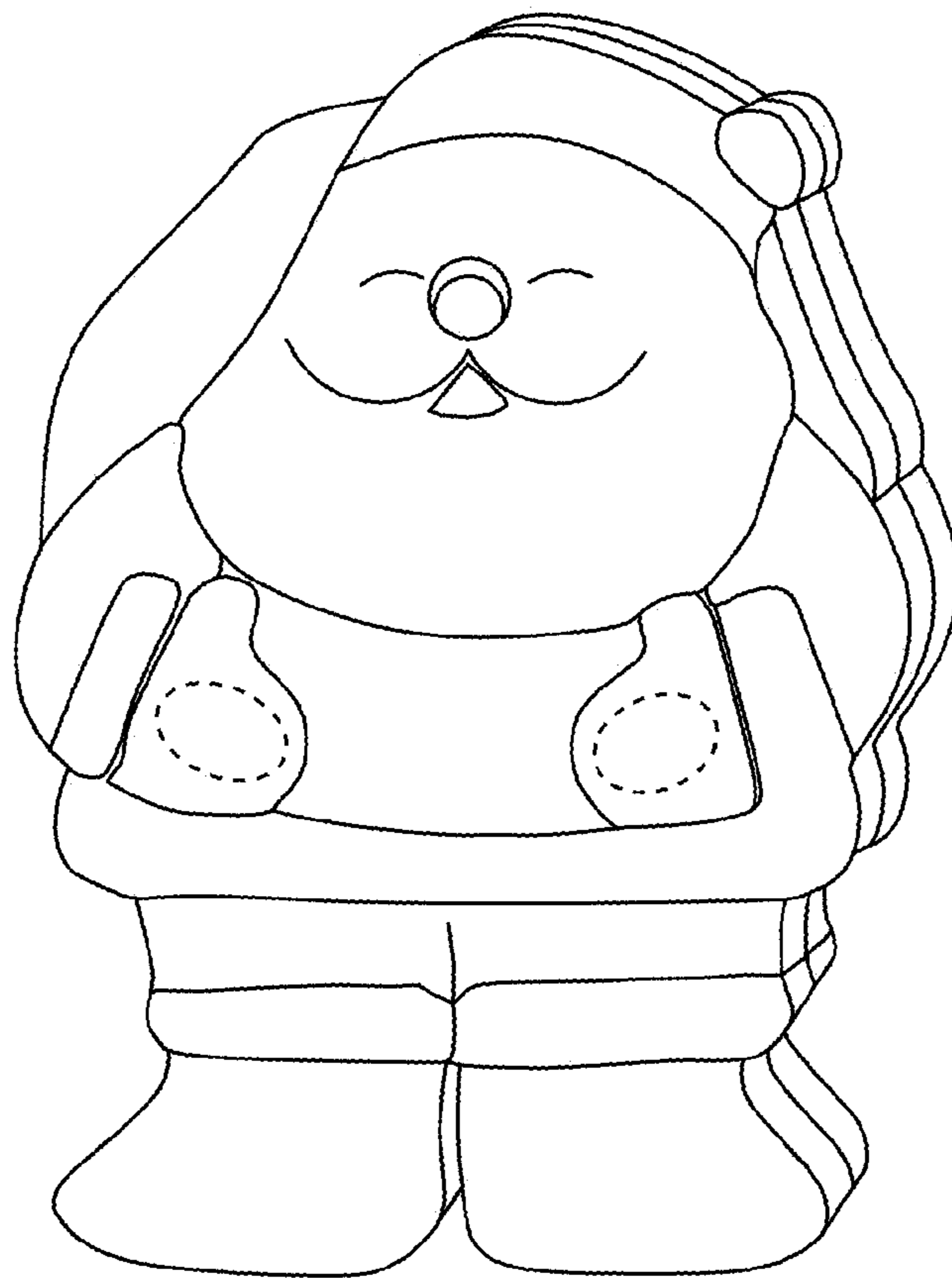


FIG. 1

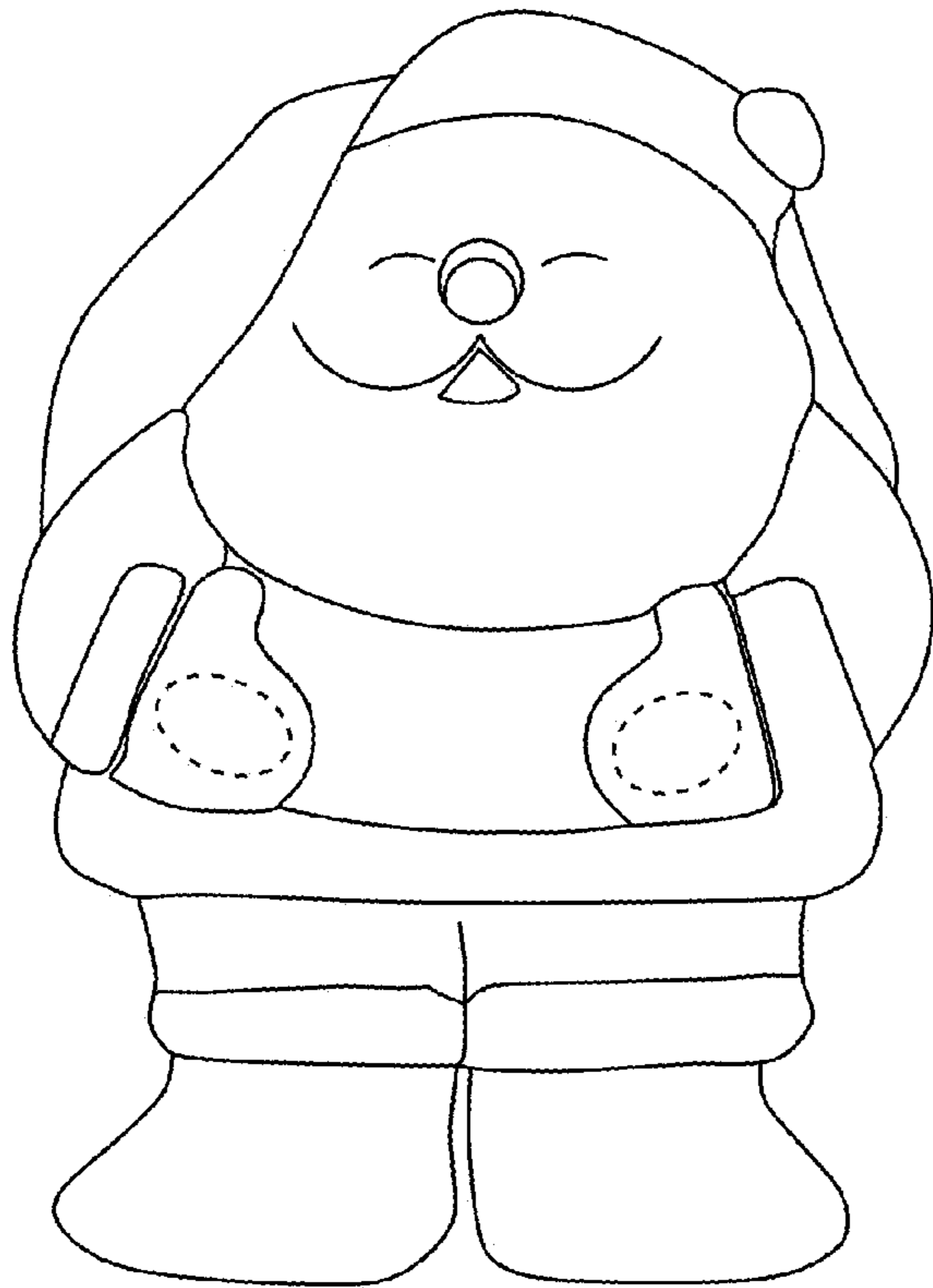


FIG. 2

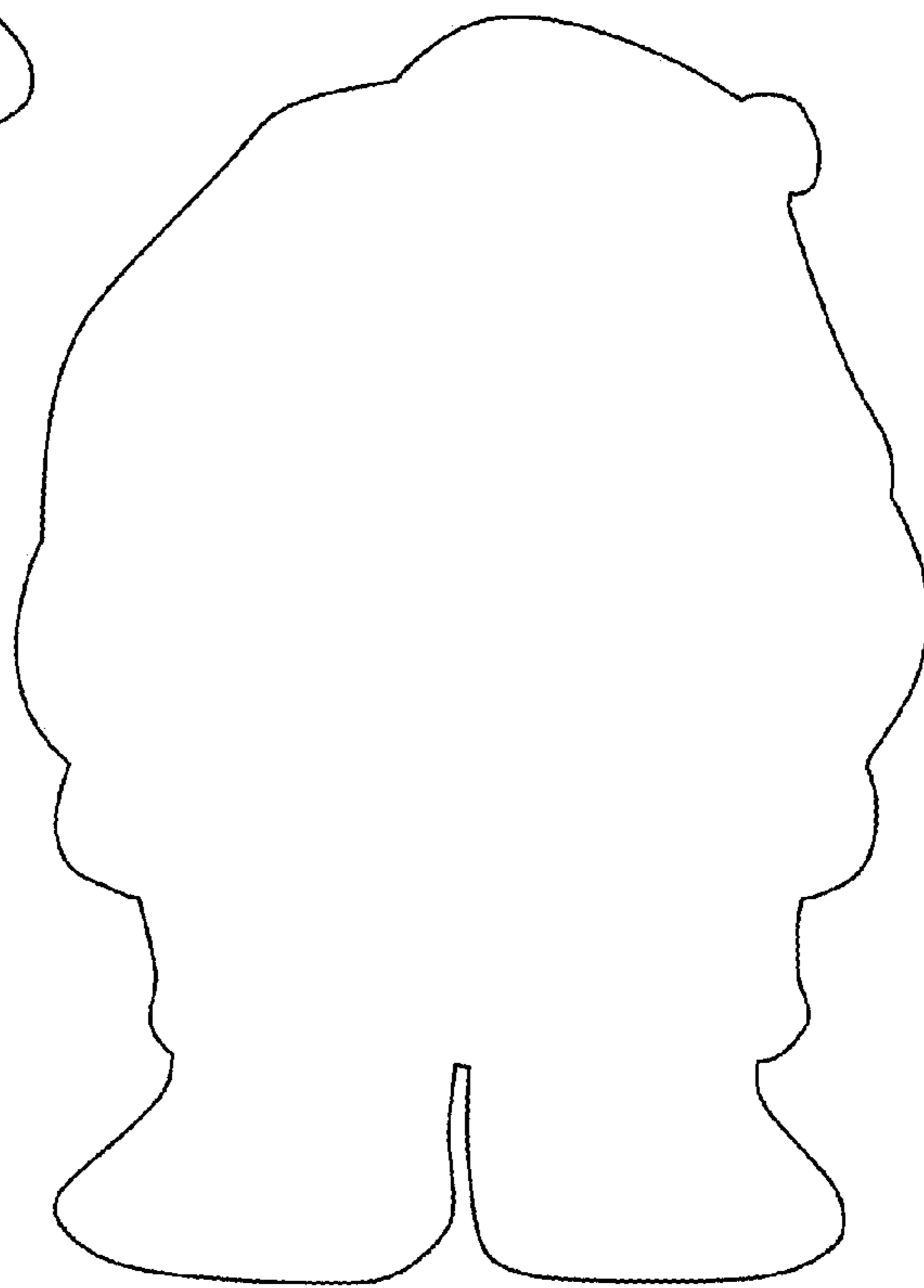


FIG. 3

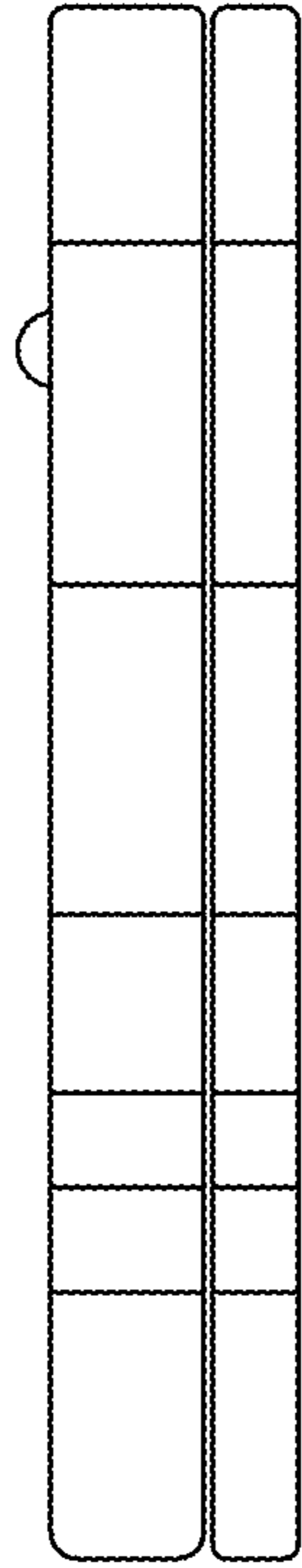


FIG. 4

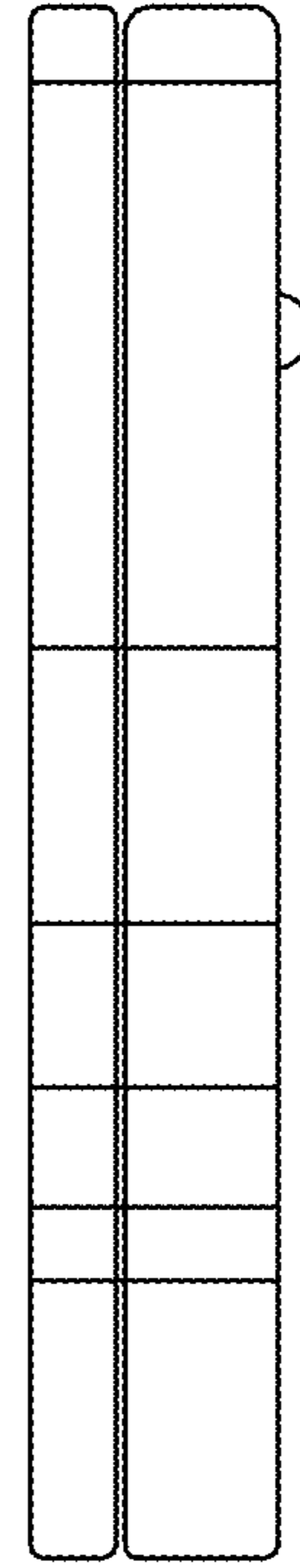


FIG. 5

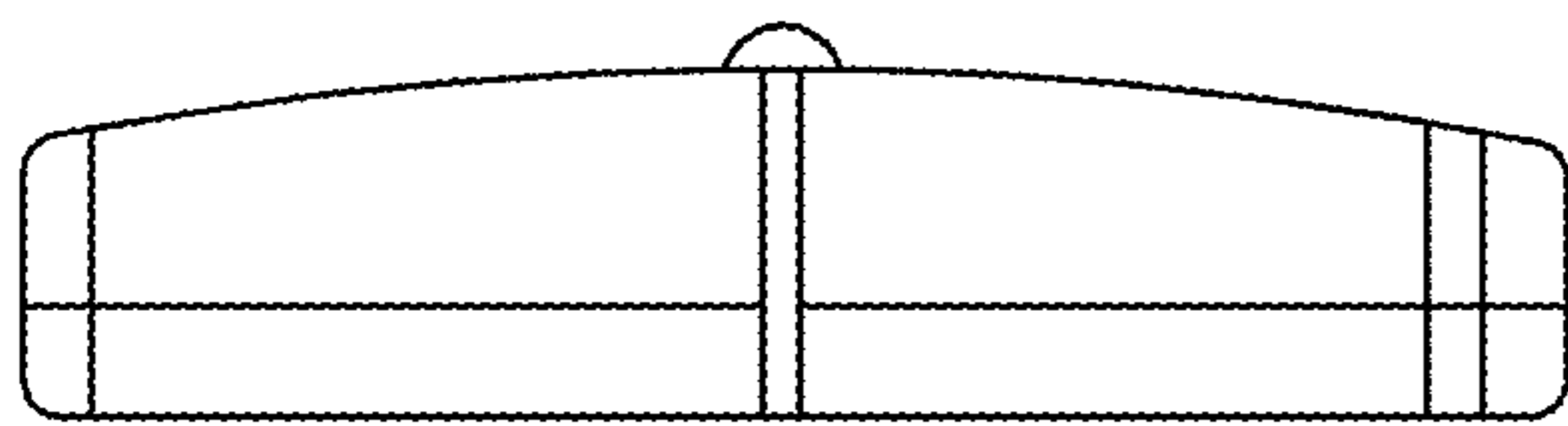


FIG. 6

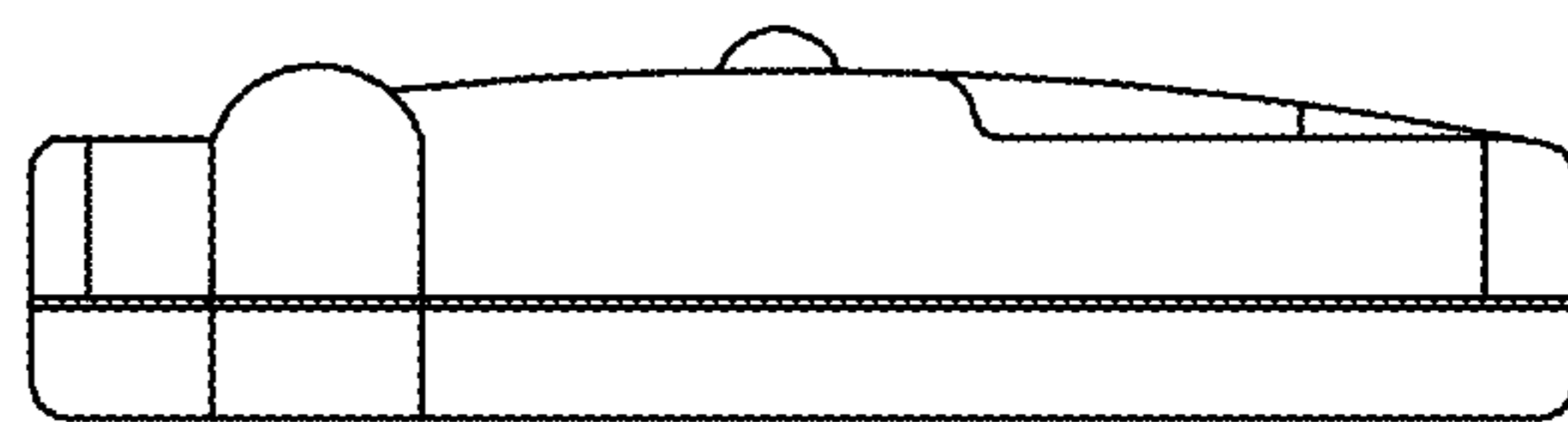


FIG. 7