



US00D769846S

(12) **United States Design Patent** (10) **Patent No.:** **US D769,846 S**
Hong et al. (45) **Date of Patent:** **** Oct. 25, 2016**

(54) **SPEAKER**

(71) Applicant: **Samsung Electronics Co., Ltd.**,
Suwon-si (KR)
(72) Inventors: **Seung-Se Hong**, Yongin-si (KR); **Allan Devantier**, Valencia, CA (US); **Colby James Buddelmeyer**, Valencia, CA (US); **William DeCanio**, Valencia, CA (US); **Andri Bezzola**, Valencia, CA (US); **Freddy Martinez**, Valencia, CA (US); **Glenn S. Kubota**, Valencia, CA (US)
(73) Assignee: **SAMSUNG ELECTRONICS CO., LTD.** (KR)

(**) Term: **15 Years**

(21) Appl. No.: **29/532,596**

(22) Filed: **Jul. 8, 2015**

(30) **Foreign Application Priority Data**

Jan. 8, 2015 (KR) 30-2015-0000938

(51) **LOC (10) Cl.** **14-03**

(52) **U.S. Cl.**
USPC **D14/216**

(58) **Field of Classification Search**

USPC D14/167, 168, 170-172, 188, 194-196, D14/204, 207, 209.1, 210-216, 219, 221, D14/222, 224, 239, 496; 181/143, 144, 147, 181/148, 150, 153, 157, 198, 199; 381/300-303, 306, 332, 333, 336, 345, 381/361-364, 386-388; 369/6-12
CPC ... B60R 11/0217; G06F 1/1688; G10K 9/22; G10K 11/004; H03K 1/327; H04M 1/03; H04M 1/035; H04N 5/642; H04N 21/4852; H04R 1/02; H04R 1/06; H04R 1/021; H04R 1/025; H04R 1/026; H04R 1/028; H04R 1/105; H04R 1/323; H04R 1/403; H04R 1/2803; H04R 1/2834; H04R 5/02; H04R 7/20; H04R 9/06; H04R 9/025; H04R 2201/021; H04R 2400/00; H04R 2400/07; H04R 2499/11; H04R 2499/13; H04R 2499/15; H04S 3/00; H04S 7/30

See application file for complete search history.

(56) **References Cited**

U.S. PATENT DOCUMENTS

D303,970 S * 10/1989 Collins D14/204
D518,026 S 3/2006 Dayan

(Continued)

FOREIGN PATENT DOCUMENTS

EM 0010353150001 7/2008
EM 0020283730005 4/2012

OTHER PUBLICATIONS

Bose, Copyright 1997-2015, [online], Retrieved from the Internet Jul. 8, 2015, <URL:http://www.bose.com/controller?url=shop_online/speakers/outdoor_marine_speakers/freespace_51/index.jsp>.

Primary Examiner — Keli L Hill

(74) *Attorney, Agent, or Firm* — Cantor Colburn LLP

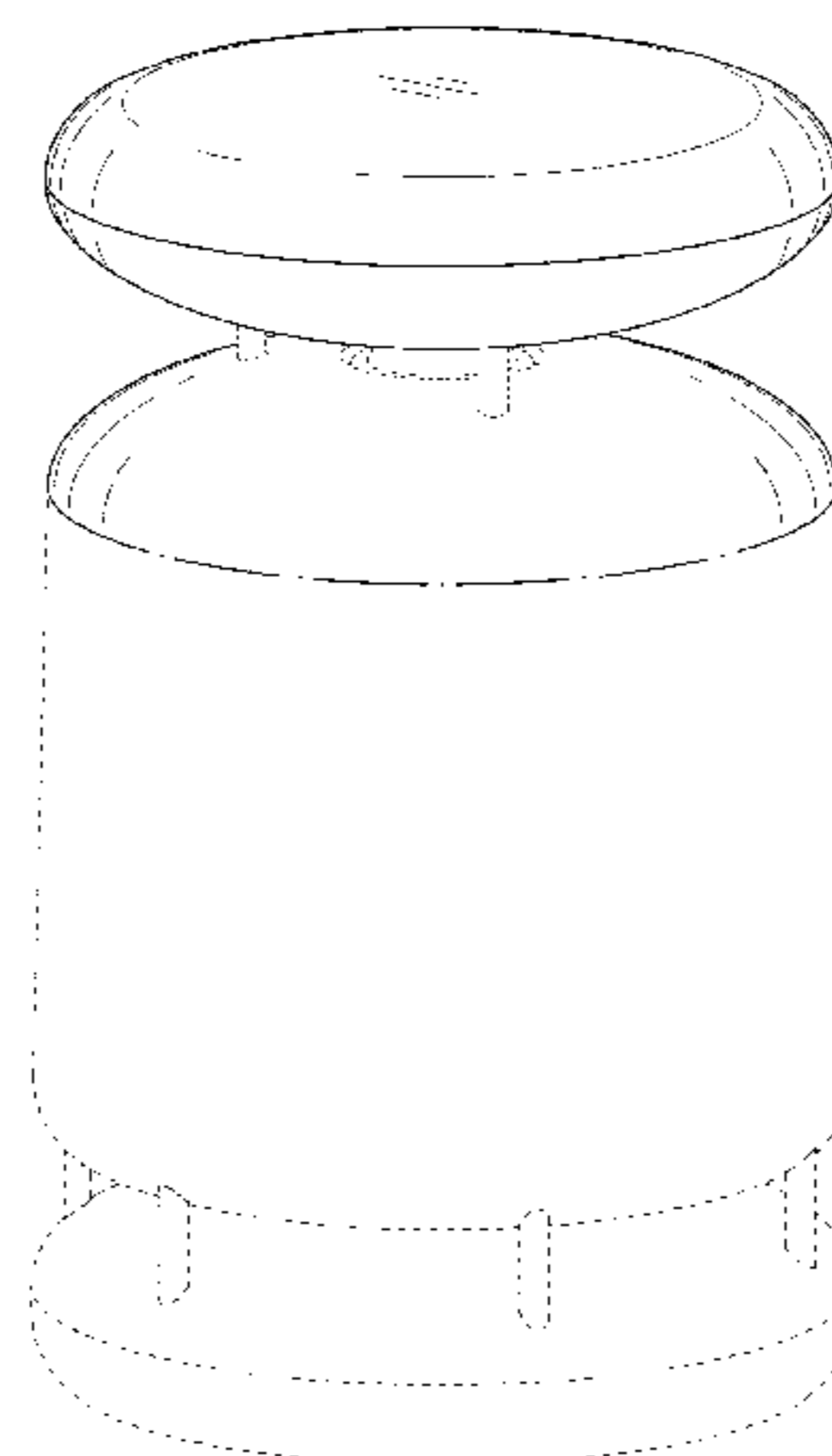
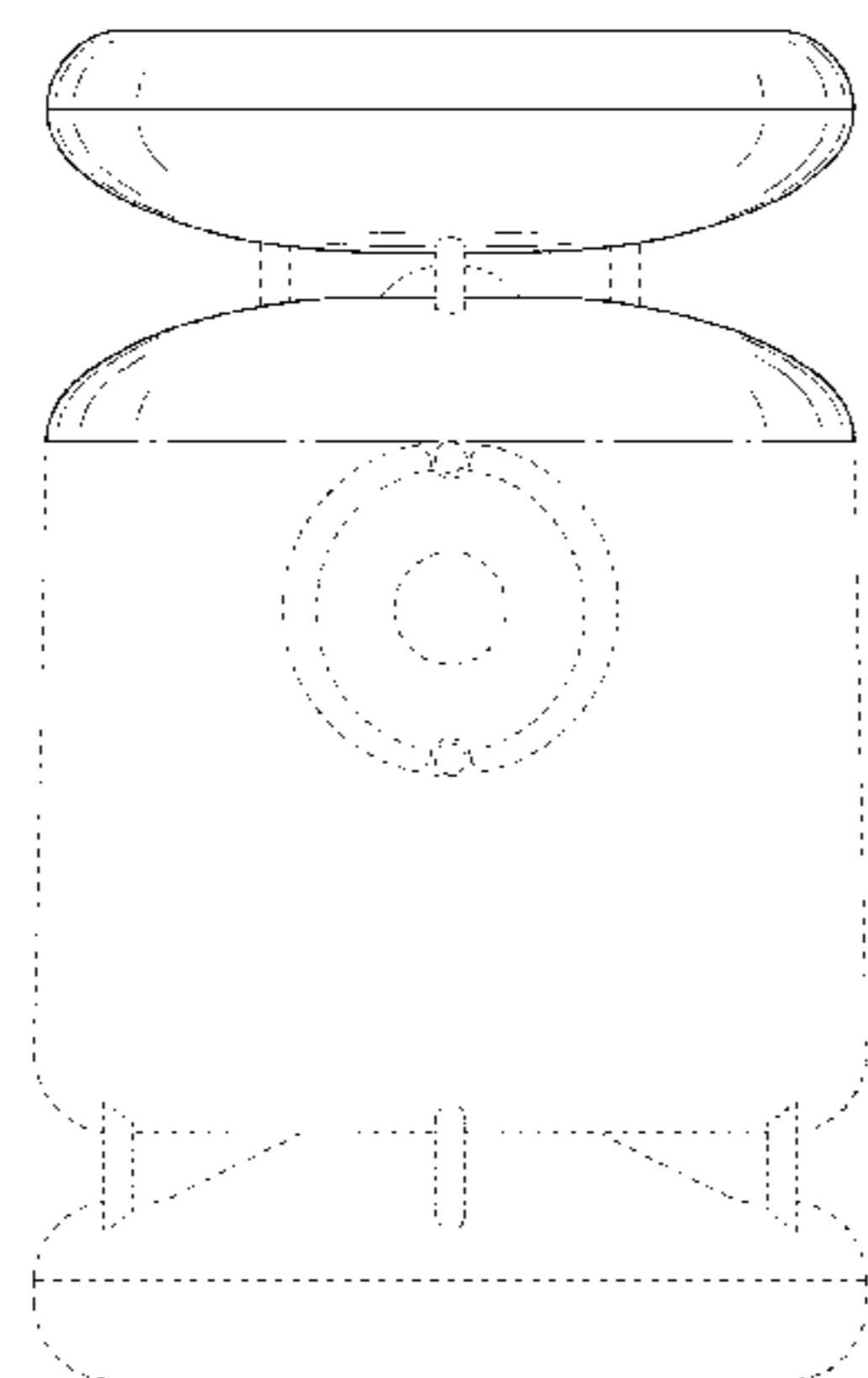
(57) **CLAIM**

The ornamental design for a speaker, as shown and described.

DESCRIPTION

FIG. 1 is a perspective view of a speaker, showing our new design;
FIG. 2 is a front view thereof;
FIG. 3 is a rear view thereof;
FIG. 4 is a side view thereof;
FIG. 5 is another side view thereof;
FIG. 6 is a top view thereof;
FIG. 7 is a bottom view thereof; and,
FIG. 8 is another perspective view thereof.
The broken lines illustrating portions of the speaker form no part of the claimed design.
The dot dash broken lines in the figures represent an unclaimed boundary line and form no part of the claimed design.

1 Claim, 8 Drawing Sheets



US D769,846 S

Page 2

(56)

References Cited

U.S. PATENT DOCUMENTS

D534,525 S 1/2007 Peng
D563,391 S * 3/2008 Skurdal D14/172
D615,530 S * 5/2010 Dobson D14/216

D638,530 S * 5/2011 Smith D23/358
D693,330 S * 11/2013 Lee D14/215
D714,923 S * 10/2014 Engelhard D23/364
D755,750 S * 5/2016 Chen D14/172

* cited by examiner

FIG. 1

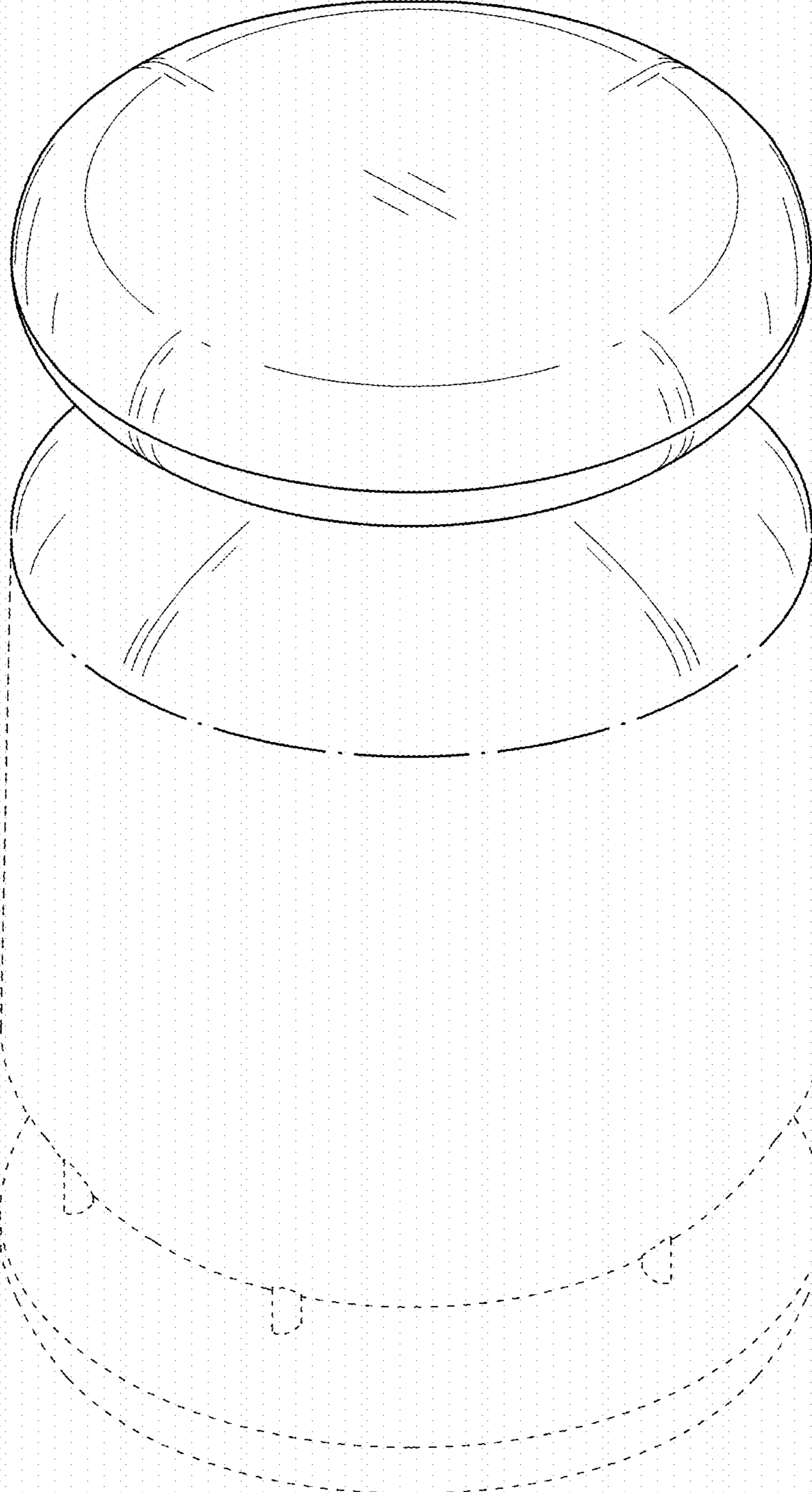


FIG. 2

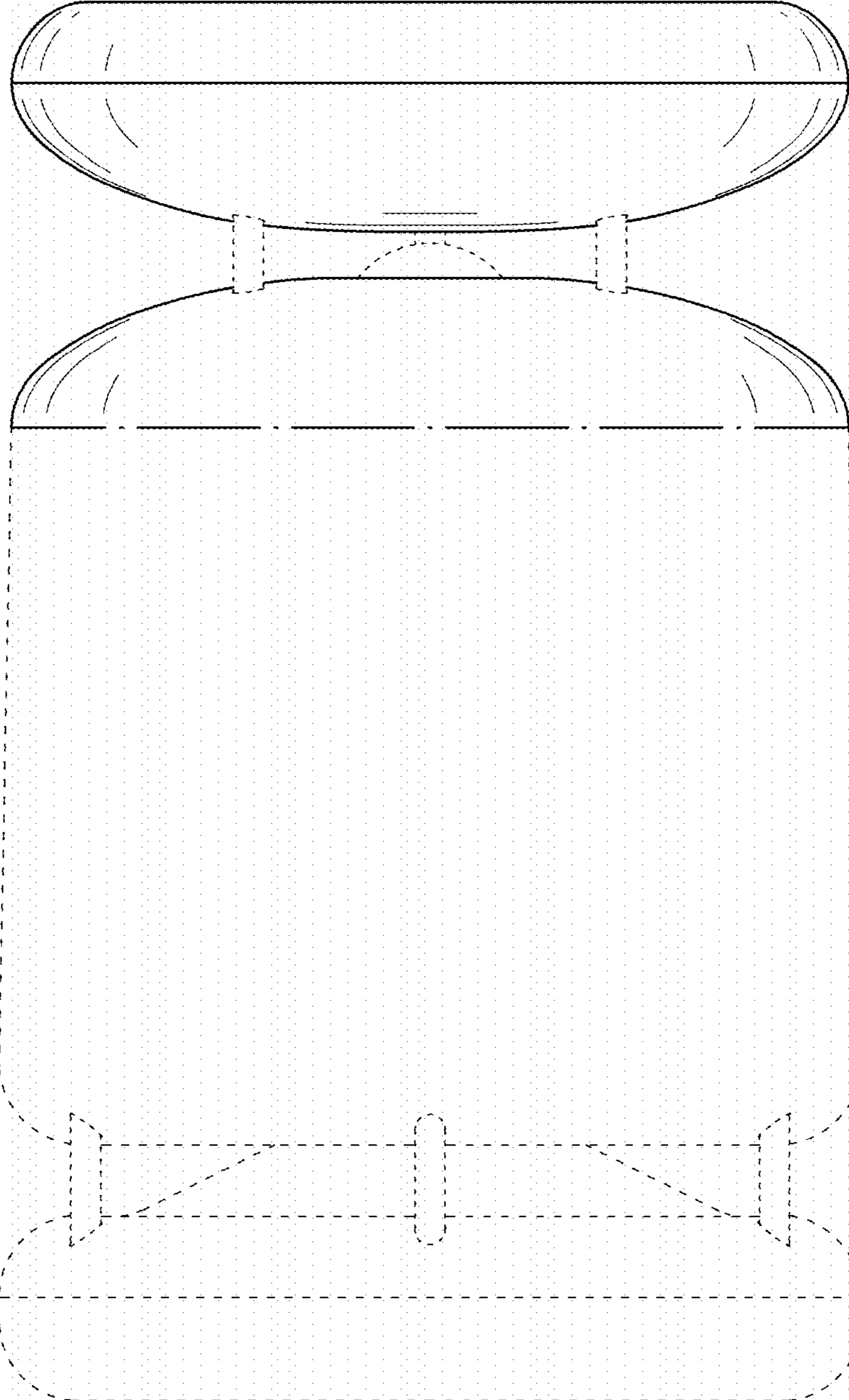


FIG. 3

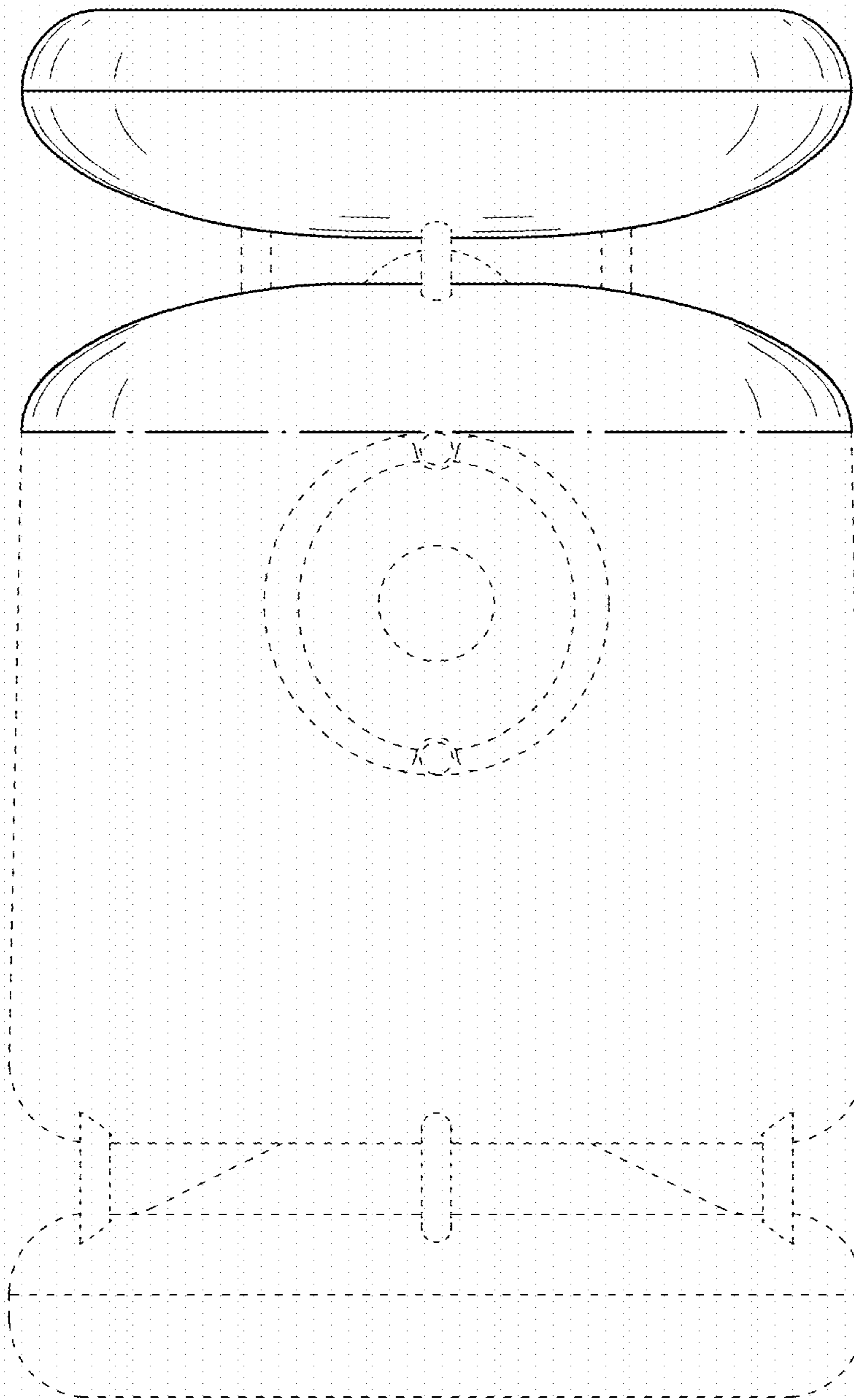


FIG. 4

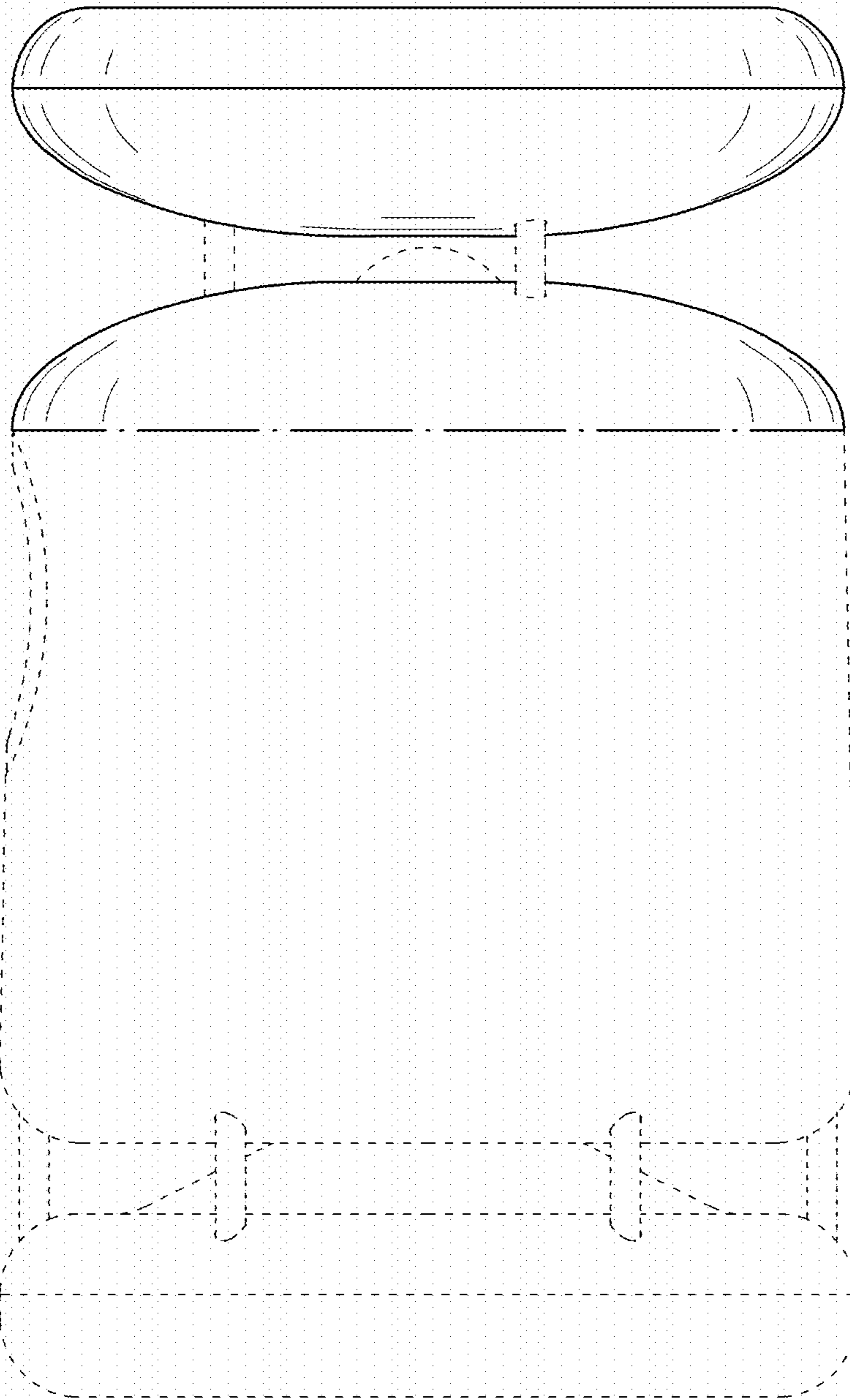


FIG. 5

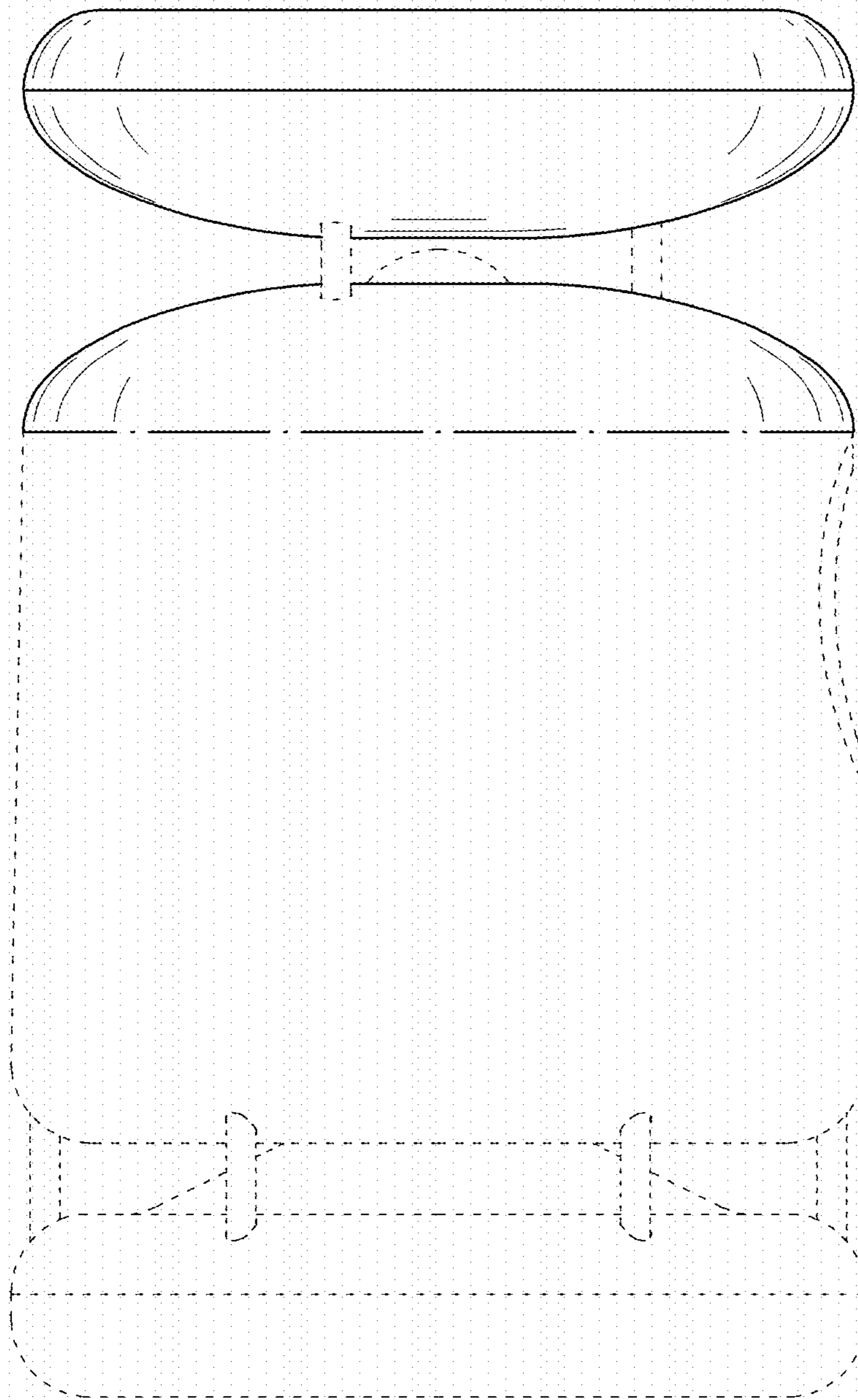


FIG. 6

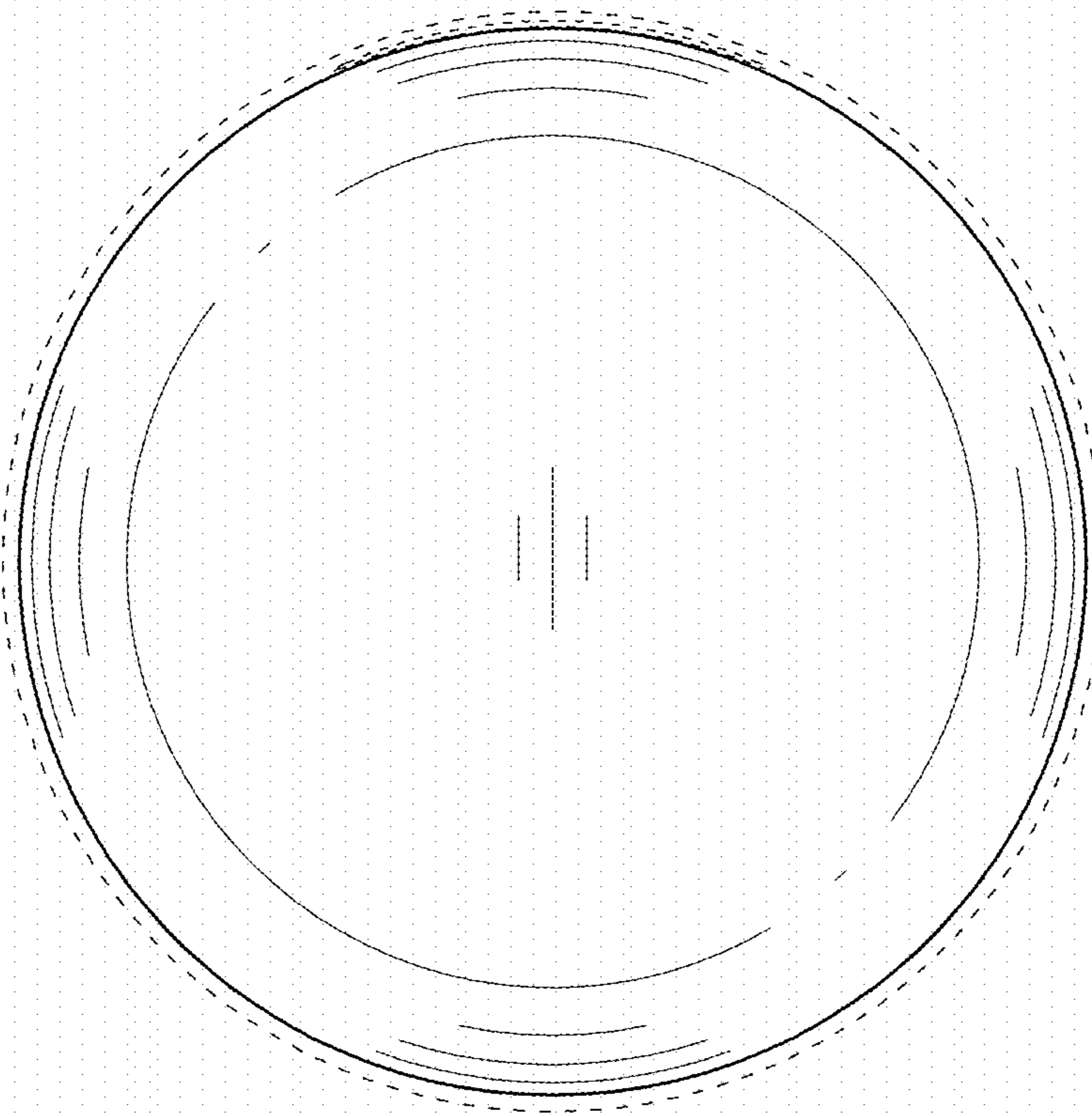


FIG. 7

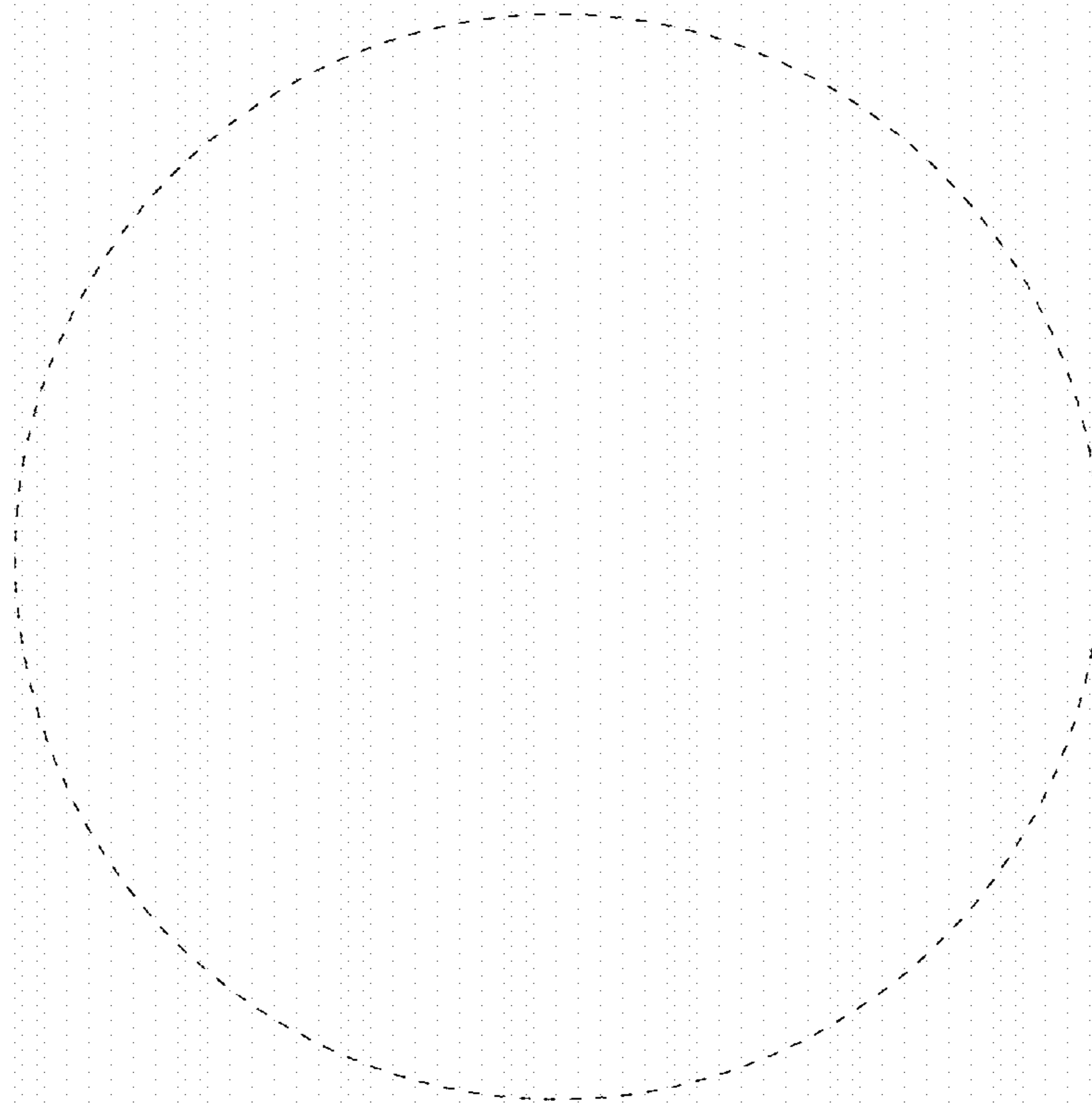


FIG. 8

