



US00D769842S

(12) **United States Design Patent**
Rouffiat

(10) **Patent No.:** **US D769,842 S**

(45) **Date of Patent:** **** Oct. 25, 2016**

(54) **HEADPHONES**

(71) Applicant: **Harman International Industries, Incorporated**, Northridge, CA (US)

(72) Inventor: **Cyrille Rouffiat**, Shenzhen (CN)

(73) Assignee: **Harman International Industries, Incorporated**, Northridge, CA (US)

(**) Term: **15 Years**

(21) Appl. No.: **29/538,503**

(22) Filed: **Sep. 3, 2015**

(51) **LOC (10) Cl.** **14-01**

(52) **U.S. Cl.**
USPC **D14/205**

(58) **Field of Classification Search**
USPC D14/205, 188, 192; D29/112; 2/209;
181/129, 130, 135; 379/430, 431;
381/74, 378, 380, 381, 374; 455/90.1,
455/575.1

CPC .. H04R 1/1066; H04R 1/1016; H04R 5/033;
H04R 5/0335; H04R 1/105; H04R 1/1008
See application file for complete search history.

(56) **References Cited**

U.S. PATENT DOCUMENTS

D68,060	S	*	8/1925	Pacent	D14/249
3,051,961	A	*	9/1962	Clark	A61F 11/14 181/129
D305,541	S	*	1/1990	Hirose	D14/205
D310,081	S	*	8/1990	Daido	D14/205
D316,861	S	*	5/1991	Yoda	D14/205
D319,241	S	*	8/1991	Daido	D14/205
D337,115	S	*	7/1993	Yamazaki	D14/205
D338,010	S	*	8/1993	Yamatogi	D14/205
D348,465	S	*	7/1994	Yamatogi	D14/205
D351,172	S	*	10/1994	Nakamura	D14/205
D422,592	S	*	4/2000	Deguchi	D14/205
D444,140	S	*	6/2001	Ishibashi	D14/192
D484,485	S	*	12/2003	Matsuoka	D14/205

D494,154	S	*	8/2004	Polito	D14/206
7,072,483	B2	*	7/2006	Lenhard-Backhaus	H04R 1/1066	

						381/370
D534,155	S	*	12/2006	Obata	D14/205
D540,301	S	*	4/2007	Obata	D14/205
D542,774	S	*	5/2007	Rausch	D14/206
D552,077	S	*	10/2007	Brunner	D14/205
D573,581	S	*	7/2008	Gondo	D14/205
D588,100	S	*	3/2009	Densho	D14/205
D593,995	S	*	6/2009	Shimizu	D14/205
D628,554	S	*	12/2010	Tedja	D14/205

(Continued)

Primary Examiner — Paula Greene

(74) *Attorney, Agent, or Firm* — Plumsea Law Group, LLC

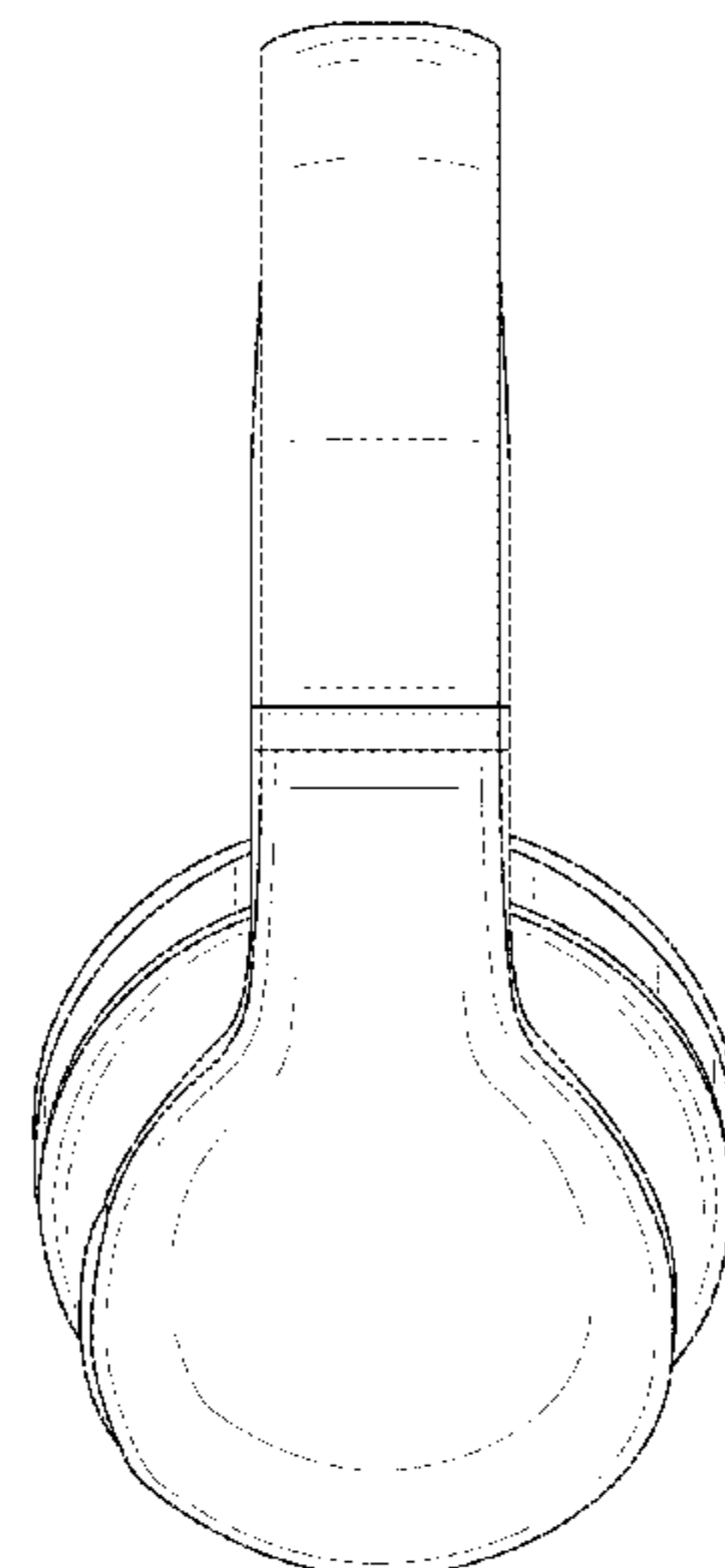
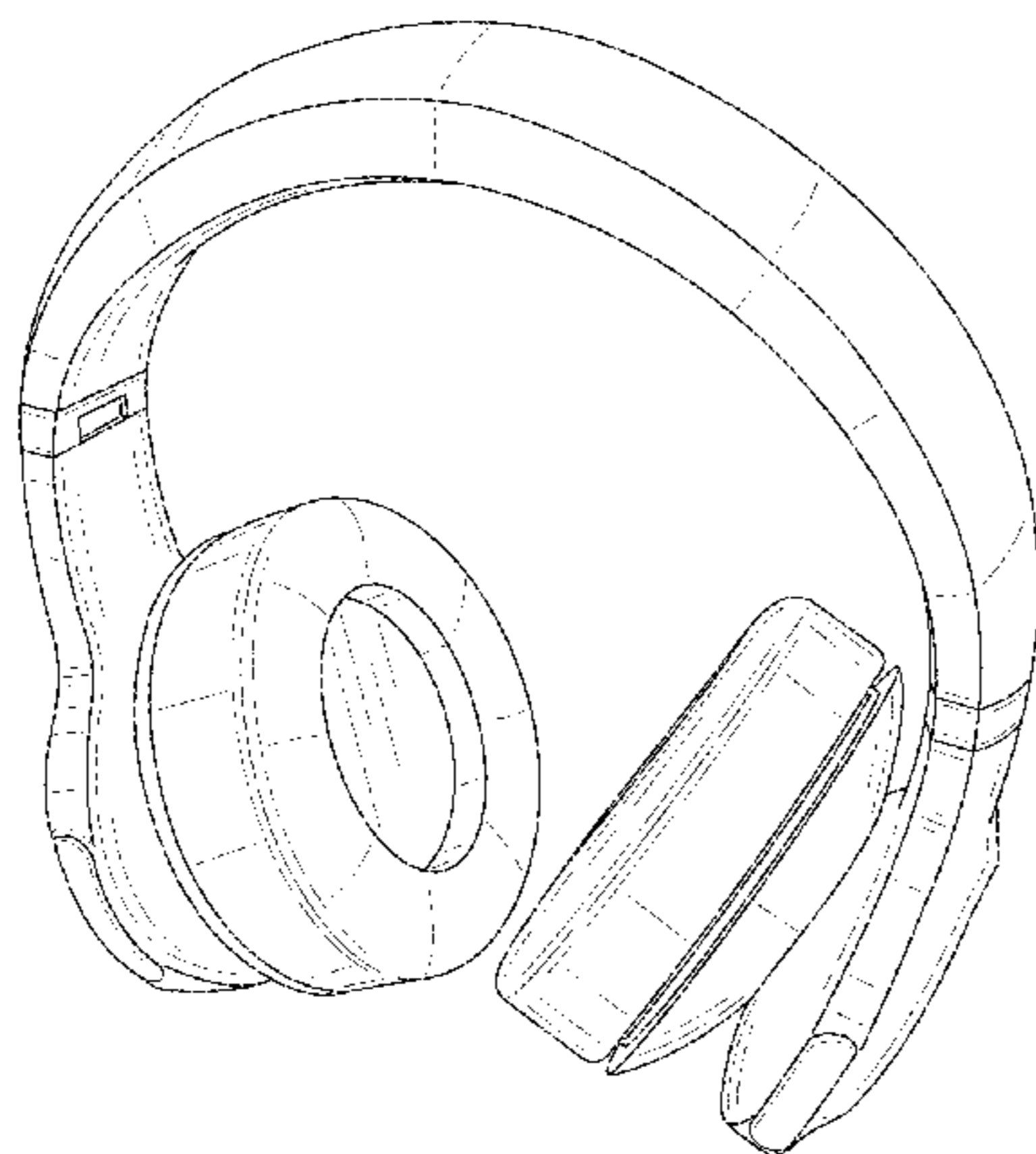
(57) **CLAIM**

The ornamental design for headphones, as shown and described.

DESCRIPTION

FIG. 1 is a perspective view of headphones showing my new design;
 FIG. 2 is a front elevational view thereof;
 FIG. 3 is a rear elevational view thereof;
 FIG. 4 is a side elevational view of one side thereof;
 FIG. 5 is a side elevational view of the opposite side thereof;
 FIG. 6 is a top plan view thereof;
 FIG. 7 is a bottom plan view thereof;
 FIG. 8 is a perspective view of headphones in accordance with another embodiment of my new design;
 FIG. 9 is a front elevational view thereof;
 FIG. 10 is a rear elevational view thereof;
 FIG. 11 is a side elevational view of one side thereof;
 FIG. 12 is a side elevational view of the opposite side thereof;
 FIG. 13 is a top plan view thereof; and,
 FIG. 14 is a bottom plan view thereof.
 The broken line showings form no part of the claimed design.

1 Claim, 14 Drawing Sheets



(56)

References Cited

U.S. PATENT DOCUMENTS

D632,668 S *	2/2011	Brunner	D14/205	D680,516 S *	4/2013	Lee	D14/205
D639,776 S *	6/2011	Arimoto	D14/205	D691,579 S *	10/2013	Lee	D14/205
D652,406 S *	1/2012	Lee	D14/205	D697,495 S *	1/2014	Lian	D14/205
D657,344 S *	4/2012	Brunner	D14/205	D697,895 S *	1/2014	Lee	D14/205
8,213,662 B2 *	7/2012	Ishida	H04R 1/1008	D697,897 S *	1/2014	Lee	D14/205
				381/345	D699,702 S *	2/2014	Chen	D14/205
D669,451 S *	10/2012	Tappeiner	D14/205	D716,256 S *	10/2014	Ang	D14/205
8,325,962 B2 *	12/2012	Ishida	H04R 5/0335	D739,842 S *	9/2015	Birger	D14/205
				381/370	9,319,770 B2 *	4/2016	Oishi	H04R 1/105
D673,518 S *	1/2013	Tan	D14/205	9,344,794 B1 *	5/2016	Blonder	H04R 1/1066
D675,595 S *	2/2013	Cho	D14/205	D763,820 S *	8/2016	Mchatet	D14/205
D678,859 S *	3/2013	Lee	D14/205	2013/0087404 A1 *	4/2013	Peskar	B29C 44/146
									181/129
					2013/0343591 A1 *	12/2013	Brunner	H04R 1/1066
									381/371

* cited by examiner



FIG. 1



FIG. 2



FIG. 3

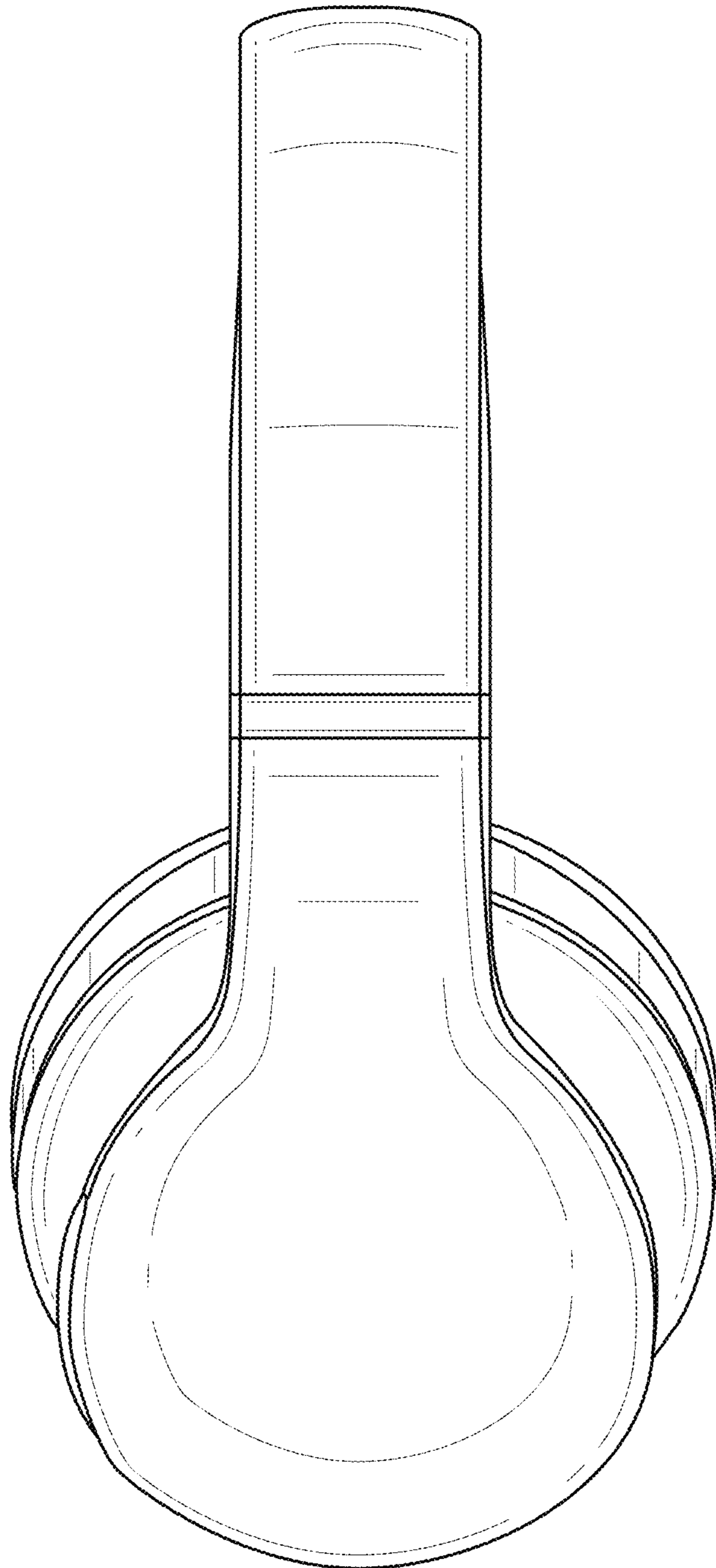


FIG. 4

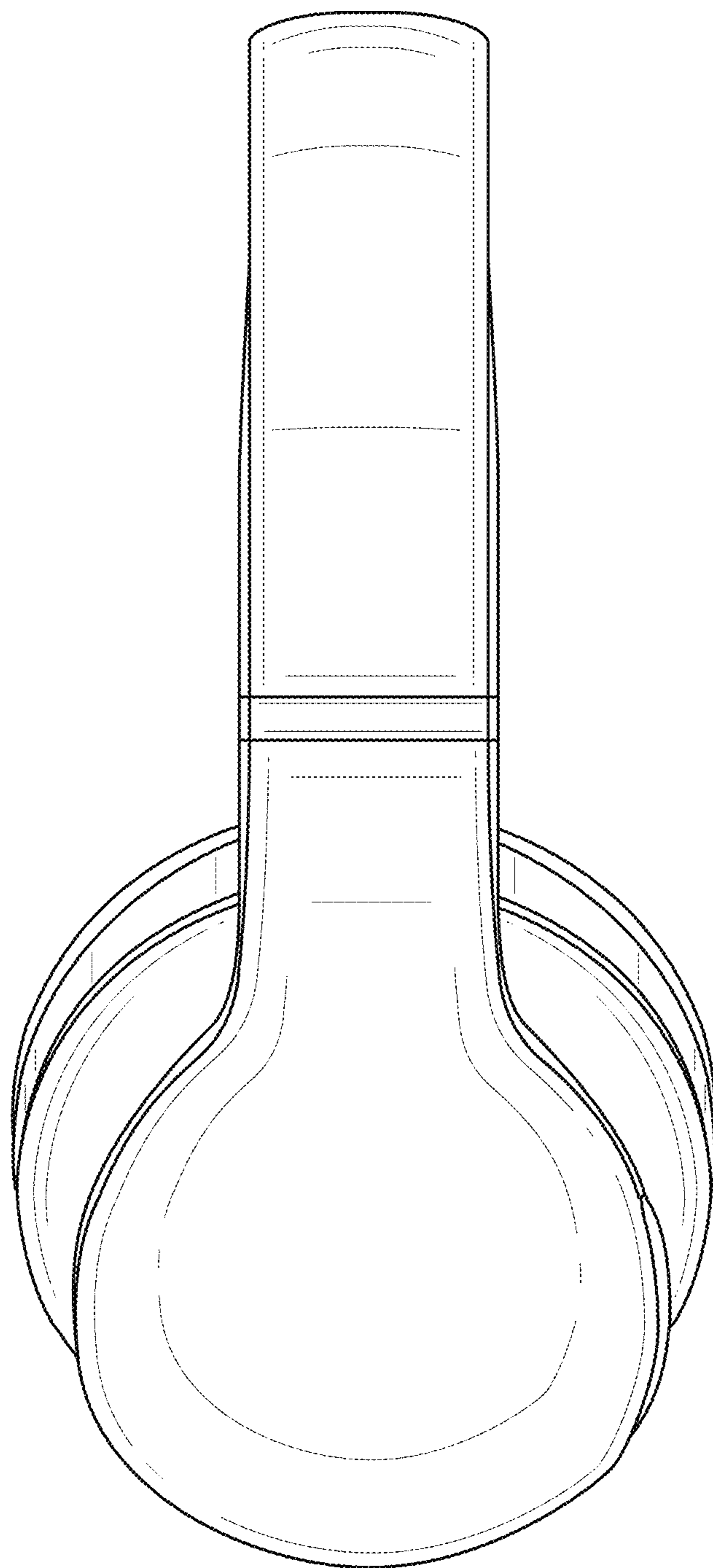


FIG. 5

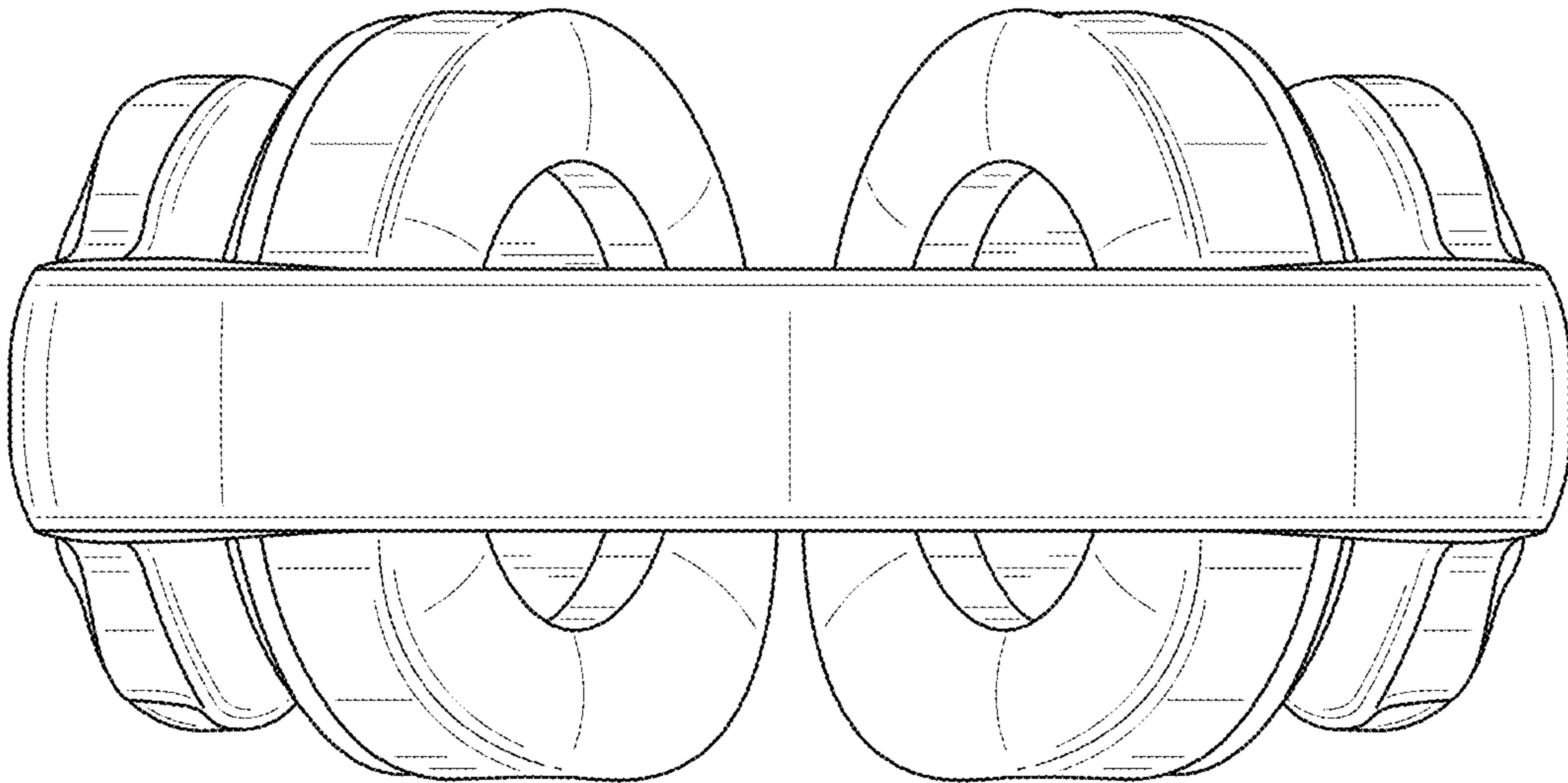


FIG. 6

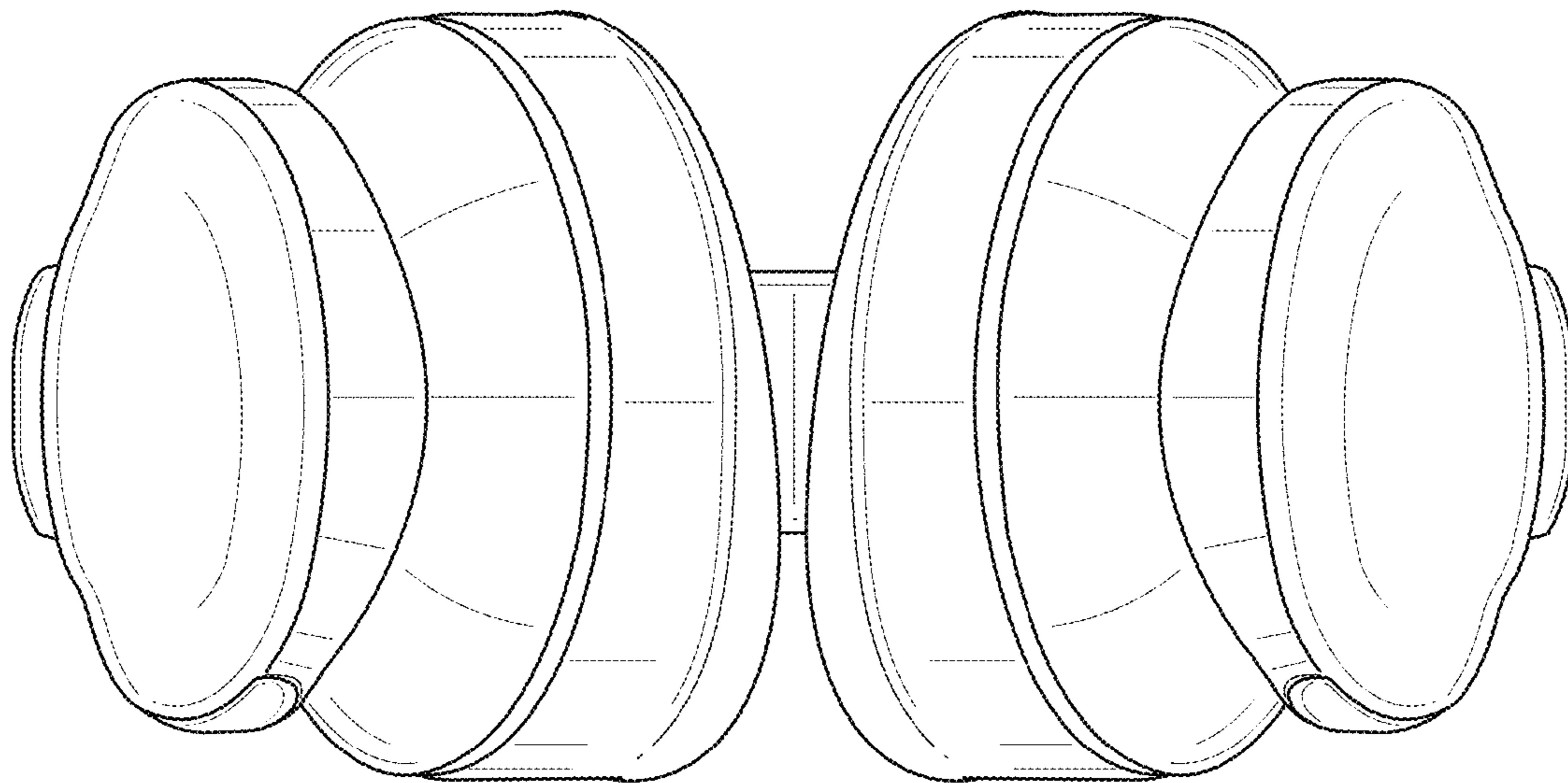


FIG. 7



FIG. 8



FIG. 9



FIG. 10

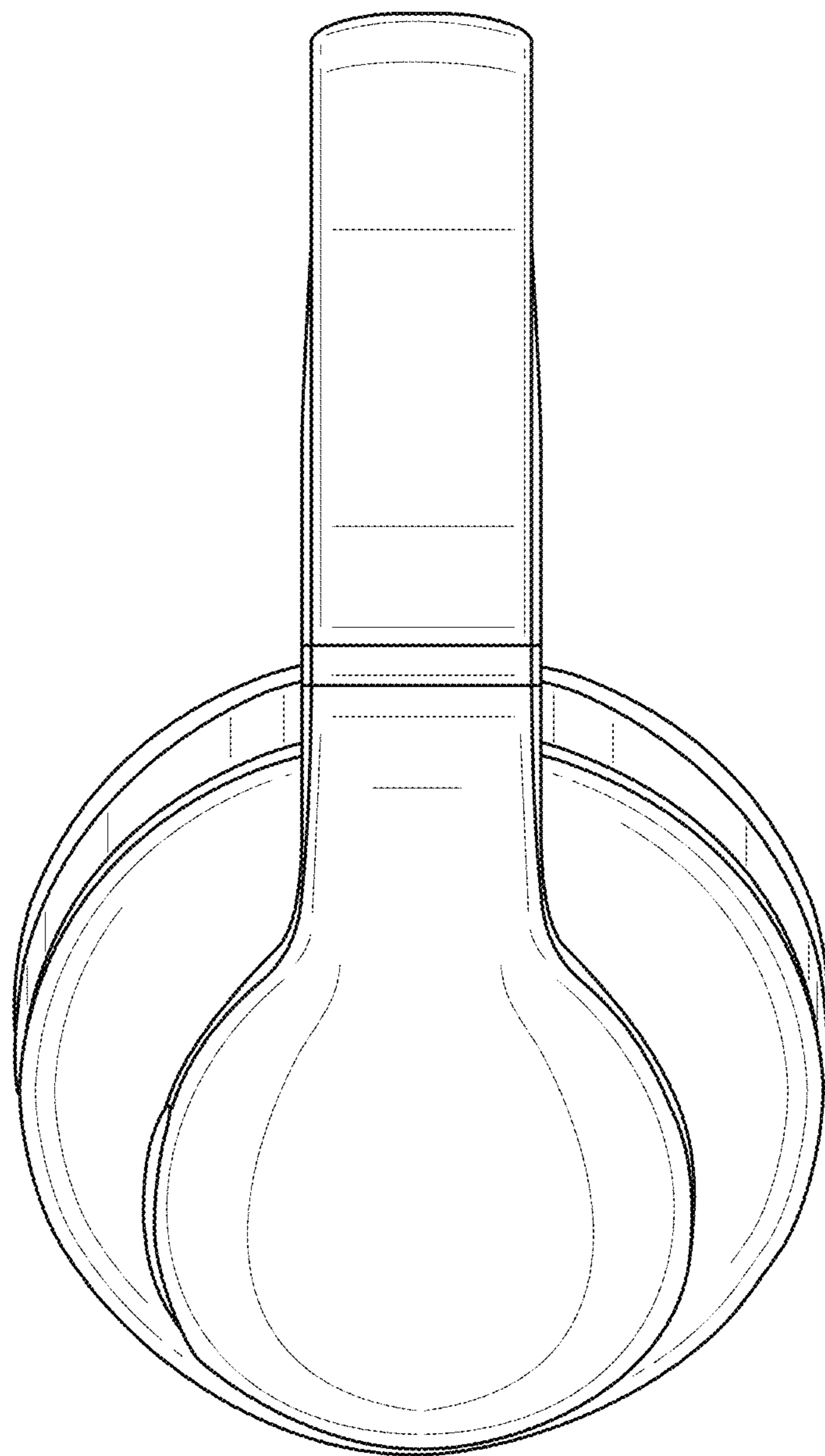


FIG. 11

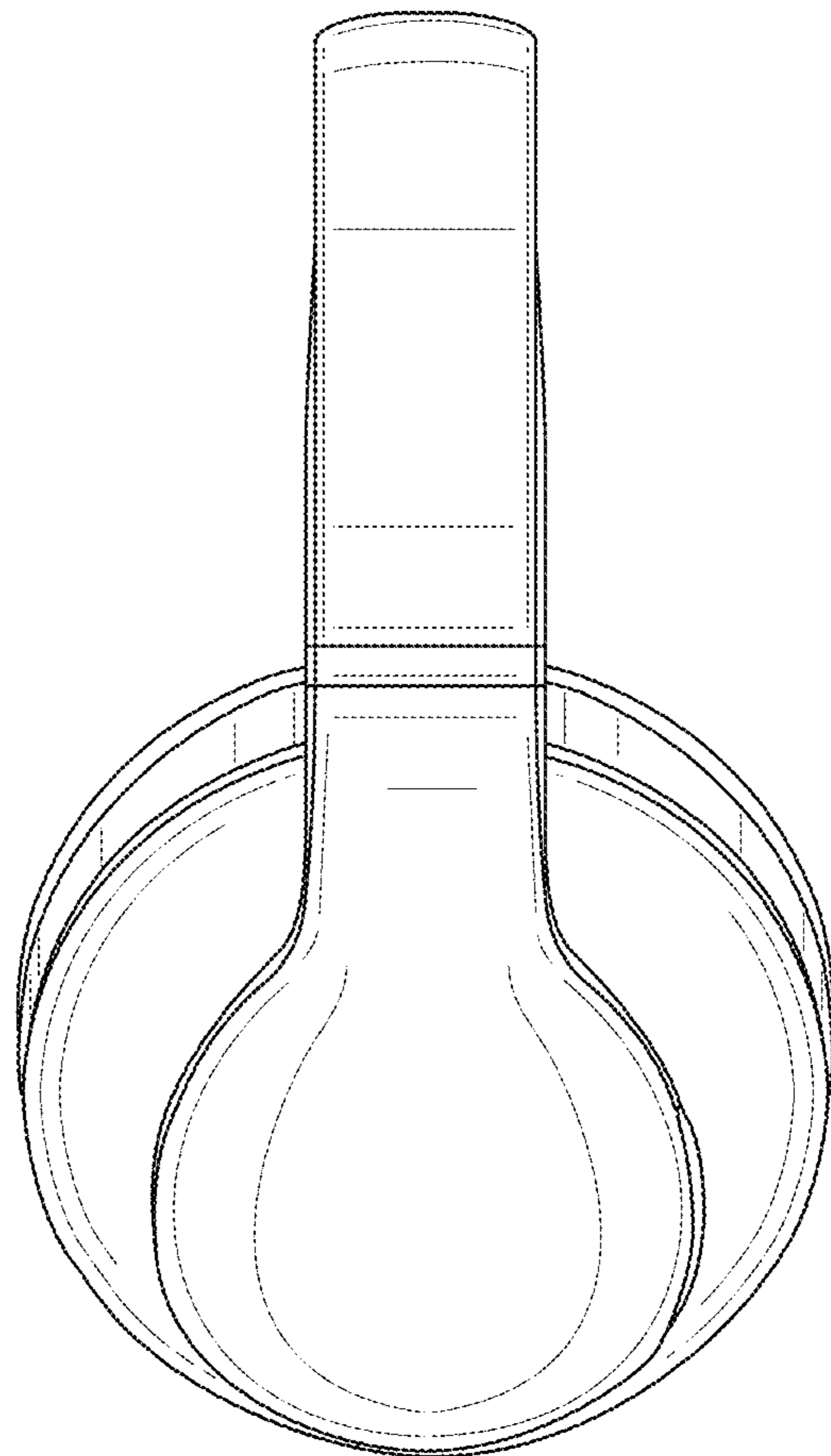


FIG. 12

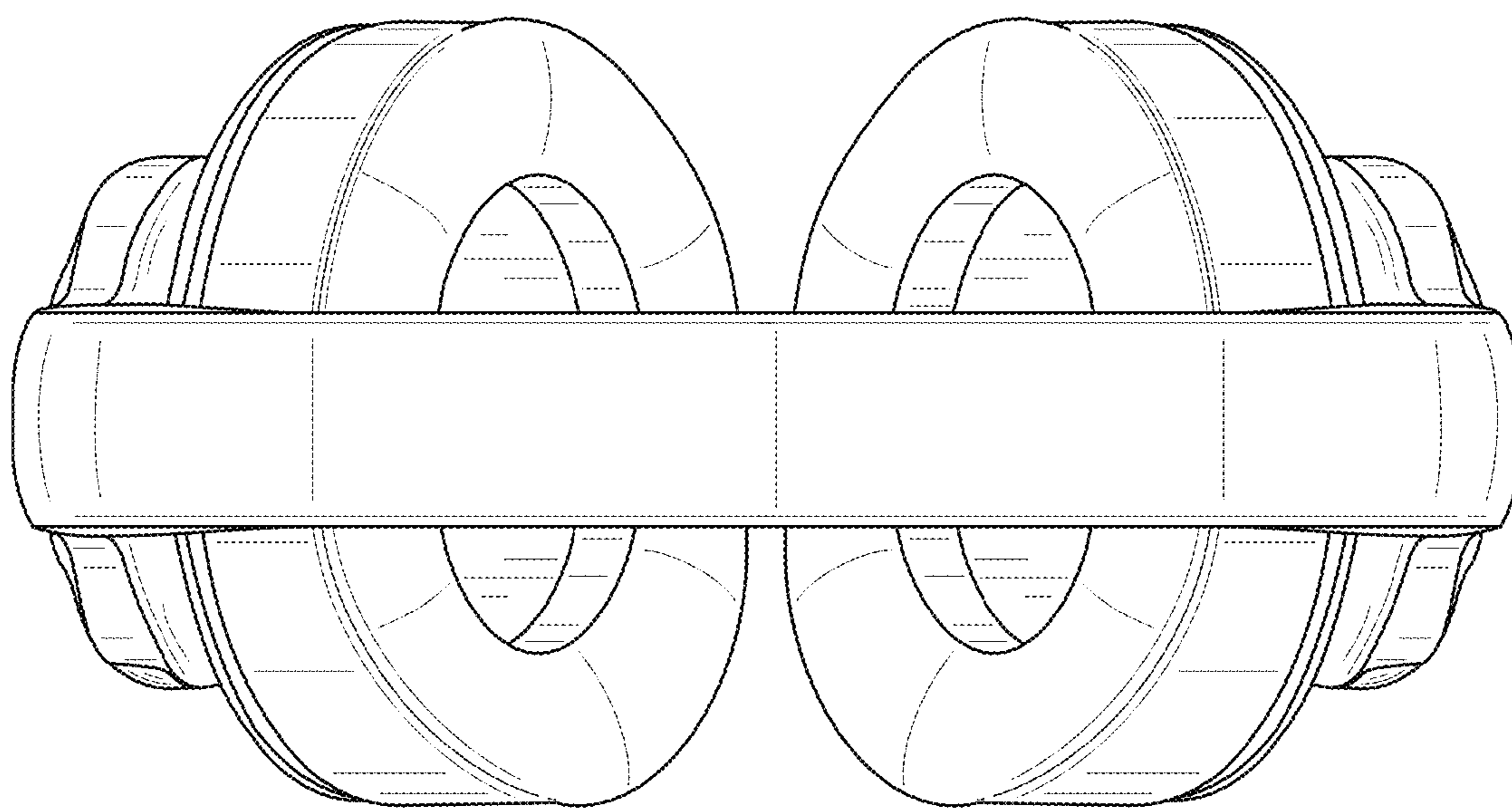


FIG. 13

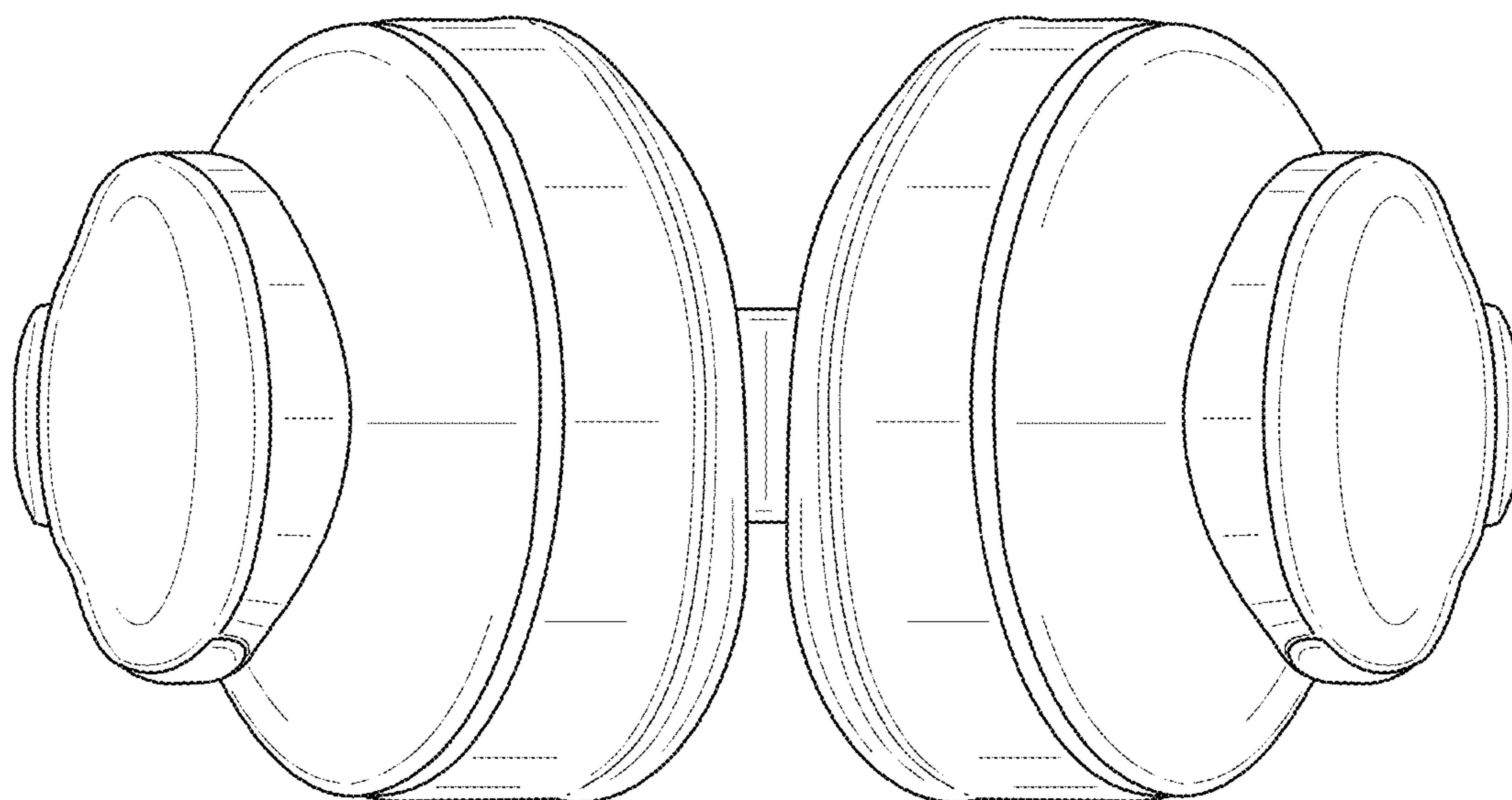


FIG. 14