

US00D769841S

(12) **United States Design Patent**  
**Sahlén**

(10) **Patent No.:** **US D769,841 S**  
(45) **Date of Patent:** **\*\* Oct. 25, 2016**

(54) **HEADPHONE**

(71) Applicant: **JAYS AB**, Stockholm (SE)

(72) Inventor: **Mårten Sahlén**, Stockholm (SE)

(73) Assignee: **JAYS AB** (SE)

(\*\*) Term: **15 Years**

(21) Appl. No.: **29/528,174**

(22) Filed: **May 27, 2015**

(30) **Foreign Application Priority Data**

May 13, 2015 (EM) ..... 002700153-0001

May 13, 2015 (EM) ..... 002700153-0002

(51) **LOC (10) Cl.** ..... **14-01**

(52) **U.S. Cl.**  
USPC ..... **D14/205**

(58) **Field of Classification Search**

USPC ..... D14/205, 188, 192; D29/112; 2/209;  
181/129, 130, 135; 379/430, 431;  
455/90.1, 575.1

CPC .. H04R 1/1066; H04R 1/1016; H04R 25/00;  
H04R 1/10

See application file for complete search history.

(56) **References Cited**

**U.S. PATENT DOCUMENTS**

- 1,127,161 A \* 2/1915 Baldwin ..... H04R 5/0335  
381/379
- 1,555,997 A \* 10/1925 Lidberg ..... H04R 1/1066  
381/374
- 1,573,839 A \* 2/1926 Leich ..... H04R 1/1066  
381/374
- 2,537,201 A \* 1/1951 Amfitheatrof ..... A61F 11/008  
181/136
- 4,409,447 A \* 10/1983 Noeske ..... H01H 33/91  
218/57
- 4,634,816 A \* 1/1987 O'Malley ..... H04M 1/05  
379/430
- D297,324 S \* 8/1988 Kohno ..... D14/205
- D316,861 S \* 5/1991 Yoda ..... D14/205

- D318,669 S \* 7/1991 Nakayama ..... D14/205
- D328,461 S \* 8/1992 Daido ..... D14/205
- 5,459,290 A \* 10/1995 Yamagishi ..... H04R 1/1075  
181/129
- D373,360 S \* 9/1996 Kanno ..... D14/205
- D377,021 S \* 12/1996 Isono ..... D14/205
- D421,014 S \* 2/2000 Smith ..... D14/205
- D422,592 S \* 4/2000 Deguchi ..... D14/205
- D452,491 S \* 12/2001 Sato ..... D14/205
- 6,792,122 B1 \* 9/2004 Okada ..... H04R 1/26  
381/151
- D502,938 S \* 3/2005 Tokioka ..... D14/205
- D544,464 S \* 6/2007 Lee ..... D14/205
- D584,715 S \* 1/2009 Brennwald ..... D14/205
- D588,098 S \* 3/2009 Kurihara ..... D14/205
- D594,847 S \* 6/2009 Suzuki ..... D14/205
- 7,580,539 B2 \* 8/2009 Tachikawa ..... H04R 1/1066  
381/374
- D600,674 S \* 9/2009 Brennwald ..... D14/205
- D639,776 S \* 6/2011 Arimoto ..... D14/205
- D656,125 S \* 3/2012 Komiyama ..... D14/205
- D665,775 S \* 8/2012 Katsumata ..... D14/205
- D675,595 S \* 2/2013 Cho ..... D14/205
- D684,140 S \* 6/2013 Enquist ..... D14/205
- D684,559 S \* 6/2013 Groset ..... D14/205
- D691,109 S \* 10/2013 Hardi ..... D14/205
- D704,161 S \* 5/2014 Morimoto ..... D14/205
- D706,240 S \* 6/2014 Szymanski ..... D14/205

(Continued)

*Primary Examiner* — Paula Greene

(74) *Attorney, Agent, or Firm* — Schmeiser, Olsen & Watts, LLP

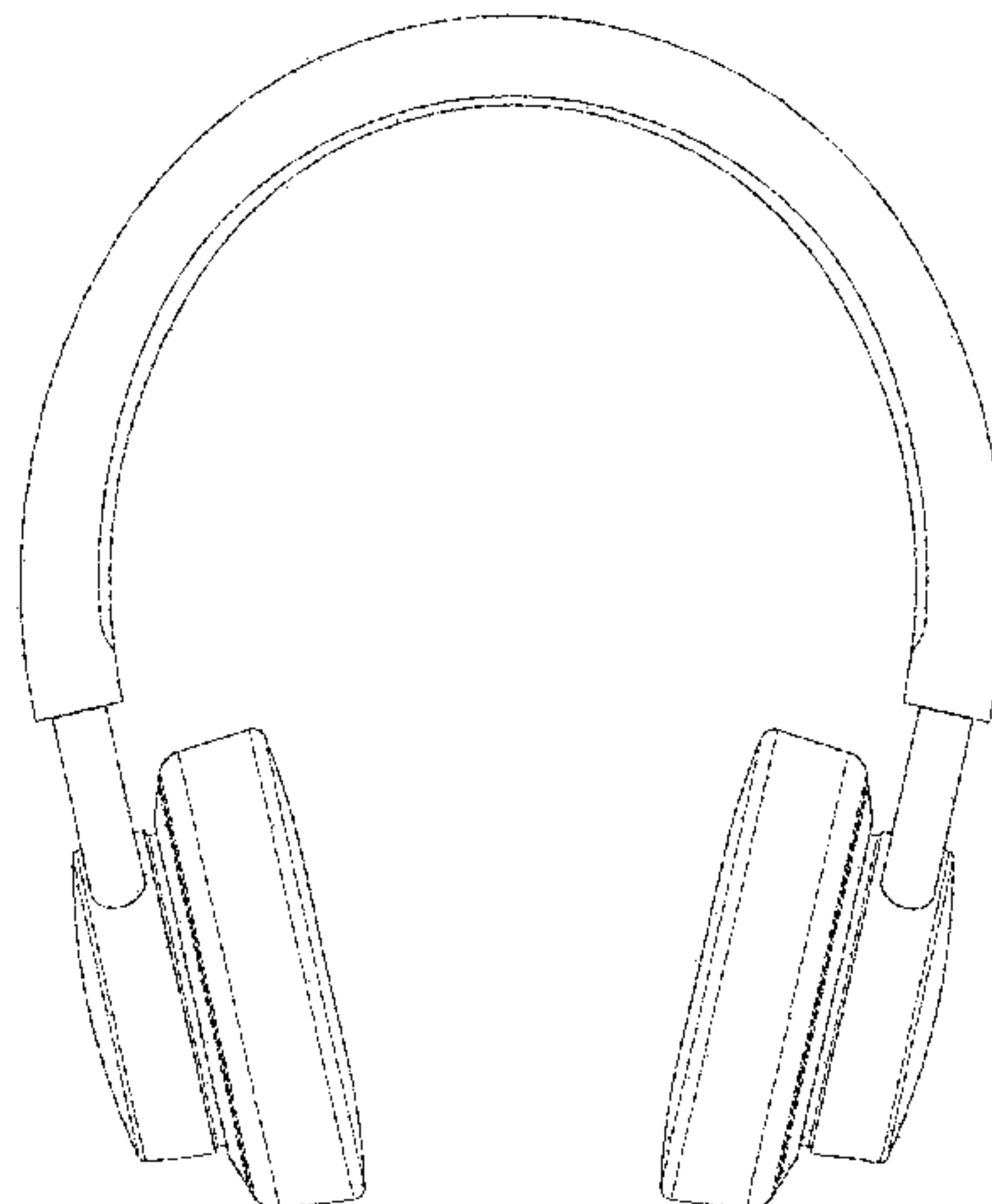
(57) **CLAIM**

The ornamental design for a headphone, as shown and described.

**DESCRIPTION**

FIG. 1 is a front view of a headphone;  
FIG. 2 is a rear view;  
FIG. 3 is a right side view thereof;  
FIG. 4 is a top view thereof;  
FIG. 5 is a bottom view thereof;  
FIG. 6 is a front elevational view thereof; and,  
FIG. 7 is a bottom elevational view thereof.  
The broken lines form no part of the claimed design.

**1 Claim, 7 Drawing Sheets**



(56)

References Cited

U.S. PATENT DOCUMENTS

D706,241 S \* 6/2014 Szymanski ..... D14/205  
D707,653 S \* 6/2014 Hardi ..... D14/205  
8,755,555 B2 \* 6/2014 Dougherty ..... H04R 1/1066  
381/370  
D708,163 S \* 7/2014 Ishikura ..... D14/205  
D712,375 S \* 9/2014 Miyake ..... D14/205  
D727,289 S \* 4/2015 Czaniecki ..... D14/205

D728,512 S \* 5/2015 Nakagawa ..... D14/205  
D729,194 S \* 5/2015 Boeckel ..... D14/205  
D733,090 S \* 6/2015 Petersen ..... D14/205  
D741,290 S \* 10/2015 Schaal ..... D14/205  
D742,363 S \* 11/2015 Andersson ..... D14/223  
9,219,807 B1 \* 12/2015 Leopardi ..... H04M 1/72527  
D750,593 S \* 3/2016 Hardi ..... D14/205  
2007/0165899 A1 \* 7/2007 Garin ..... H04R 5/0335  
381/377

\* cited by examiner

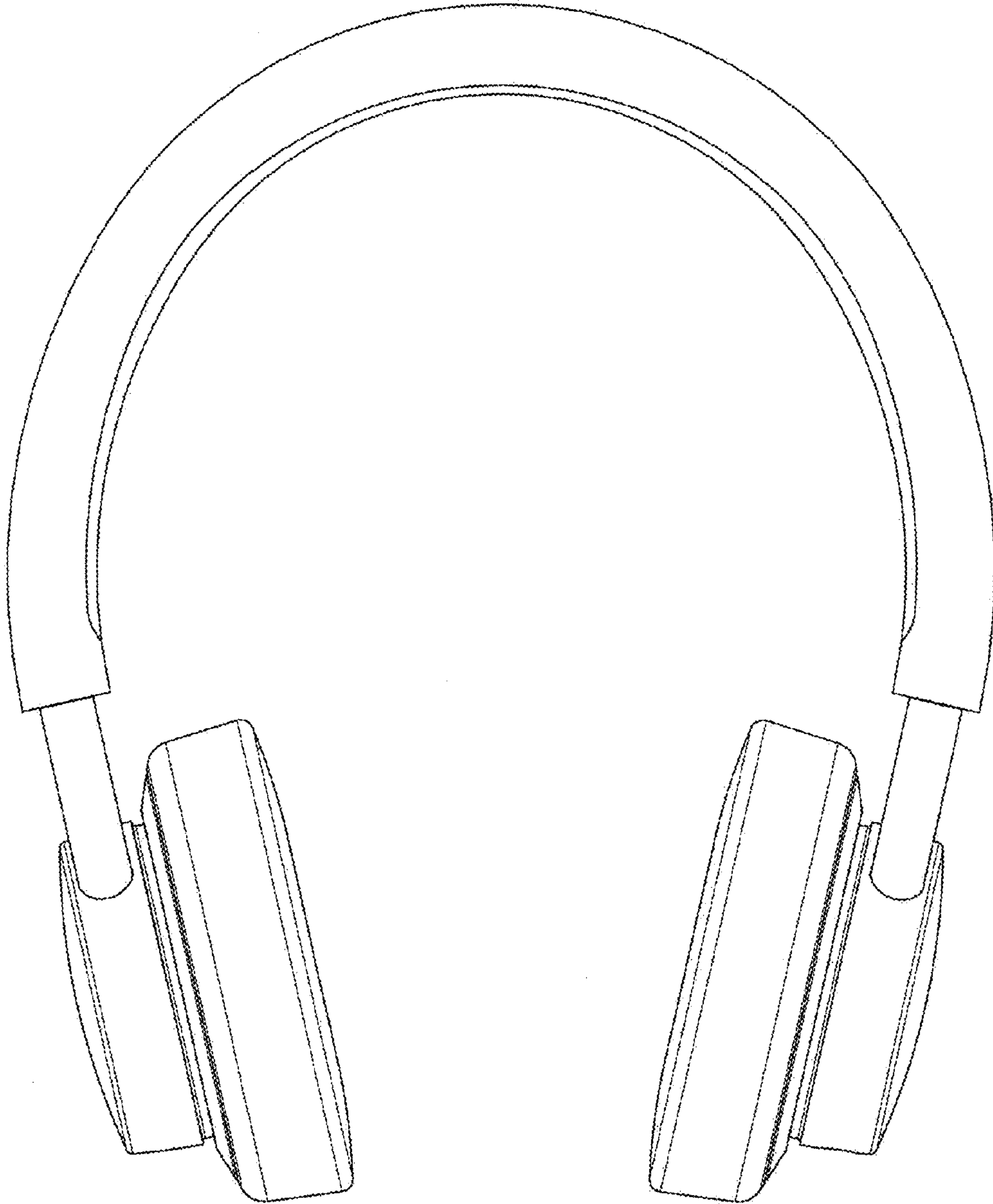


FIG. 1

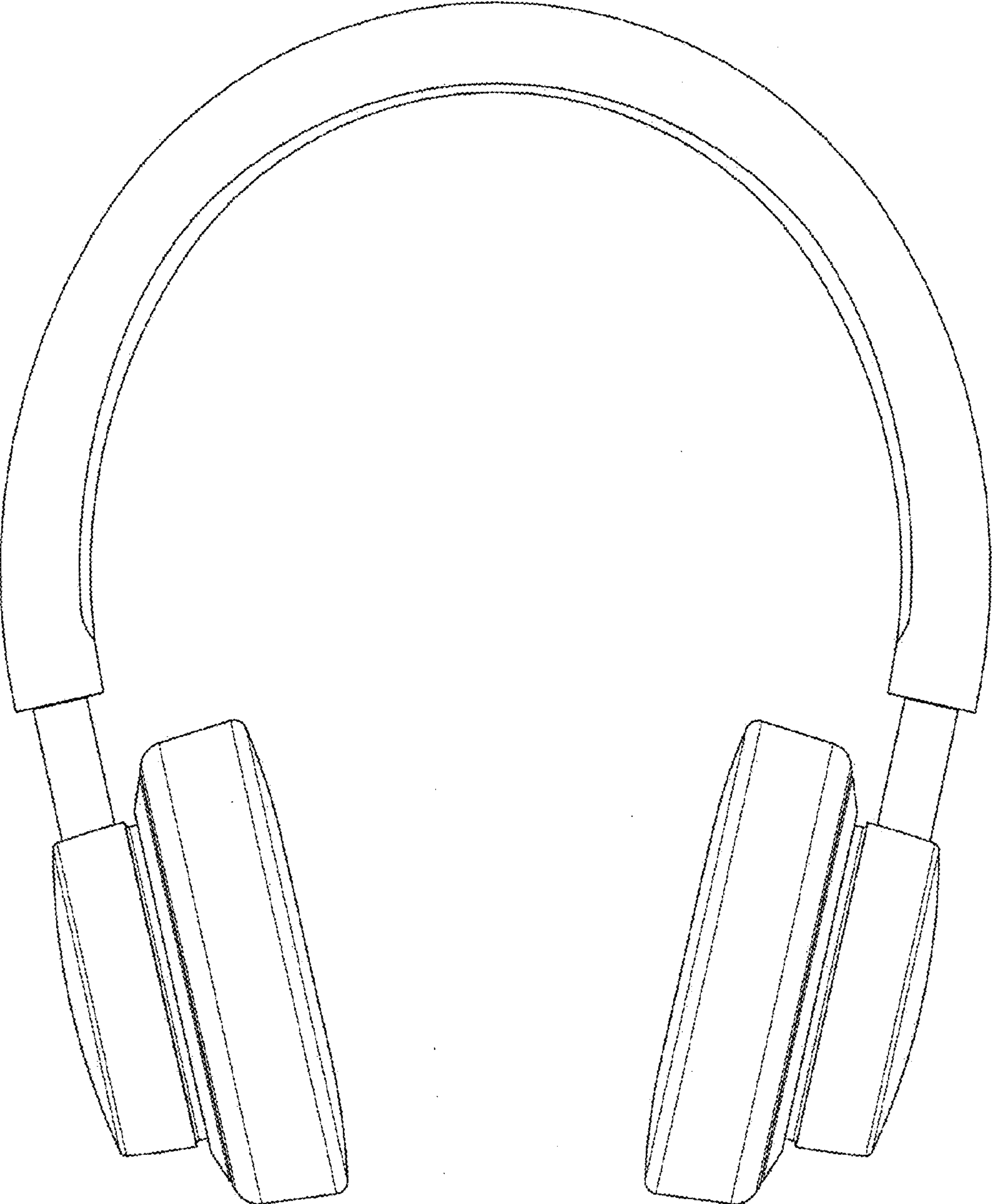


FIG. 2

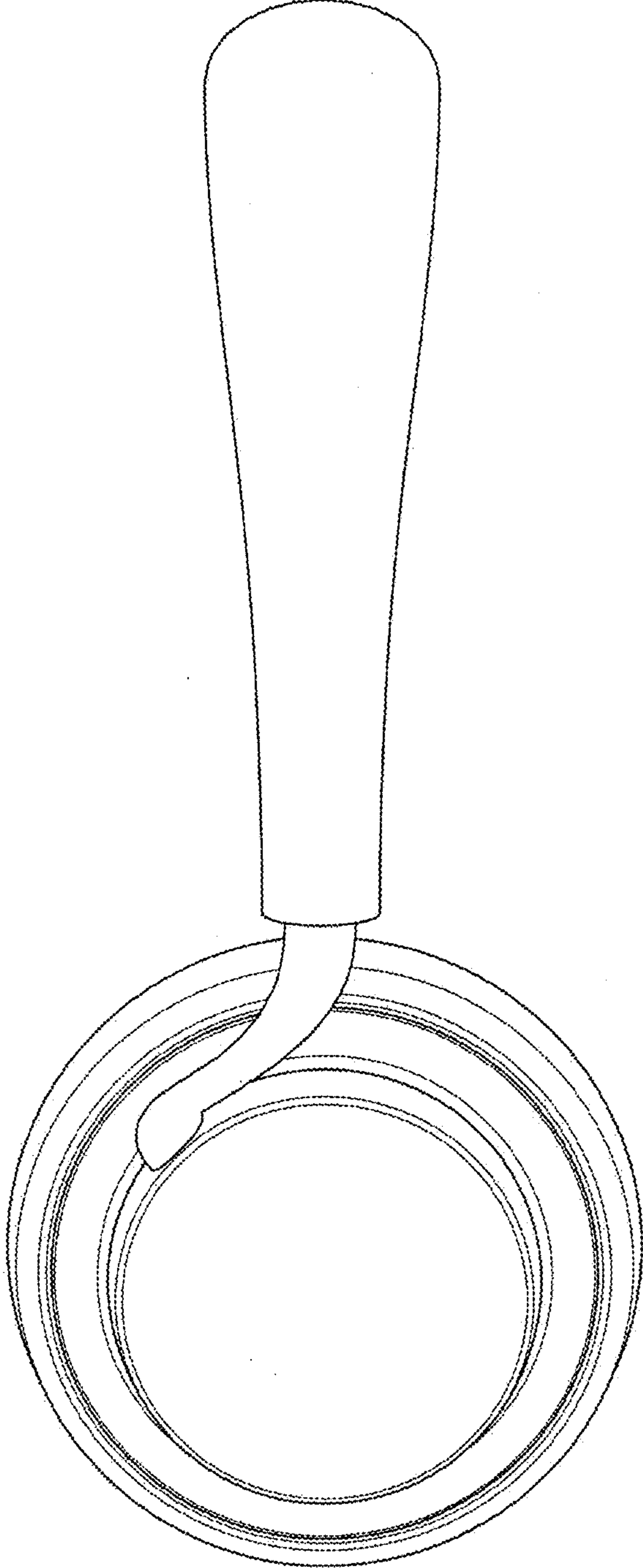


FIG. 3



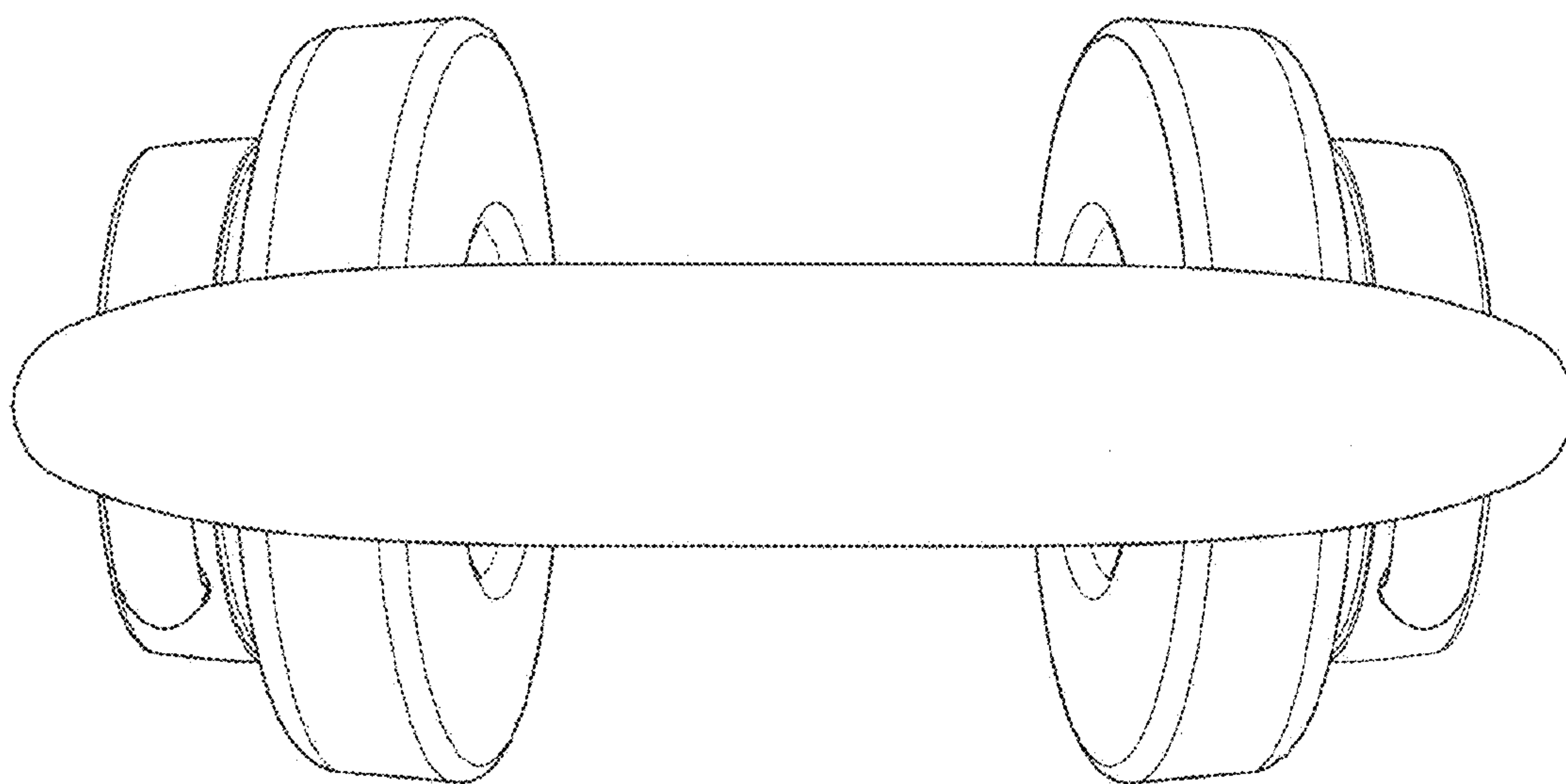


FIG. 4

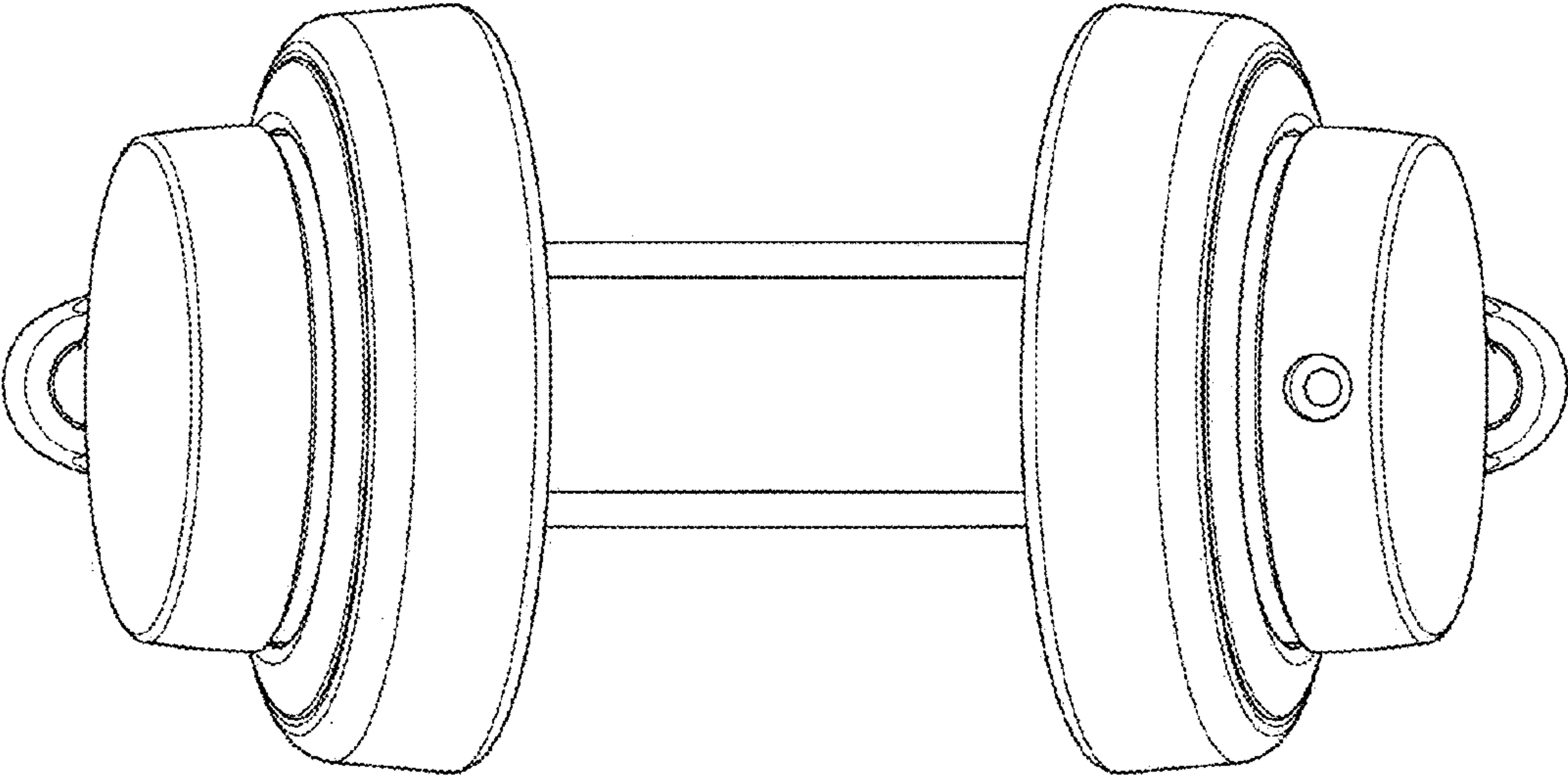


FIG. 5



FIG. 6





FIG. 7