

US00D769840S

(12) **United States Design Patent**  
**Henning**

(10) **Patent No.:** **US D769,840 S**

(45) **Date of Patent:** **\*\* Oct. 25, 2016**

(54) **HEADSET**

(71) Applicant: **Sony Mobile Communications AB,**  
Lund (SE)

(72) Inventor: **Simon Henning,** Malmö (SE)

(73) Assignee: **Sony Mobile Communications AB,**  
Lund (SE)

(\*\*) Term: **14 Years**

(21) Appl. No.: **29/497,329**

(22) Filed: **Jul. 23, 2014**

(30) **Foreign Application Priority Data**

Apr. 22, 2014 (EM) ..... 002450767-0001  
Apr. 22, 2014 (EM) ..... 002450767-0002

(51) **LOC (10) Cl.** ..... **14-01**

(52) **U.S. Cl.**  
USPC ..... **D14/205**

(58) **Field of Classification Search**  
USPC ..... D14/205, 223, 240, 188, 192; D29/112;  
2/209; 181/129, 130, 135; 379/430,  
379/431; 381/380, 381, 372; 455/90.1,  
455/575.1; D2/892; D28/41; D24/105, 106;  
132/275  
CPC H04R 1/1066; H04R 1/1016; H04R 5/0335;  
A61F 11/14  
See application file for complete search history.

(56) **References Cited**

**U.S. PATENT DOCUMENTS**

1,398,958 A \* 12/1921 Basch ..... A61F 11/06  
2/209  
1,606,165 A \* 11/1926 Glenn ..... H01B 7/04  
123/633  
2,149,383 A \* 3/1939 Bean ..... A61F 11/06  
2/209  
2,437,049 A \* 3/1948 Salisbury ..... A61F 11/14  
128/866  
2,447,078 A \* 8/1948 Maxant ..... A61F 11/06  
2/209

2,615,169 A \* 10/1952 Maxant ..... A61F 11/06  
2/209  
2,651,046 A \* 9/1953 Berg ..... A61F 11/06  
2/209  
2,954,442 A \* 9/1960 Mickenberg ..... H04R 5/0335  
2/209  
3,440,663 A \* 4/1969 Beguin ..... A61F 11/14  
2/209  
D228,352 S \* 9/1973 Itagaki ..... D14/205  
D246,259 S \* 11/1977 Nishimura ..... D14/205  
4,138,598 A \* 2/1979 Cech ..... H04R 1/08  
379/430

(Continued)

**FOREIGN PATENT DOCUMENTS**

CN 3337079 5/2003  
CN 300752797 3/2007

(Continued)

**OTHER PUBLICATIONS**

English translation of Search Report from corresponding ROC (Taiwan) Design Patent Application No. 103304439 dated Mar. 24, 2015.

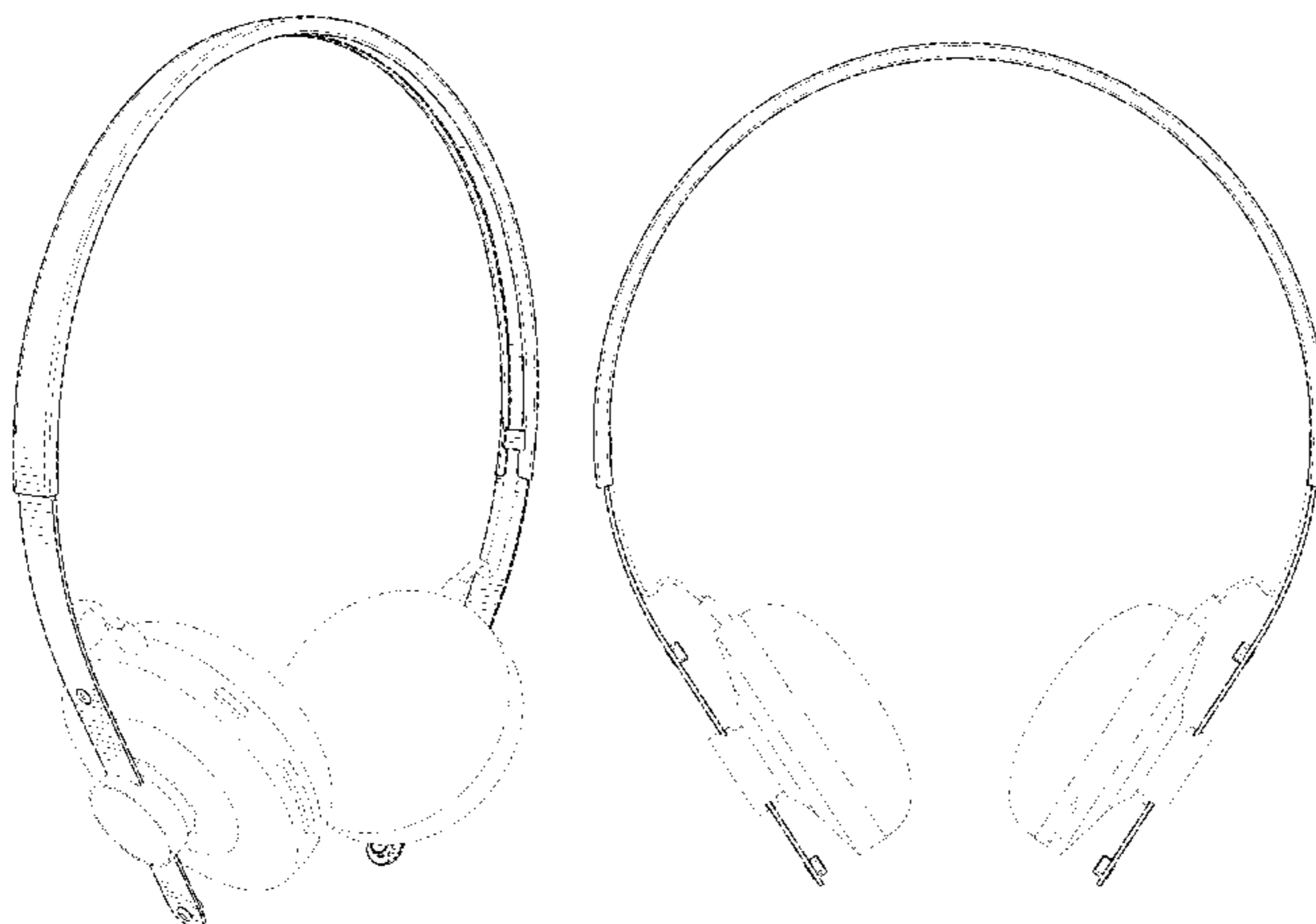
*Primary Examiner* — Paula Greene  
(74) *Attorney, Agent, or Firm* — Renner, Otto, Boisselle & Sklar, LLP

(57) **CLAIM**  
The ornamental design for a headset, as shown and described.

**DESCRIPTION**

FIG. 1 is a perspective view of a headset showing my new design;  
FIG. 2 is a front view thereof.  
FIG. 3 is a rear view thereof.  
FIG. 4 is a top view thereof.  
FIG. 5 is a bottom view thereof.  
FIG. 6 is a left side view thereof; and,  
FIG. 7 is a right side view thereof.  
The broken lines shown herein are for illustrative purposes only and form no part of the claimed design.

**1 Claim, 7 Drawing Sheets**



# US D769,840 S

Page 2

(56)

## References Cited

### U.S. PATENT DOCUMENTS

D254,876 S \* 5/1980 Reitenga ..... D14/205  
4,572,323 A \* 2/1986 Randall ..... A61F 11/14  
181/129  
4,597,469 A \* 7/1986 Nagashima ..... H04R 5/0335  
181/129  
D300,133 S \* 3/1989 Daidoh ..... D14/205  
D310,081 S \* 8/1990 Daido ..... D14/205  
D313,092 S \* 12/1990 Nilsson ..... D14/205  
5,033,094 A \* 7/1991 Hung ..... H04M 1/05  
381/379  
D354,958 S 1/1995 Grasso et al.  
D371,558 S \* 7/1996 Yoshizawa ..... D14/205  
5,809,573 A \* 9/1998 Bary ..... A61F 7/03  
128/866  
5,887,286 A \* 3/1999 Waldron ..... A61F 11/14  
181/129  
D430,140 S \* 8/2000 Roman ..... D14/205  
6,392,196 B1 \* 5/2002 Lin ..... A61F 11/14  
2/209  
6,421,837 B1 \* 7/2002 Percy ..... A45D 8/36  
132/273  
D473,539 S \* 4/2003 O'Leary ..... D14/205  
6,611,963 B2 \* 9/2003 Woo ..... H04R 5/0335  
2/209  
D560,654 S 1/2008 Feng  
D571,354 S 6/2008 Ng  
D587,683 S 3/2009 Ham et al.  
D596,164 S \* 7/2009 Henning ..... D14/223  
D596,165 S \* 7/2009 Henning ..... D14/223  
D596,166 S \* 7/2009 Henning ..... D14/223  
7,962,970 B2 \* 6/2011 Le Gette ..... A61F 11/14  
2/208  
D663,717 S \* 7/2012 Hutchieson ..... D14/206  
D686,593 S \* 7/2013 Larsen ..... D14/205  
D695,263 S \* 12/2013 Mogili ..... D14/205  
D707,659 S \* 6/2014 Henning ..... D14/223  
8,755,555 B2 \* 6/2014 Dougherty ..... H04R 1/1066  
381/370  
D708,162 S \* 7/2014 Wenger ..... D14/205

D712,371 S \* 9/2014 Henning ..... D14/205  
D716,274 S \* 10/2014 Henning ..... D14/223  
9,031,254 B2 \* 5/2015 Heise ..... H04R 1/1066  
379/55.1  
D736,175 S \* 8/2015 Levine ..... D14/205  
D746,791 S \* 1/2016 Yuen ..... D14/205

### FOREIGN PATENT DOCUMENTS

CN 301139494 1/2009  
CN 301276106 8/2009  
CN 301483590 12/2009  
CN 301552827 10/2010  
CN 301624841 S 7/2011  
CN 301633408 S 8/2011  
CN 301895031 8/2011  
CN 301938388 11/2011  
CN 302308385 8/2012  
CN 302372347 S 3/2013  
CN 302382848 S 4/2013  
CN 302542793 S 8/2013  
CN 302661070 S 11/2013  
CN 302672071 S 12/2013  
CN 302709786 S 1/2014  
JP 000302555 7/1966  
JP 000488447 2/1971  
JP 361298 3/1971  
JP 396860 6/1973  
JP 361298 8/1973  
JP 454985 10/1975  
JP 466725 3/1976  
JP 000488763 6/1976  
JP 000591368 8/1980  
JP 567290 S 12/1981  
JP 606948 S 8/1983  
JP 742351 S 9/1988  
JP 001436560 8/2011  
JP 1436560 S 3/2012  
JP D1436560 S 3/2012  
JP D1501040 S 6/2014  
TW D156863 S 11/2013

\* cited by examiner

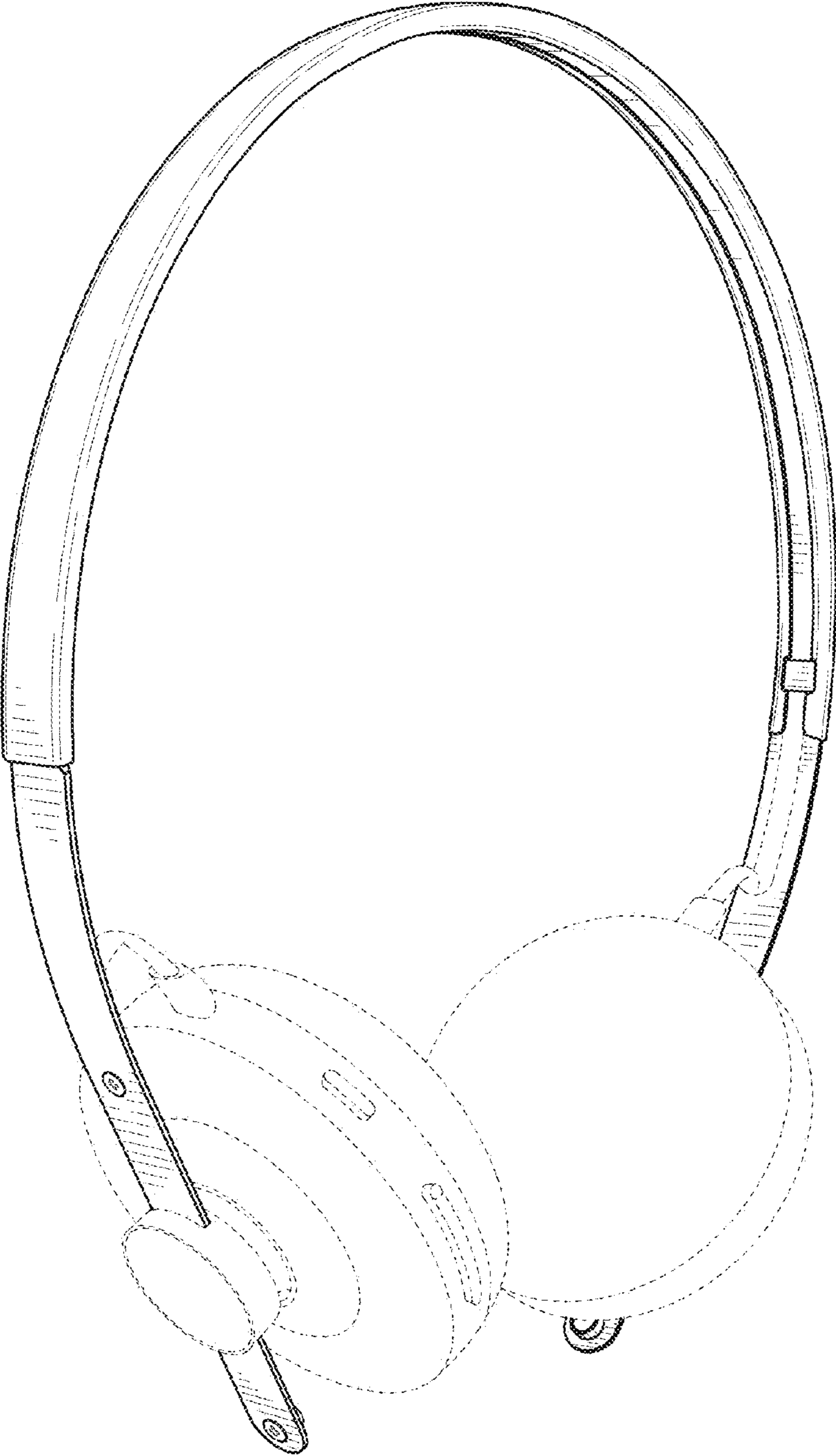


FIG. 1







FIG. 3

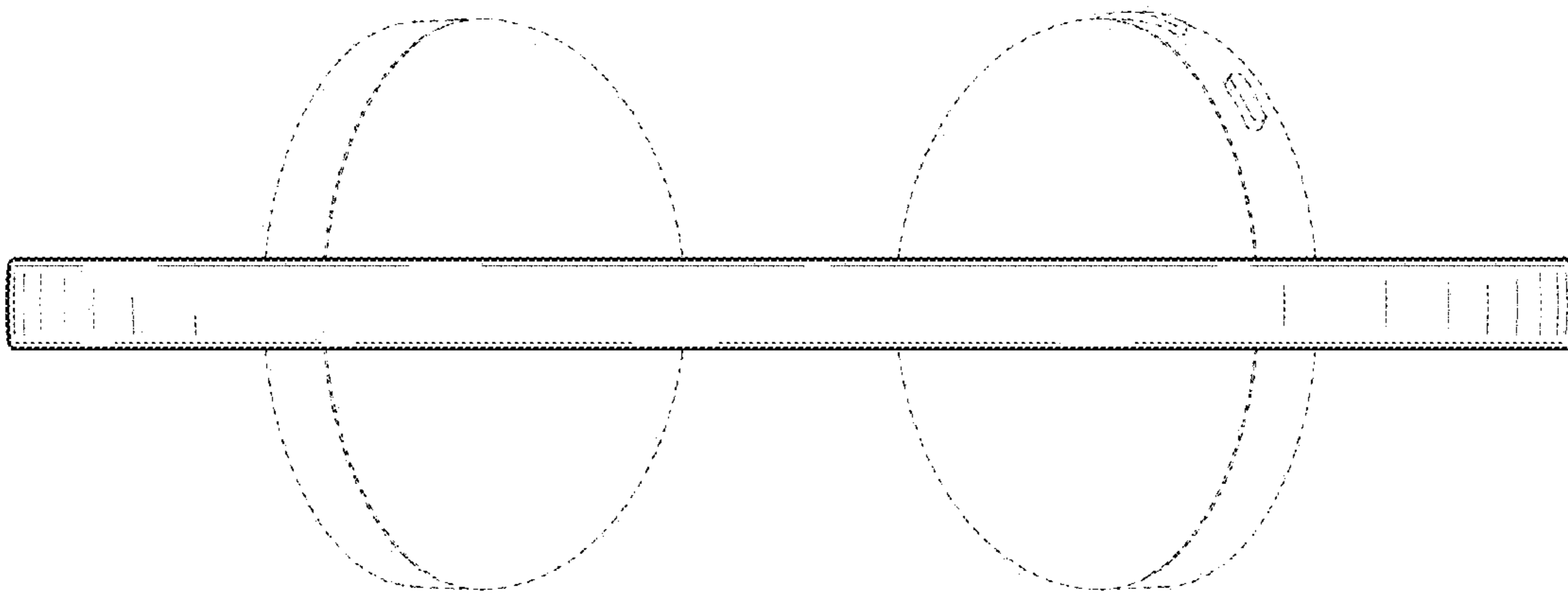


FIG. 4

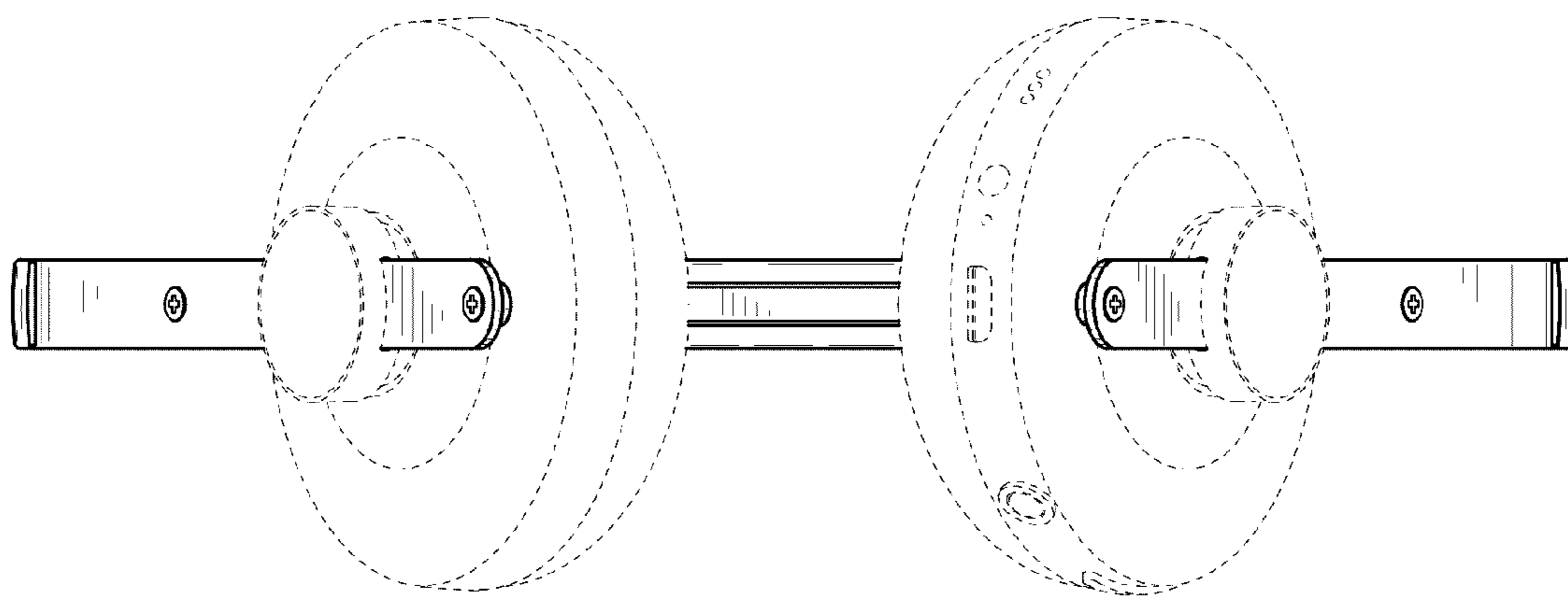


FIG. 5

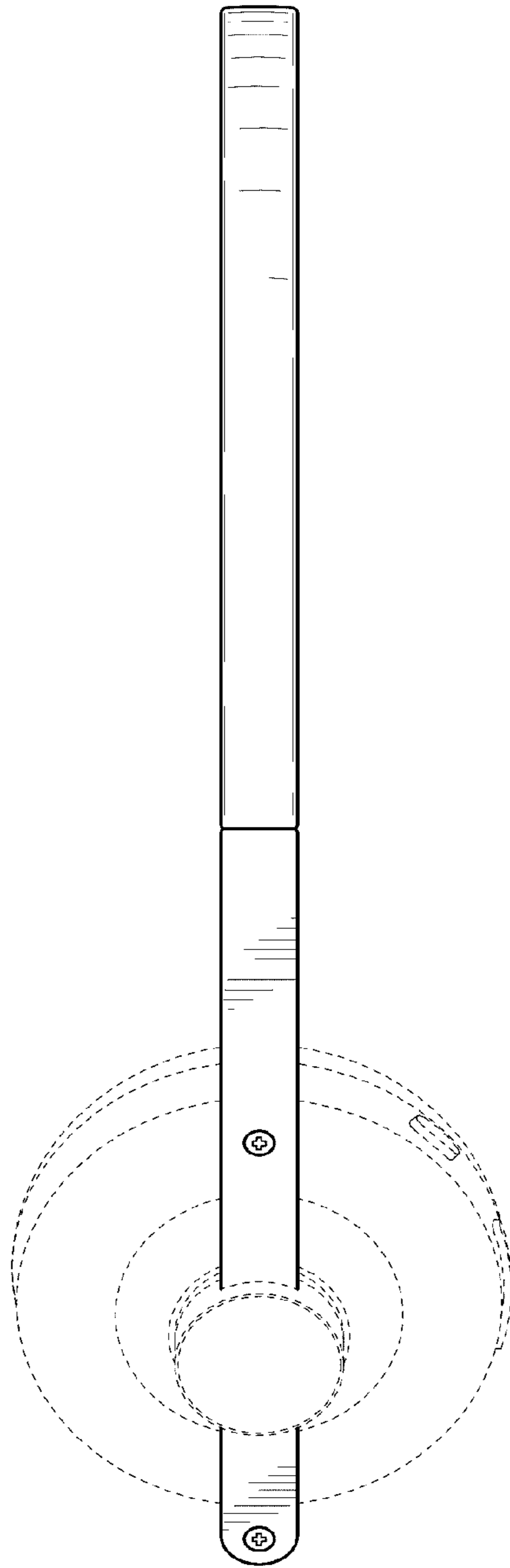


FIG. 6



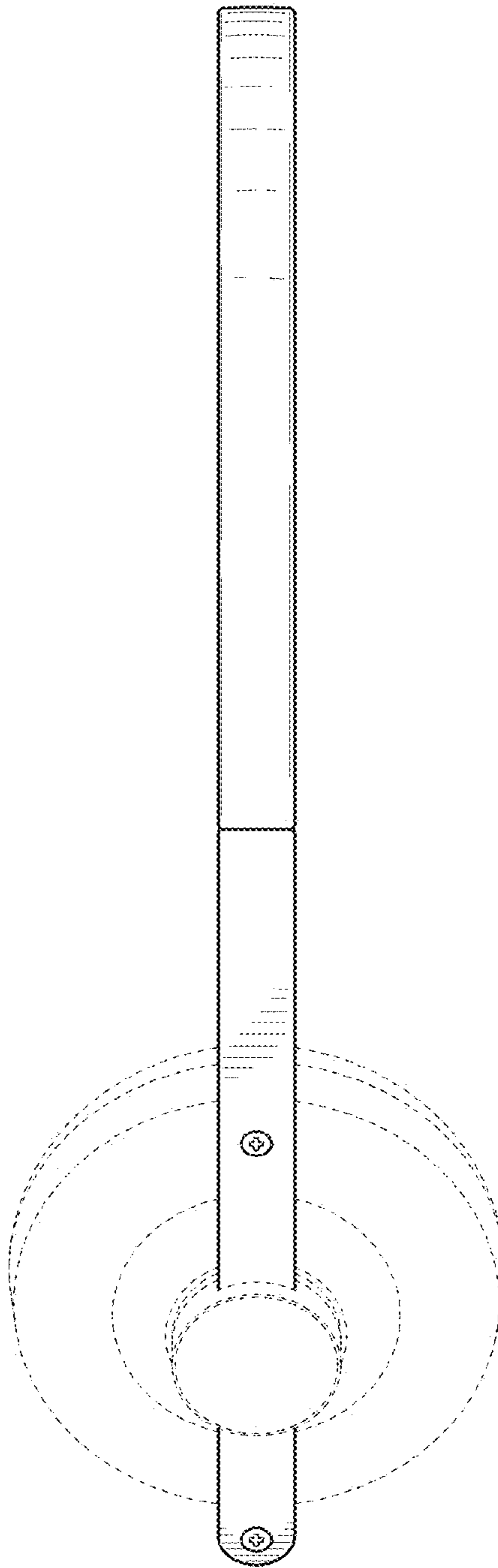


FIG. 7