



US00D769837S

(12) **United States Design Patent**
Kim et al.

(10) **Patent No.:** **US D769,837 S**
(45) **Date of Patent:** **** Oct. 25, 2016**

(54) **TELEVISION**

(71) Applicant: **Samsung Electronics Co., Ltd.**,
Suwon-si, Gyeonggi-do (KR)

(72) Inventors: **Jaehyung Kim**, Gwangju-si (KR);
Chen Cui, Shanghai (CN); **Haibo Luo**,
Shanghai (CN); **Byung Min Woo**,
Bucheon-si (KR); **Sejin Yoon**, Seoul
(KR); **Soyoung Jung**, Incheon (KR)

(73) Assignee: **SAMSUNG ELECTRONICS CO.,
LTD.**, Suwon-Si, Gyeonggi-Do (KR)

(**) Term: **14 Years**

(21) Appl. No.: **29/519,451**

(22) Filed: **Mar. 5, 2015**

(30) **Foreign Application Priority Data**

Sep. 25, 2014 (KR) 30-2014-0046372

(51) **LOC (10) Cl.** **14-03**

(52) **U.S. Cl.**
USPC **D14/126; D14/129**

(58) **Field of Classification Search**
USPC D14/125-134, 239, 371, 136, 374-377,
D14/440, 450, 448, 336, 342, 159; 312/7.2;
348/836, 838, 180, 184, 325, 739;
248/917-924, 465; 345/104, 133, 156,
345/168, 87, 173; D21/329, 515, 577, 622,
D21/333, 433, 448, 452, 450, 331, 505;
D10/15, 26; 446/484, 175, 356;
D6/477, 479, 300; D20/10, 19, 39
CPC . G06F 1/1601; G06F 1/1643; H05K 5/0004;
H05K 5/0017; H05K 5/02; H05K 5/0217;
H04N 13/0459

See application file for complete search history.

(56) **References Cited**

U.S. PATENT DOCUMENTS

D546,302 S * 7/2007 Kita D14/126
D586,769 S * 2/2009 Kita D14/126

D603,814 S * 11/2009 Yang D14/126
D607,854 S * 1/2010 Sagawa D14/126
D618,640 S * 6/2010 Won D14/126
D630,618 S * 1/2011 Kim D14/218
D638,388 S * 5/2011 Fujii D14/126
D643,004 S * 8/2011 Honda D14/126
D658,140 S * 4/2012 Hwangbo D14/126

(Continued)

FOREIGN PATENT DOCUMENTS

CN 302476425 S 6/2013

Primary Examiner — Raphael Barkai

(74) *Attorney, Agent, or Firm* — Ladas & Parry LLP

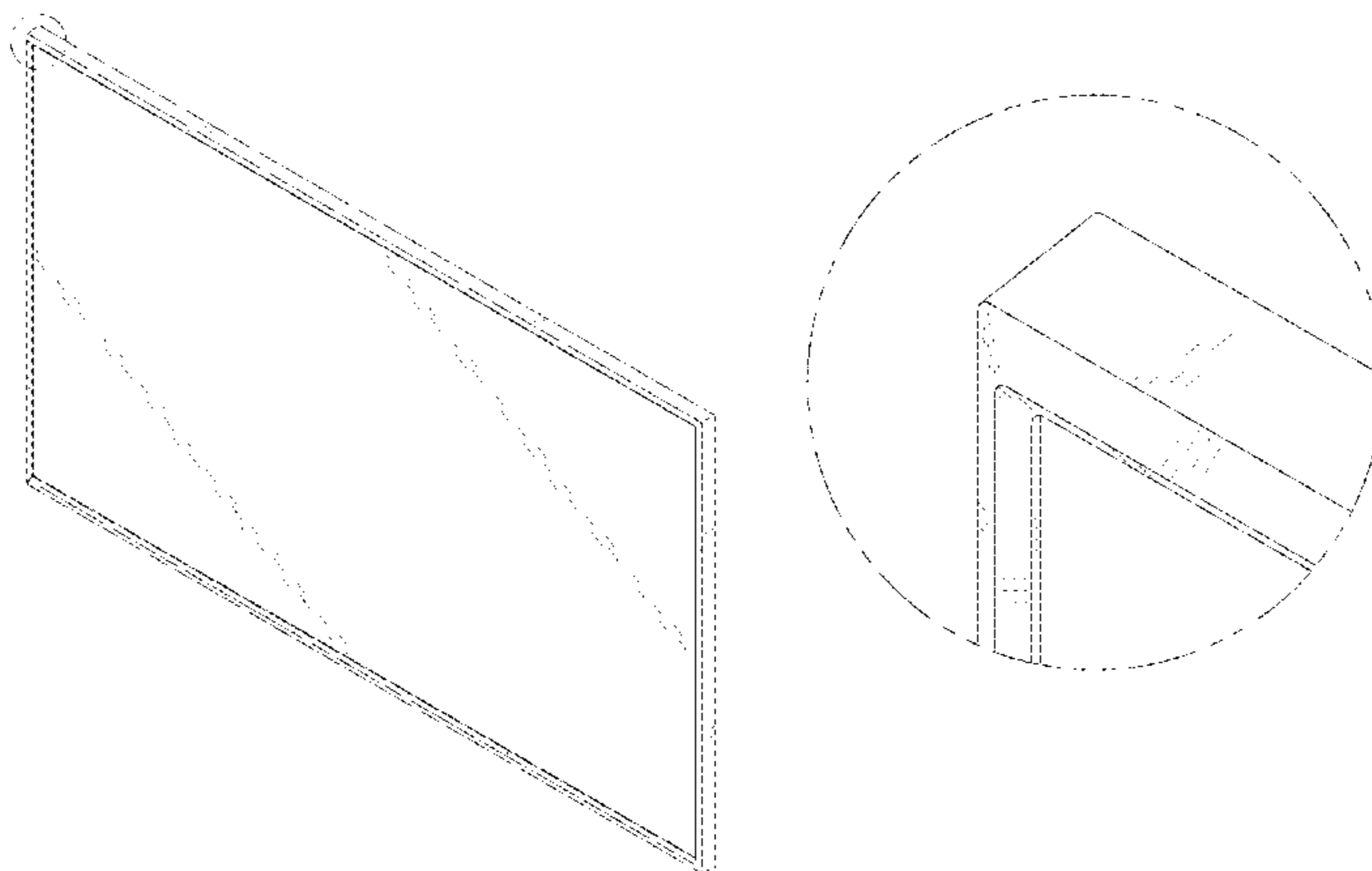
(57) **CLAIM**

We claim the ornamental design for television, as shown and described.

DESCRIPTION

FIG. 1 is the front perspective view of television showing our new design;
FIG. 2 is the front view thereof;
FIG. 3 is the rear view thereof;
FIG. 4 is the left-side view thereof;
FIG. 5 is the right-side view thereof;
FIG. 6 is the top-side plan view thereof;
FIG. 7 is the bottom-side plan view thereof;
FIG. 8 is the rear perspective view thereof;
FIG. 9 is an enlarged view of the portion encircled in FIG. 1; and,
FIG. 10 is an enlarged view of the portion encircled in FIG. 5.
The broken lines in the drawing show unclaimed environment only and form no part of the claimed design.
The dot-dot-dash broken lines encircling portions of the claimed design that are illustrated in enlargements form no part of the claimed design.

1 Claim, 9 Drawing Sheets



US D769,837 S

Page 2

(56)

References Cited

U.S. PATENT DOCUMENTS

D675,583 S * 2/2013 Kubota D14/126
D709,843 S * 7/2014 Inoue D14/126

D725,057 S * 3/2015 Seo D14/126
D738,338 S * 9/2015 Lee D14/126
D750,585 S * 3/2016 Kang D14/126
D752,533 S * 3/2016 Yamaguchi D14/126

* cited by examiner

FIG. 1

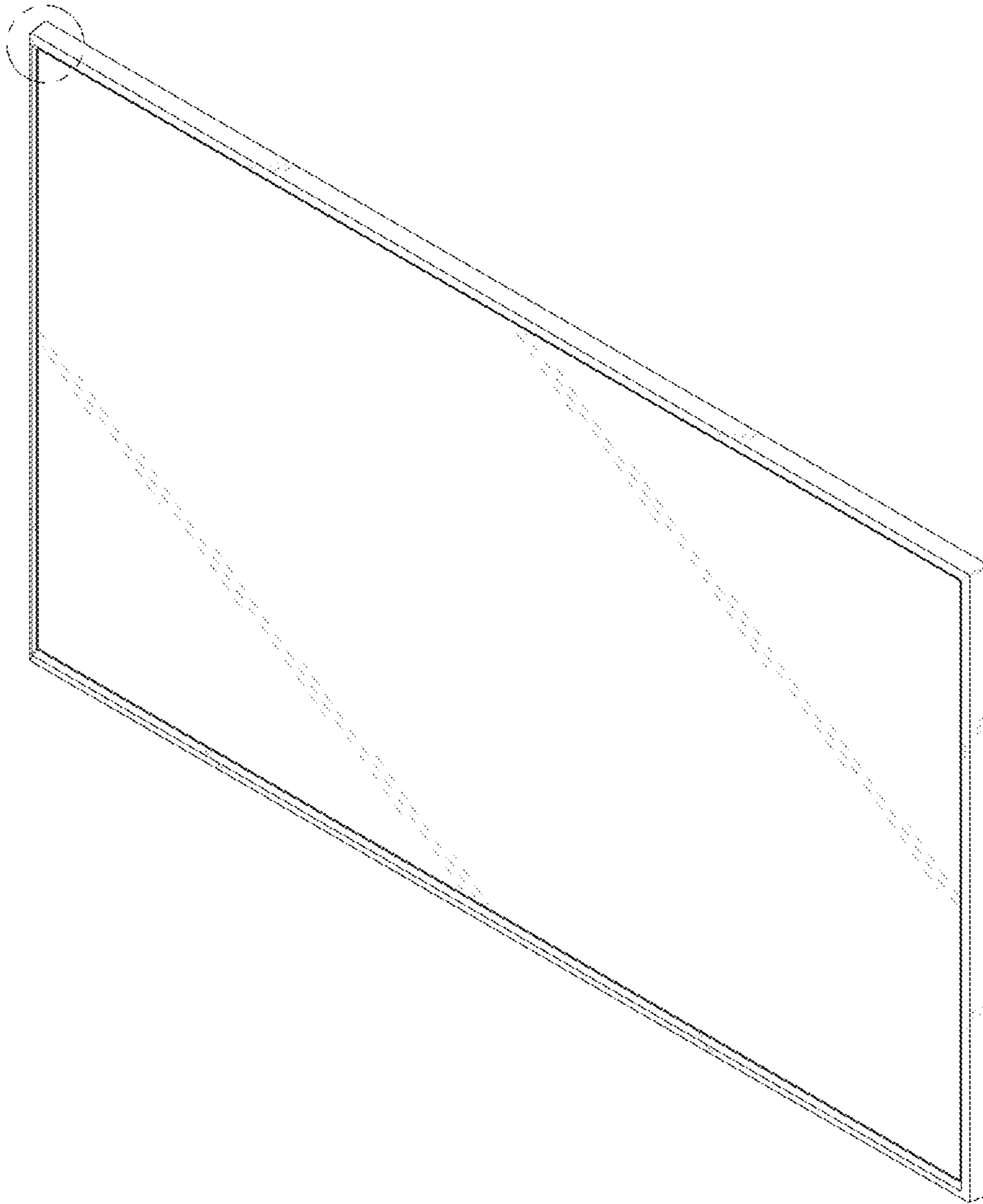


FIG. 2

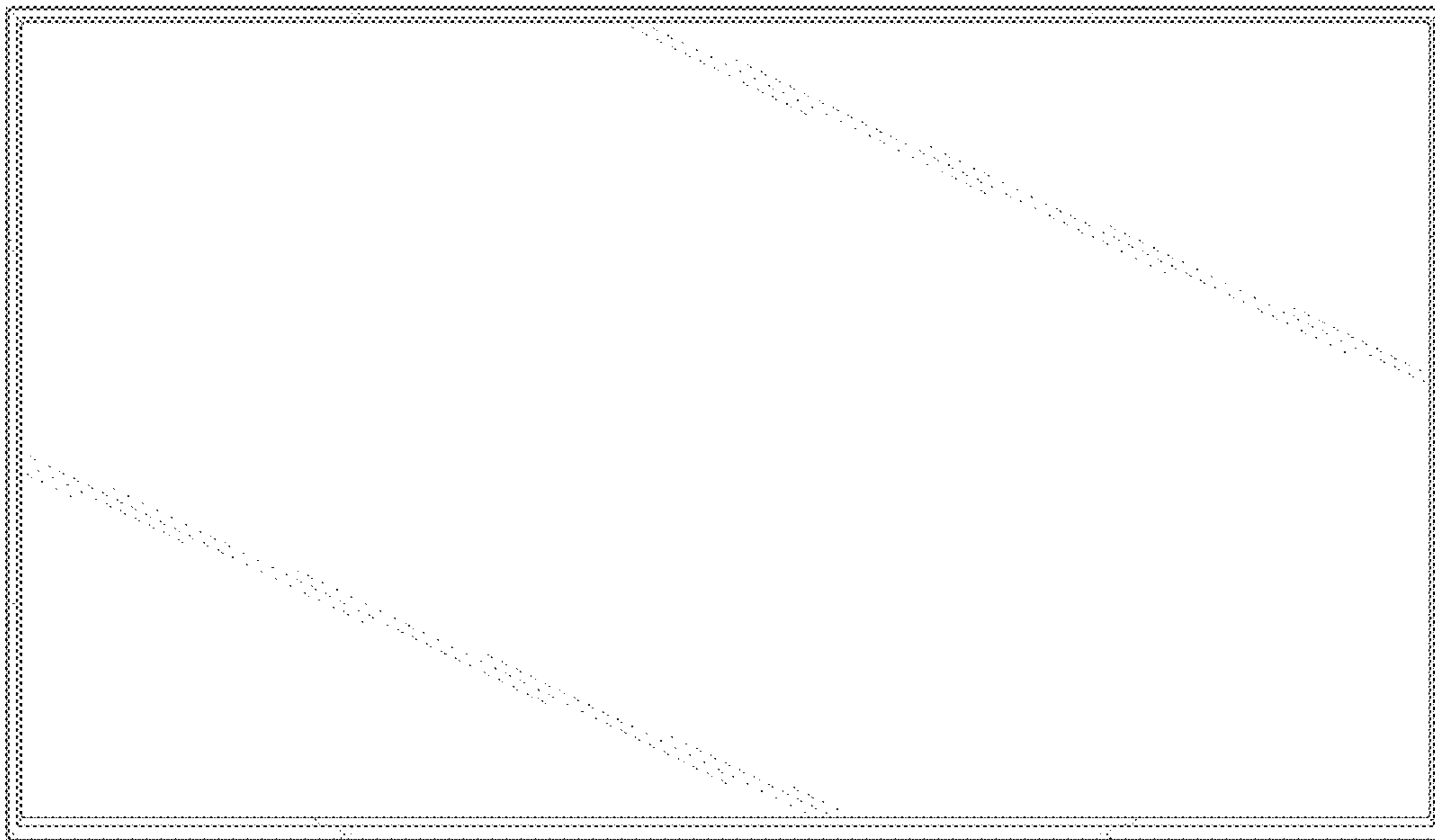


FIG. 3

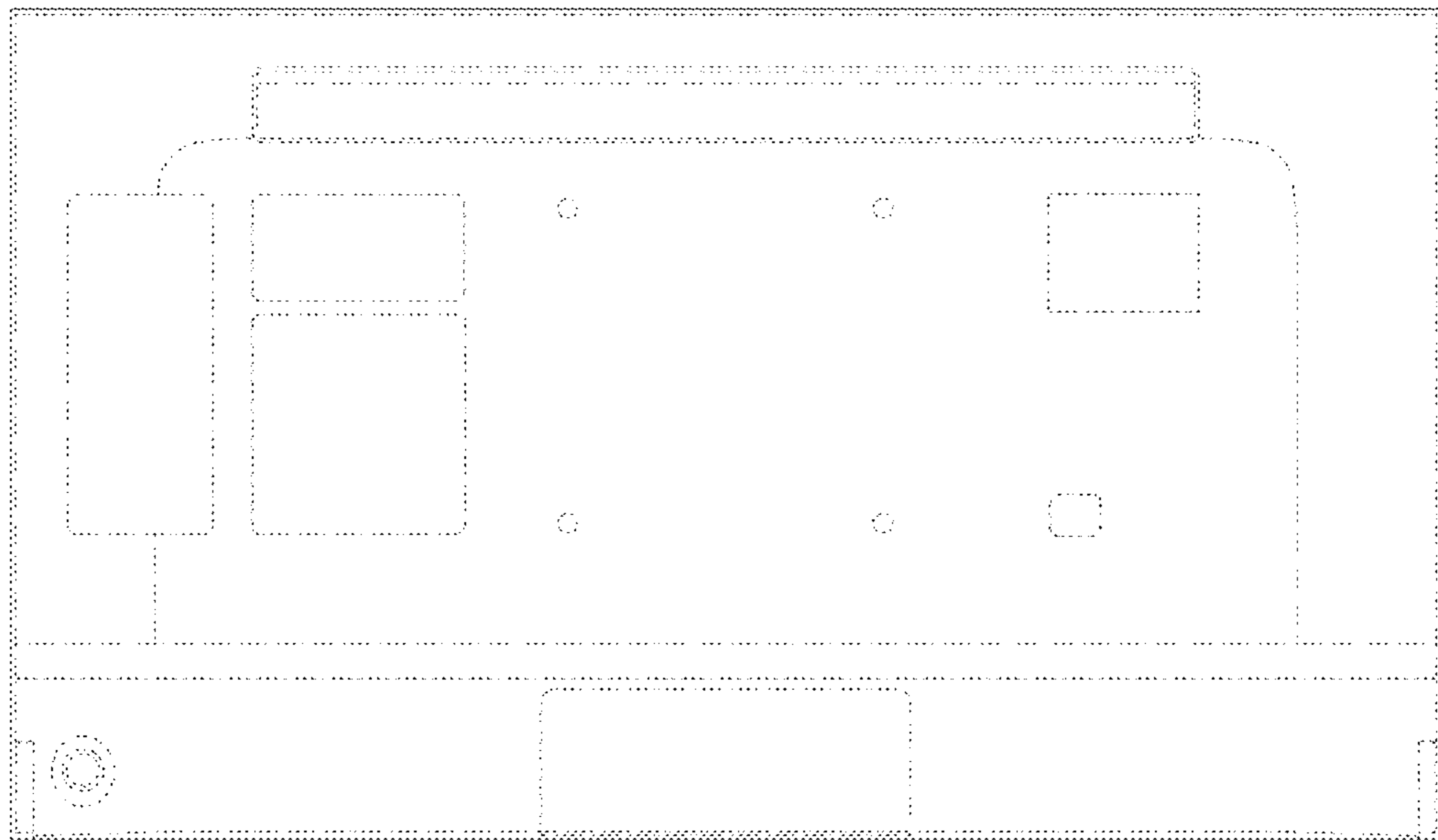


FIG. 4

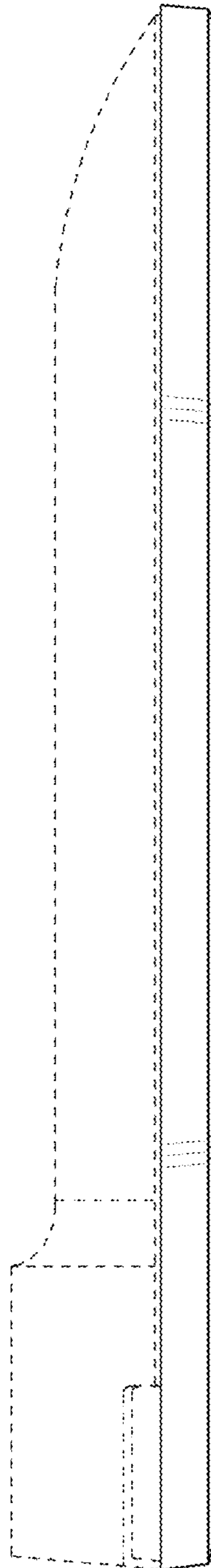


FIG. 5

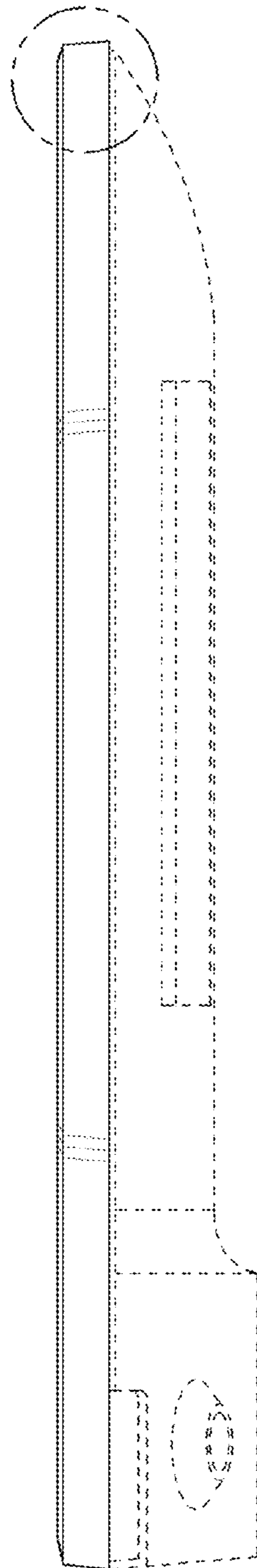


FIG. 6

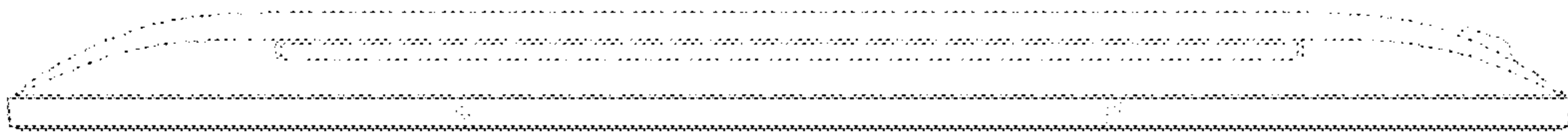


FIG. 7

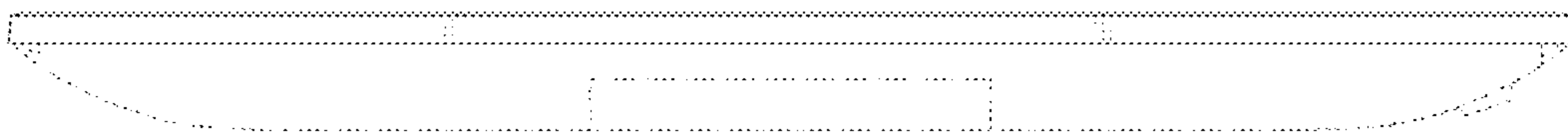


FIG. 8

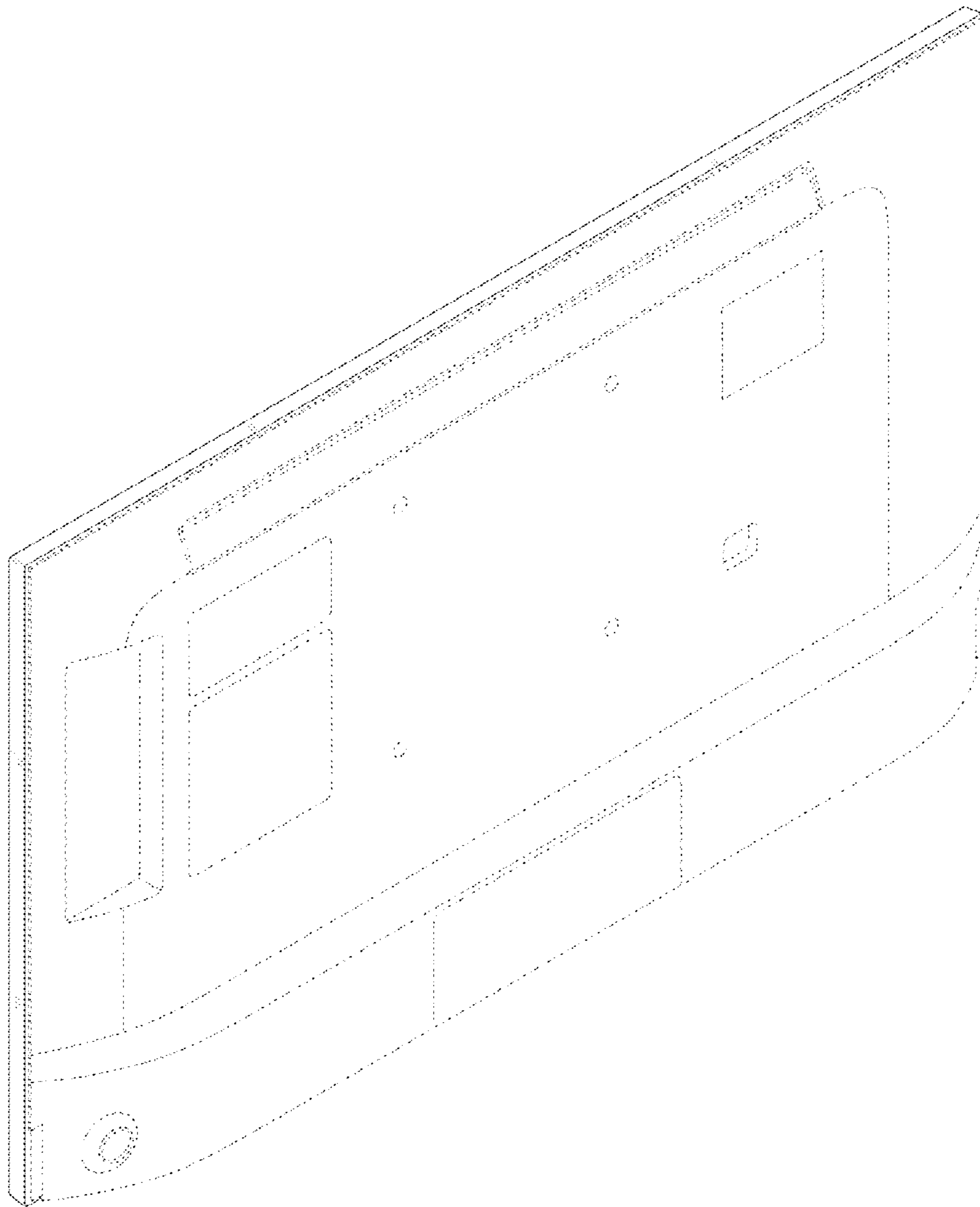


FIG. 9

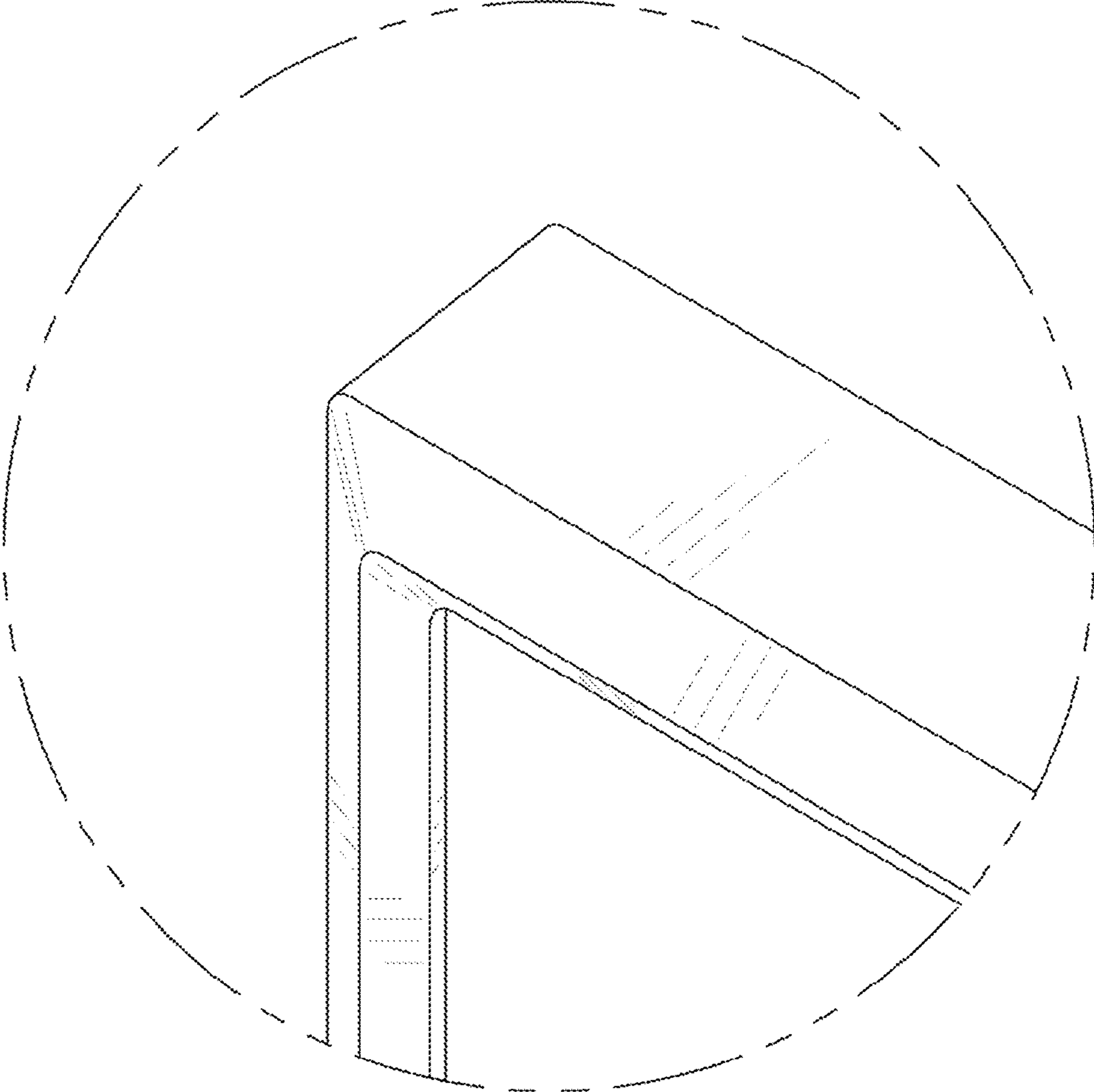


FIG. 10

