



US00D769836S

(12) **United States Design Patent** (10) **Patent No.:** **US D769,836 S**
Axelsson et al. (45) **Date of Patent:** **** Oct. 25, 2016**

(54) **SET-TOP BOX MODULE AND DIGITAL VIDEO RECORDER MODULE**

(71) Applicant: **ARRIS Enterprises, Inc.**, Suwanee, GA (US)

(72) Inventors: **Urban Axelsson**, Sturefors (SE); **Frida Andersson**, Linkoping (SE)

(73) Assignee: **ARRIS Enterprises, Inc.**, Suwanee, GA (US)

(**) Term: **14 Years**

(21) Appl. No.: **29/519,236**

(22) Filed: **Mar. 3, 2015**

(51) **LOC (10) Cl.** **14-03**

(52) **U.S. Cl.**
USPC **D14/125**

(58) **Field of Classification Search**
USPC D14/125, 357-358, 496, 188, 242, 432;
D13/184; 348/10, 460, 706, 731;
340/825.03; 455/6.1, 6.2; 312/223.1,
312/7.2
CPC H04N 5/50; H04N 5/64; H05K 5/02;
H05K 5/03; G06F 1/16
See application file for complete search history.

(56) **References Cited**

U.S. PATENT DOCUMENTS

D648,722 S * 11/2011 Meyerhoffer D14/341
D654,885 S * 2/2012 Isaias D14/125

(Continued)

Primary Examiner — Randall Gholson

(74) *Attorney, Agent, or Firm* — Bart A. Perkins

(57) **CLAIM**

The ornamental design for a set-top box module and digital video recorder module, as shown and described.

DESCRIPTION

FIG. 1 is a front perspective view of the set-top box module.
FIG. 2 is a front elevation view of the set-top box module.

FIG. 3 is a rear elevation view of the set-top box module.
FIG. 4 is a right side elevation view of the set-top box module. The left side elevation view of the set-top box module is a mirror image of the right side elevation view of the set-top box module.

FIG. 5 is a top view of the set-top box module.

FIG. 6 is a bottom view of the set-top box module.

FIG. 7 is a front perspective view of the digital video recorder module.

FIG. 8 is a front elevation view of the digital video recorder module.

FIG. 9 is a rear elevation view of the digital video recorder module.

FIG. 10 is a right side elevation view of the digital video recorder module. The left side elevation view of the digital video recorder module is a mirror image of the right side elevation view of the digital video recorder module.

FIG. 11 is a top view of the digital video recorder module.
FIG. 12 is a bottom view of the digital video recorder module.

FIG. 13 is a front perspective view of the set-top box module and digital video recorder module.

FIG. 14 is a front elevation view of the set-top box module and digital video recorder module.

FIG. 15 is a rear elevation view of the set-top box module and digital video recorder module.

FIG. 16 is a right side elevation view of the set-top box module and digital video recorder module. The left side elevation view of the set-top box module and digital video recorder module is a mirror image of the right side elevation view of the set-top box module and digital video recorder module.

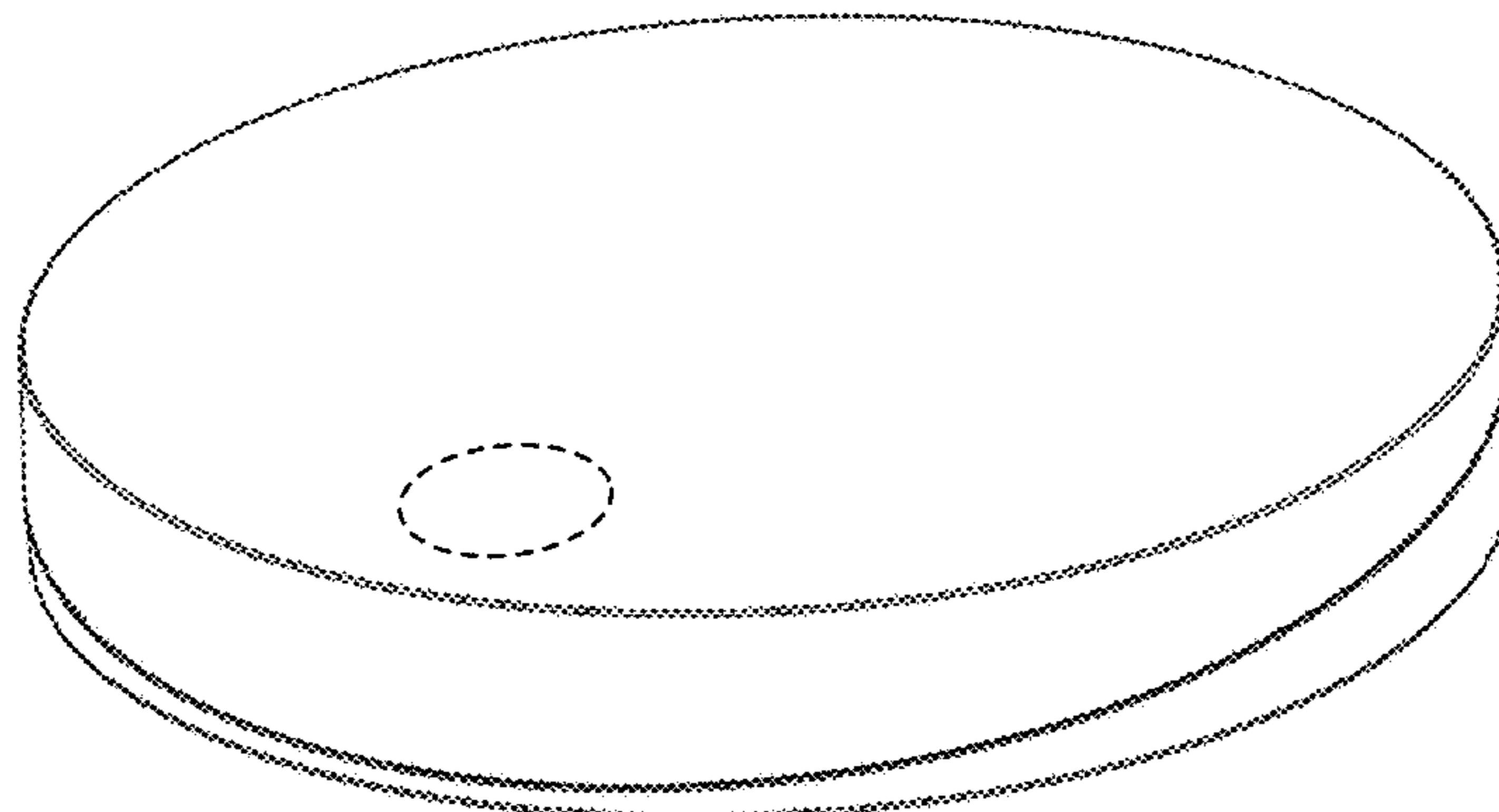
FIG. 17 is a top view of the set-top box module and digital video recorder module; and,

FIG. 18 is a bottom view of the set-top box module and digital video recorder module.

The broken lines depict portions of the set-top box module and digital video recorder module that form no part of the claimed design.

The set-top box module and digital video recorder module are shown separately and together for ease of illustration.

1 Claim, 18 Drawing Sheets



US D769,836 S

Page 2

(56)

References Cited

U.S. PATENT DOCUMENTS

D660,834 S *	5/2012	Akana	D14/314	
D692,413 S *	10/2013	Holzer	D14/215	* cited by examiner
D699,710 S *	2/2014	Lee	D14/214	
D707,668 S *	6/2014	Lim	D14/242	
D723,479 S *	3/2015	Lee	D14/125	

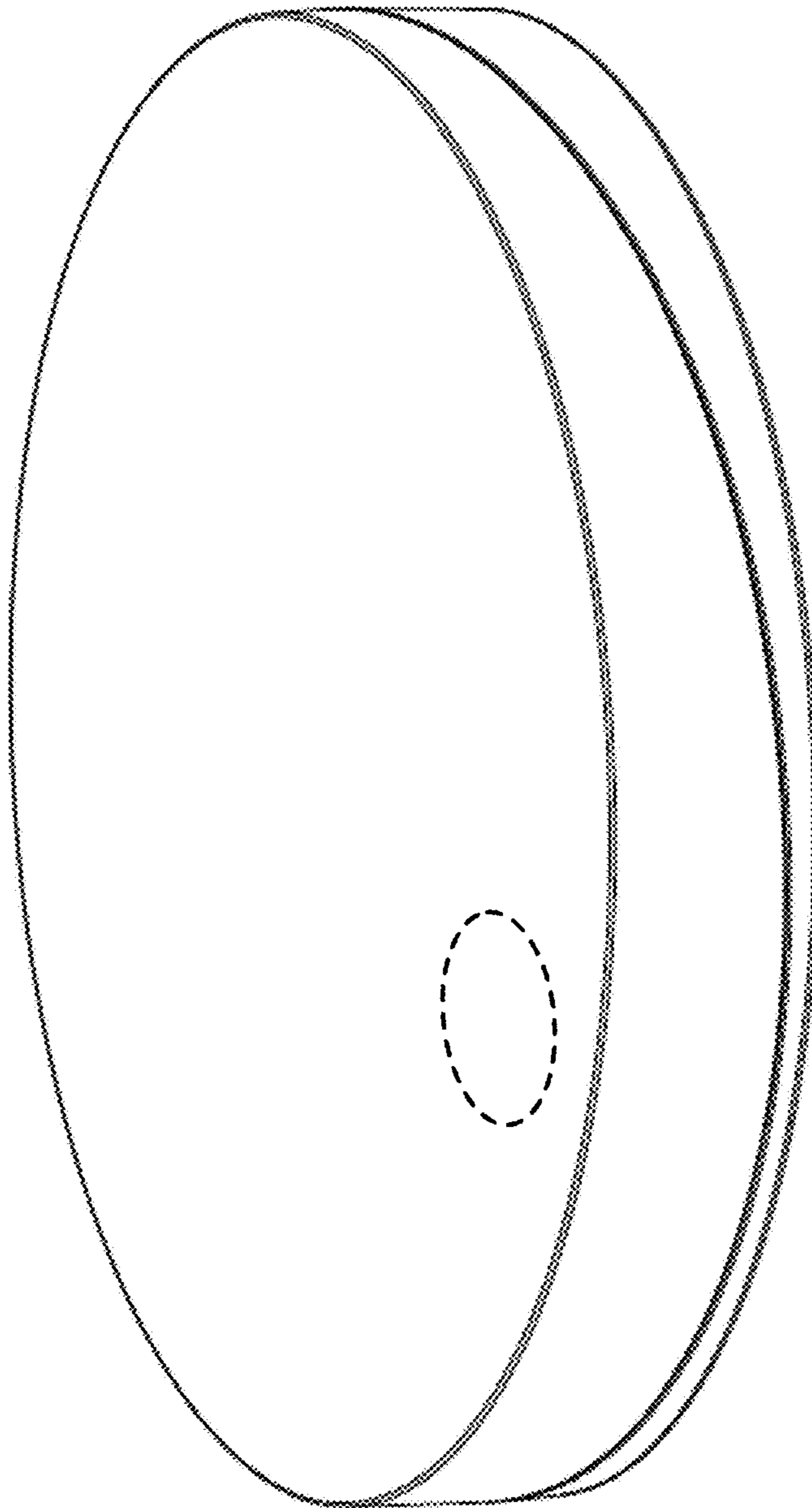


FIG. 1

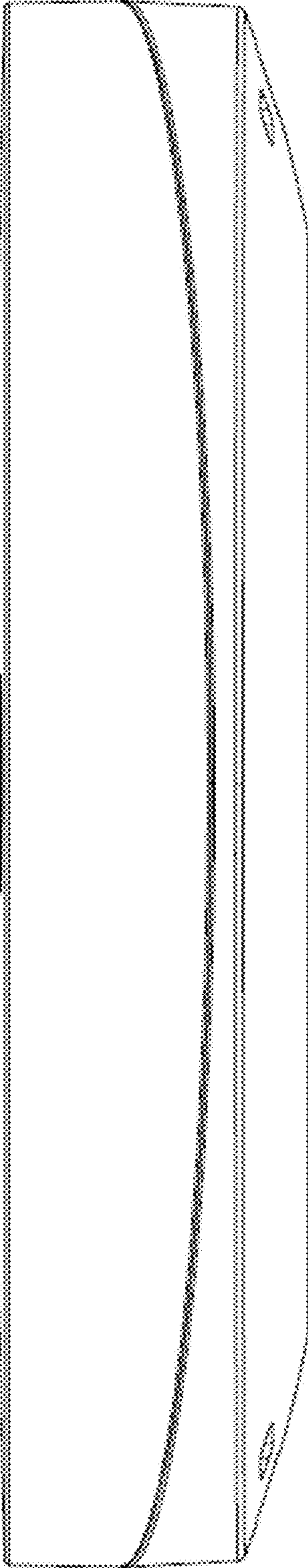


FIG. 2

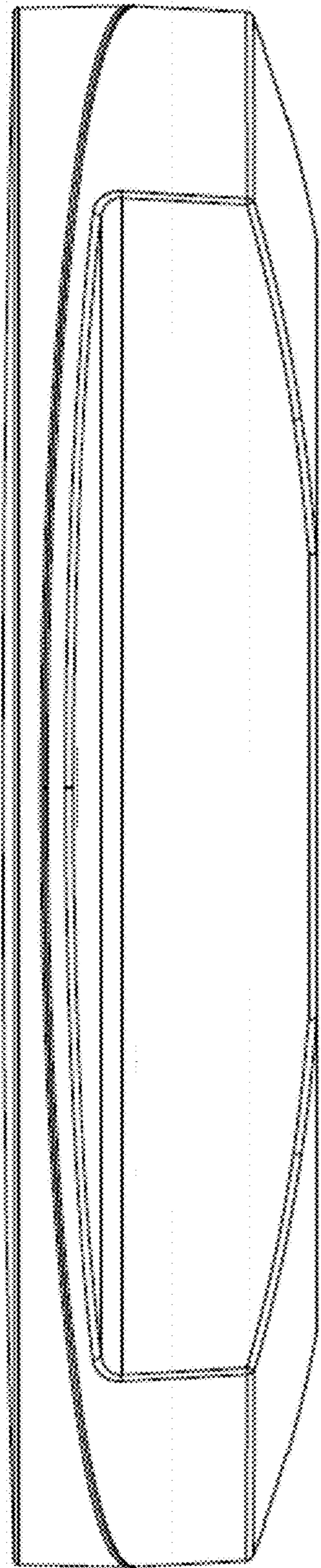


FIG. 3

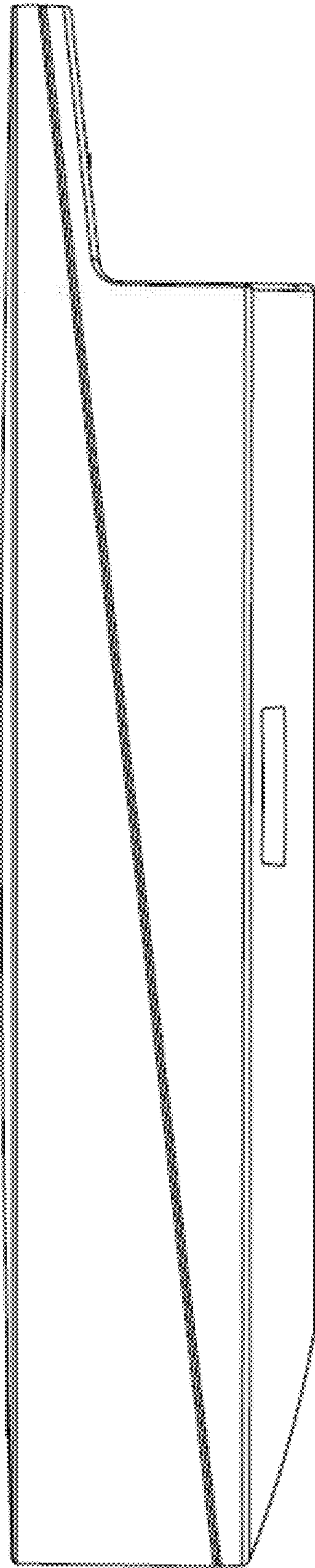


FIG. 4

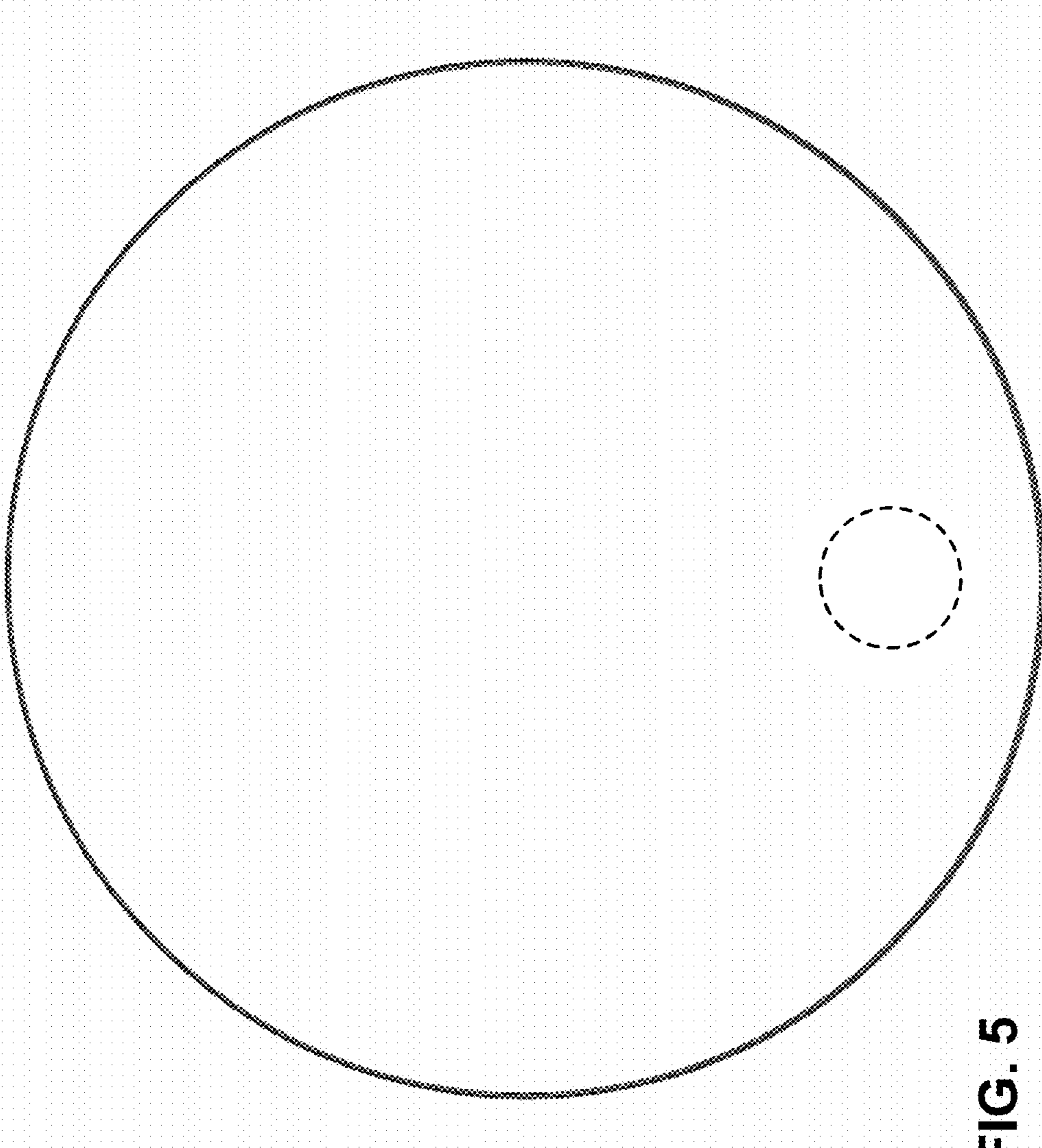


FIG. 5

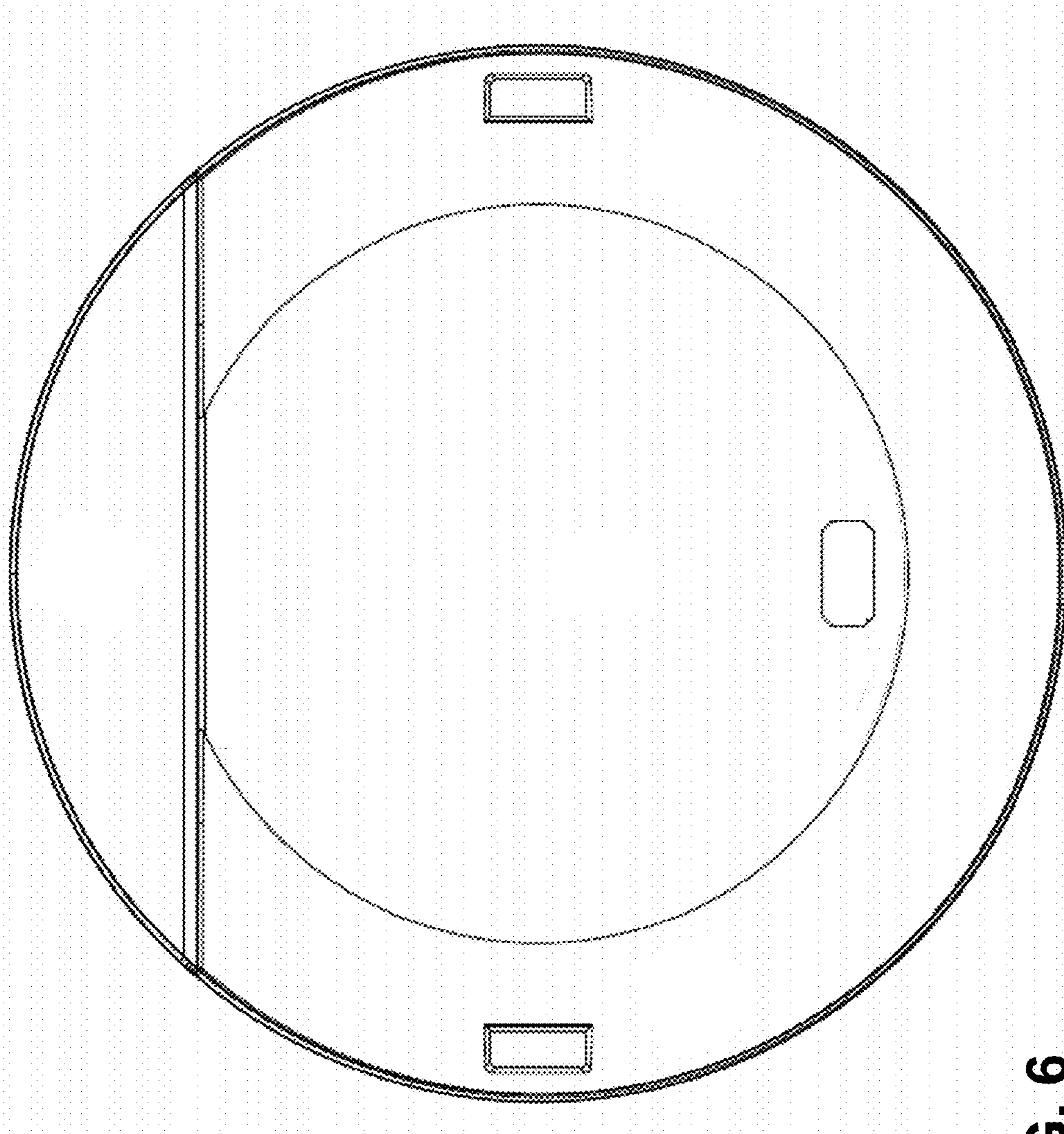


FIG. 6

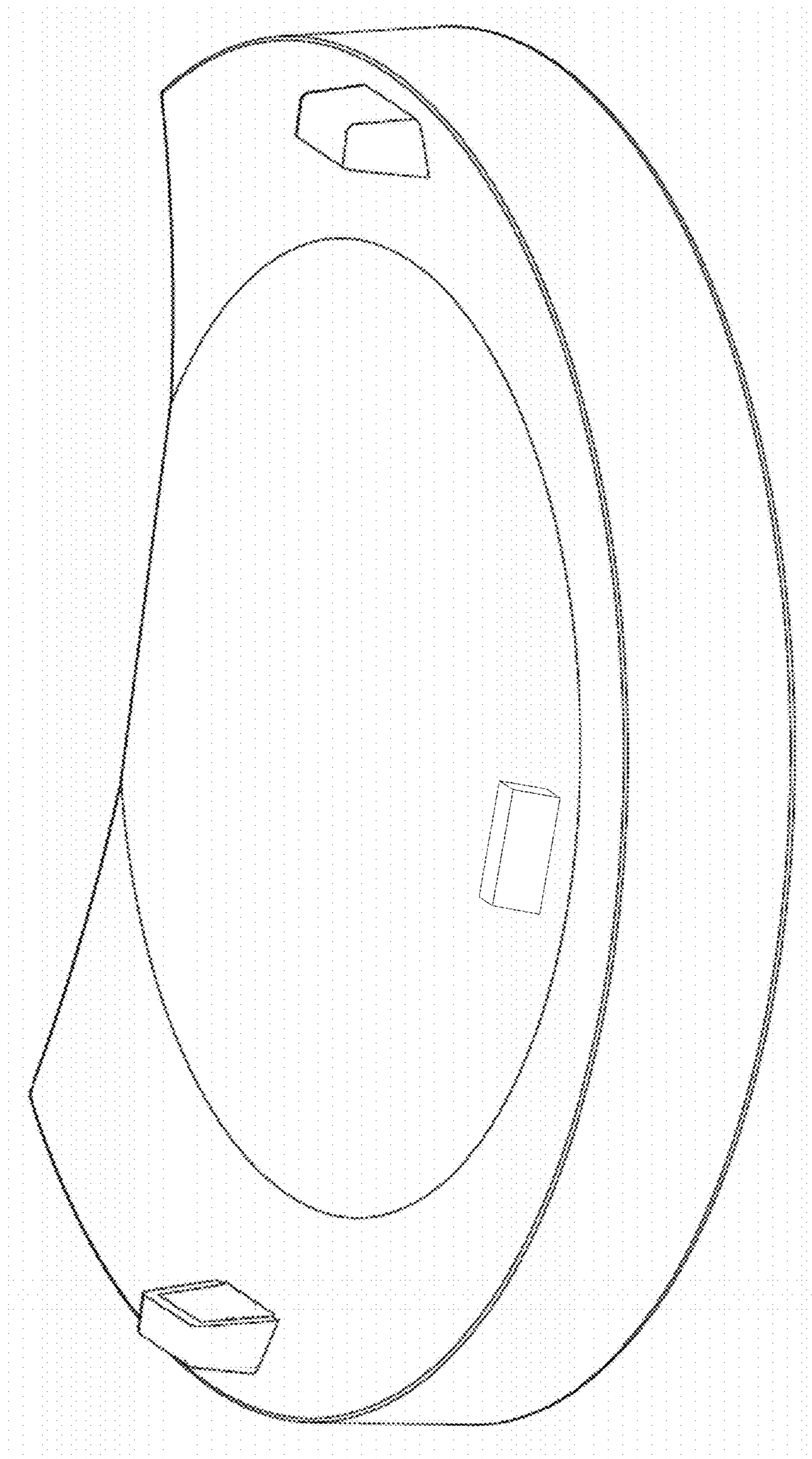


FIG. 7

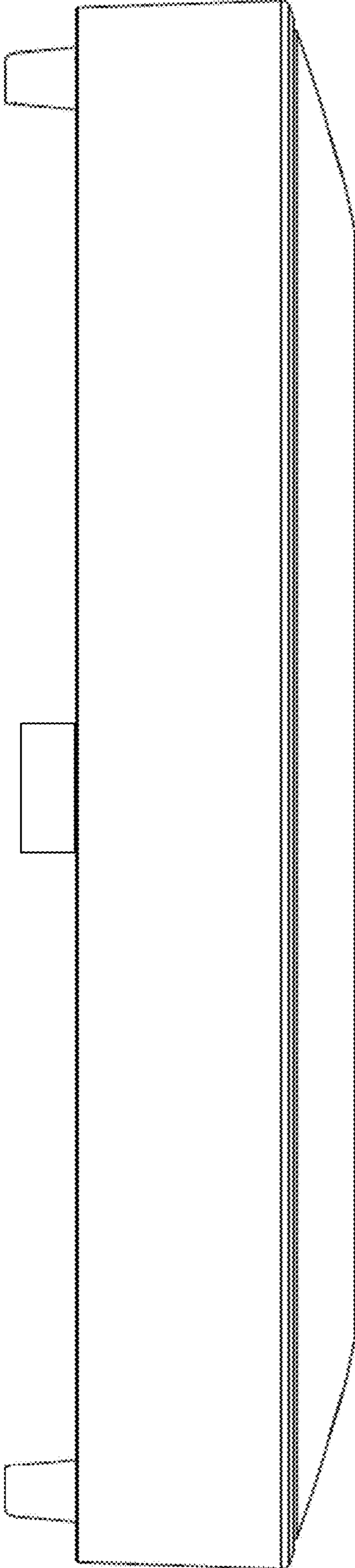


FIG. 8

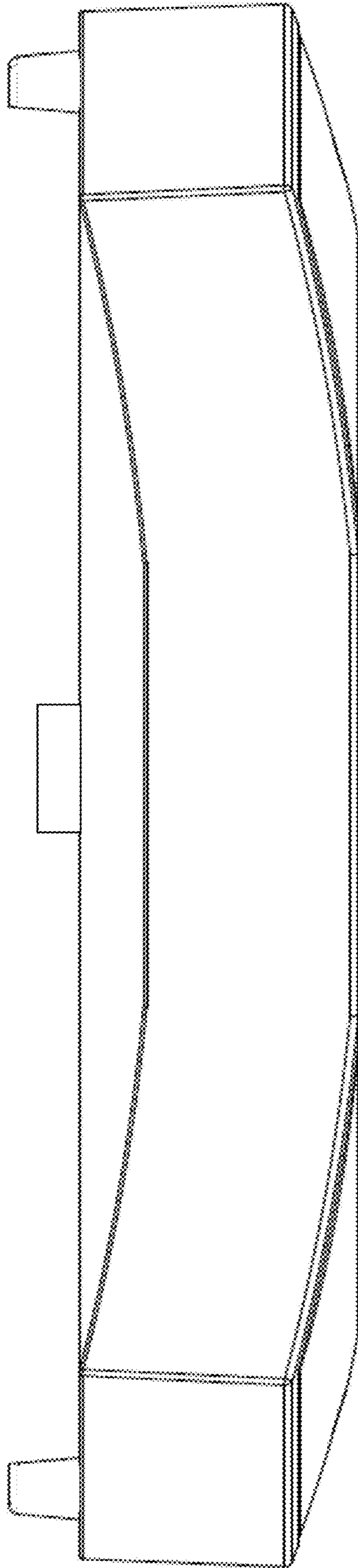


FIG. 9

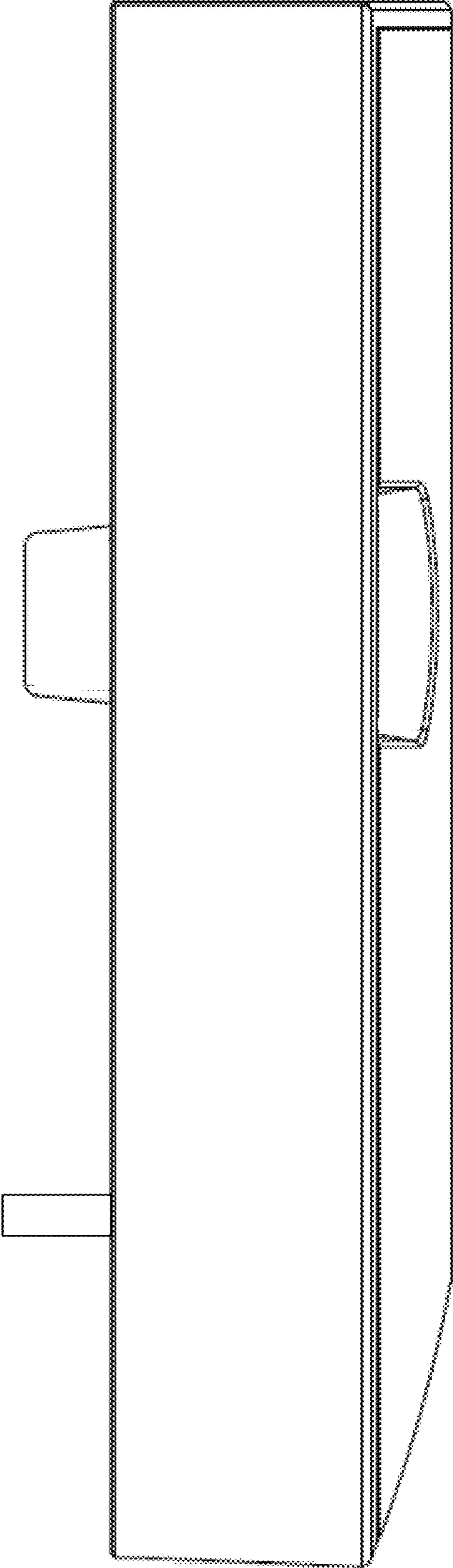


FIG. 10

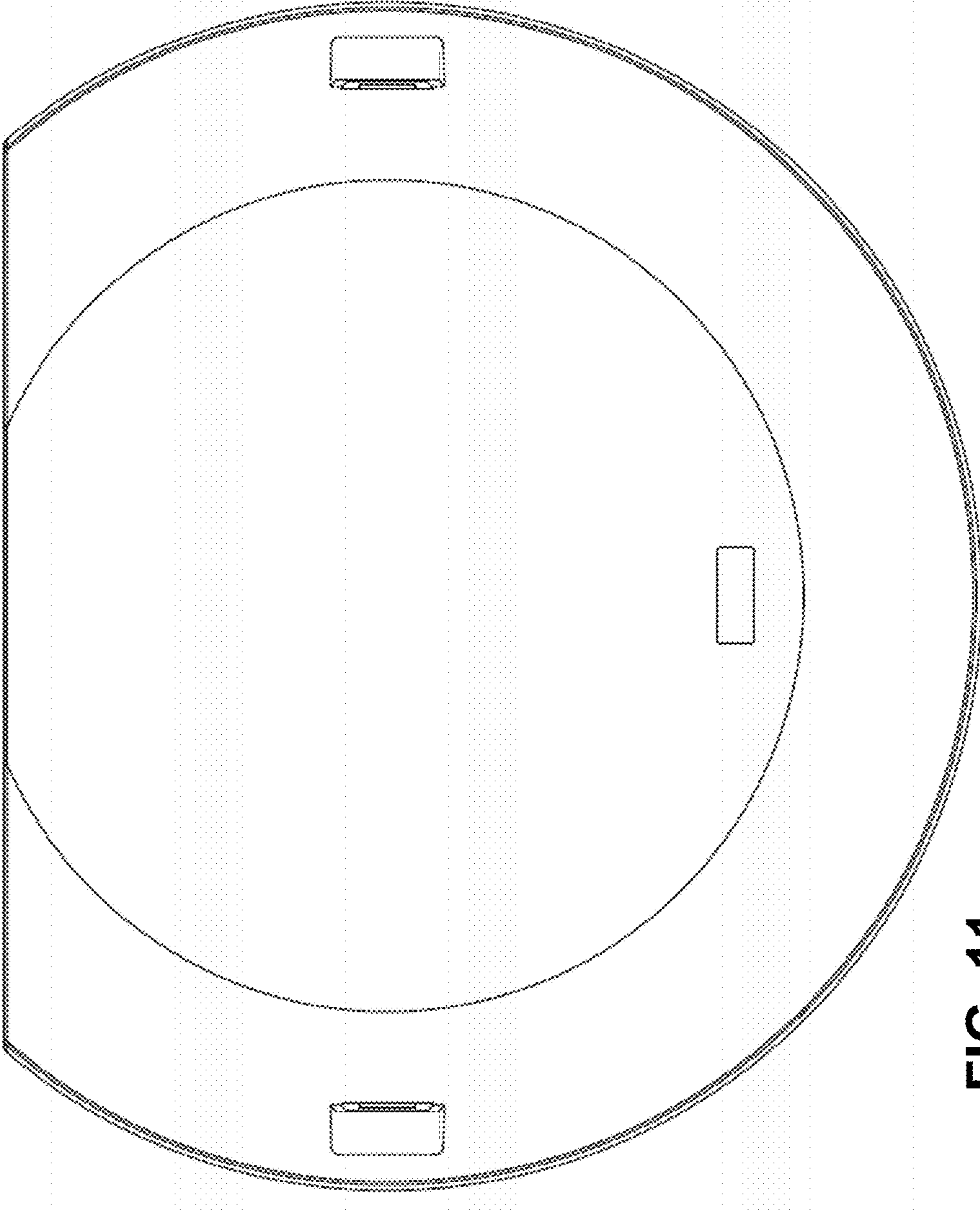


FIG. 11

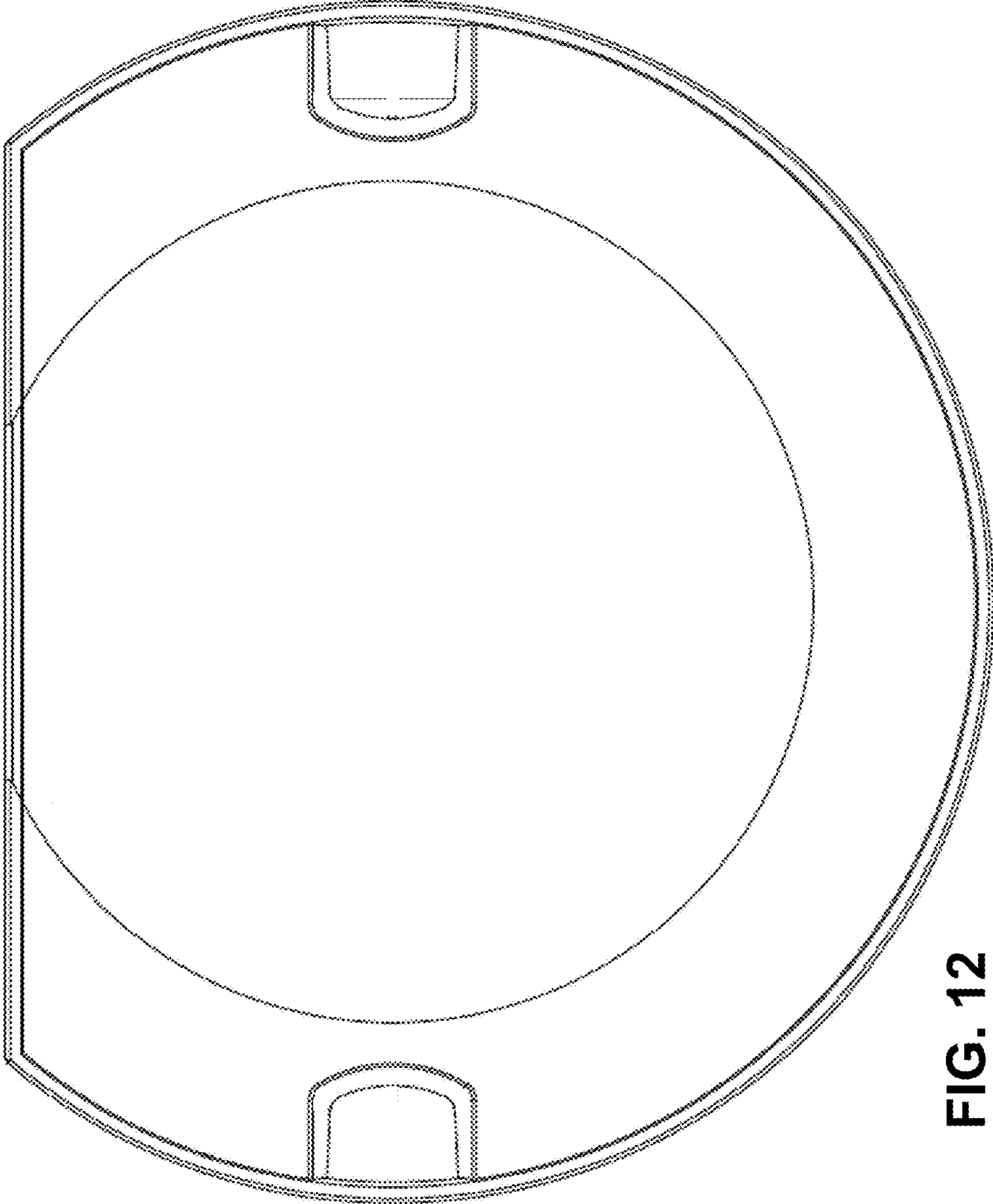


FIG. 12

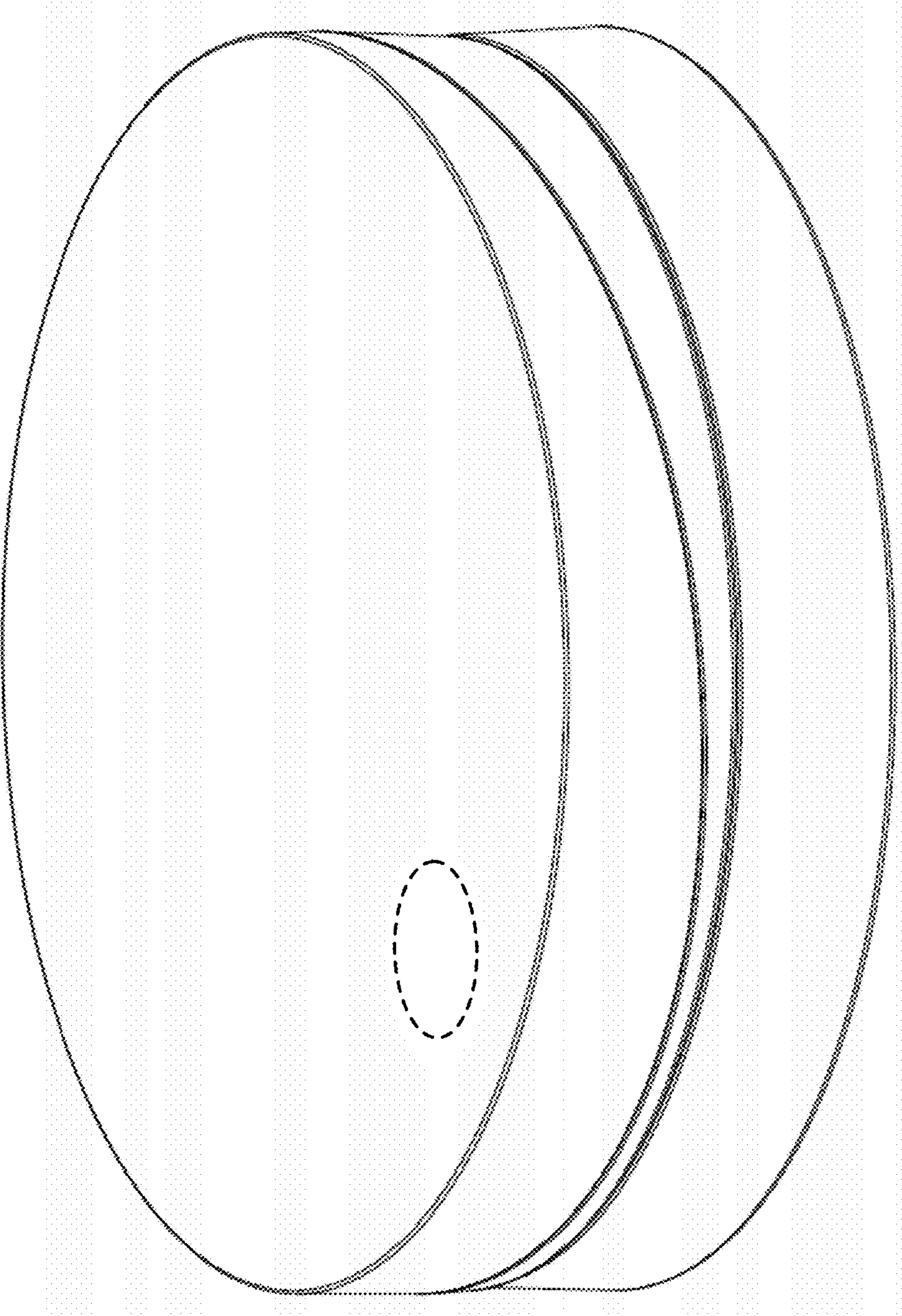


FIG. 13

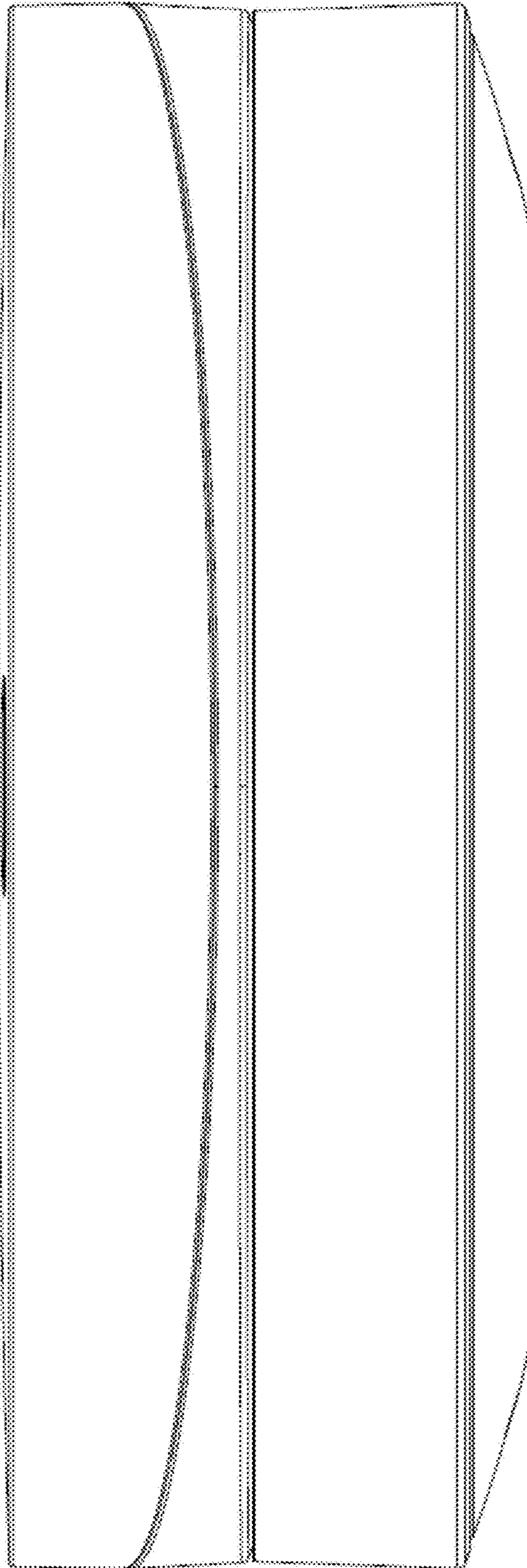


FIG. 14

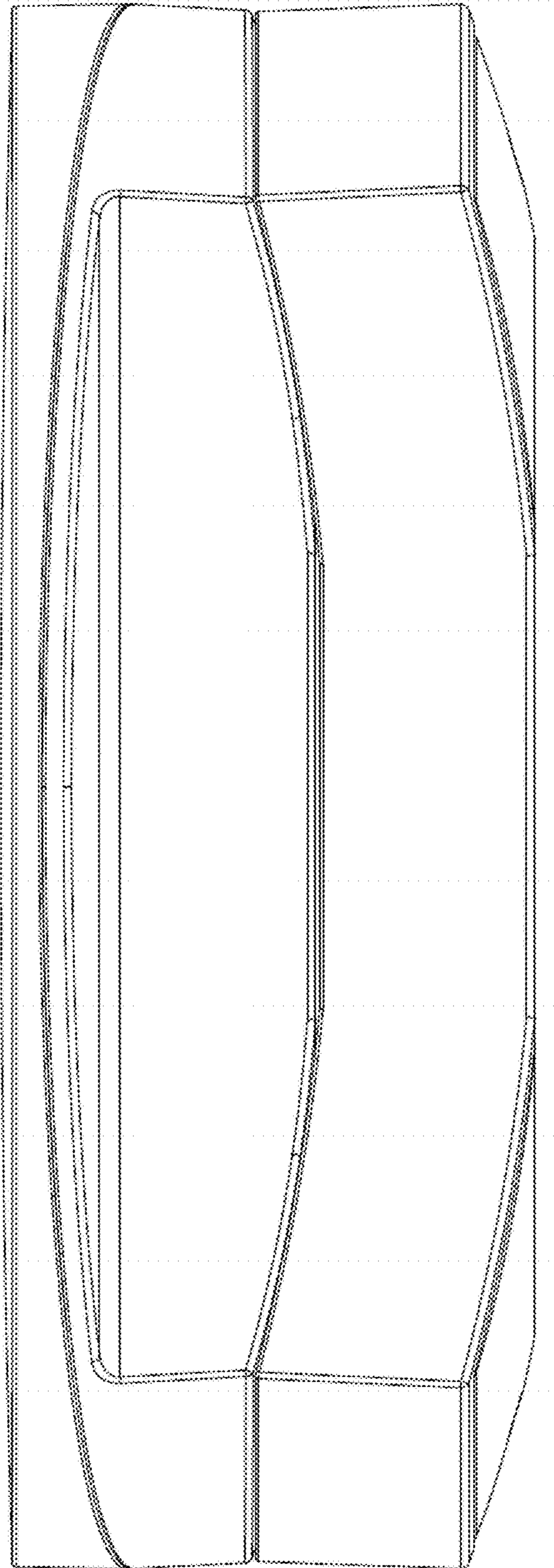


FIG. 15

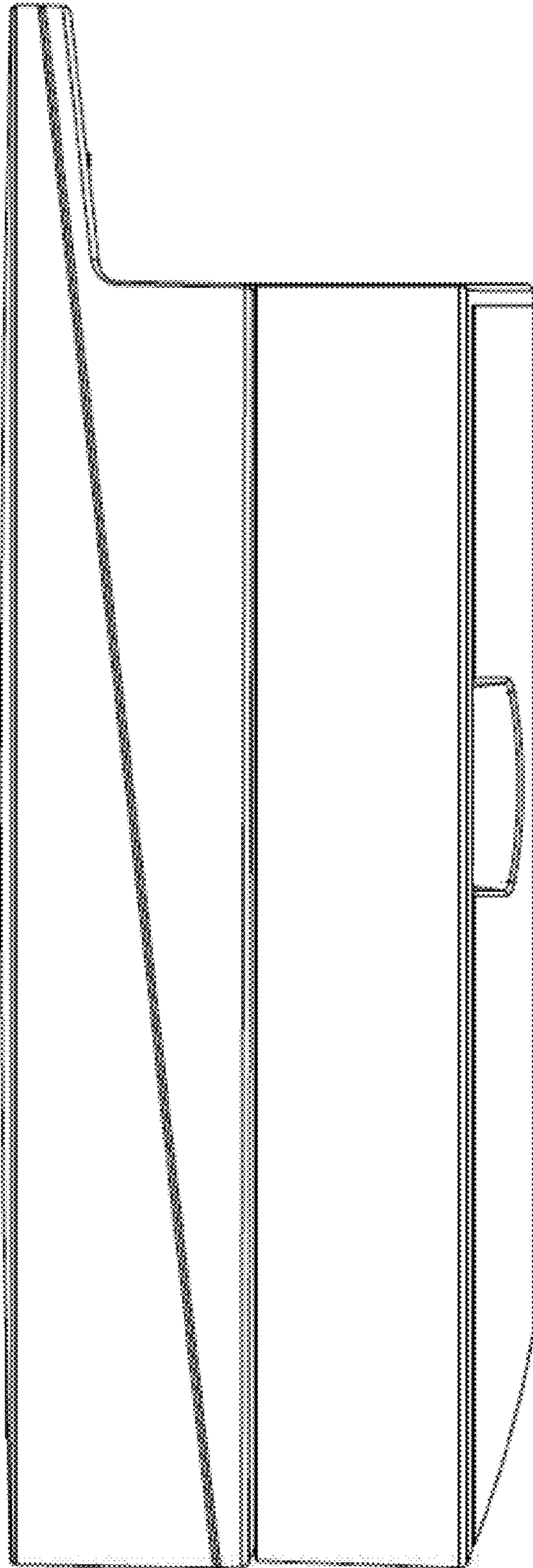


FIG. 16

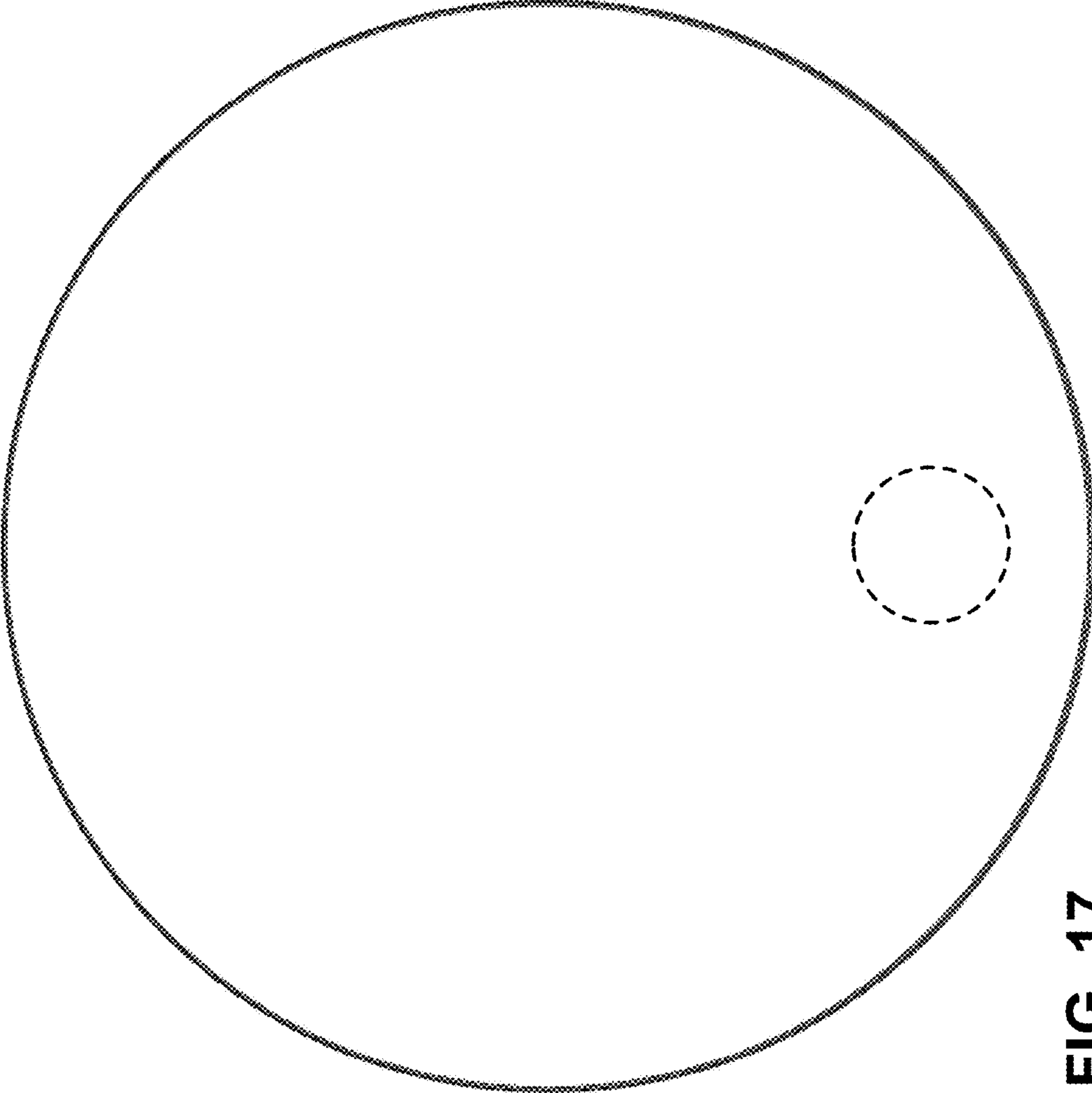


FIG. 17

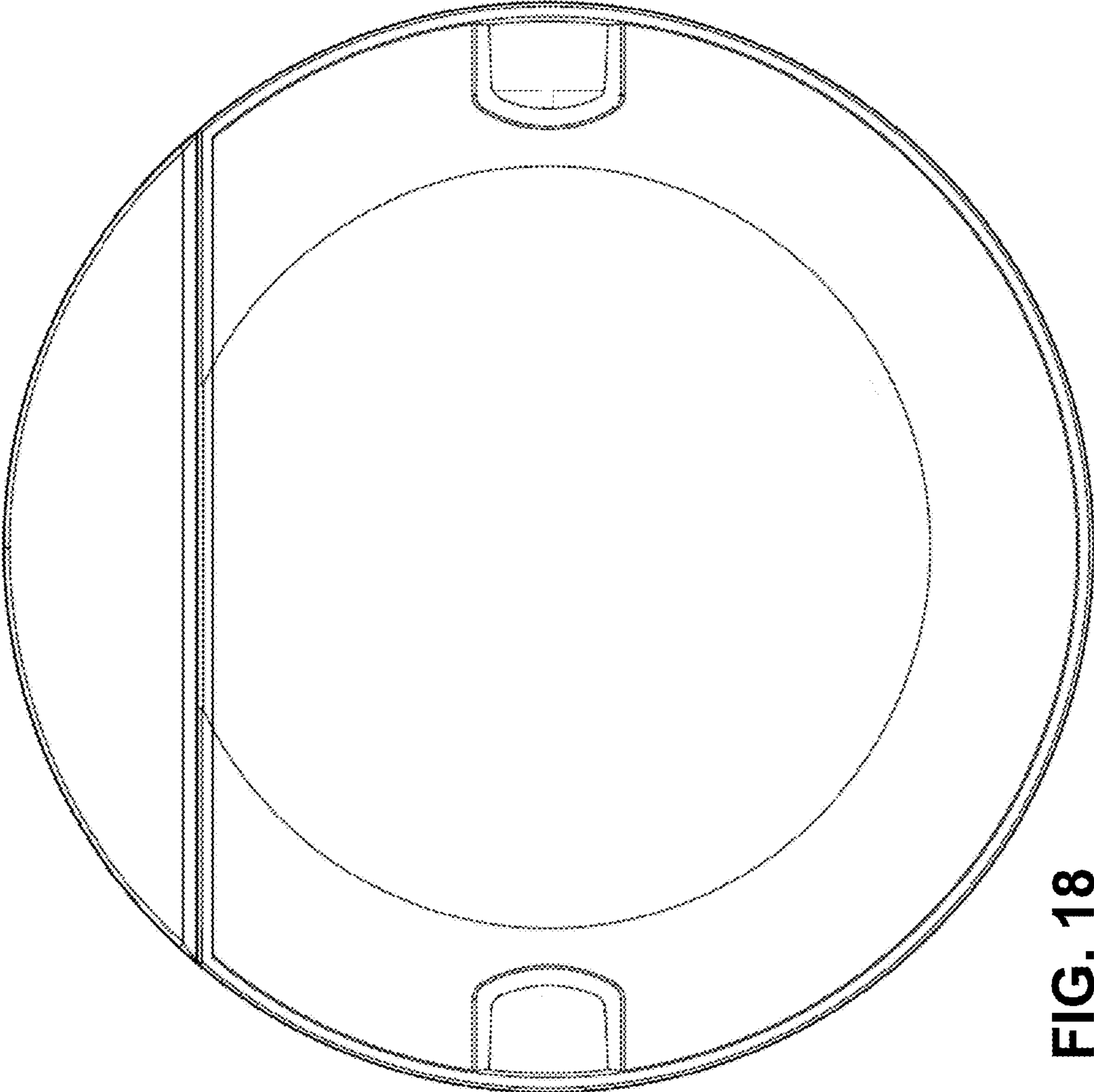


FIG. 18