



US00D769832S

(12) **United States Design Patent**  
**Domon**

(10) **Patent No.:** **US D769,832 S**

(45) **Date of Patent:** **\*\* Oct. 25, 2016**

- (54) **SEMICONDUCTOR DEVICE**
- (71) Applicant: **Sony Corporation**, Tokyo (JP)
- (72) Inventor: **Hitoshi Domon**, Tokyo (JP)
- (73) Assignee: **Sony Corporation**, Tokyo (JP)
- (\*\*) Term: **14 Years**
- (21) Appl. No.: **29/461,551**
- (22) Filed: **Jul. 24, 2013**

- 5,401,910 A \* 3/1995 Mandai ..... H01G 4/2325  
174/250
- 5,994,772 A \* 11/1999 Shin ..... H01L 23/13  
257/686
- D436,947 S 1/2001 Yamada et al.
- D444,953 S \* 7/2001 Marecki ..... D5/99
- D446,946 S \* 8/2001 Shusta ..... D5/99
- D466,093 S \* 11/2002 Ebihara ..... D13/182
- D471,167 S \* 3/2003 Ebihara ..... D13/182
- D475,028 S \* 5/2003 Hori ..... D13/182
- D475,355 S \* 6/2003 Hori ..... D13/182
- D475,982 S \* 6/2003 Hori ..... D13/182
- D528,658 S \* 9/2006 Mueller ..... D24/189
- D547,371 S \* 7/2007 Miller ..... D19/1
- D580,553 S \* 11/2008 Nash ..... D24/189

(30) **Foreign Application Priority Data**

- Feb. 19, 2013 (JP) ..... D2013-003378
- Feb. 19, 2013 (JP) ..... D2013-003379
- Feb. 19, 2013 (JP) ..... D2013-003380
- Feb. 19, 2013 (JP) ..... D2013-003381
- Feb. 19, 2013 (JP) ..... D2013-003382
- Feb. 19, 2013 (JP) ..... D2013-003383
- Feb. 19, 2013 (JP) ..... D2013-003384
- Feb. 19, 2013 (JP) ..... D2013-003385
- Feb. 19, 2013 (JP) ..... D2013-003386
- Feb. 19, 2013 (JP) ..... D2013-003387
- Feb. 19, 2013 (JP) ..... D2013-003388

(51) **LOC (10) Cl.** ..... **13-03**

(52) **U.S. Cl.**  
USPC ..... **D13/182**

(58) **Field of Classification Search**  
USPC ..... D13/182; D5/40, 55; D10/71;  
D19/66-71; D8/44; D24/189, 124, 126  
CPC ..... H05K 1/0228; H05K 1/0245; H05K  
1/0236; H05K 1/0263; H01L 21/02433;  
H01L 29/04  
See application file for complete search history.

(56) **References Cited**

**U.S. PATENT DOCUMENTS**

- 4,085,314 A \* 4/1978 Schultz ..... G06K 19/06009  
235/487
- 5,237,164 A \* 8/1993 Takada ..... G06K 1/126  
235/382

(Continued)

*Primary Examiner* — Elizabeth J Oswecki  
(74) *Attorney, Agent, or Firm* — Michael Best and  
Friedrich LLP

(57) **CLAIM**

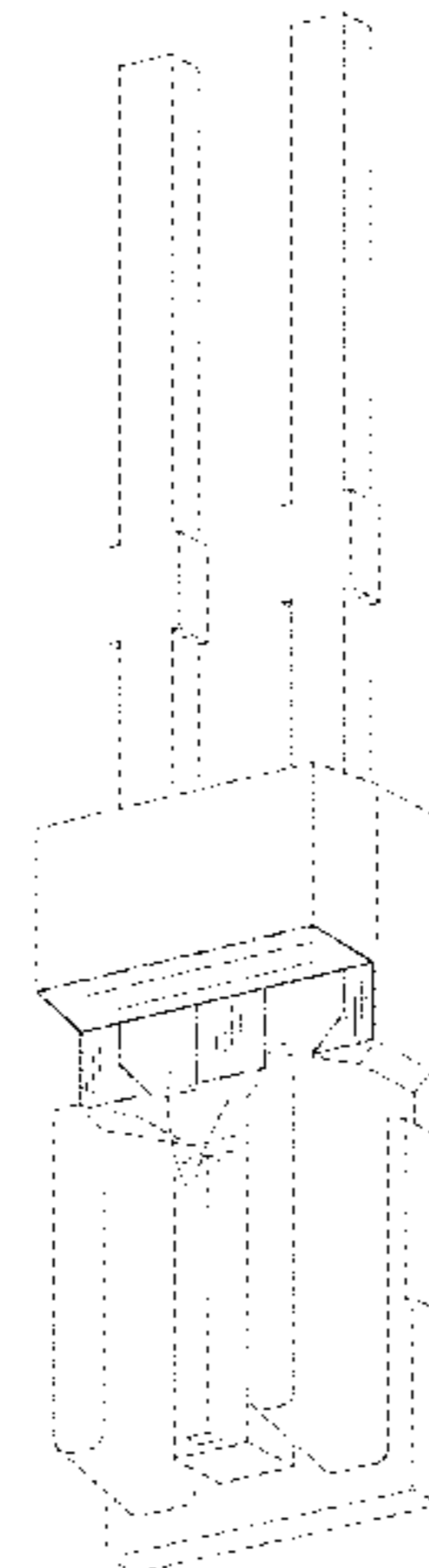
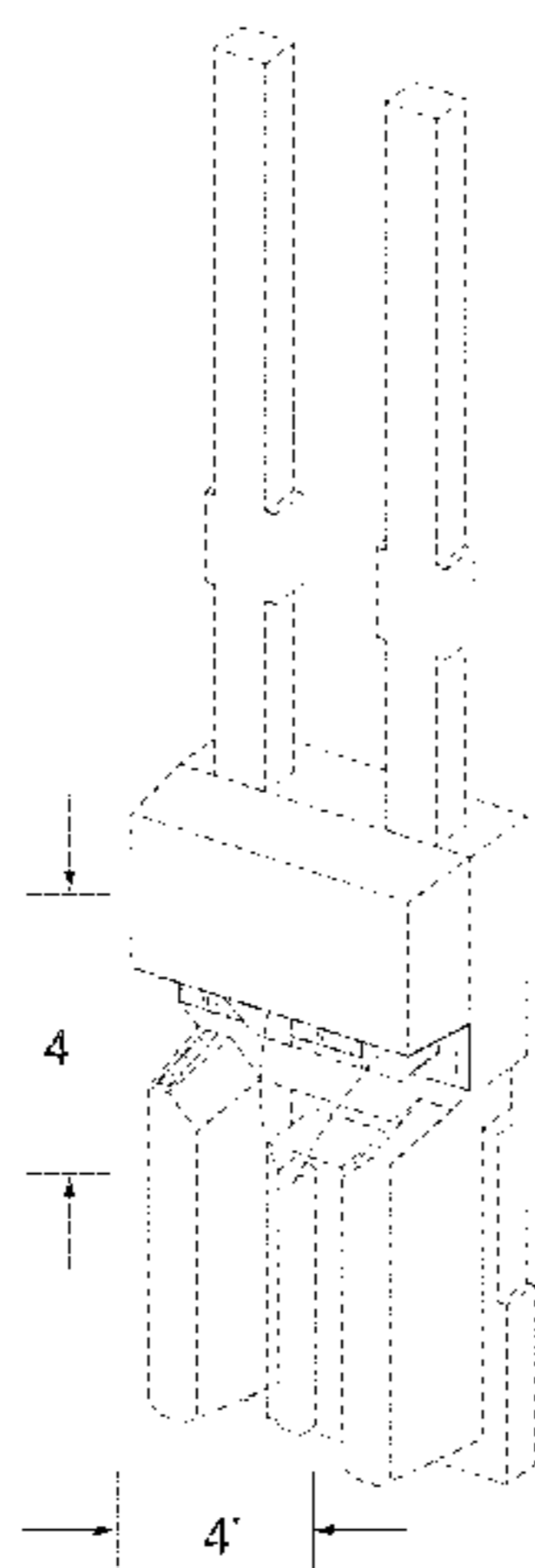
The ornamental design for a semiconductor device, as shown and described.

**DESCRIPTION**

FIG. 1 is a front, top, right perspective view of a semiconductor device showing my new design; FIG. 2 is a front, bottom, right perspective view thereof; and, FIG. 3 is a front elevational view thereof. FIG. 4 is an enlarged front, top, right perspective view taken along lines 4-4 in FIG. 1; and, FIG. 5 is an enlarged front elevational view taken along lines 5-5 in FIG. 3.

The shaded surfaces areas on the semiconductor device define the claimed design. The broken lines shown in the drawings represent portions of the semiconductor device that form no part of the claimed design. The dashed-dot-dashed lines form the boundary lines of the claimed design and form no part of the claimed design. All surfaces not shown form no part of the claimed design.

**1 Claim, 5 Drawing Sheets**



(56)

References Cited

U.S. PATENT DOCUMENTS

D587,907 S *	3/2009	Vandenberg .....	D5/56	D721,047 S *	1/2015	Vinciarelli .....	D13/182
D594,663 S *	6/2009	Vandenberg .....	D5/63	D730,911 S *	6/2015	Lim .....	D14/436
D600,284 S *	9/2009	Yonestu .....	D19/69	D736,213 S *	8/2015	Kang .....	D14/436
D651,991 S *	1/2012	Nishiguchi .....	D13/182	D736,216 S *	8/2015	Kang .....	D14/436
D651,992 S *	1/2012	Nishiguchi .....	D13/182	2006/0097374 A1 *	5/2006	Egawa .....	H01L 23/3128 257/686
D652,809 S *	1/2012	Wedding .....	D13/182	2008/0049392 A1 *	2/2008	Takiar .....	G06K 19/04 361/679.32
D655,256 S *	3/2012	Nishiguchi .....	D13/182	2008/0132091 A1 *	6/2008	Choi .....	G06K 19/07 439/55
D678,227 S *	3/2013	Takahashi .....	D13/182	2008/0305136 A1 *	12/2008	Yang .....	A01N 59/16 424/407
D690,672 S *	10/2013	Yoshida .....	D13/182	2014/0057091 A1 *	2/2014	Krawinkel .....	C09J 7/0246 428/220
D695,552 S *	12/2013	Gatto .....	D5/56				
D707,193 S *	6/2014	Ogura .....	D13/182				
D718,812 S *	12/2014	Sukhbaatar .....	D19/69				

\* cited by examiner

FIG.1

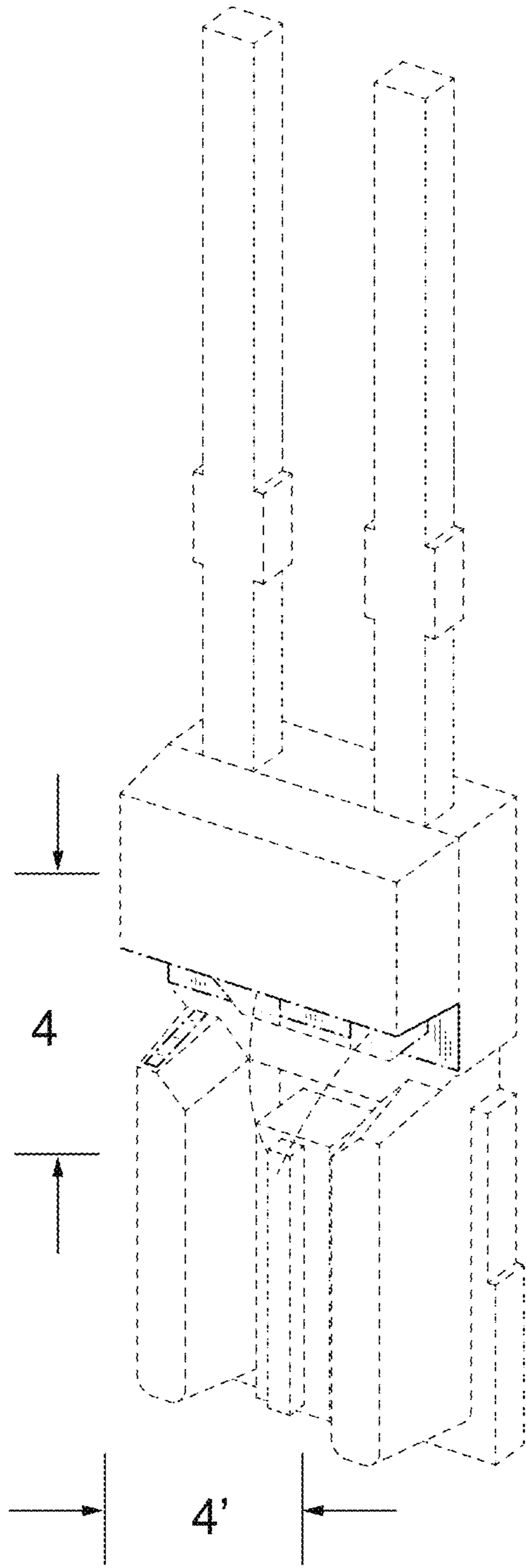


FIG.2

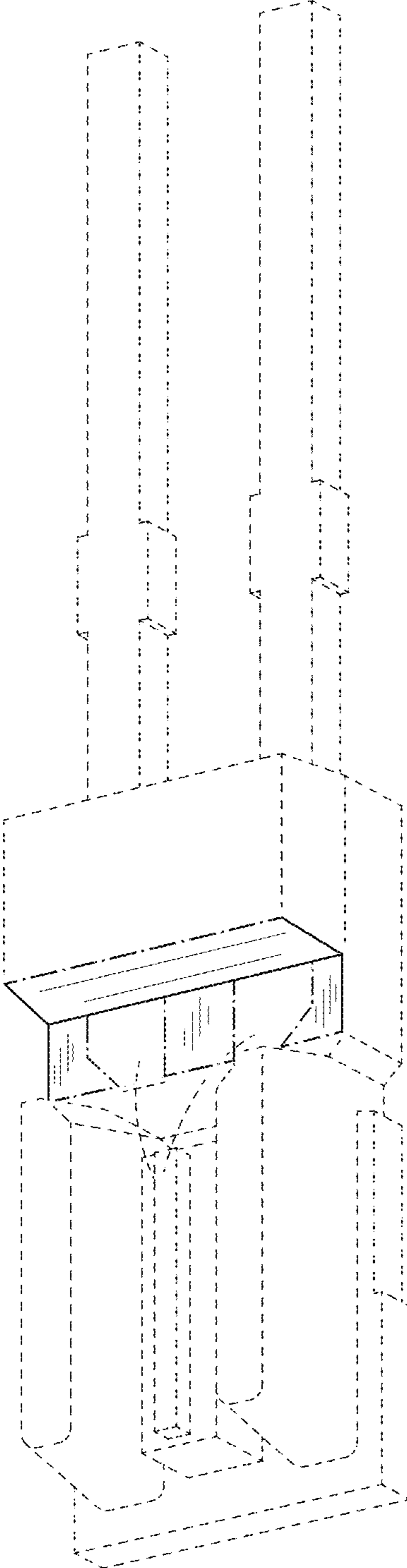


FIG.3

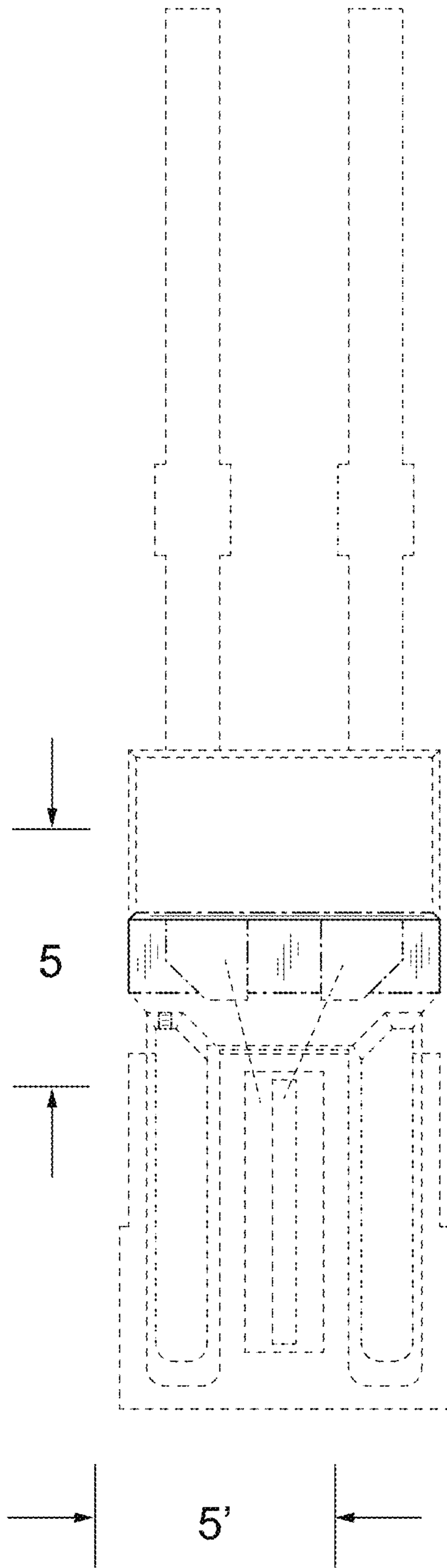


FIG.4

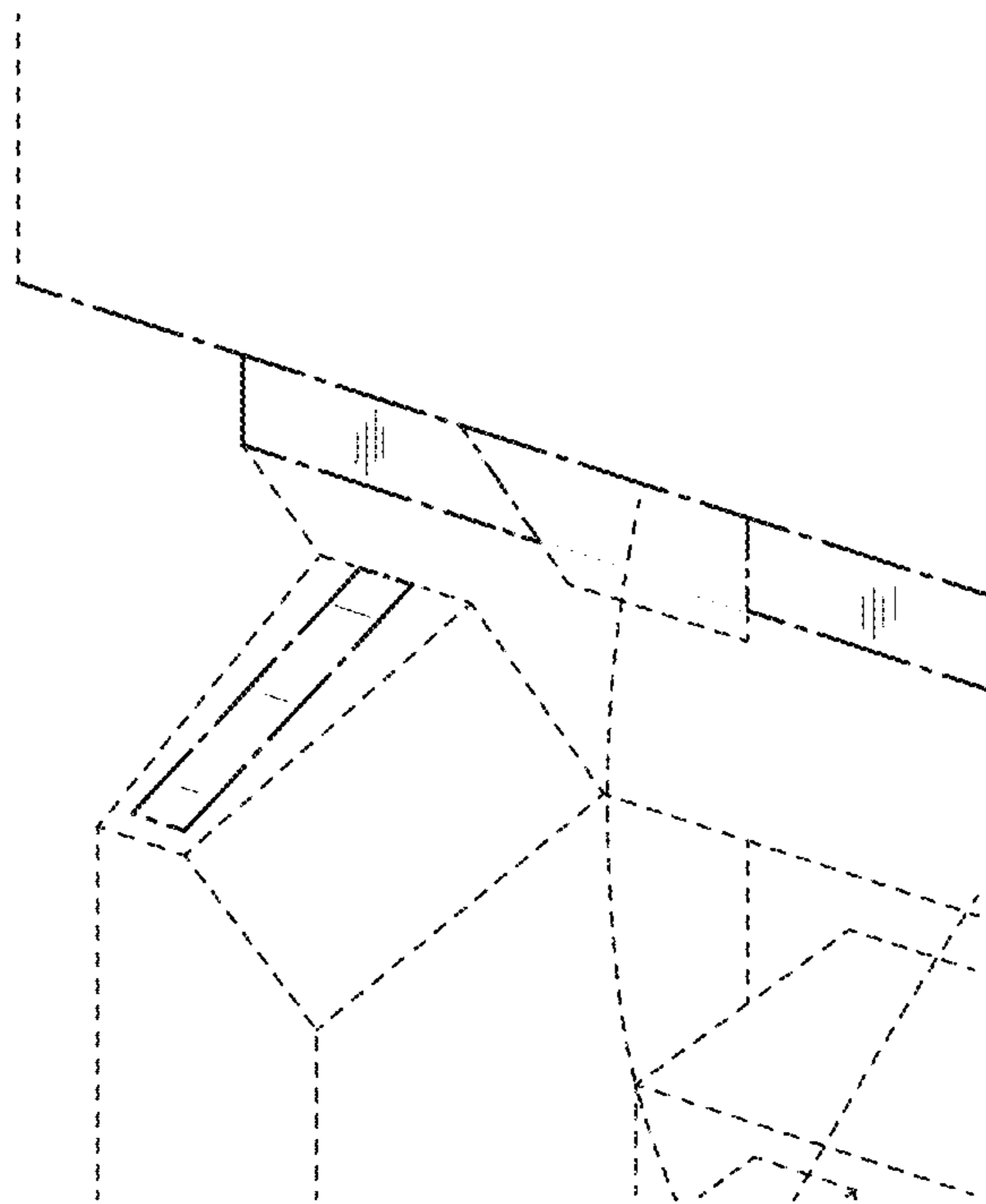


FIG.5

