



US00D769828S

(12) **United States Design Patent** (10) **Patent No.:** **US D769,828 S**
Katagiyama et al. (45) **Date of Patent:** **** Oct. 25, 2016**

- (54) **CAP FOR OPTICAL CONNECTOR**
- (71) Applicant: **Japan Aviation Electronics Industry, Limited, Tokyo (JP)**
- (72) Inventors: **Naoki Katagiyama, Tokyo (JP); Yuichi Koreeda, Tokyo (JP)**
- (73) Assignee: **JAPAN AVIATION ELECTRONICS INDUSTRY, LIMITED, Tokyo (JP)**
- (**) Term: **15 Years**
- (21) Appl. No.: **29/528,177**
- (22) Filed: **May 27, 2015**
- (30) **Foreign Application Priority Data**

Dec. 10, 2014 (JP) 2014-027522

- (51) **LOC (10) Cl.** **13-03**
- (52) **U.S. Cl.**
USPC **D13/156**
- (58) **Field of Classification Search**
USPC D13/120, 121, 122, 133, 154, 156, 158, 174/67, 92, 93; 361/600; 439/723, 752, 439/135, 149, 367; 385/134, 35
CPC H01R 13/424; H01R 13/436; H01R 13/4362; H01R 13/5213; H01R 13/6392; G02B 6/3831
See application file for complete search history.

(56) **References Cited**

U.S. PATENT DOCUMENTS

D244,027 S * 4/1977 Mooney D13/156
D251,491 S * 4/1979 Snyder, Jr. D13/146
D316,402 S * 4/1991 Baker D13/156
6,022,150 A * 2/2000 Erdman G02B 6/3843
385/62
6,062,739 A * 5/2000 Blake G02B 6/3831
385/56
6,491,443 B1 * 12/2002 Serizawa G02B 6/4204
385/33
6,524,015 B1 * 2/2003 Cheng G02B 6/3846
385/76
D672,318 S * 12/2012 Smith D13/156

8,824,841 B1 * 9/2014 Mullen G02B 6/3878
29/428
D722,024 S * 2/2015 Smith D13/147
D733,655 S * 7/2015 Sato D13/133
D734,266 S * 7/2015 Sato D13/133
D745,117 S * 12/2015 Ramey D23/262
D747,634 S * 1/2016 Katagiyama D8/14
D751,505 S * 3/2016 Katagiyama D13/133
2009/0305542 A1 * 12/2009 Masuzaki H01R 13/625
439/335
2012/0282788 A1 * 11/2012 Lin H01R 13/443
439/135
2014/0065872 A1 * 3/2014 Yamada H01R 13/6271
439/357

* cited by examiner

Primary Examiner — Derrick Holland
Assistant Examiner — Jennifer O King
(74) *Attorney, Agent, or Firm* — Manabu Kanesaka

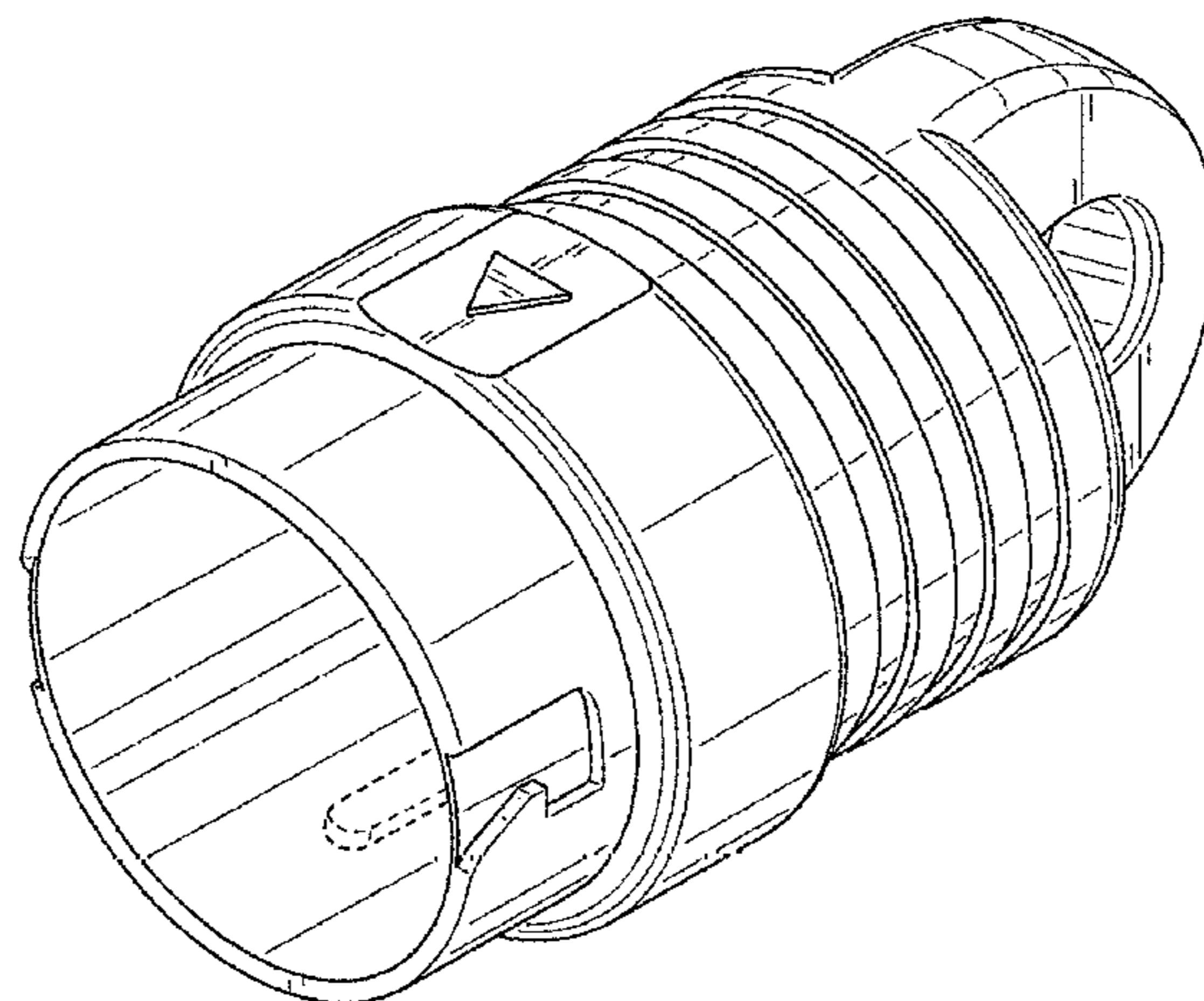
(57) **CLAIM**

The ornamental design for a cap for optical connector, as shown and described.

DESCRIPTION

FIG. 1 is a front view of a cap for optical connector showing our new design;
FIG. 2 is a rear view thereof;
FIG. 3 is a right side view thereof;
FIG. 4 is a left side view thereof;
FIG. 5 is a top plan view thereof;
FIG. 6 is a bottom plan view thereof;
FIG. 7 is a perspective view showing a front, top and right side thereof;
FIG. 8 is a perspective view showing a rear, bottom and left side thereof;
FIG. 9 is a perspective view showing a front, right side and bottom thereof; and,
FIG. 10 is a perspective view showing a rear, left side and top thereof.
The broken lines shown represent unclaimed subject matter and form no part of the claimed design.

1 Claim, 10 Drawing Sheets



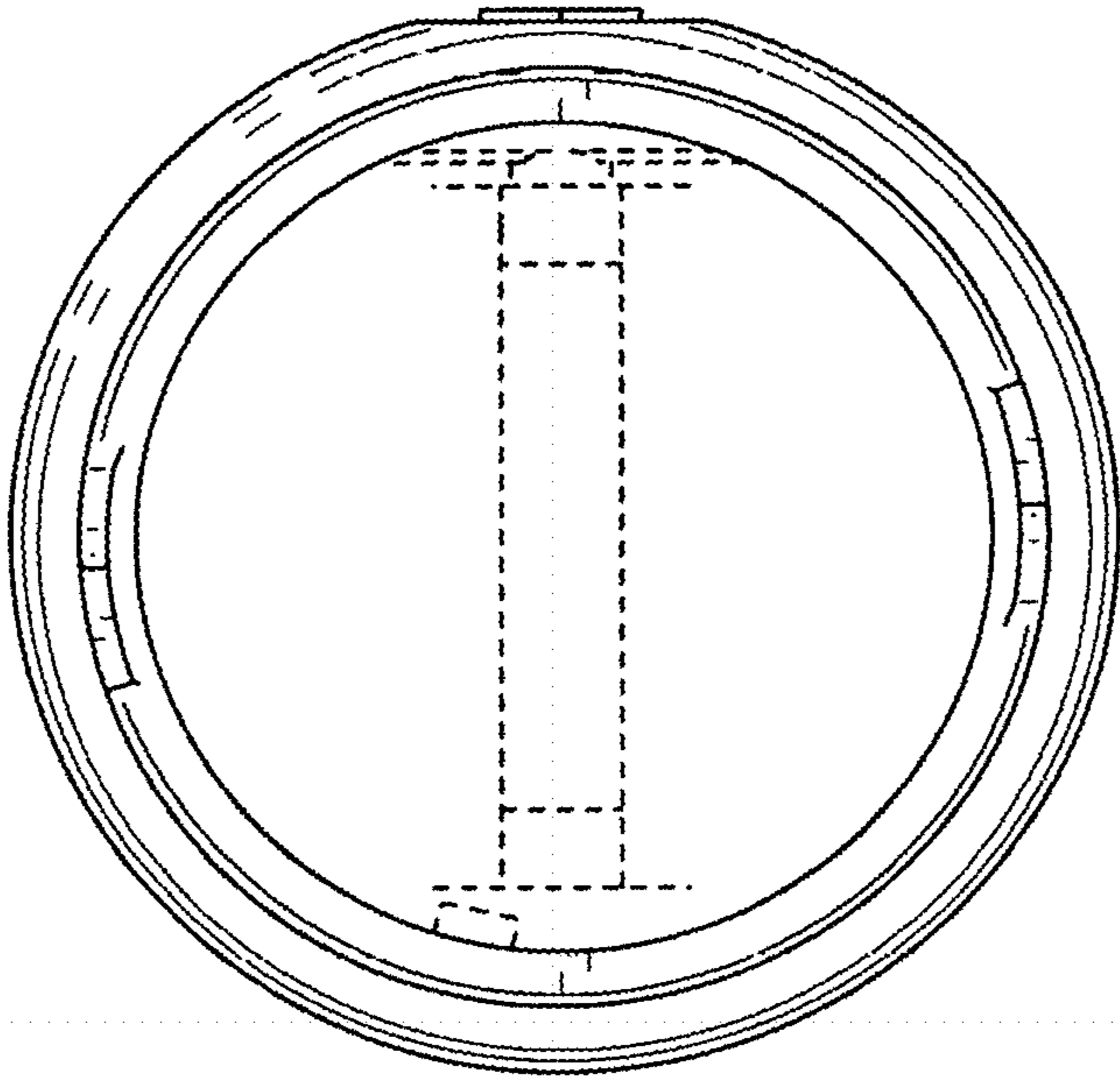


FIG. 1

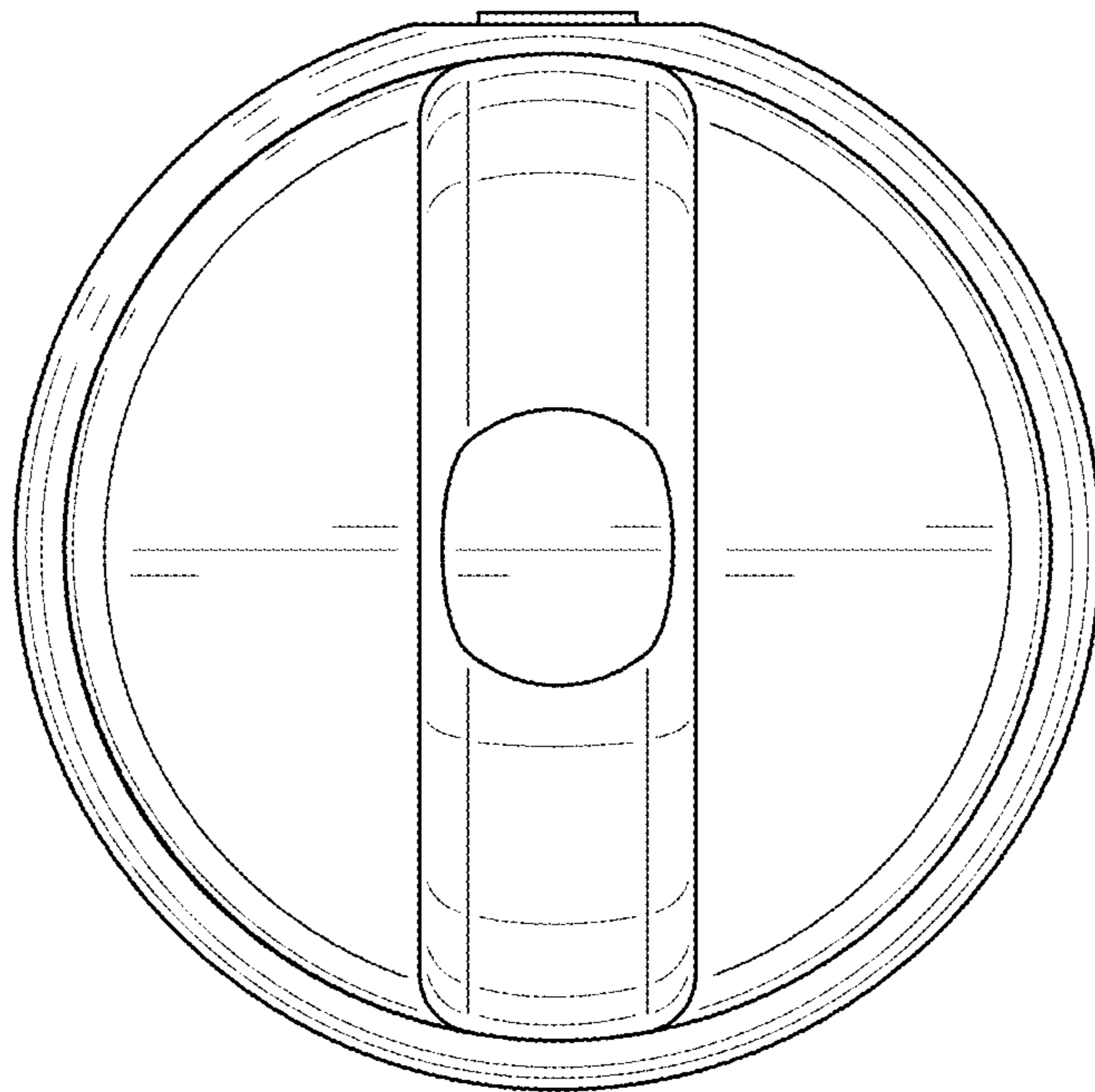


FIG. 2

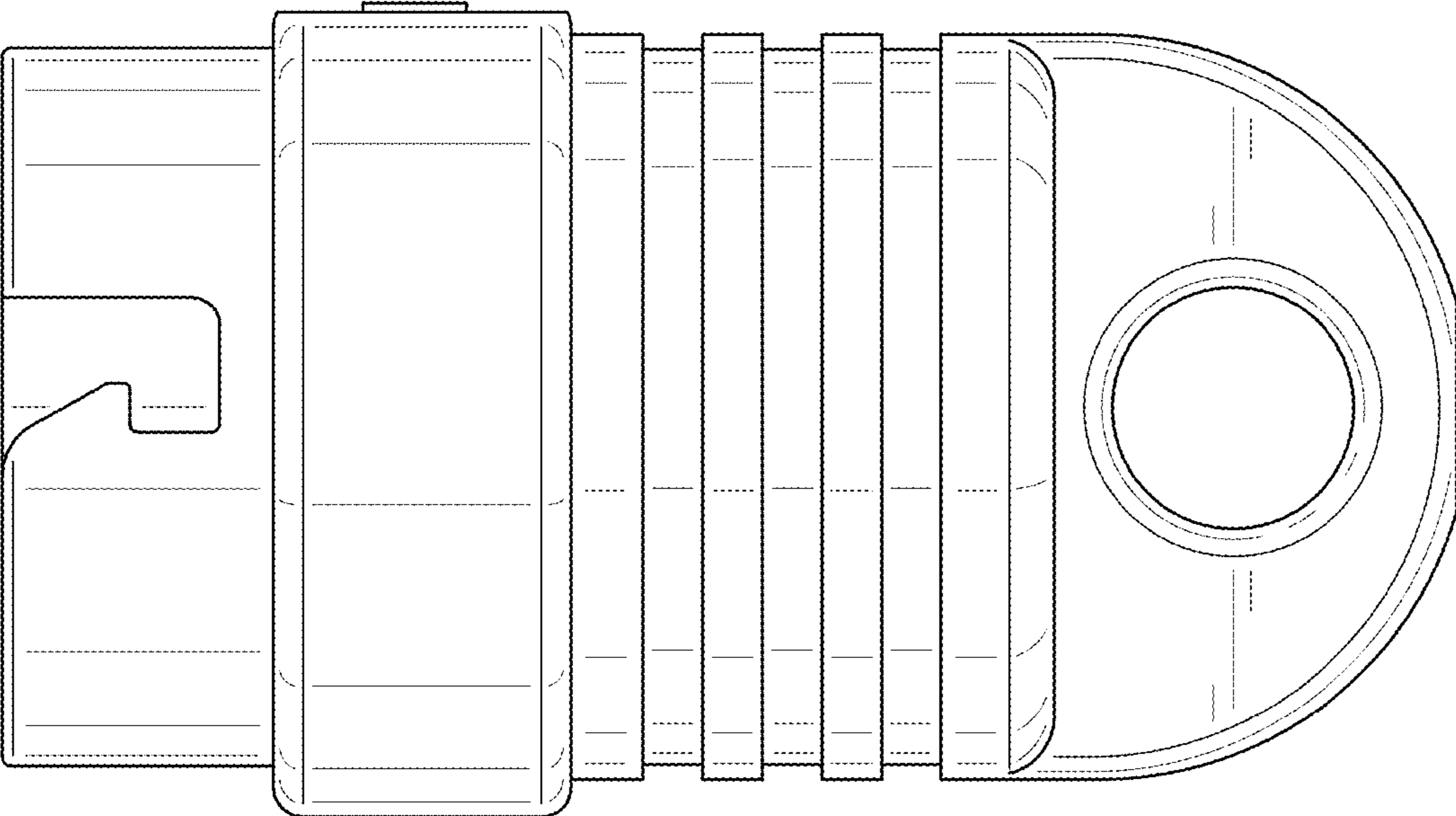


FIG. 3

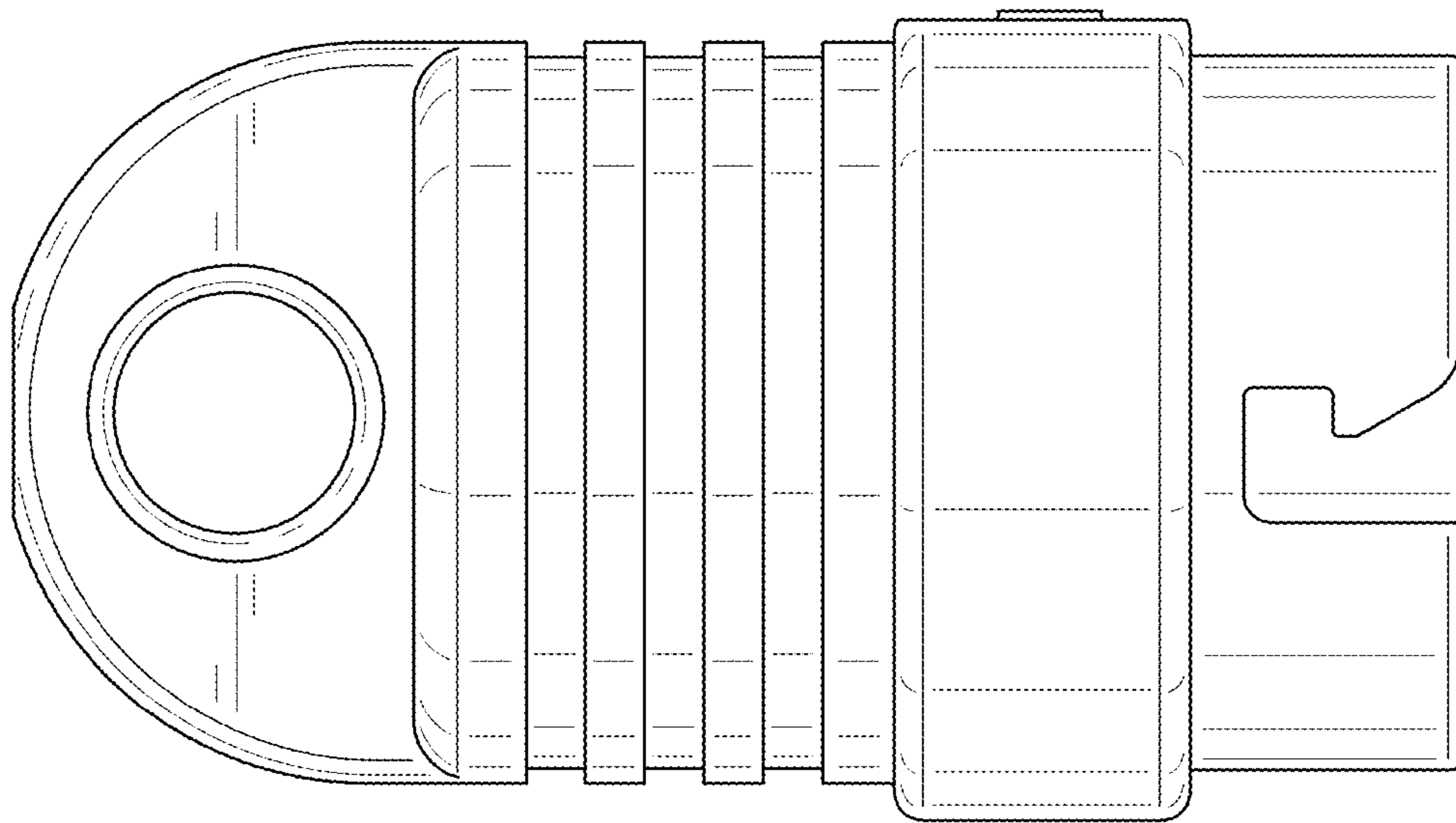


FIG. 4

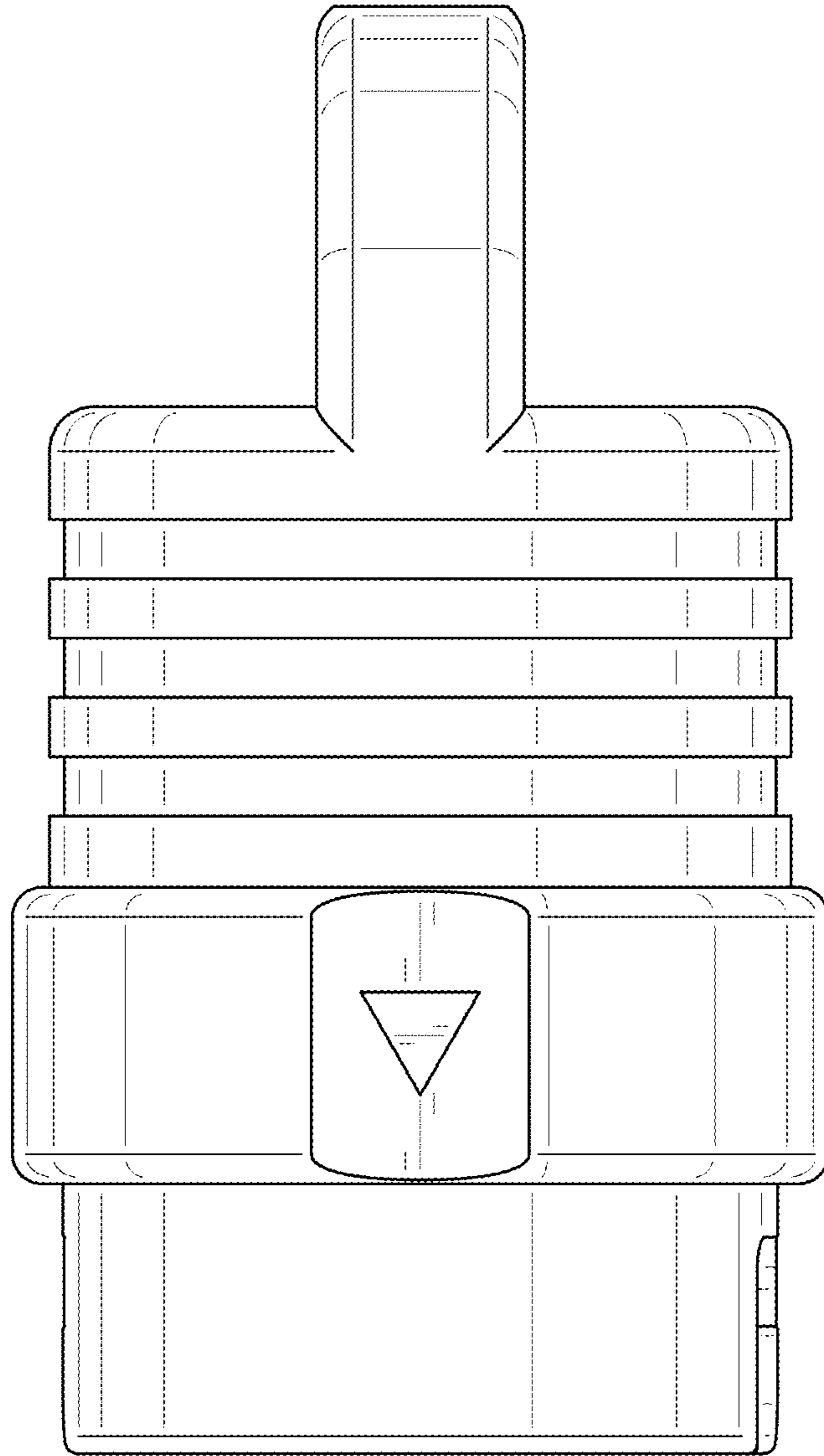


FIG. 5

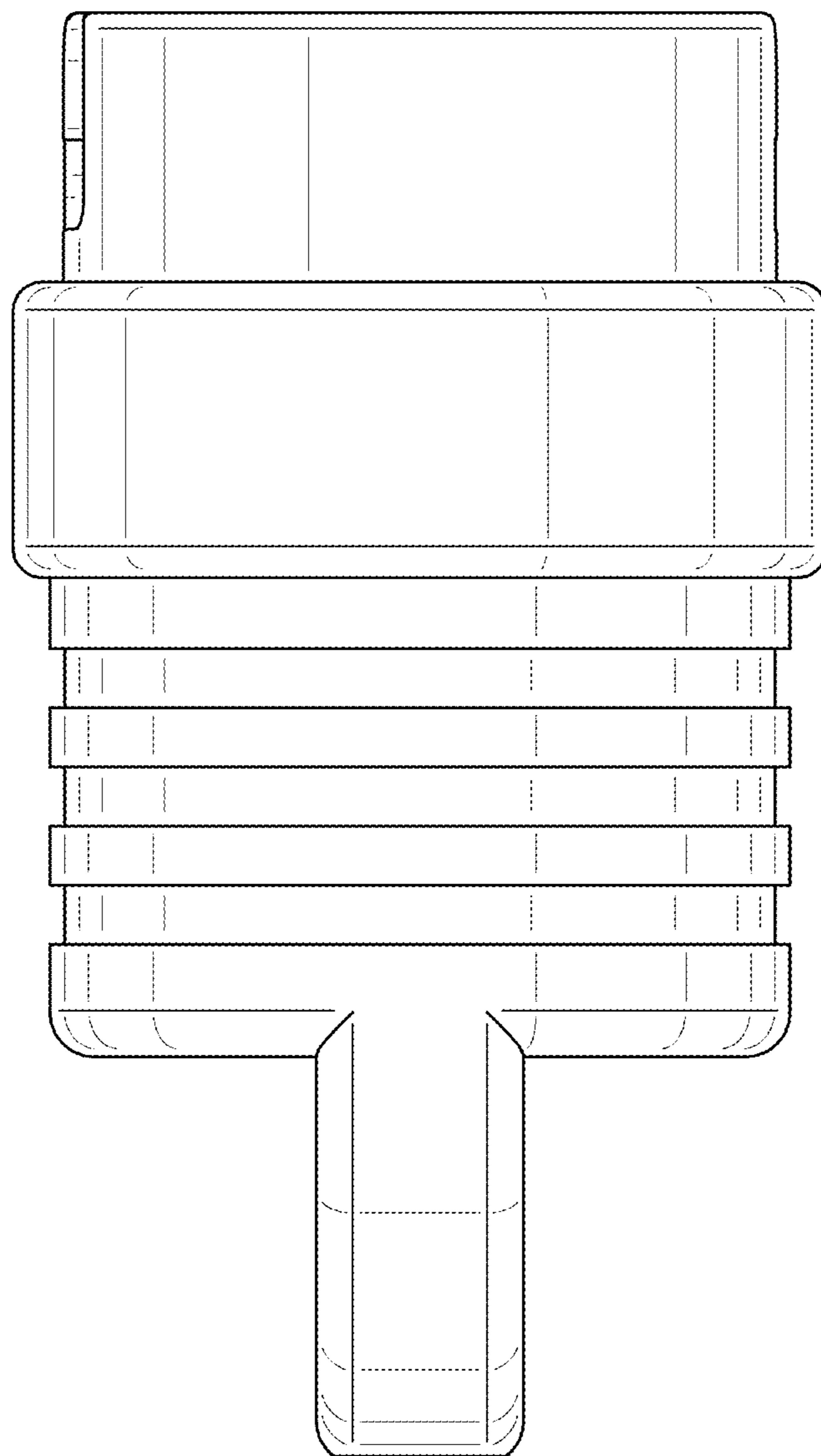


FIG. 6

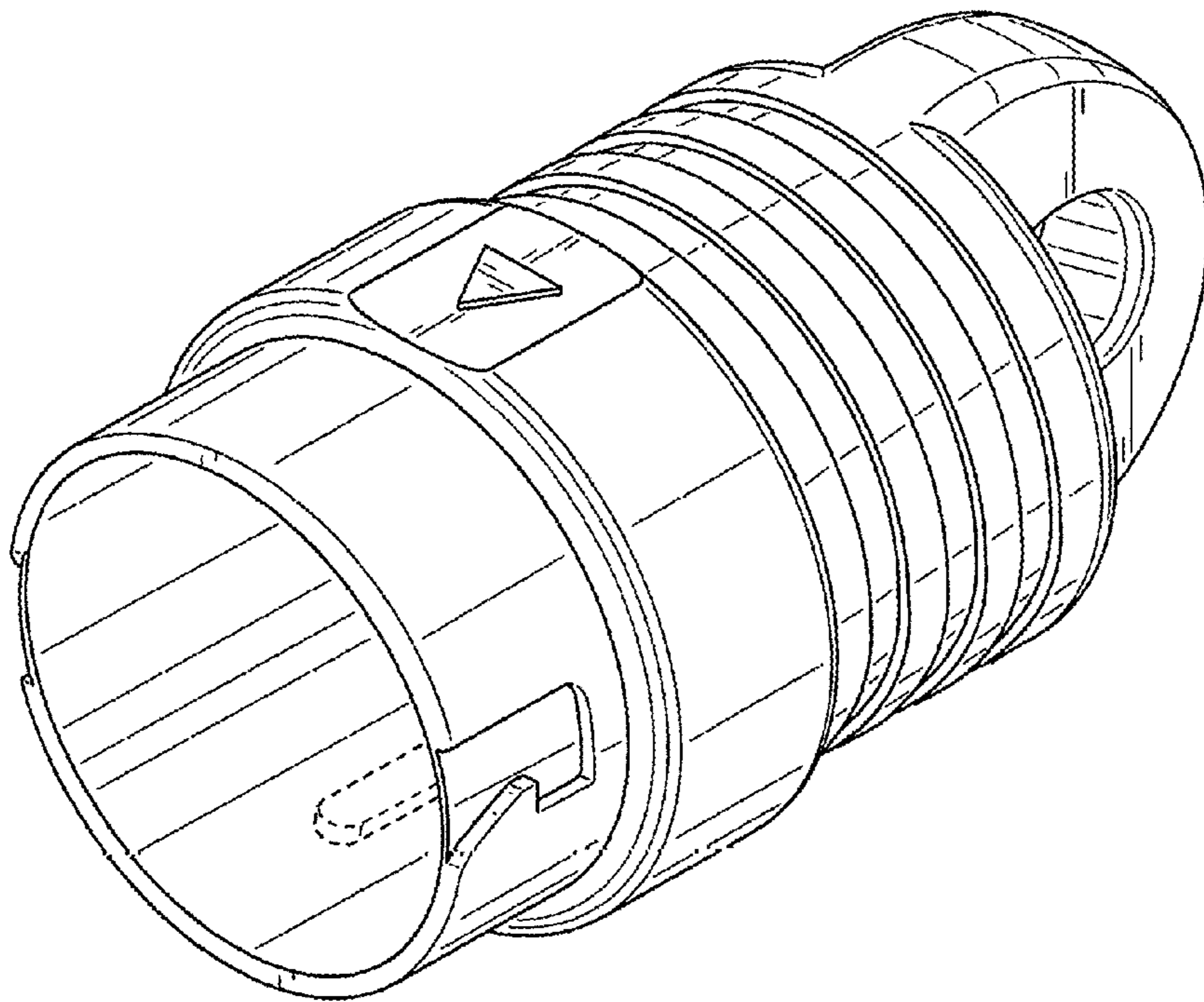


FIG. 7

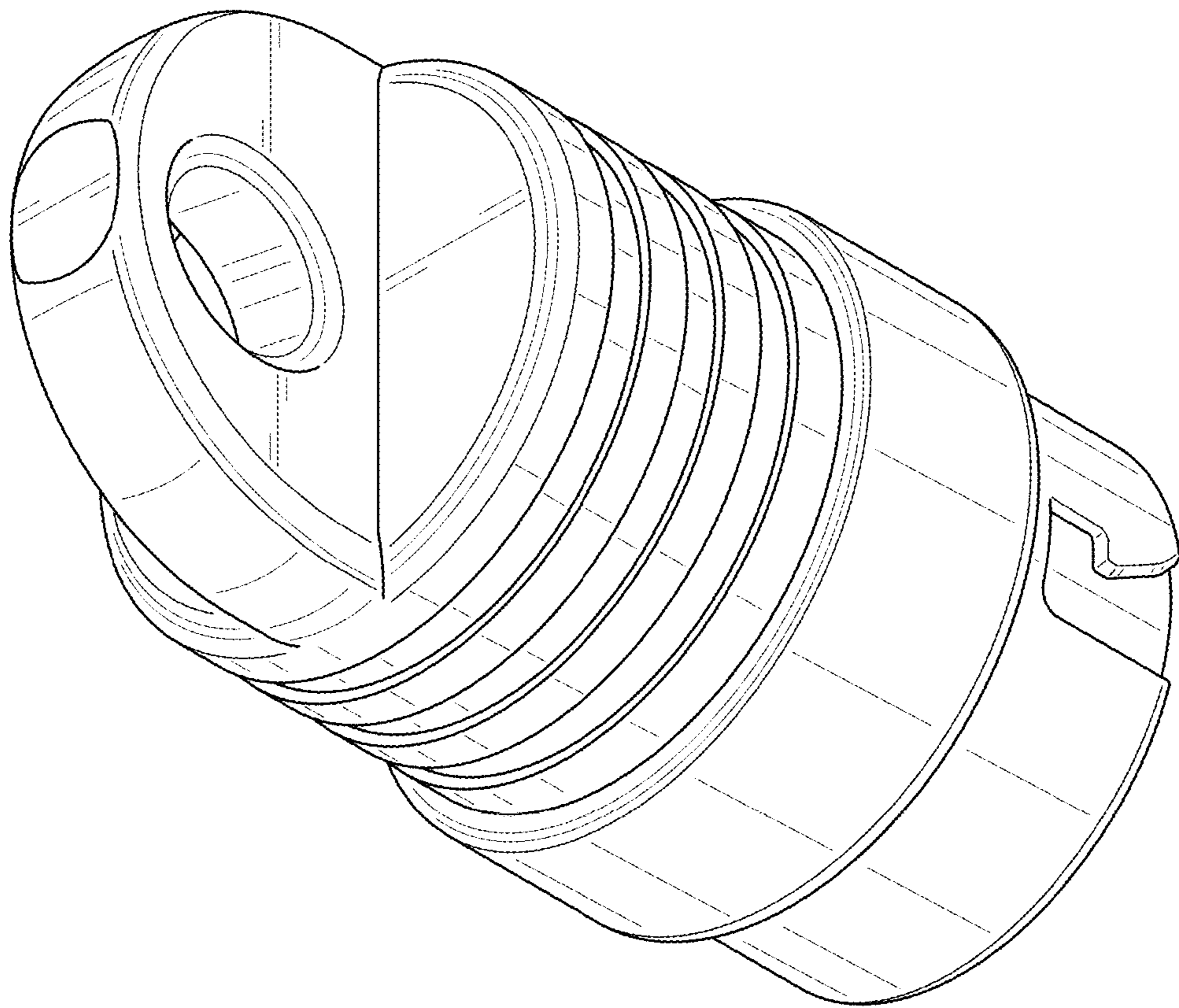


FIG. 8

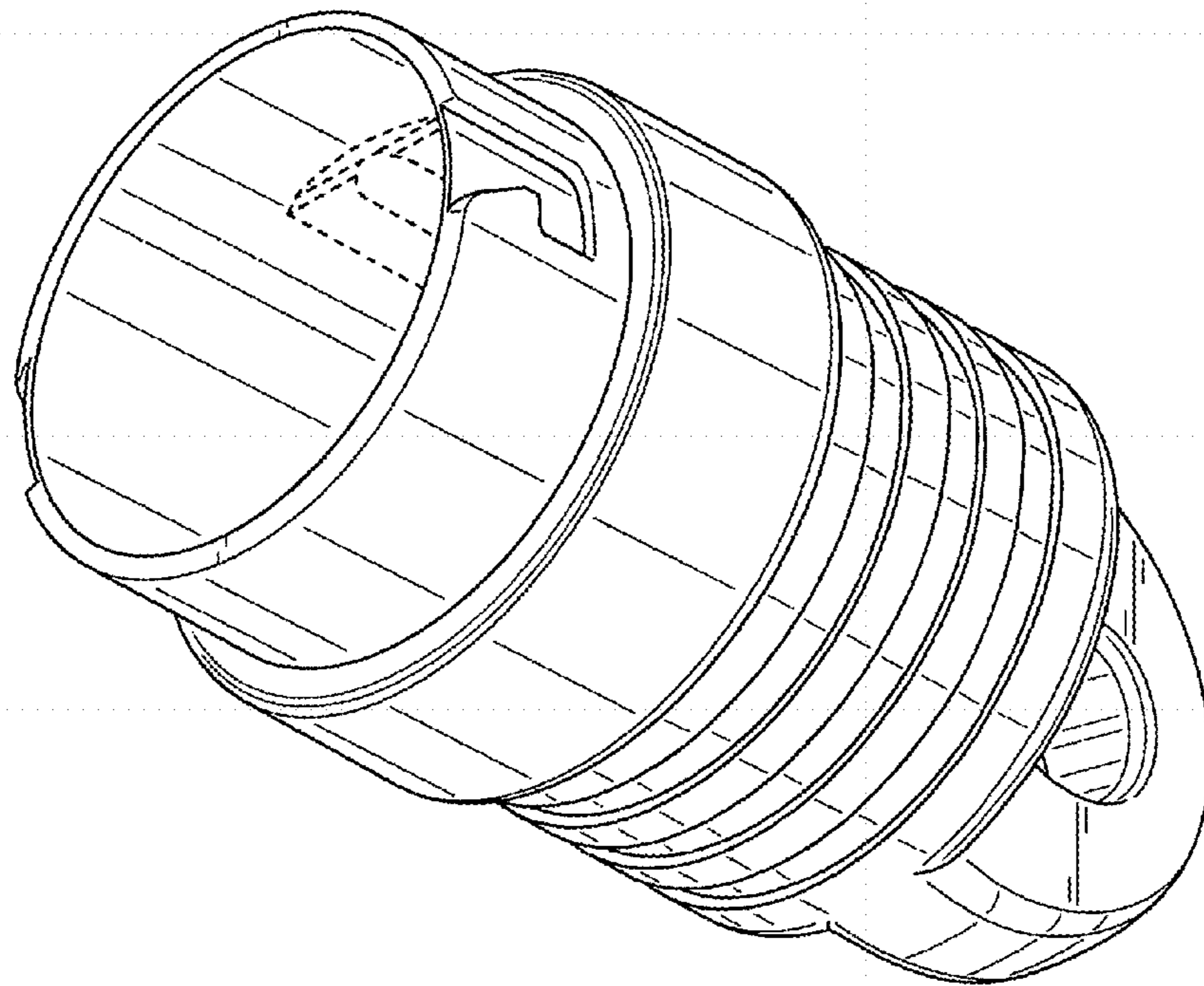


FIG. 9

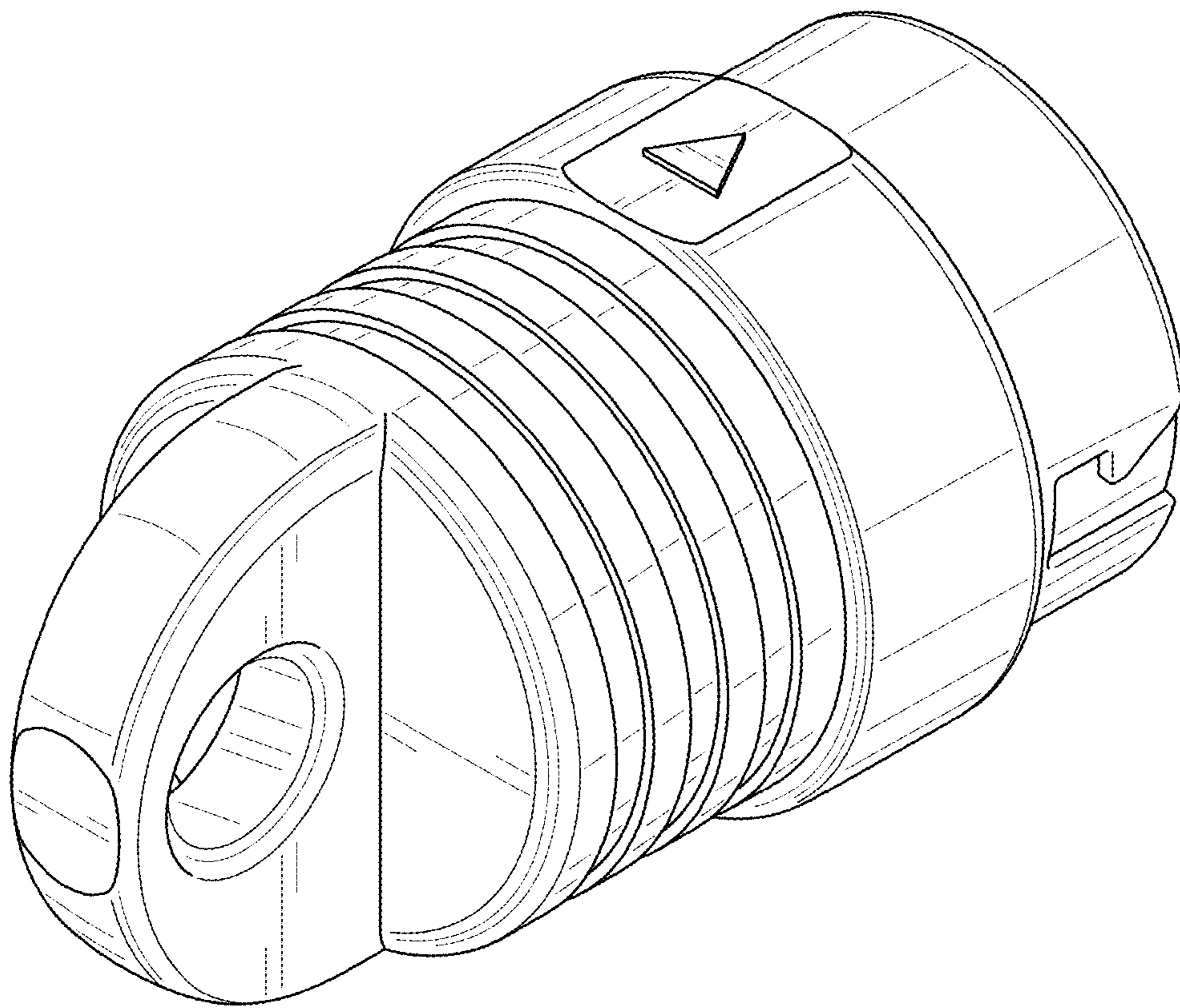


FIG. 10