



US00D769827S

(12) **United States Design Patent** (10) **Patent No.:** **US D769,827 S**
Sasano (45) **Date of Patent:** **** Oct. 25, 2016**

(54) **ELECTRIC CONNECTING TERMINAL**

(71) Applicant: **OMRON Corporation**, Kyoto-shi, Kyoto (JP)

(72) Inventor: **Naoya Sasano**, Hachioji (JP)

(73) Assignee: **OMRON Corporation**, Kyoto (JP)

(**) Term: **15 Years**

(21) Appl. No.: **29/535,846**

(22) Filed: **Aug. 11, 2015**

(30) **Foreign Application Priority Data**

Feb. 13, 2015 (JP) 2015-002905

(51) **LOC (10) Cl.** **13-03**

(52) **U.S. Cl.**
USPC **D13/154**

(58) **Field of Classification Search**
USPC D13/118, 120, 146, 147, 154, 184, 199
CPC H01R 4/48; H01R 13/02; H01R 13/05;
H01R 13/187; H01R 13/2442; H01R 13/432
See application file for complete search history.

(56) **References Cited**

U.S. PATENT DOCUMENTS

5,769,672	A *	6/1998	Flieger	H01R 13/115 439/850
D592,150	S *	5/2009	Ogata	D13/154
D621,368	S *	8/2010	Lee	D13/154
D665,360	S *	8/2012	Gieski	D13/154
D724,543	S *	3/2015	Chen	D13/154
2012/0244756	A1 *	9/2012	Jouas	H01R 13/113 439/660
2015/0111443	A1 *	4/2015	Gutenschwager	...	H01R 13/187 439/884
2015/0303593	A1 *	10/2015	Ono	H01R 12/728 439/850

OTHER PUBLICATIONS

U.S. Appl. No. 29/535,845, filed Aug. 11, 2015 to Sasano.

U.S. Appl. No. 29/535,851, filed Aug. 11, 2015 to Sasano.

* cited by examiner

Primary Examiner — Daniel Bui

(74) *Attorney, Agent, or Firm* — Sterne, Kessler, Goldstein & Fox P.L.L.C.

(57) **CLAIM**

The ornamental design for an electric connecting terminal, as shown and described.

DESCRIPTION

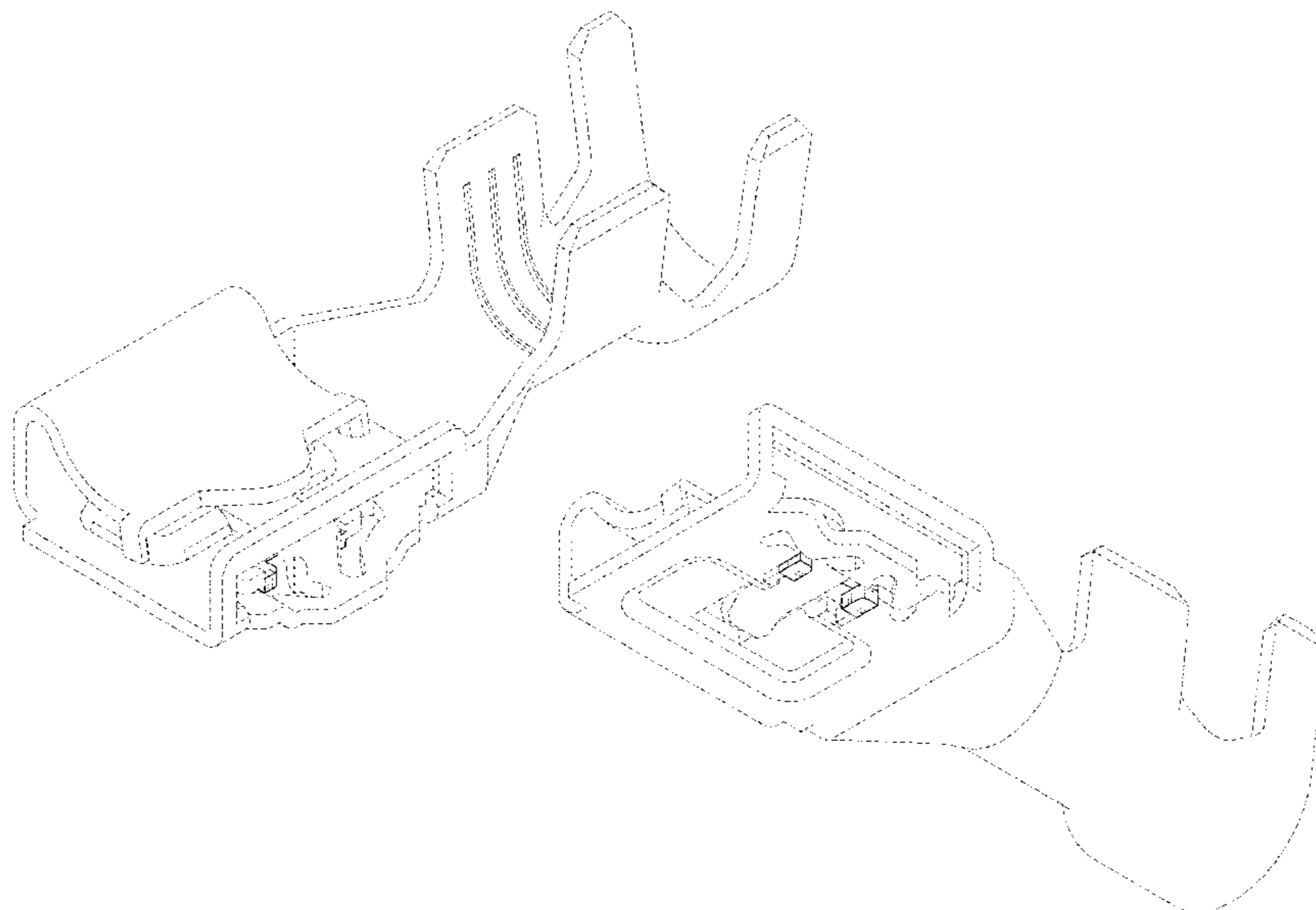
FIG. 1 is a top perspective view of an electric connecting terminal showing my new design; FIG. 2 is a bottom perspective view thereof; FIG. 3 is a front elevational view thereof; FIG. 4 is a rear elevational view thereof; FIG. 5 is a left side view thereof; FIG. 6 is a right side view thereof; FIG. 7 is a top plan view thereof; FIG. 8 is a bottom plan view thereof; and, FIG. 9 is a top perspective cross-sectional view taken along the line IX-IX of FIG. 6.

The dashed broken lines in the figures show portions of the electric connecting terminal that form no part of the claimed design.

The dot-dash broken lines in the figures show boundaries of the claimed design.

The shade lines in the figures show contour and not surface ornamentation.

1 Claim, 6 Drawing Sheets



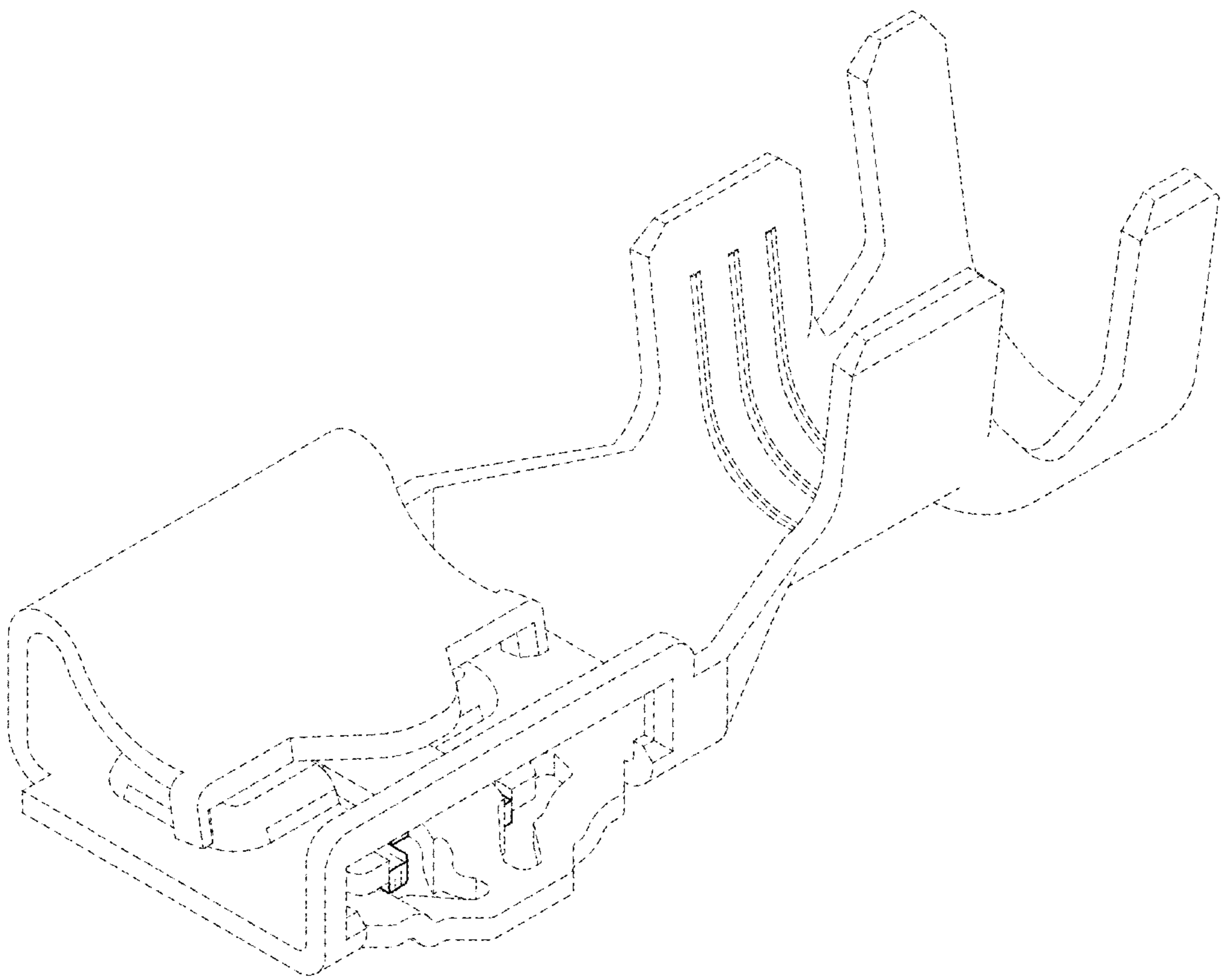


Fig. 1

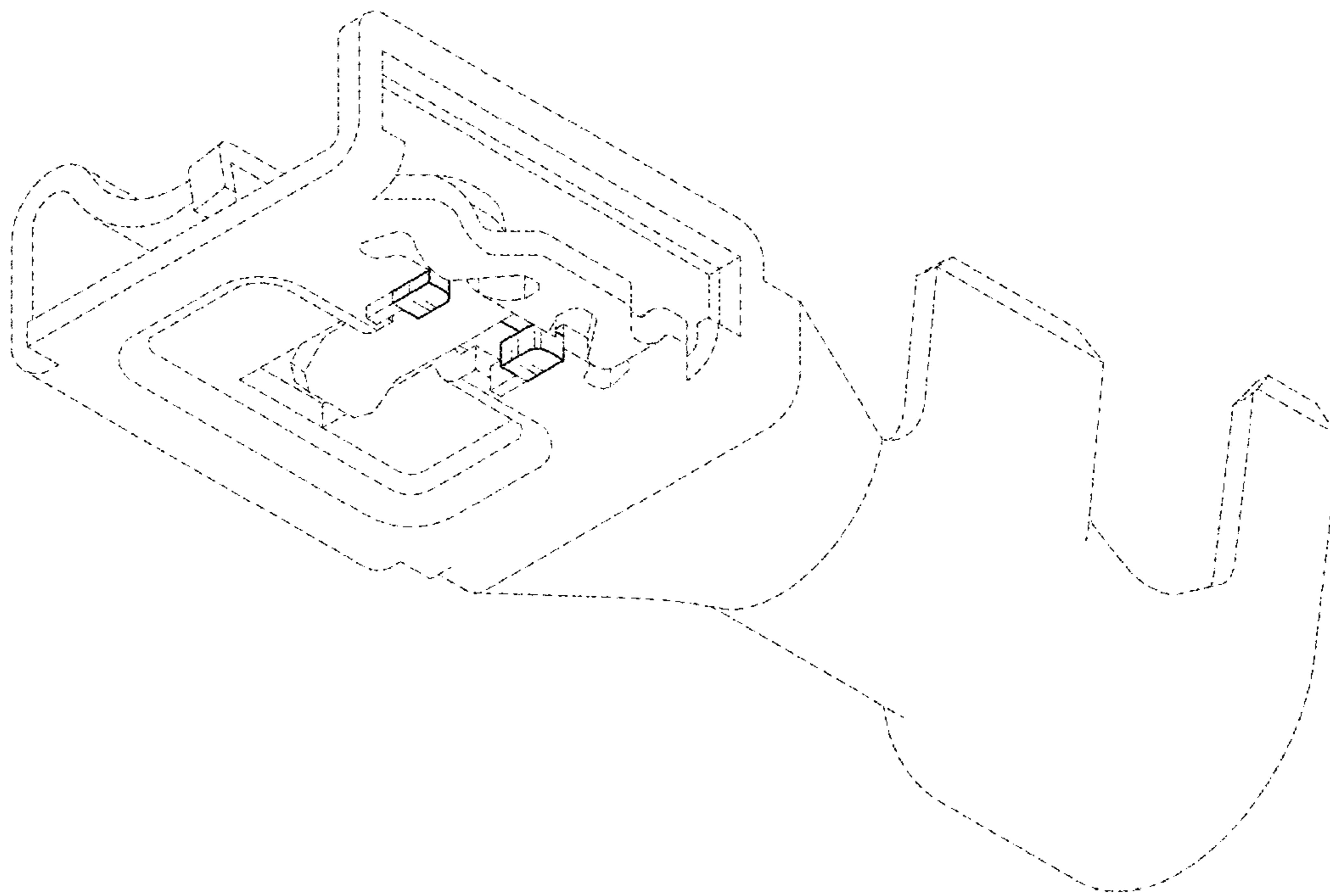


Fig. 2

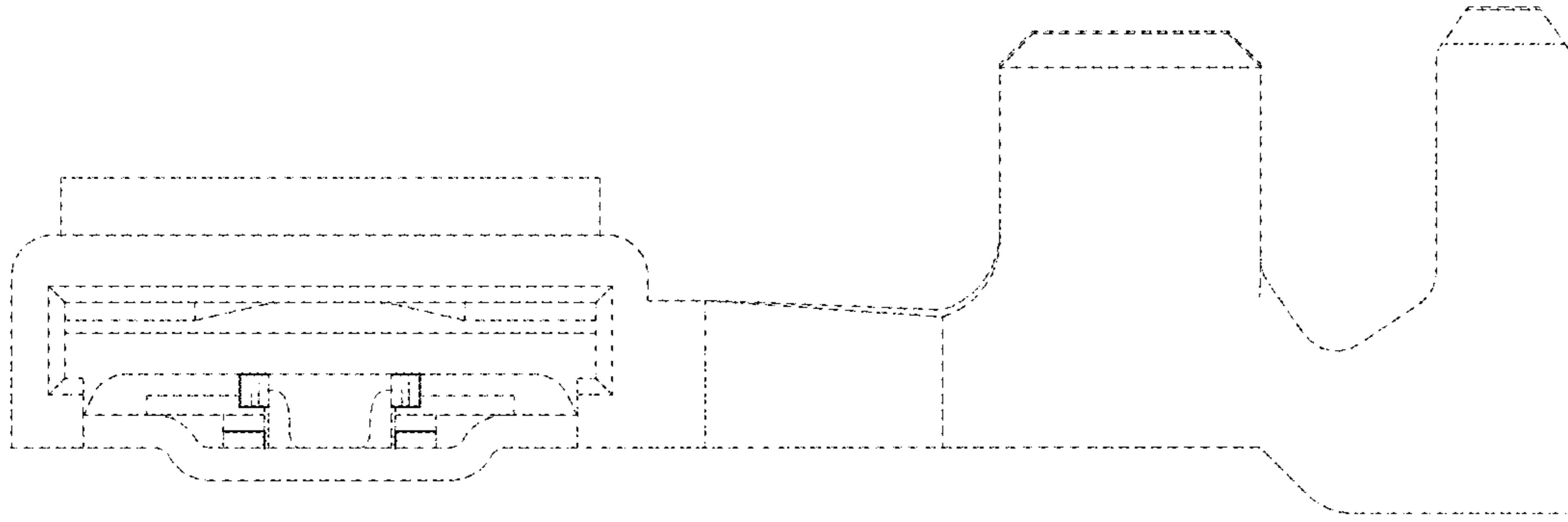


Fig. 3

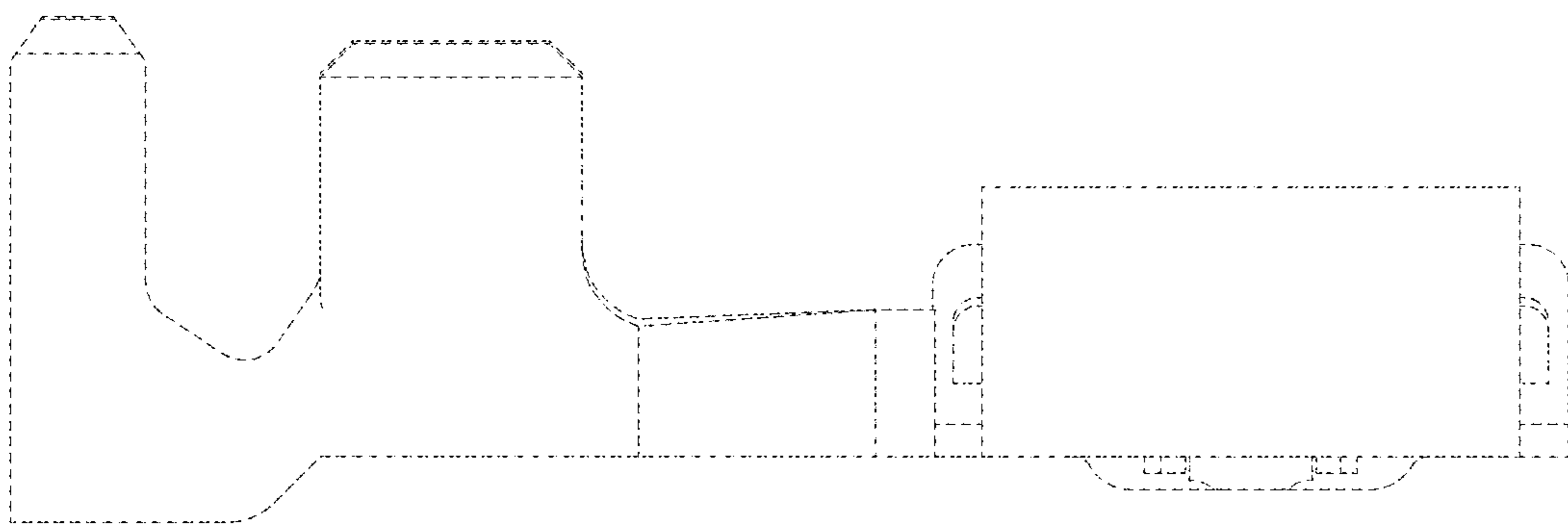


Fig. 4

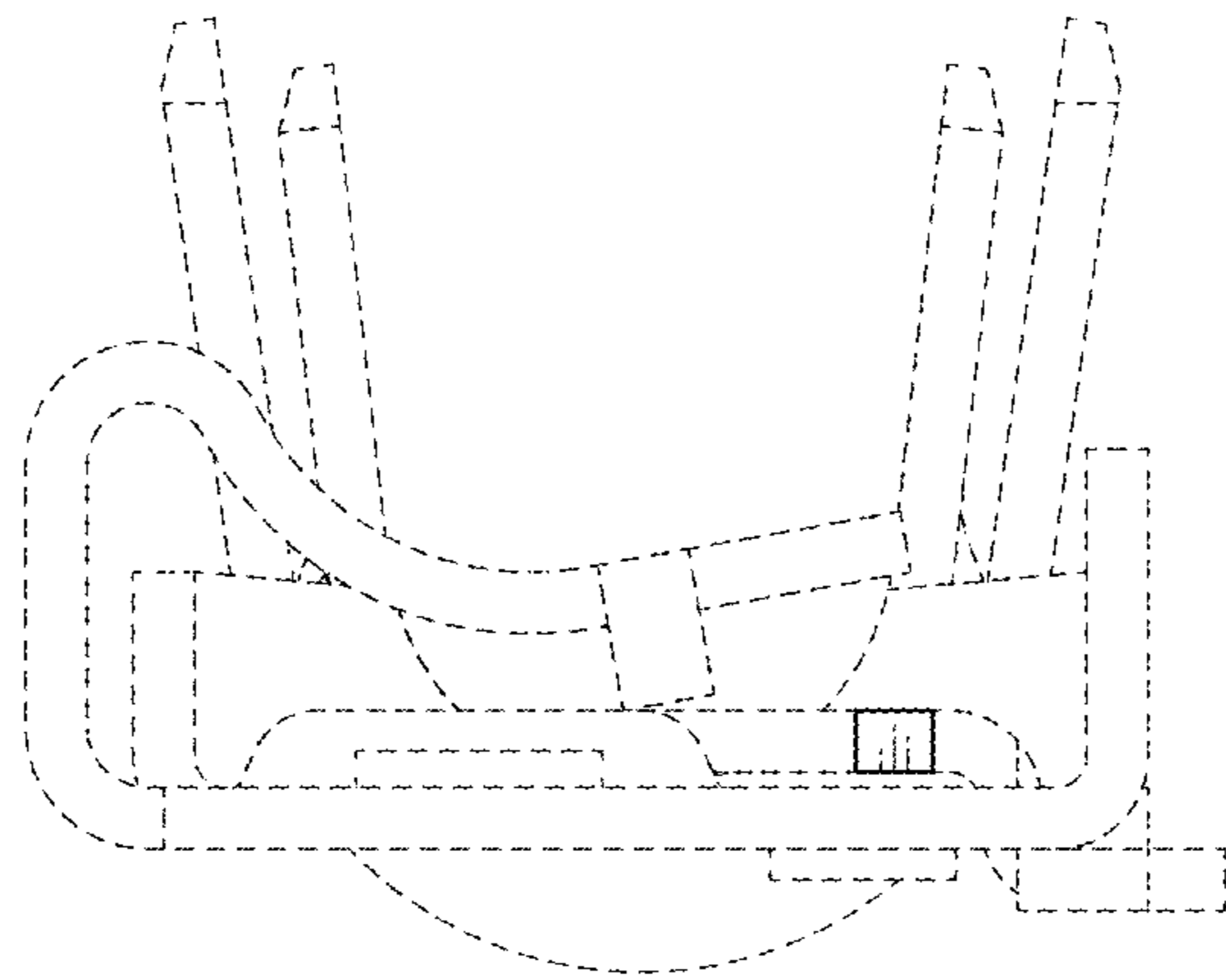


Fig. 5

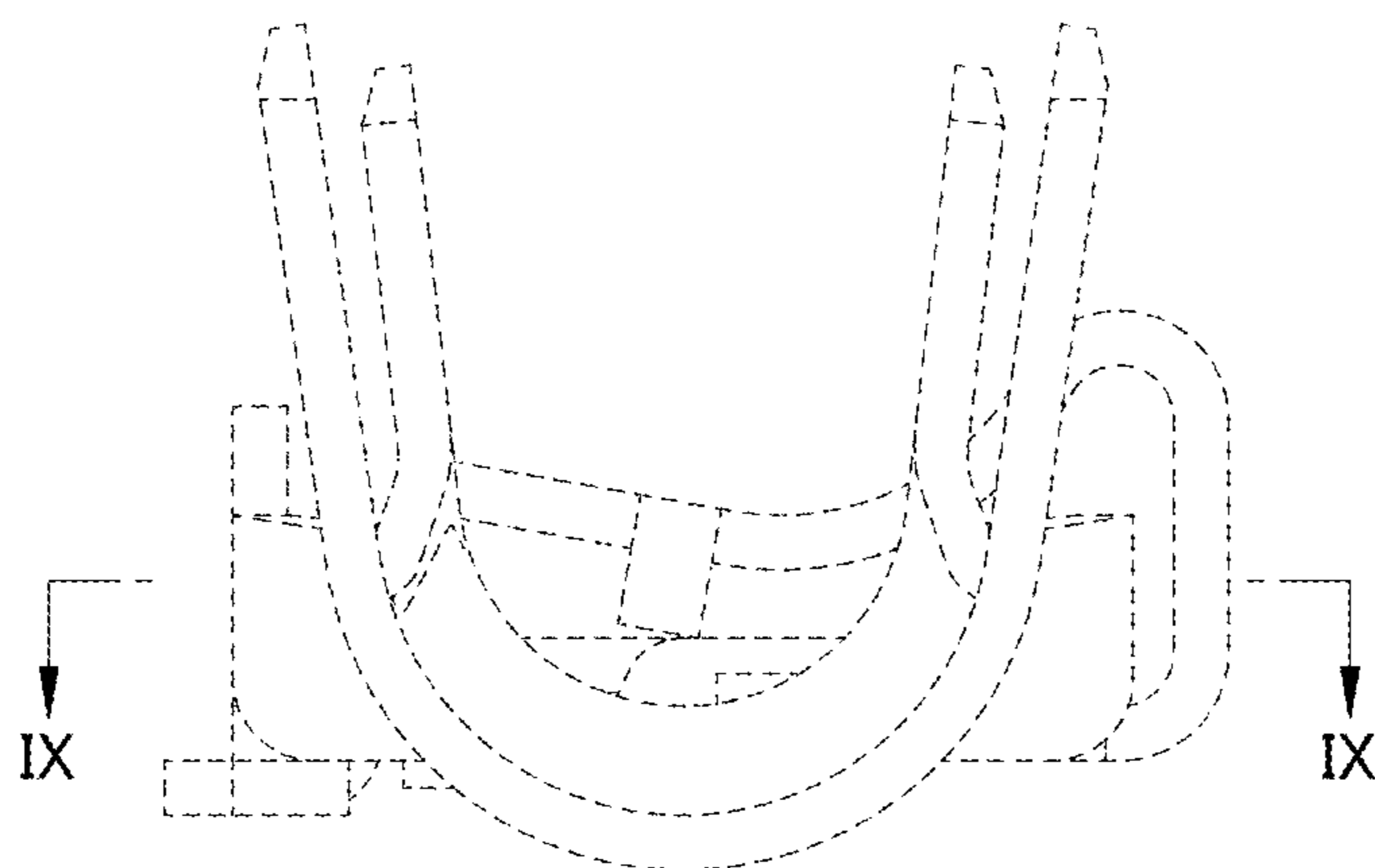


Fig. 6

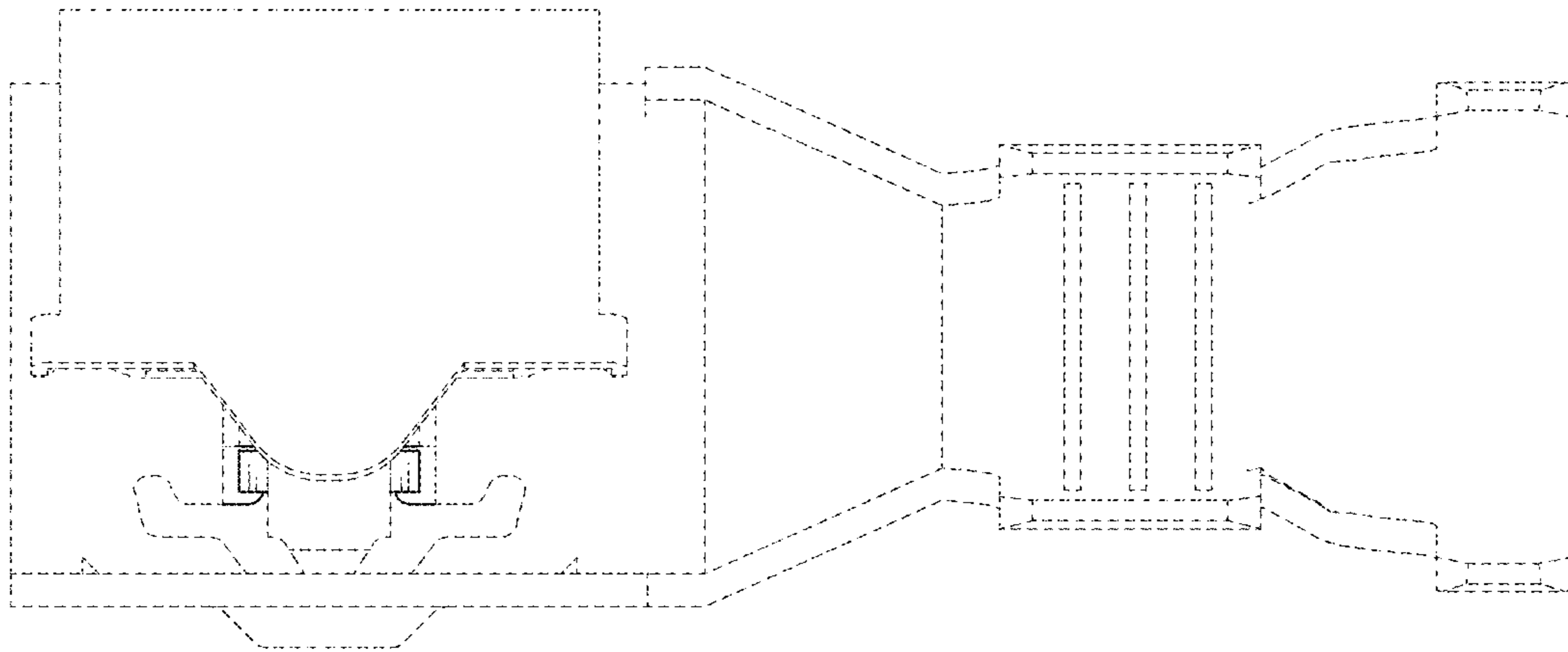


Fig. 7

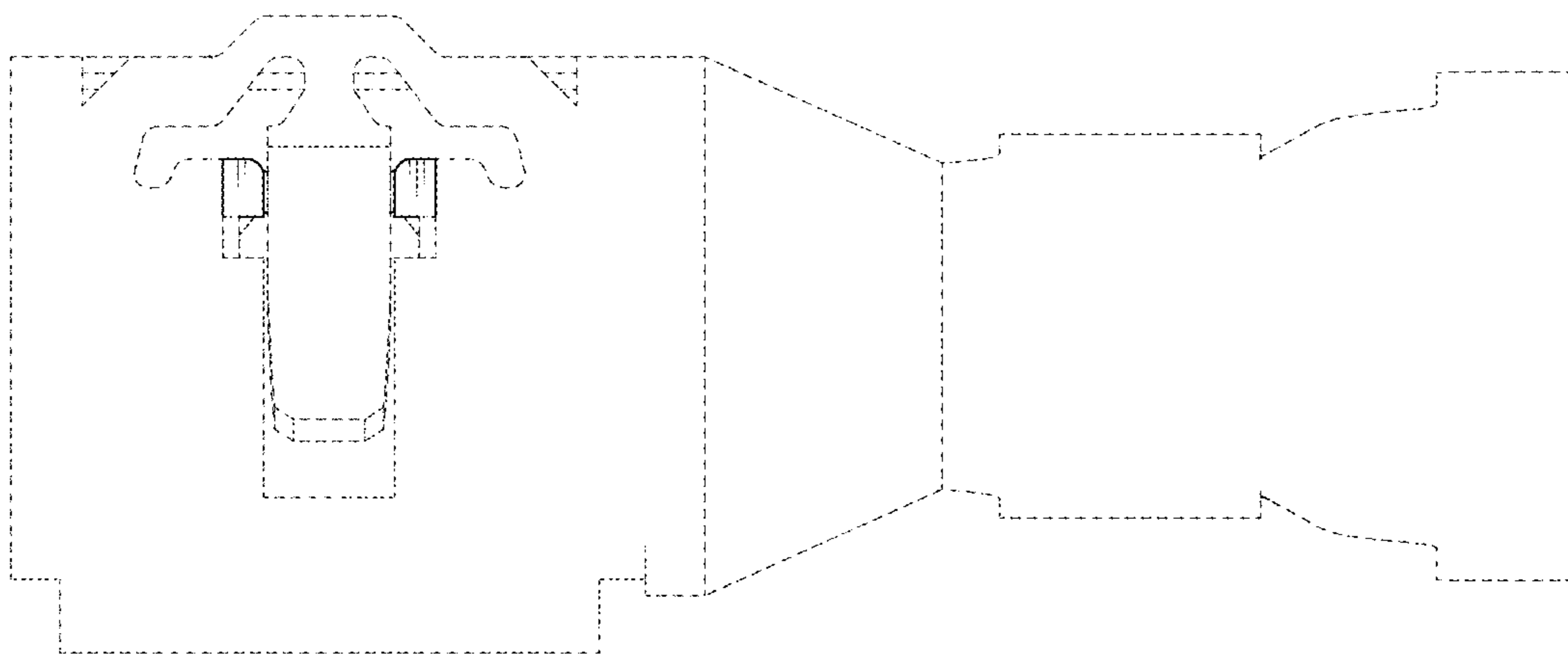


Fig. 8

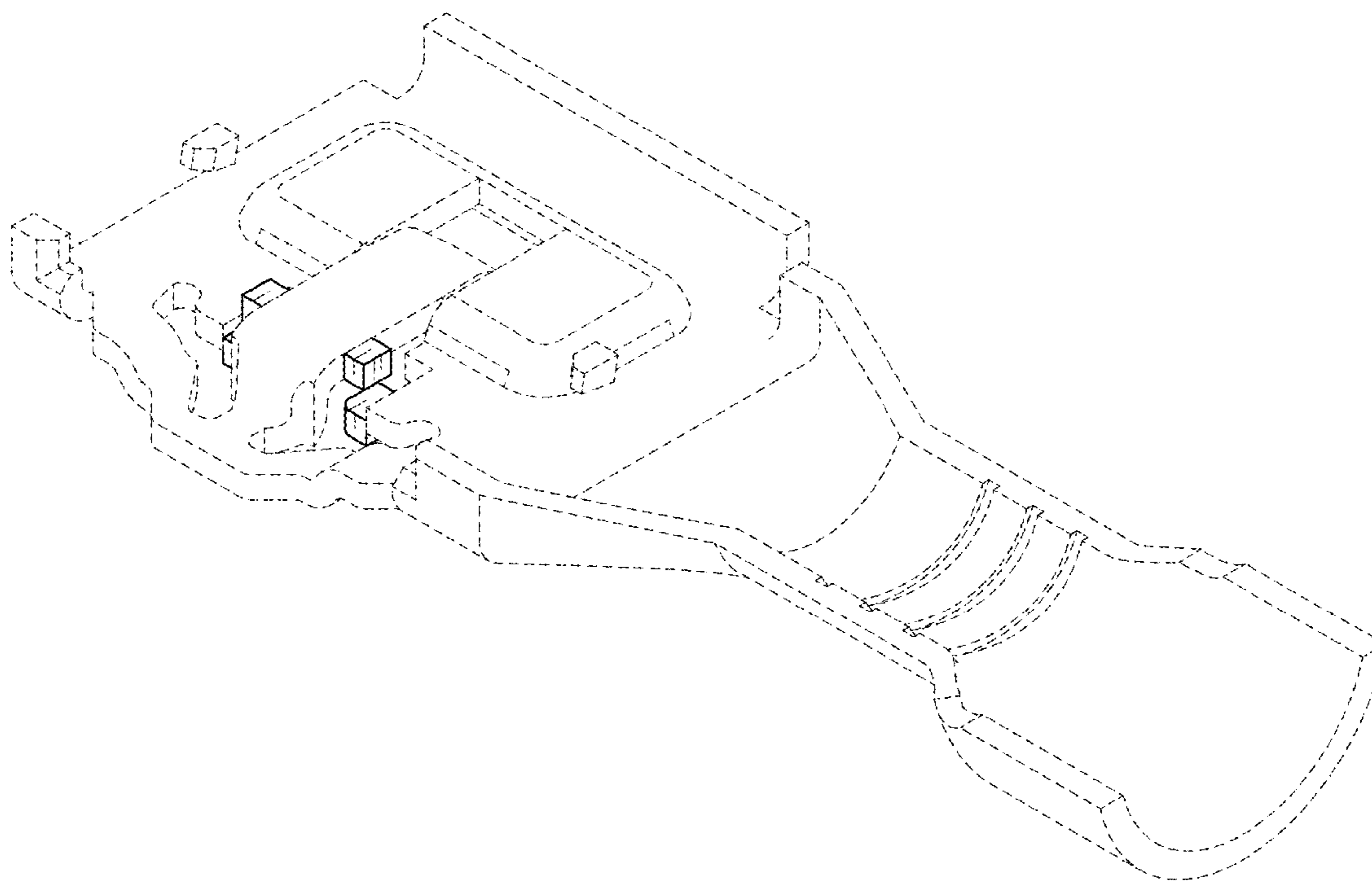


Fig. 9