



US00D769825S

(12) **United States Design Patent**  
**Ozeki**

(10) **Patent No.:** **US D769,825 S**  
(45) **Date of Patent:** **\*\* Oct. 25, 2016**

(54) **ELECTRICAL CONNECTOR**

(71) Applicant: **DAI-ICHI SEIKO CO., LTD.**,  
Kyoto-shi (JP)

(72) Inventor: **Kosuke Ozeki**, Ogori (JP)

(73) Assignee: **DAI-ICHI SEIKO CO., LTD.**,  
Kyoto-shi (JP)

(\*\*) Term: **15 Years**

(21) Appl. No.: **29/547,358**

(22) Filed: **Dec. 3, 2015**

(30) **Foreign Application Priority Data**

Jun. 4, 2015 (JP) ..... 2015-012413

(51) **LOC (10) Cl.** ..... **13-03**

(52) **U.S. Cl.**  
USPC ..... **D13/147**

(58) **Field of Classification Search**

USPC ..... D13/147, 154, 184, 199  
CPC ... H01R 12/51; H01R 12/52; H01R 12/592;  
H01R 12/61; H01R 12/70; H01R 12/7005;  
H01R 12/71; H01R 12/72; H01R 12/73;  
H01R 12/732; H01R 12/737; H01R 12/77;  
H01R 12/774; H01R 12/777; H01R 12/778;  
H01R 12/79; H01R 13/516

See application file for complete search history.

(56) **References Cited**

**U.S. PATENT DOCUMENTS**

D501,183 S \* 1/2005 Yamane ..... D13/147  
D600,209 S \* 9/2009 Matoba ..... D13/147  
D600,647 S \* 9/2009 Hemmi ..... D13/147  
D600,648 S \* 9/2009 Hemmi ..... D13/147  
D630,584 S \* 1/2011 Hirayama ..... D13/147  
D661,653 S \* 6/2012 Nakajima ..... D13/147

**FOREIGN PATENT DOCUMENTS**

JP D1180010 7/2003  
JP D1180302 7/2003  
JP D1233430 3/2005  
JP D1234772 4/2005  
JP D1247205 8/2005  
JP D1290949 1/2007  
JP D1354371 3/2009

(Continued)

*Primary Examiner* — Daniel Bui

(74) *Attorney, Agent, or Firm* — Oblon, McClelland,  
Maier & Neustadt, L.L.P.

(57) **CLAIM**

I claim the ornamental design for an electrical connector, as shown and described.

**DESCRIPTION**

FIG. 1 is a top plan view of an electrical connector showing my new design;

FIG. 2 is a front elevational view thereof;

FIG. 3 is a rear elevational view thereof;

FIG. 4 is a bottom plan view thereof;

FIG. 5 is a right side elevational view thereof;

FIG. 6 is a cross sectional view thereof, taken along line 6-6 in FIG. 1;

FIG. 7 is a cross sectional view thereof, taken along line 7-7 in FIG. 1;

FIG. 8 is a rear, top, and right side perspective view thereof;

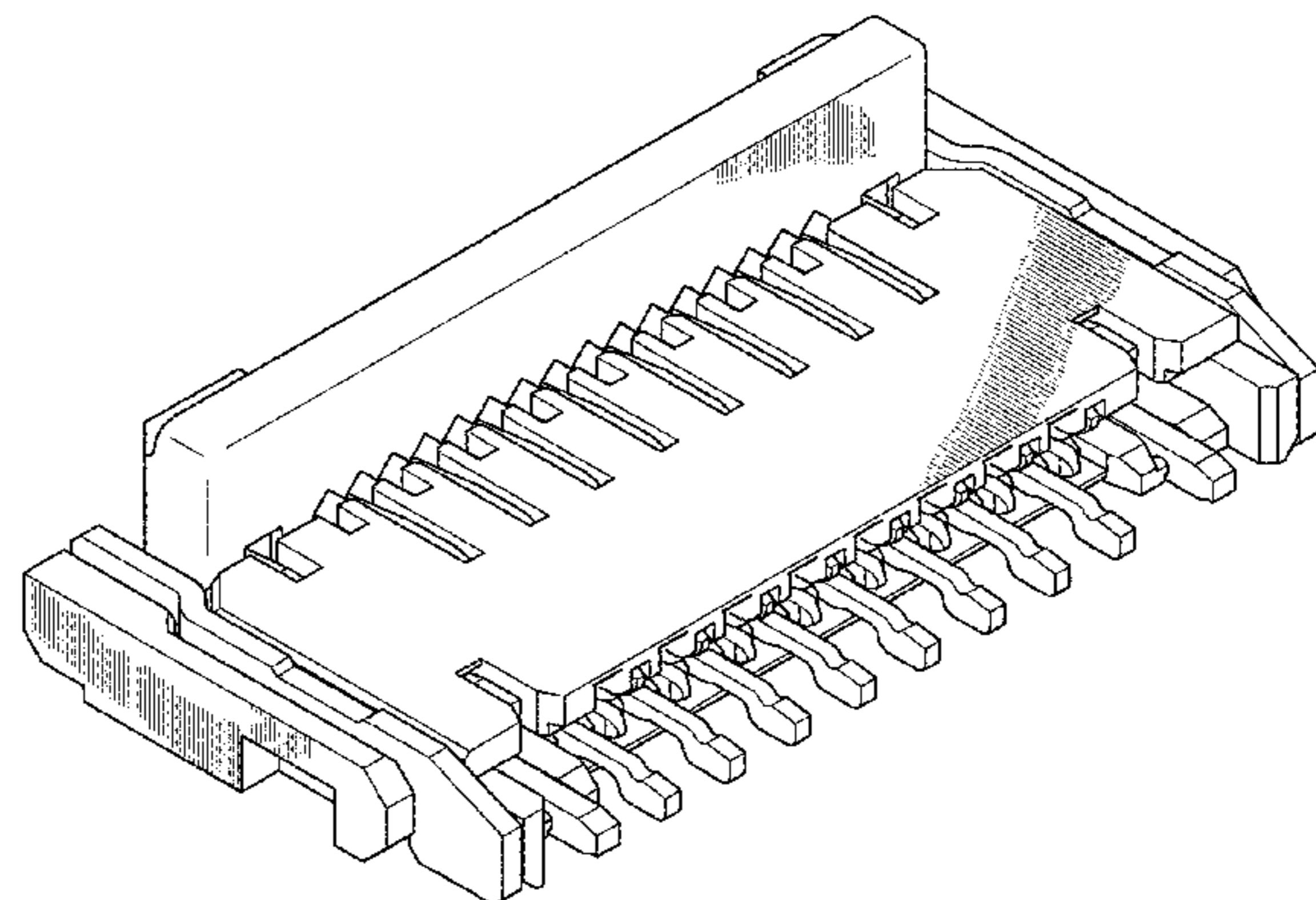
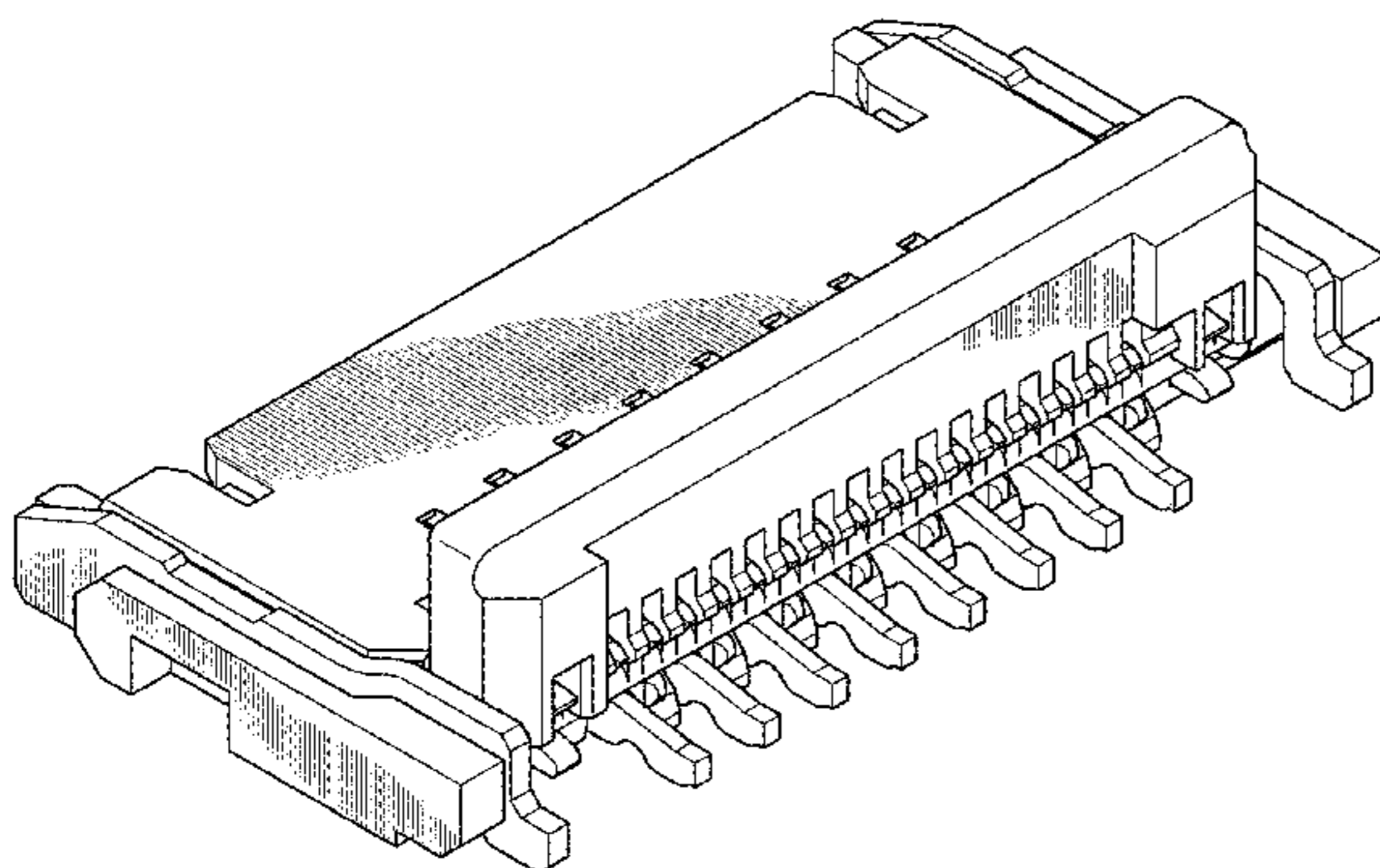
FIG. 9 is a front, top, and left side perspective view thereof; and,

FIG. 10 is a front, top, and left side perspective view thereof, in use condition.

Herein, the left side elevational view is a mirror image of the right side elevational view.

Also, the broken line in the figure drawing views is included for the purpose of illustrating environment and forms no part of the claimed design.

**1 Claim, 10 Drawing Sheets**



(56)

**References Cited**

FOREIGN PATENT DOCUMENTS

JP D1370233 10/2009  
JP D1372700 11/2009  
JP D1374104 11/2009

JP D1407135 2/2011  
JP D1448915 8/2012  
JP D1450385 9/2012  
JP D1450852 9/2012  
JP D1451834 9/2012  
JP D1452935 10/2012

\* cited by examiner

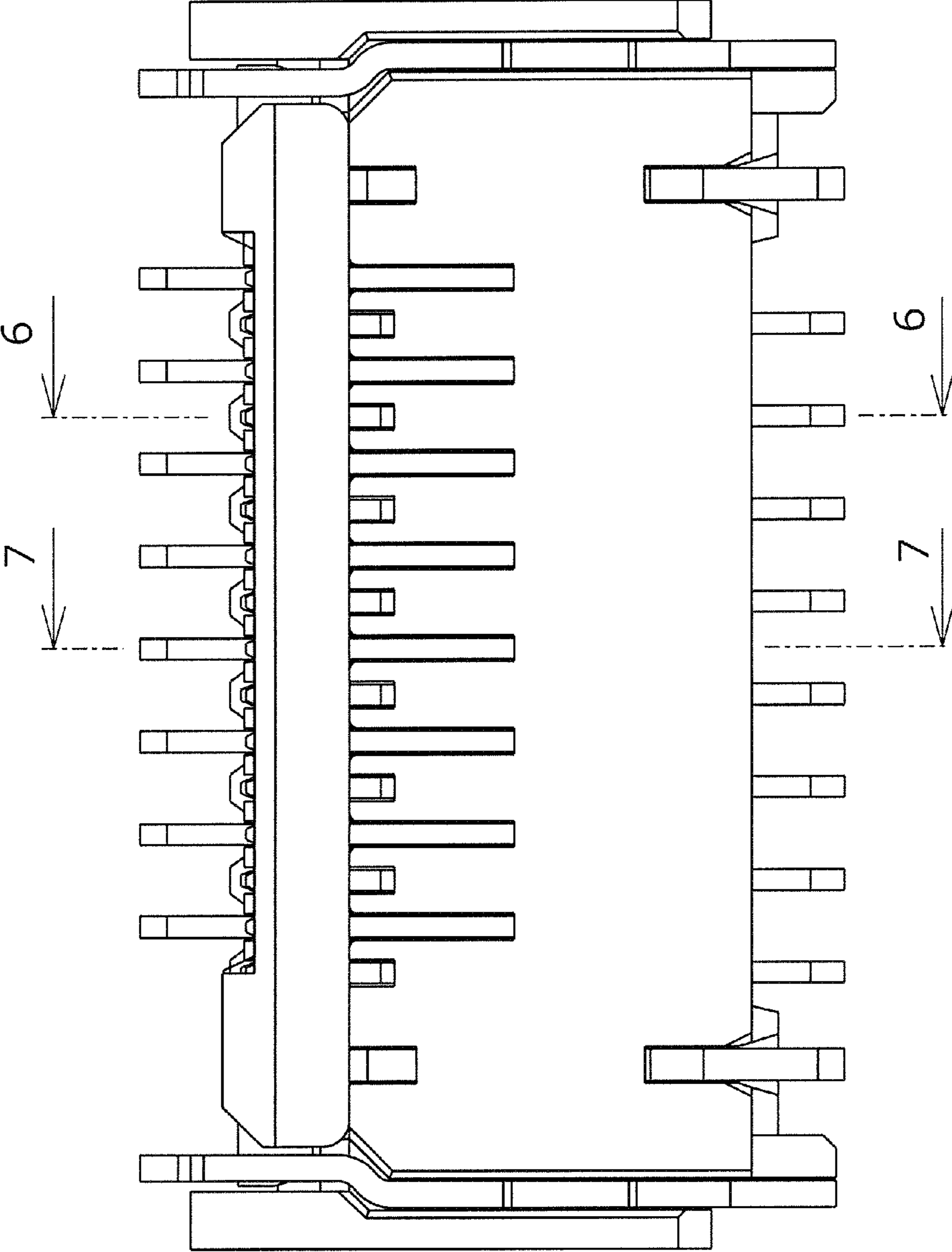
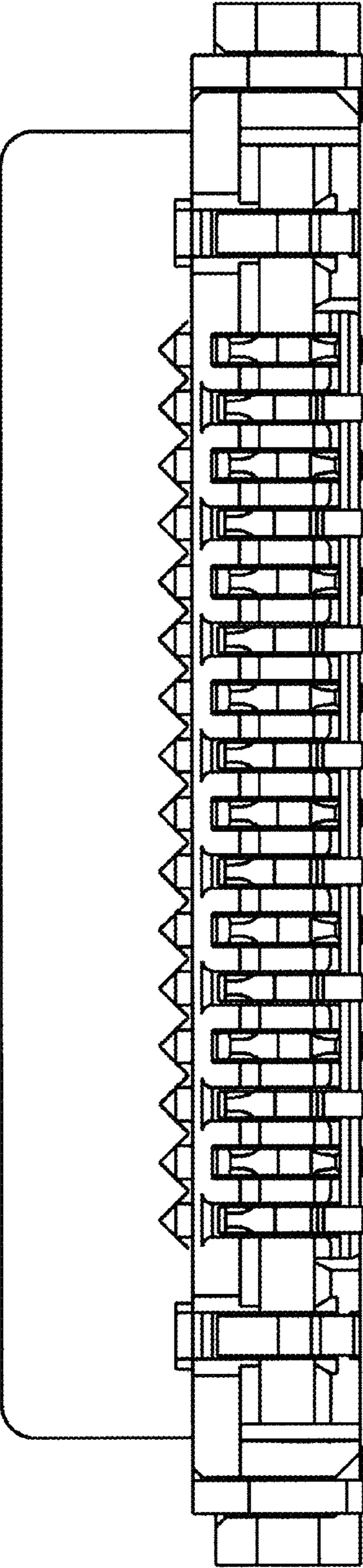


Fig.1

Fig. 2



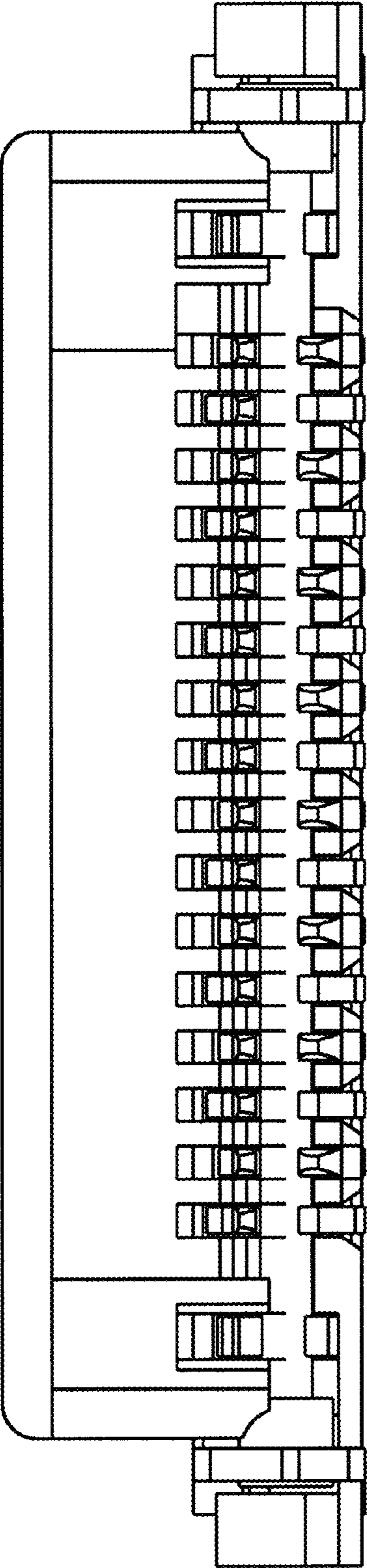


Fig. 3

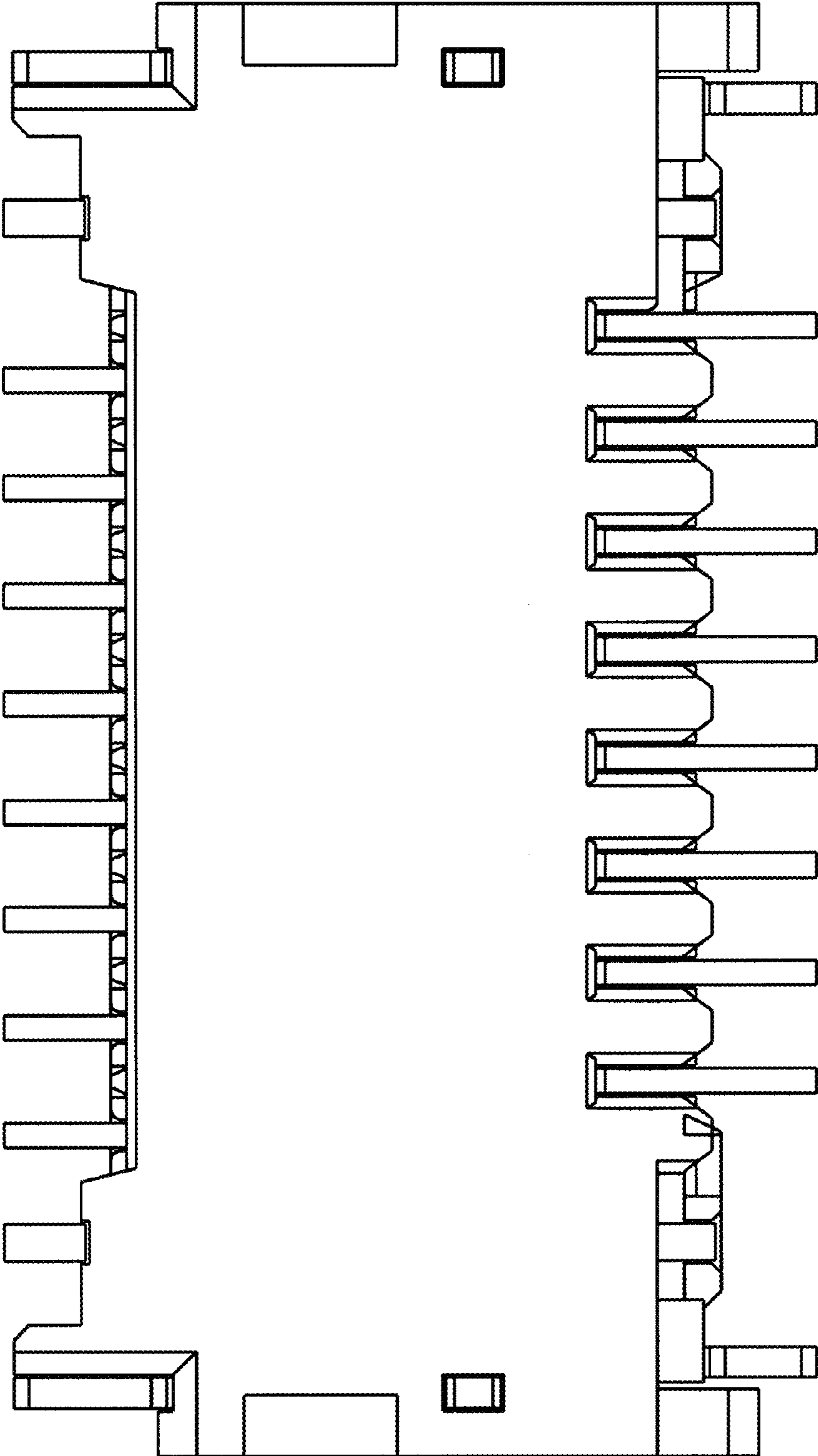


Fig.4

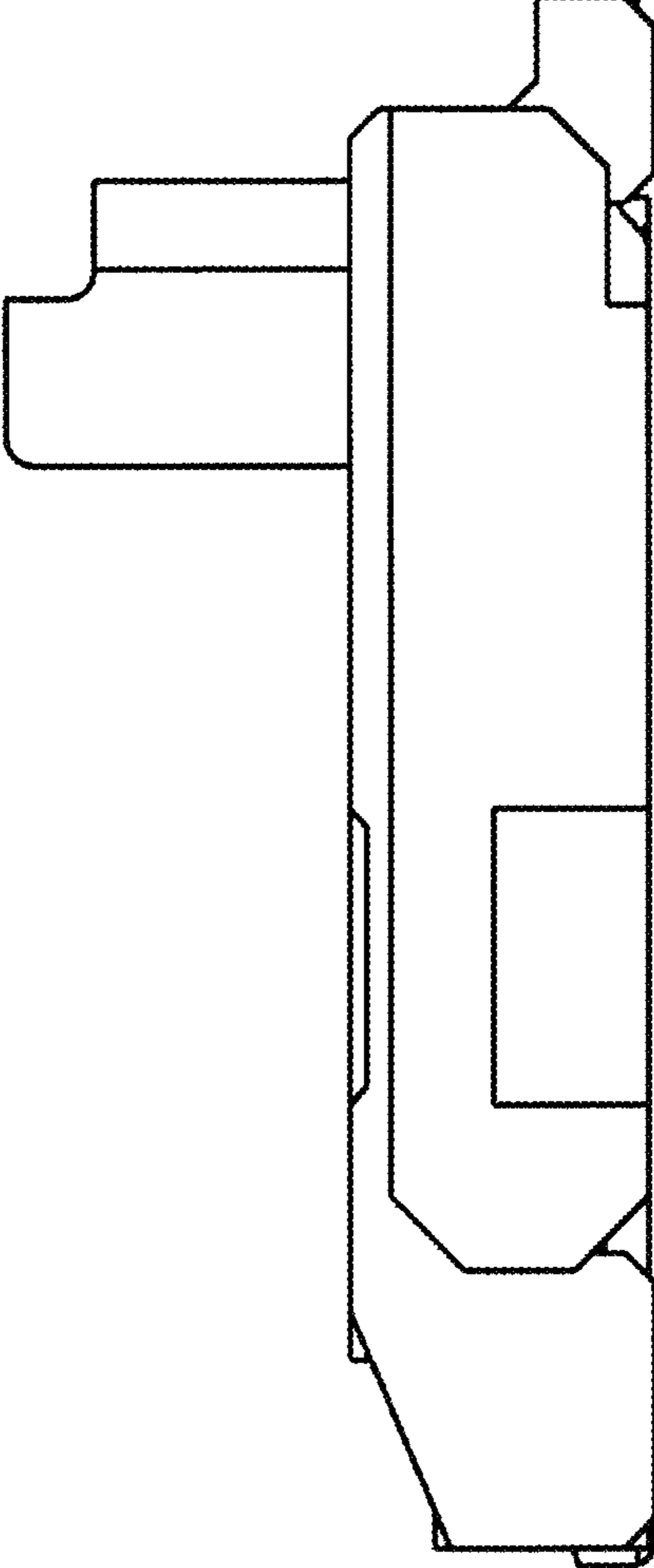


Fig. 5

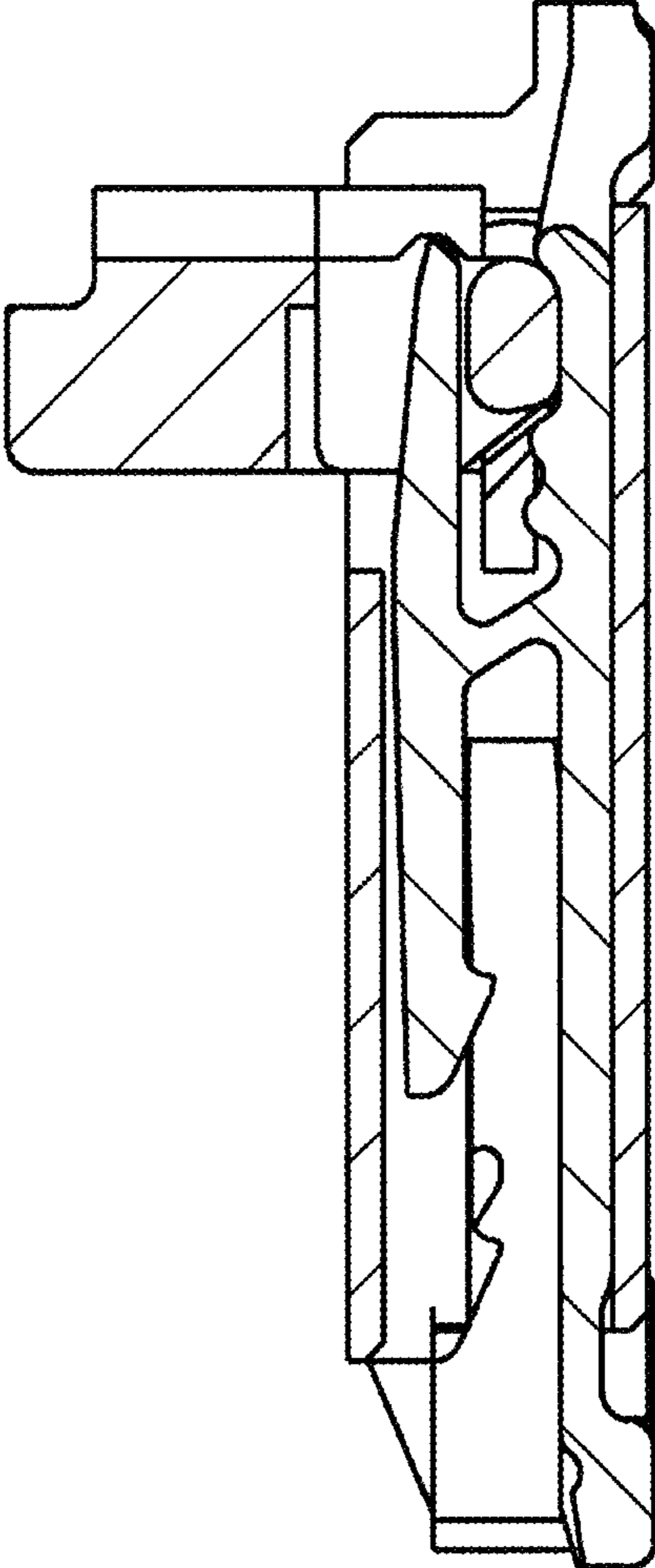


Fig. 6



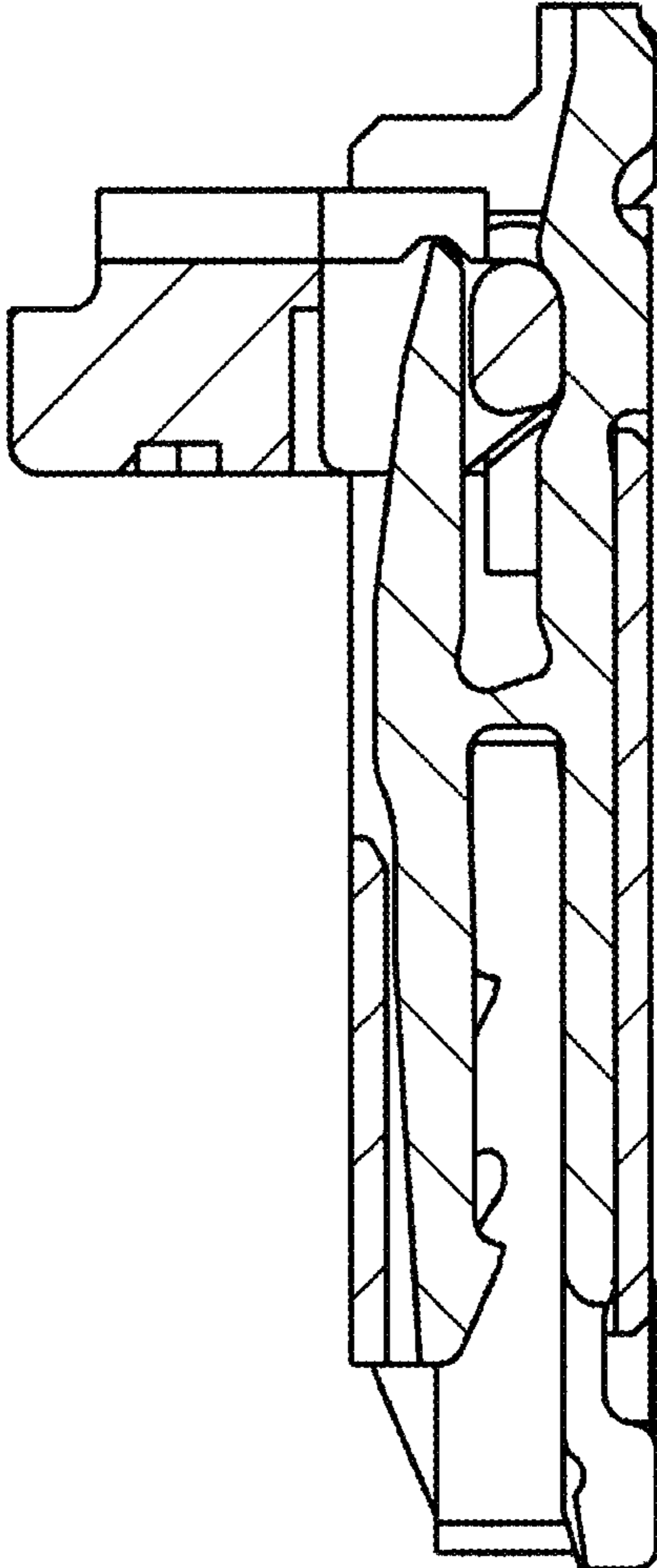


Fig.7

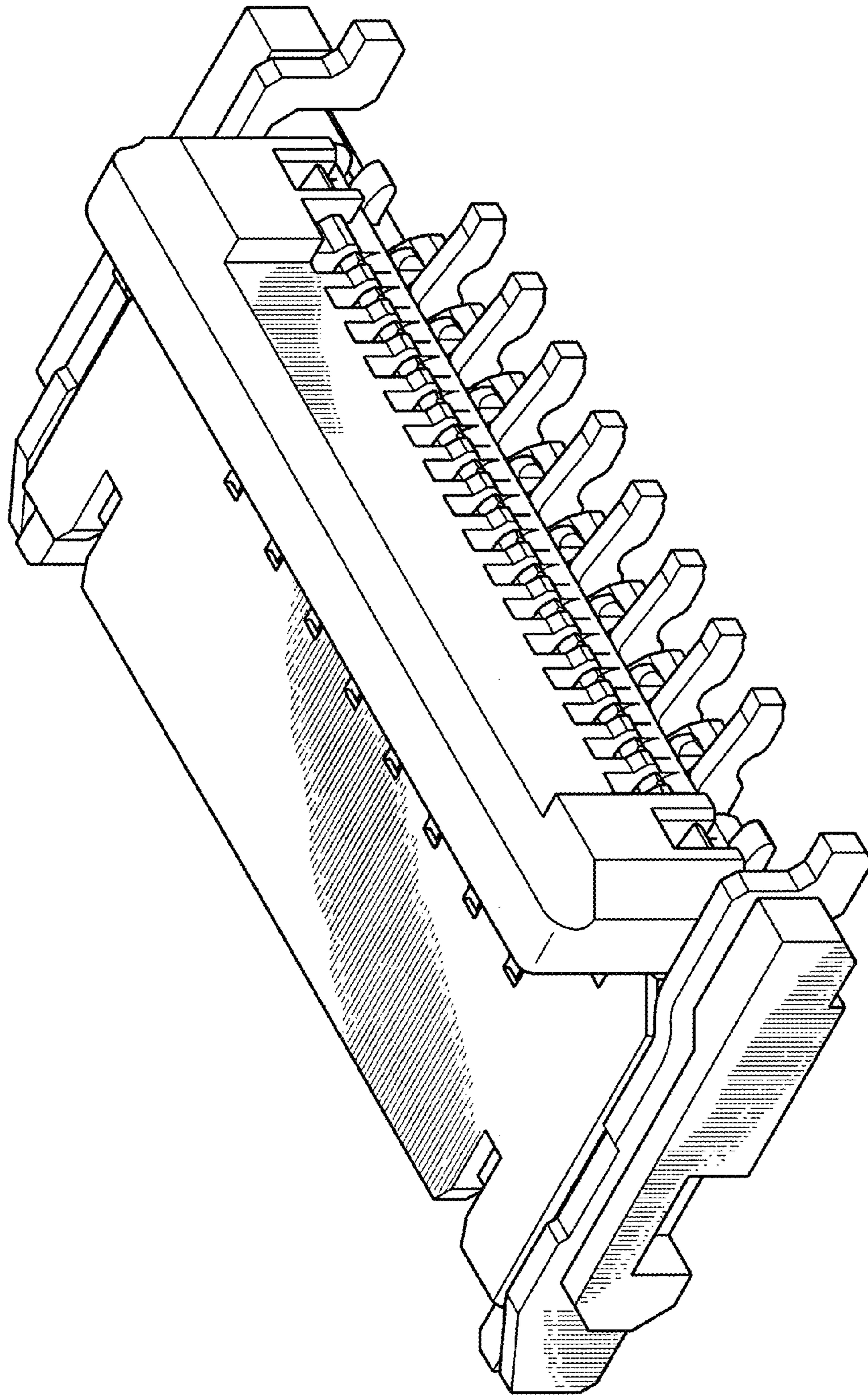


Fig. 8

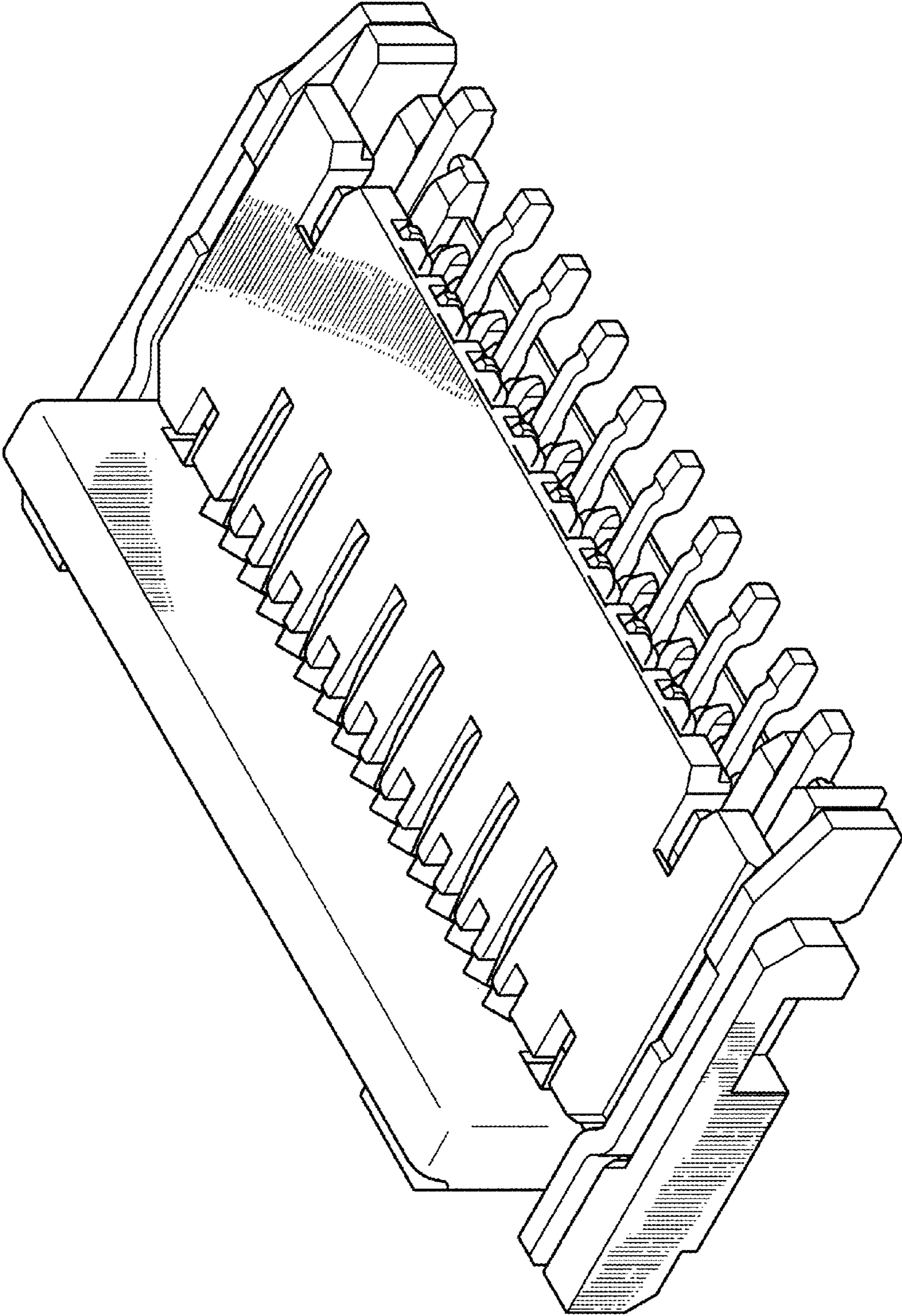


Fig.9

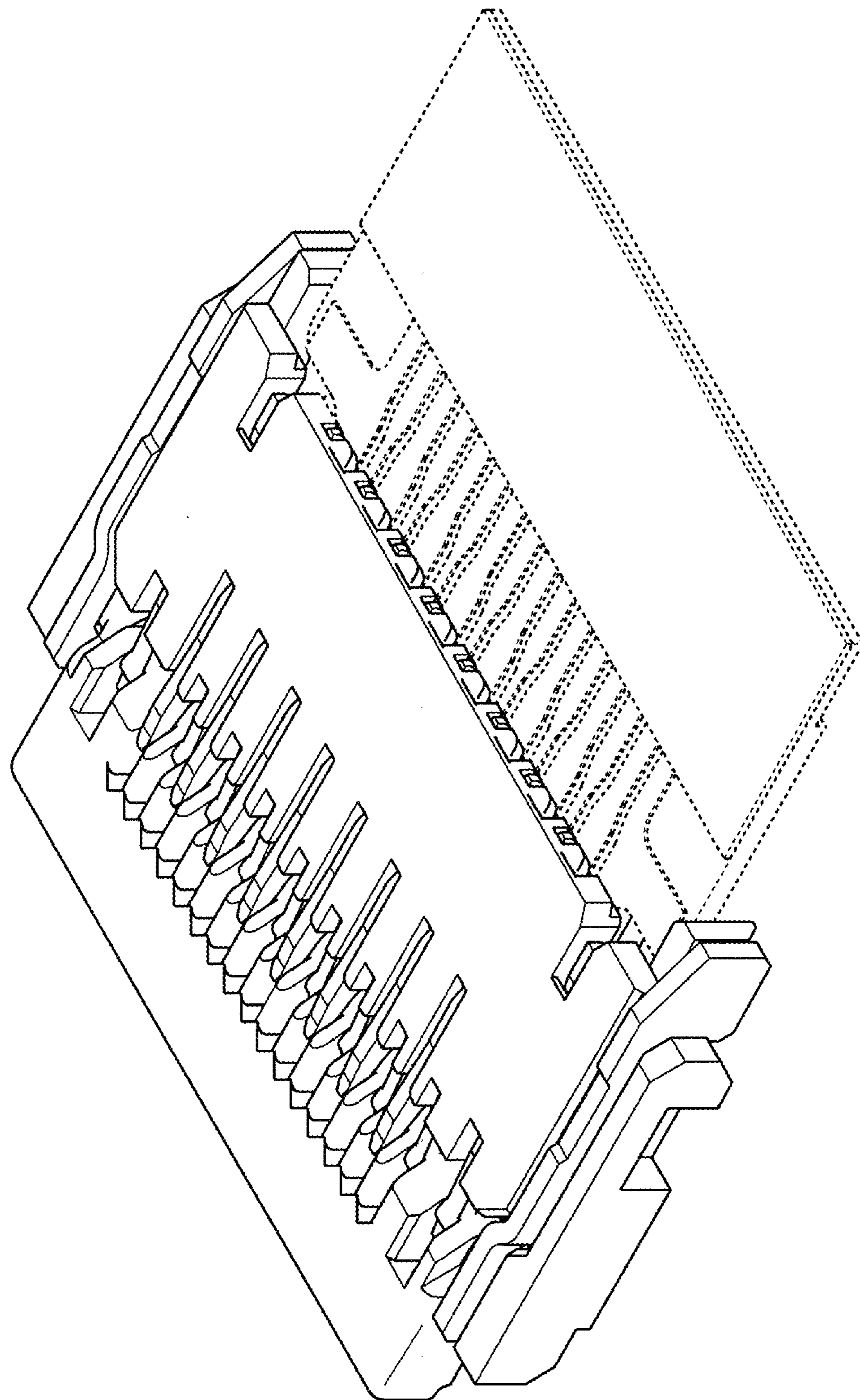


Fig.10