

US00D769821S

(12) **United States Design Patent**
Greig et al.

(10) **Patent No.:** **US D769,821 S**
(45) **Date of Patent:** **** Oct. 25, 2016**

(54) **CONNECTOR APPARATUS**

(71) Applicant: **Phitek Systems Limited**, Auckland (NZ)

(72) Inventors: **Nigel Greig**, Auckland (NZ); **Edward Scholten**, Auckland (NZ); **Hamish Dublon**, Auckland (NZ); **Brendon David Midgley**, Auckland (NZ)

(**) Term: **14 Years**

(21) Appl. No.: **29/488,330**

(22) Filed: **Apr. 17, 2014**

(30) **Foreign Application Priority Data**

Oct. 17, 2013 (NZ) 418159

(51) **LOC (10) Cl.** **13-03**

(52) **U.S. Cl.**
USPC **D13/146**

(58) **Field of Classification Search**
USPC D13/146, 147, 154, 184, 199
See application file for complete search history.

(56) **References Cited**

U.S. PATENT DOCUMENTS

D225,740 S *	1/1973	Thompson	D13/146
D261,757 S *	11/1981	Wunderlich	D13/133
D286,281 S *	10/1986	Sekiguchi	D13/146
D362,231 S *	9/1995	Chen	D13/147
D478,550 S *	8/2003	Garver	D13/146
D691,094 S *	10/2013	Fujioka	D13/147
D711,827 S *	8/2014	Greig	D13/133
D713,790 S *	9/2014	Greig	D13/133
D733,053 S *	6/2015	Greig	D13/133
2012/0315771 A1 *	12/2012	Greig	H01R 13/6205 439/39
2013/0303001 A1 *	11/2013	Greig	H01R 13/6205 439/39

OTHER PUBLICATIONS

Nigel Greig et al., "Connector Apparatus," U.S. Appl. No. 20/488,341, filed Apr. 17, 2014 (39 pages).

* cited by examiner

Primary Examiner — Daniel Bui

(57) **CLAIM**

The ornamental design for a connector apparatus, as shown and described.

DESCRIPTION

FIG. 1 is a front elevation view of a connector apparatus illustrating another embodiment of showing our new design. FIG. 2 is a left side elevation view thereof, the right side elevation view being a mirror image of the left side view. FIG. 3 is a top plan view thereof, the bottom view being the same as the top view.

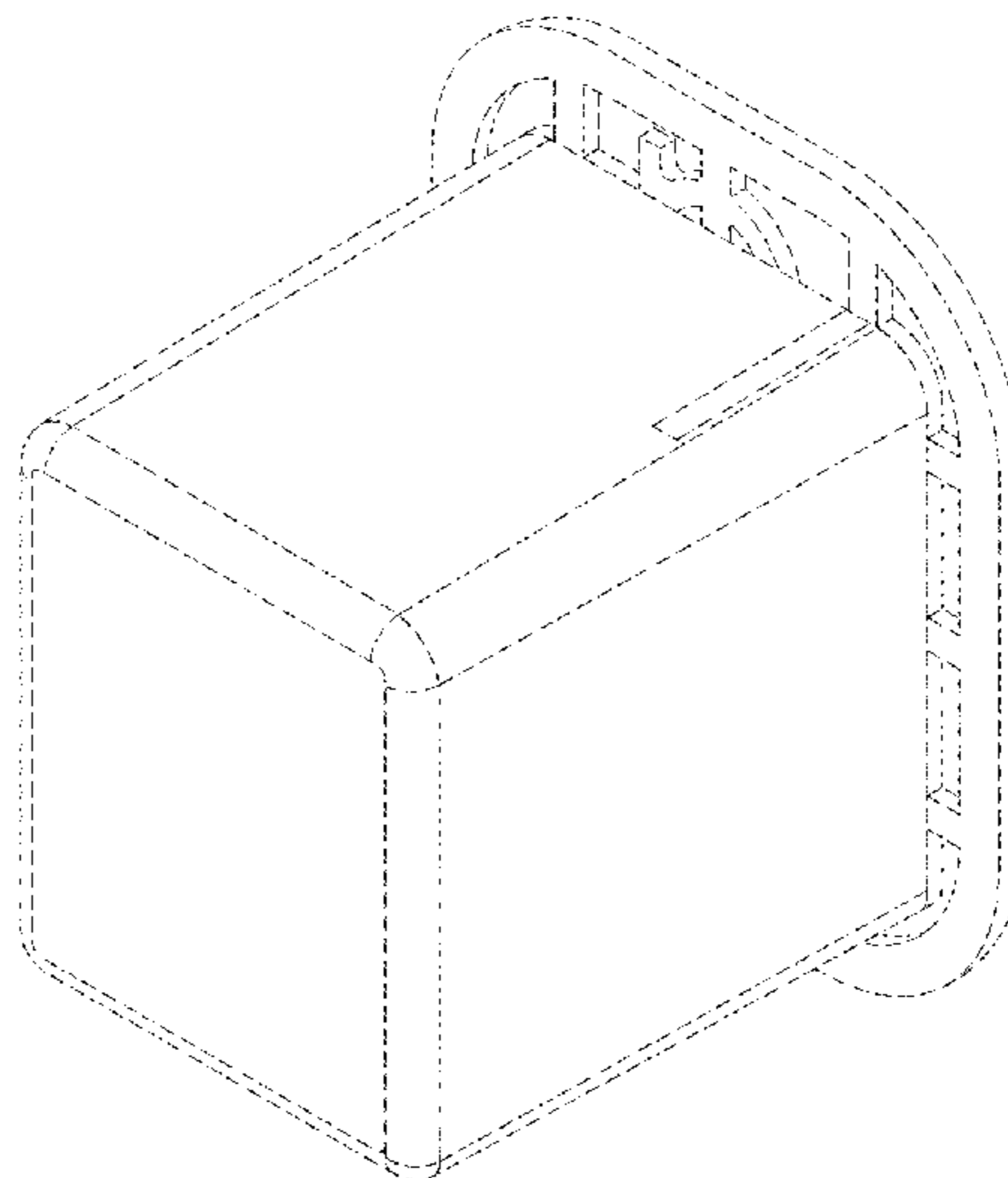
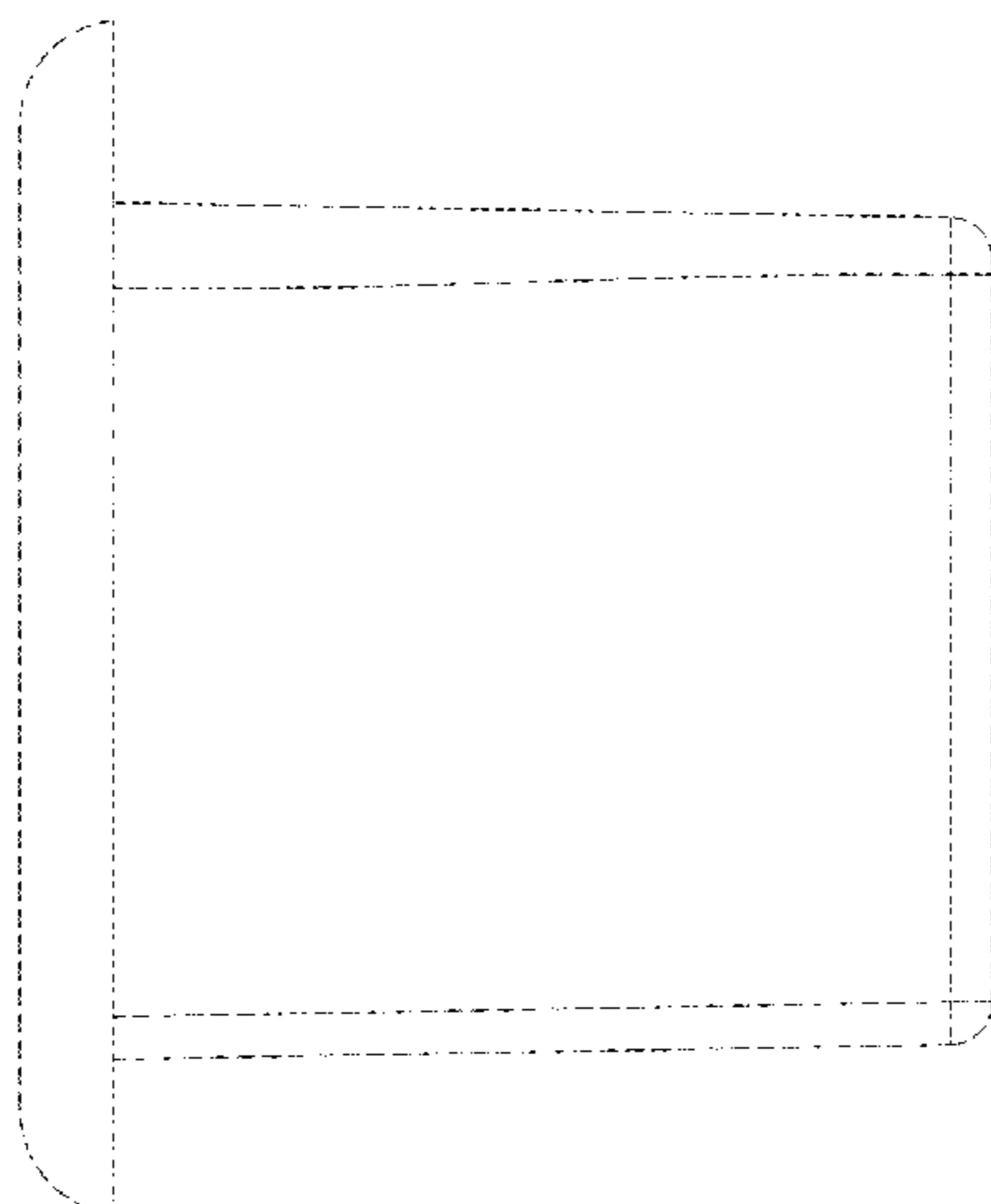
FIG. 4 is a rear elevation view thereof.

FIG. 5 is a back, left, and top perspective view thereof.

FIG. 6 is a back, right, and top perspective view thereof; and, FIG. 7 is a front elevation view thereof on an enlarged scale.

The broken lines in the figures are for illustrative purposes only and form no part of the claimed design. As can be seen from the various embodiments, the design has various levels of abstraction. For example, the front rim of the connector apparatus, the inner periphery, the three circular elements, the three polygon elements, the periphery of the innermost region, and the small inner shapes, numbering ten in all, can be combined together, as in the first embodiment. Additionally, each of these features, either individually or in groups of two or more, can be removed, by being converted to background, for example, in other embodiments of the design.

1 Claim, 4 Drawing Sheets



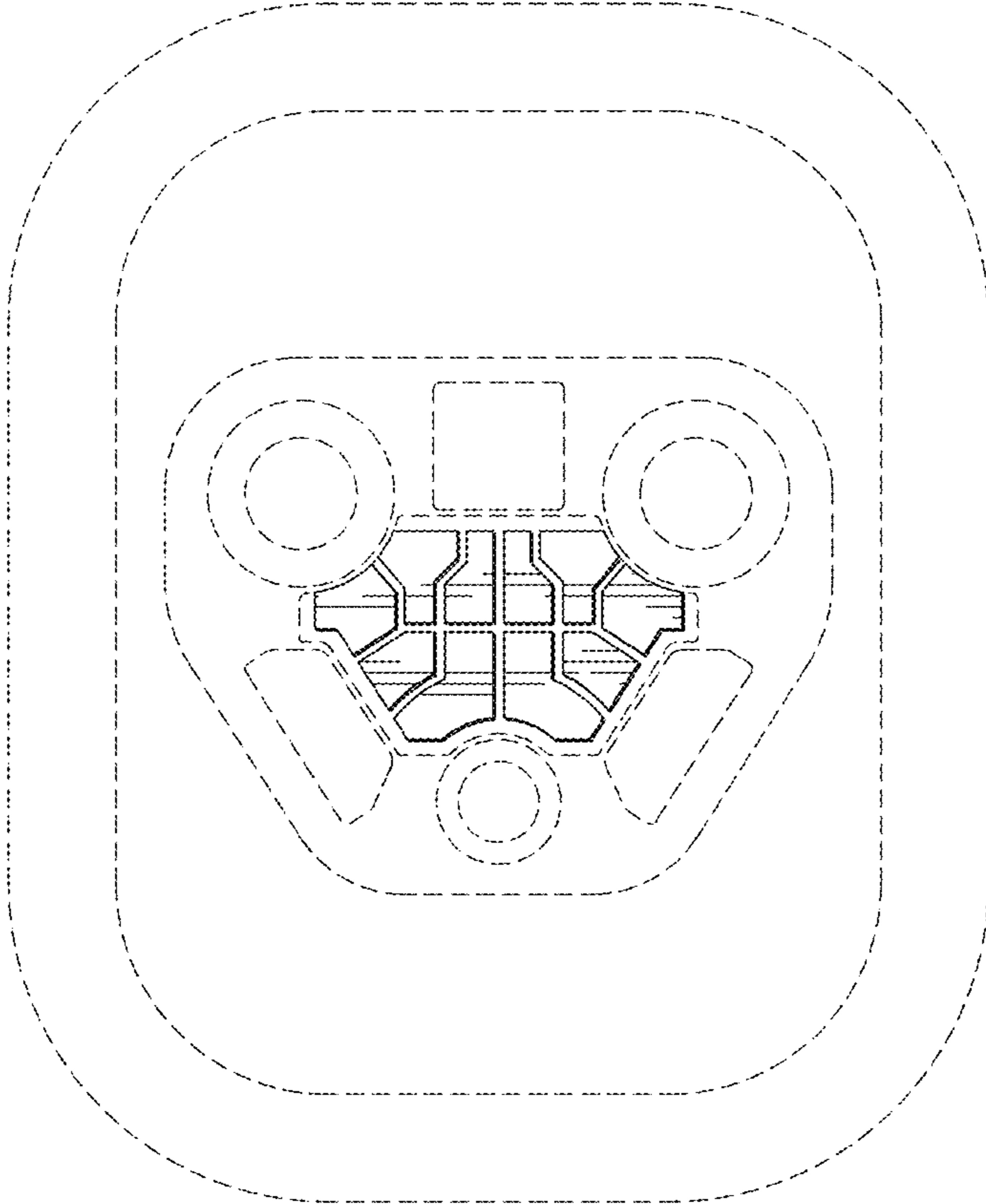


FIG. 1

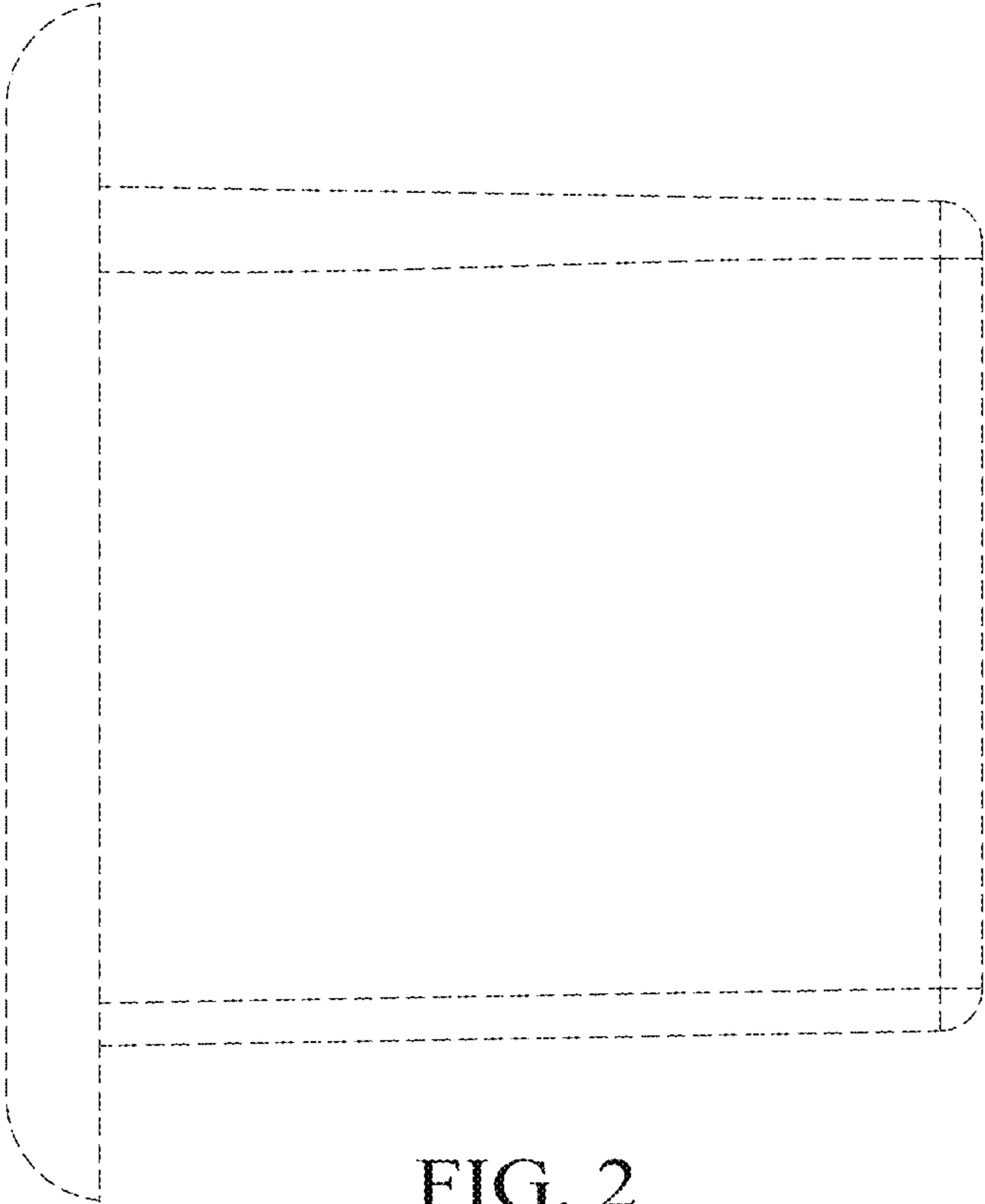


FIG. 2

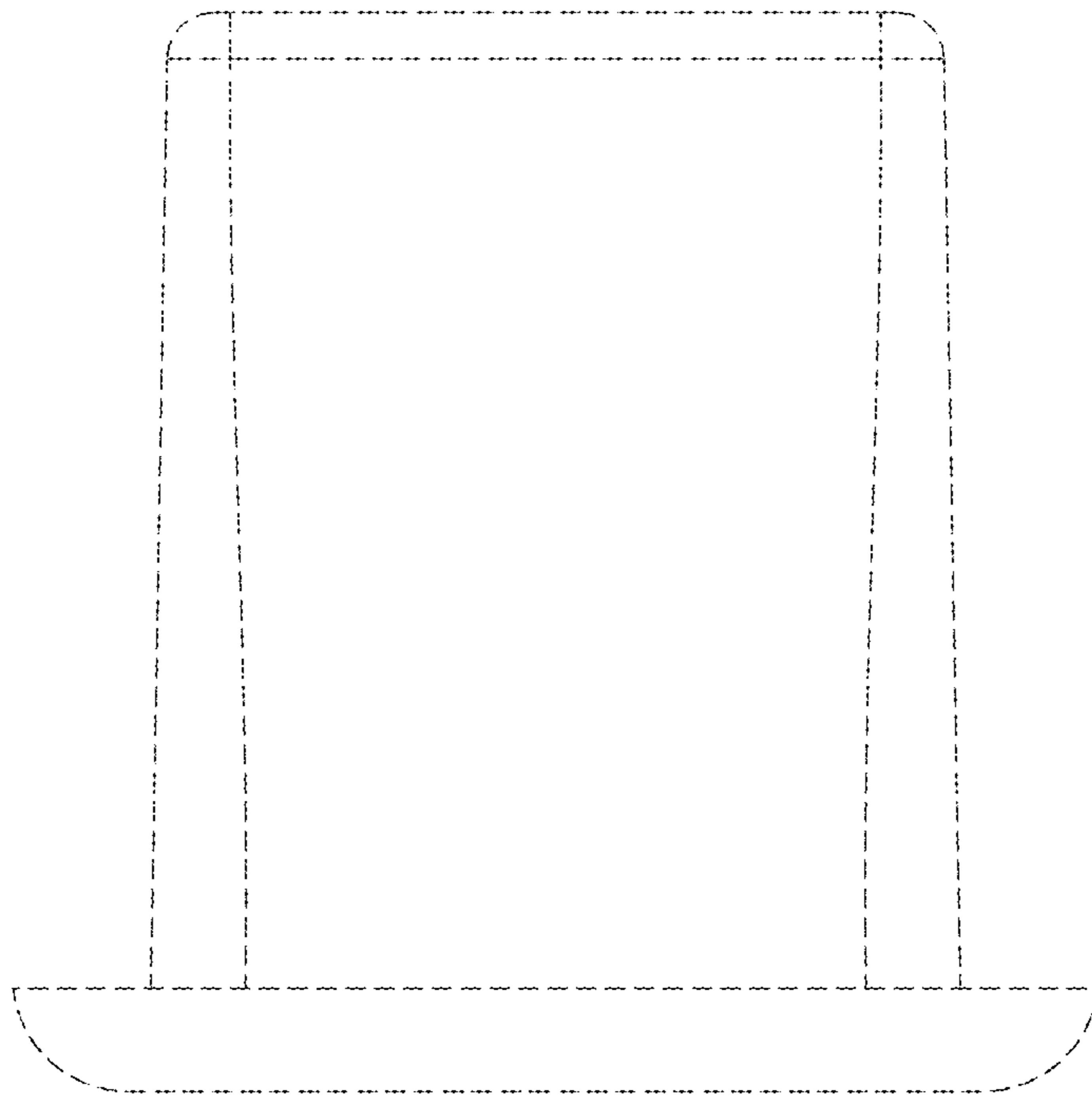


FIG. 3

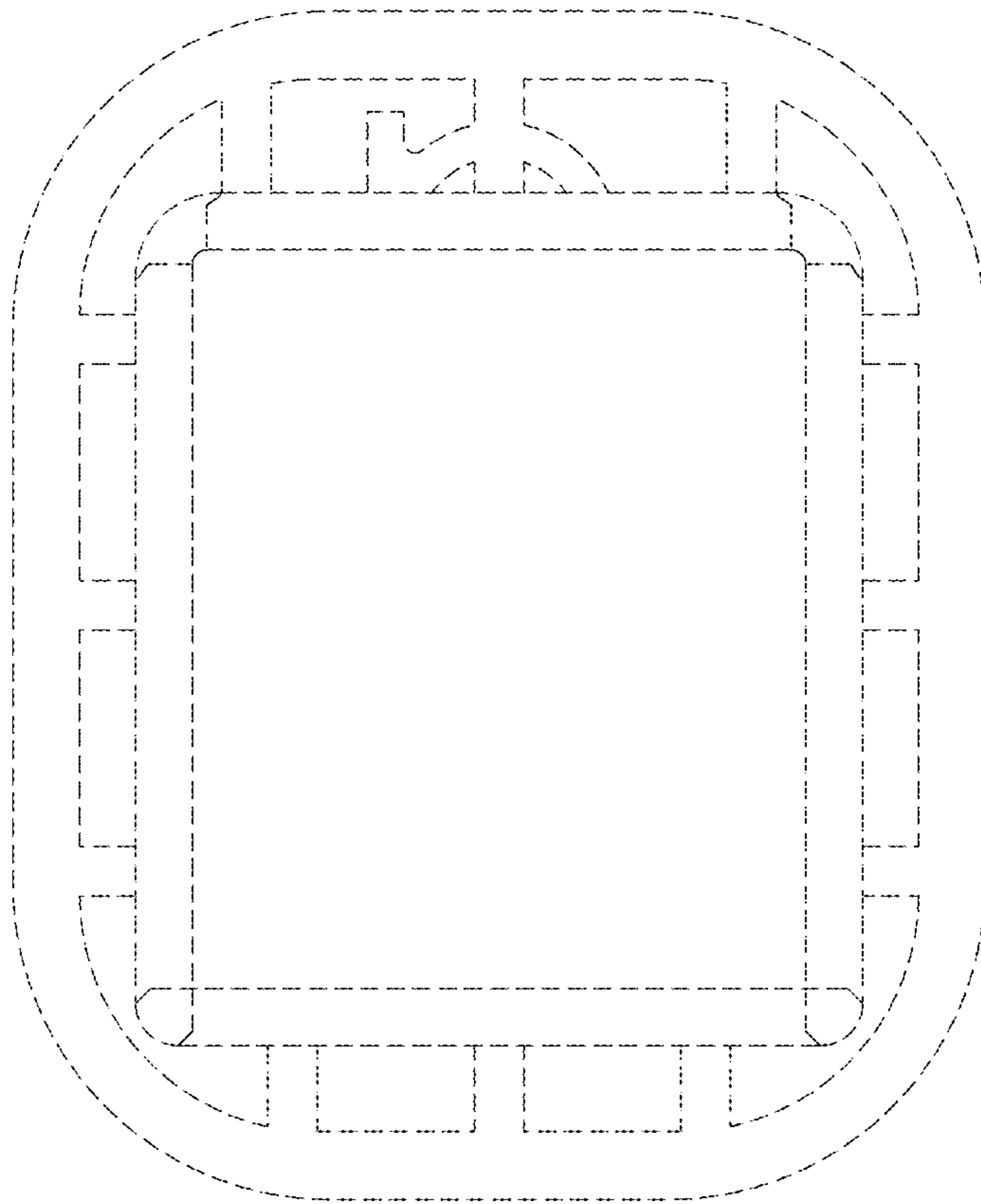


FIG. 4

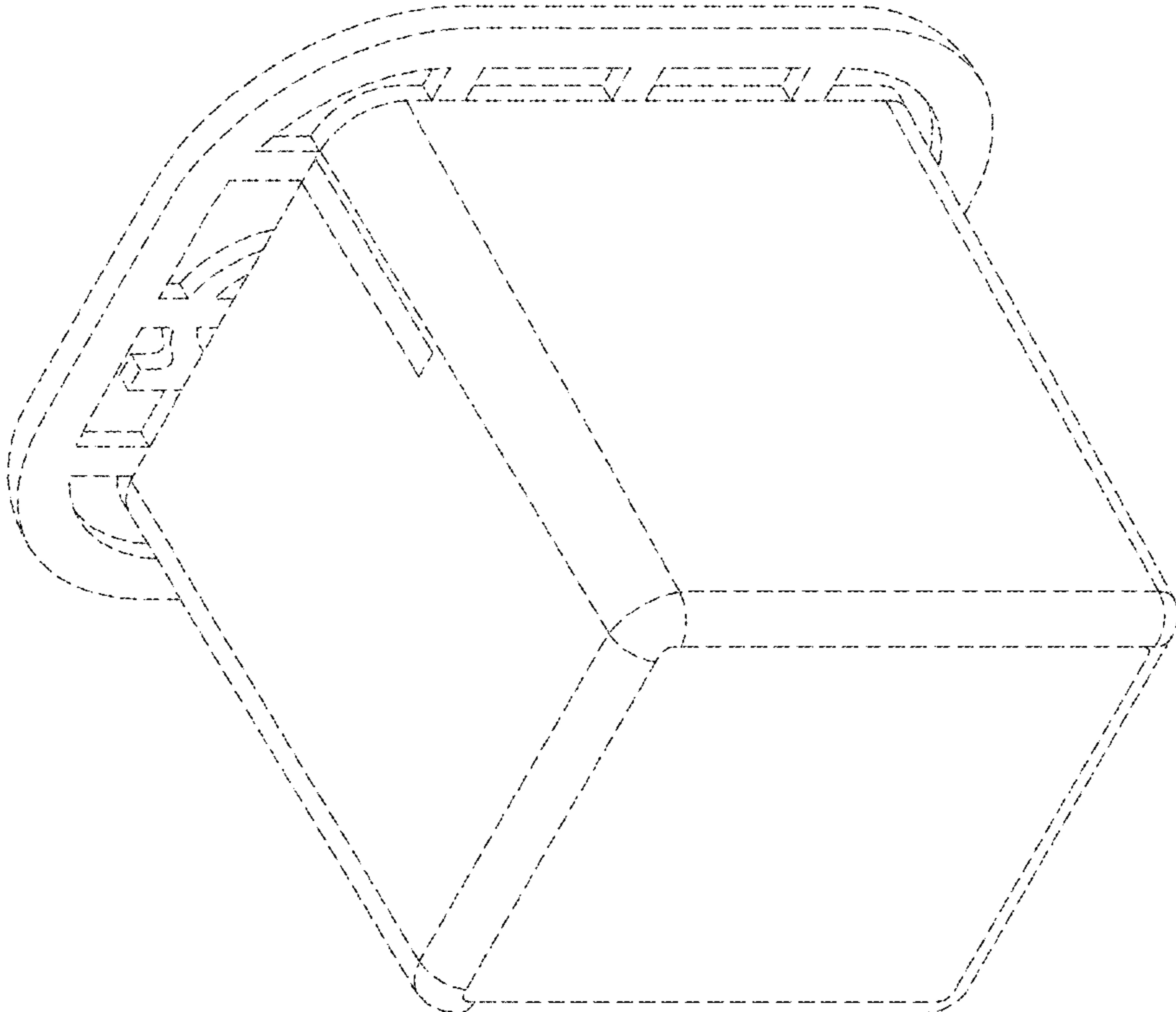


FIG. 6

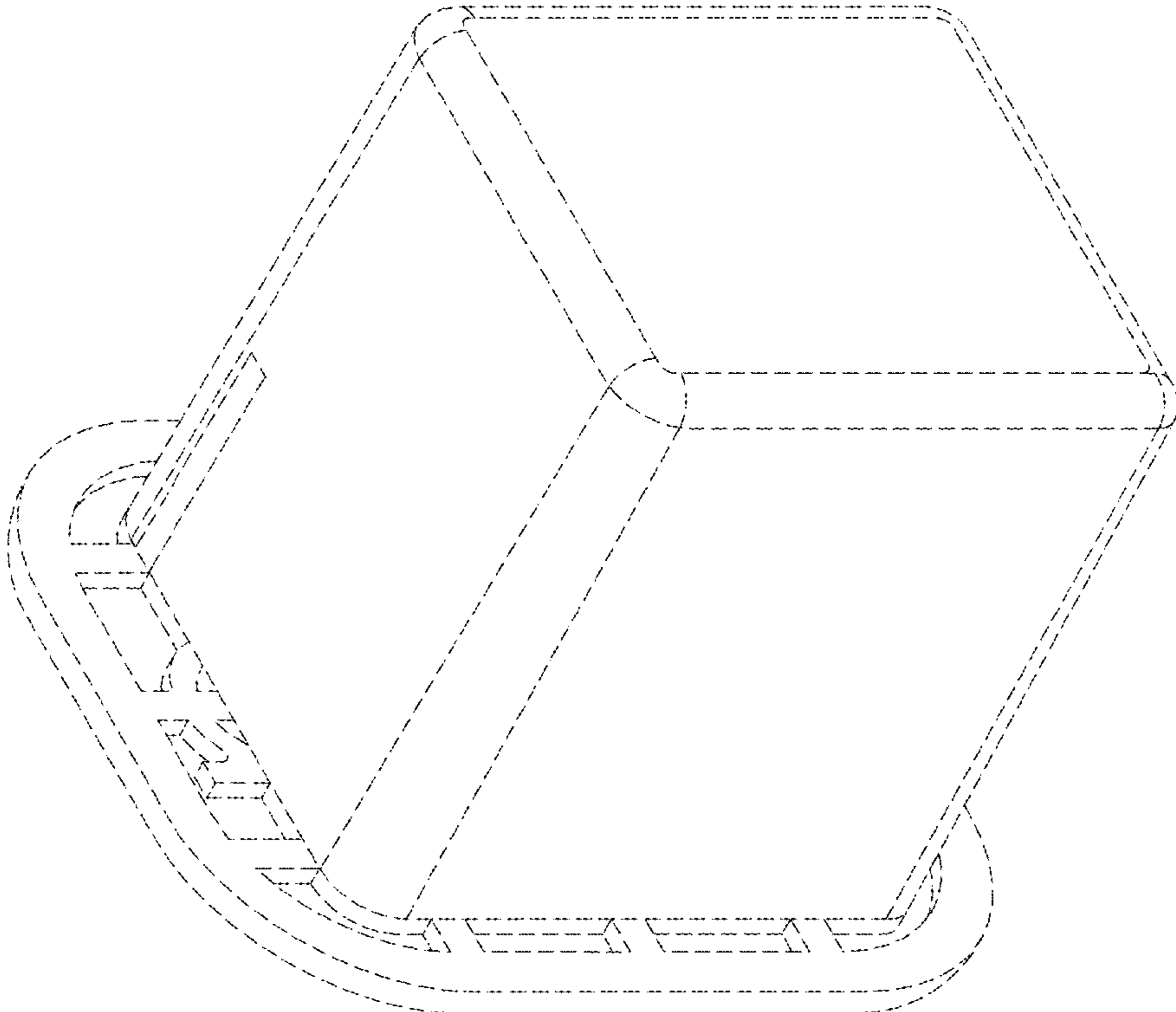


FIG. 5

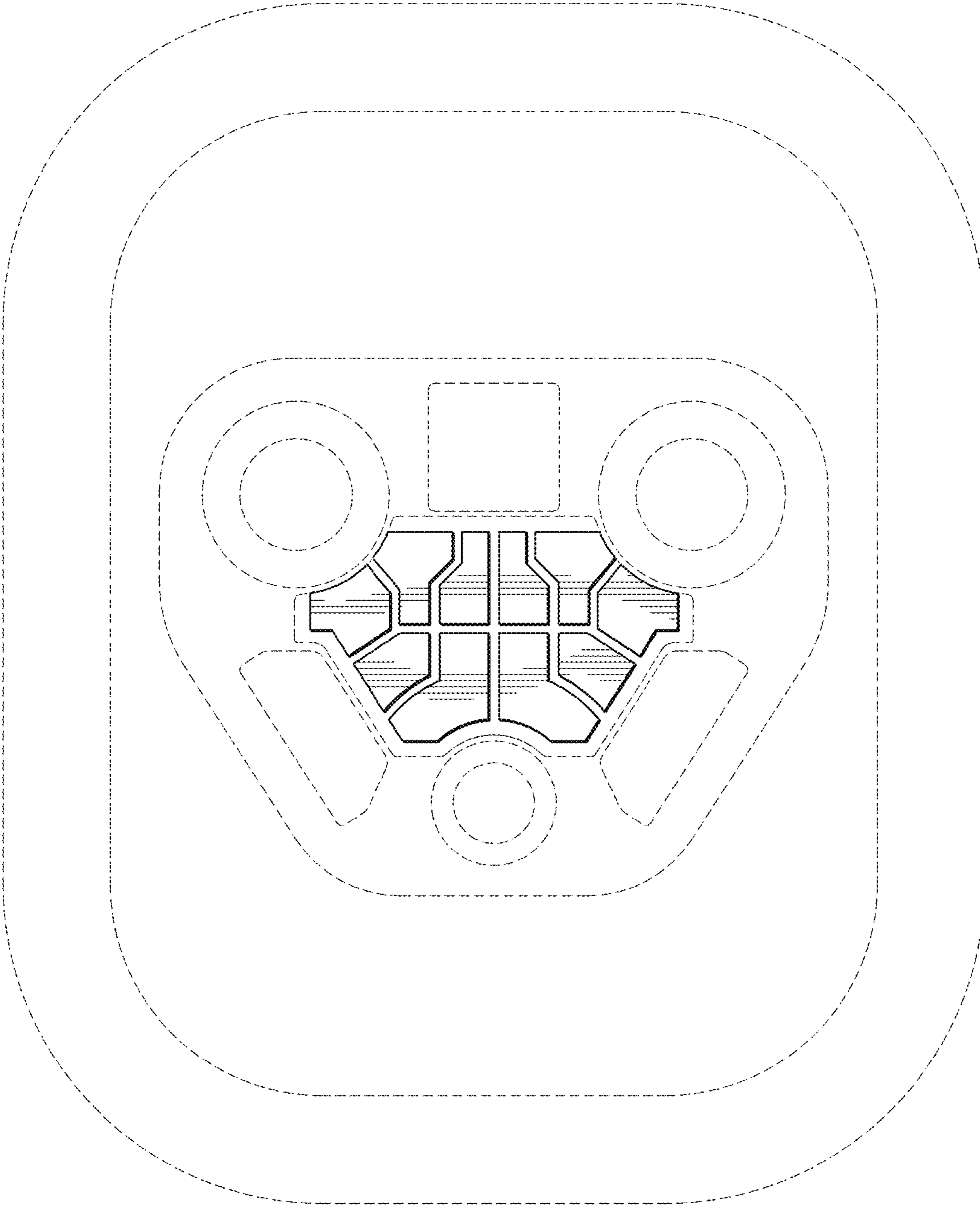


FIG. 7