



US00D769819S

(12) **United States Design Patent**  
**Banayan**

(10) **Patent No.:** **US D769,819 S**

(45) **Date of Patent:** **\*\* Oct. 25, 2016**

(54) **POWER ADAPTOR**

(71) Applicant: **Adaptive Frequency Holdings, LLC,**  
Compton, CA (US)

(72) Inventor: **Aziz Banayan,** Beverly Hills, CA (US)

(73) Assignee: **Adaptive Frequency Holdings, LLC,**  
Compton, CA (US)

(\*\*) Term: **15 Years**

(21) Appl. No.: **29/530,565**

(22) Filed: **Jun. 17, 2015**

(51) **LOC (10) Cl.** ..... **13-02**

(52) **U.S. Cl.**  
USPC ..... **D13/110**

(58) **Field of Classification Search**

USPC ..... D13/110, 107, 108, 118, 119, 123, 133,  
D13/137.1, 137.2, 139.1, 139.2, 184, 199;  
D14/242, 251, 432, 433, 434; 174/53,  
174/54, 59, 61; 307/11, 150, 151; 320/107,  
320/111, 112, 113, 114, 115; 361/679.01;  
363/142, 146; 439/131, 172, 626, 628,  
439/638  
CPC ..... H01R 31/06; H01R 25/00; H02M 7/003;  
H02M 2001/007; H02M 2001/0012; H02M  
2001/0025; H02M 3/157; H05K 7/1432;  
H02J 7/0062

See application file for complete search history.

(56) **References Cited**

**U.S. PATENT DOCUMENTS**

D340,909 S \* 11/1993 Ip ..... D13/110  
D503,679 S \* 4/2005 Andre ..... D13/110  
D558,143 S \* 12/2007 Hsu ..... D13/110  
D579,409 S \* 10/2008 Burak ..... D13/110

D624,495 S \* 9/2010 Shum ..... D13/110  
D654,432 S \* 2/2012 Brookshire ..... D13/110  
D680,953 S \* 4/2013 Kuo ..... D13/137.2  
D719,091 S \* 12/2014 Leddusire ..... D13/110  
D737,208 S \* 8/2015 Faul ..... D13/139.1

\* cited by examiner

*Primary Examiner* — Derrick Holland

(74) *Attorney, Agent, or Firm* — Michael D. Harris;  
SoCal IP Law Group LLP

(57) **CLAIM**

The ornamental design for a power adapter, as shown and described.

**DESCRIPTION**

FIG. 1 is a front, top, and right perspective view of a power adapter.

FIG. 2 is a rear, top, and left perspective view thereof.

FIG. 3 is a front elevation view thereof.

FIG. 4 is a rear elevation view thereof.

FIG. 5 is a right side elevation view thereof.

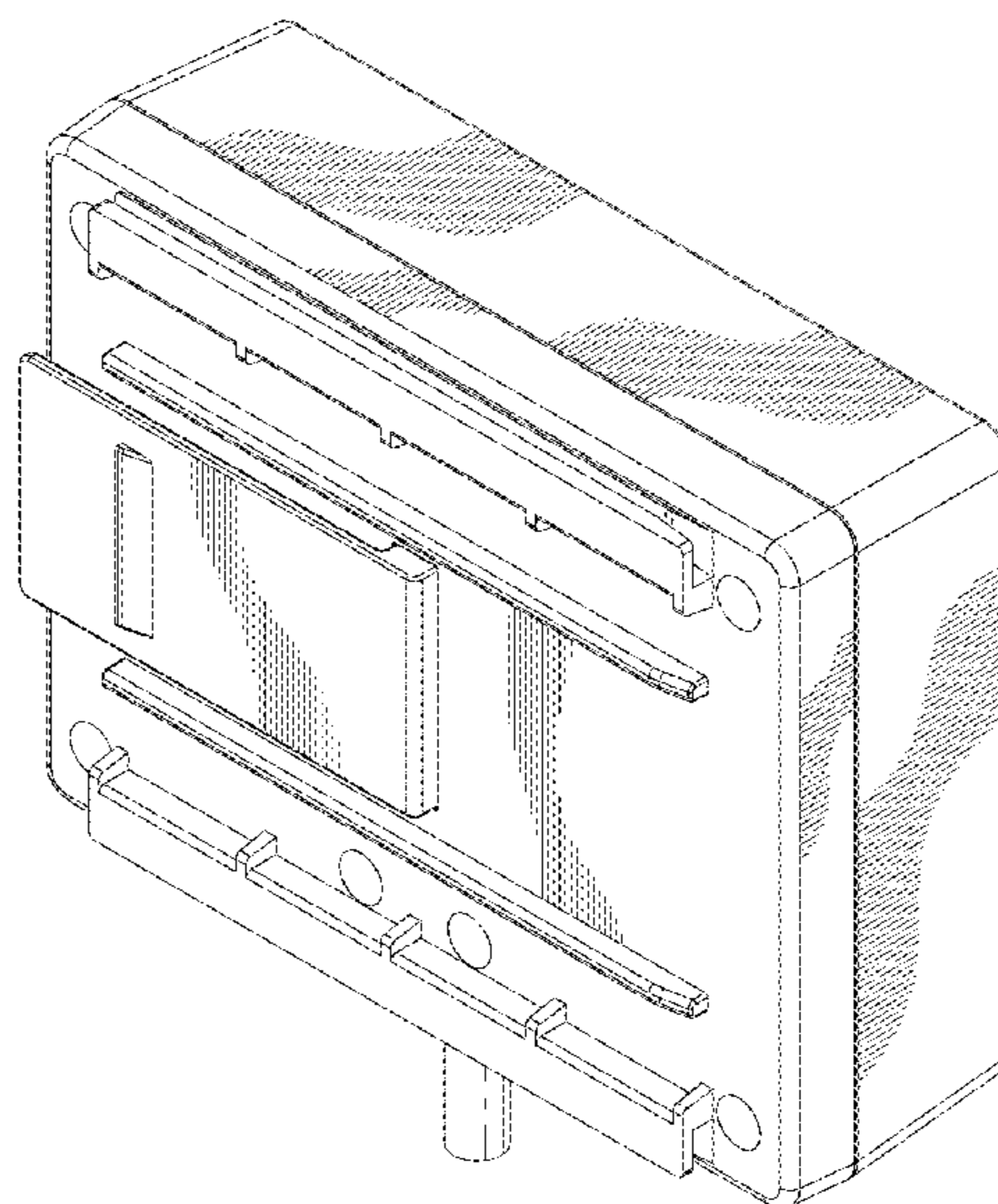
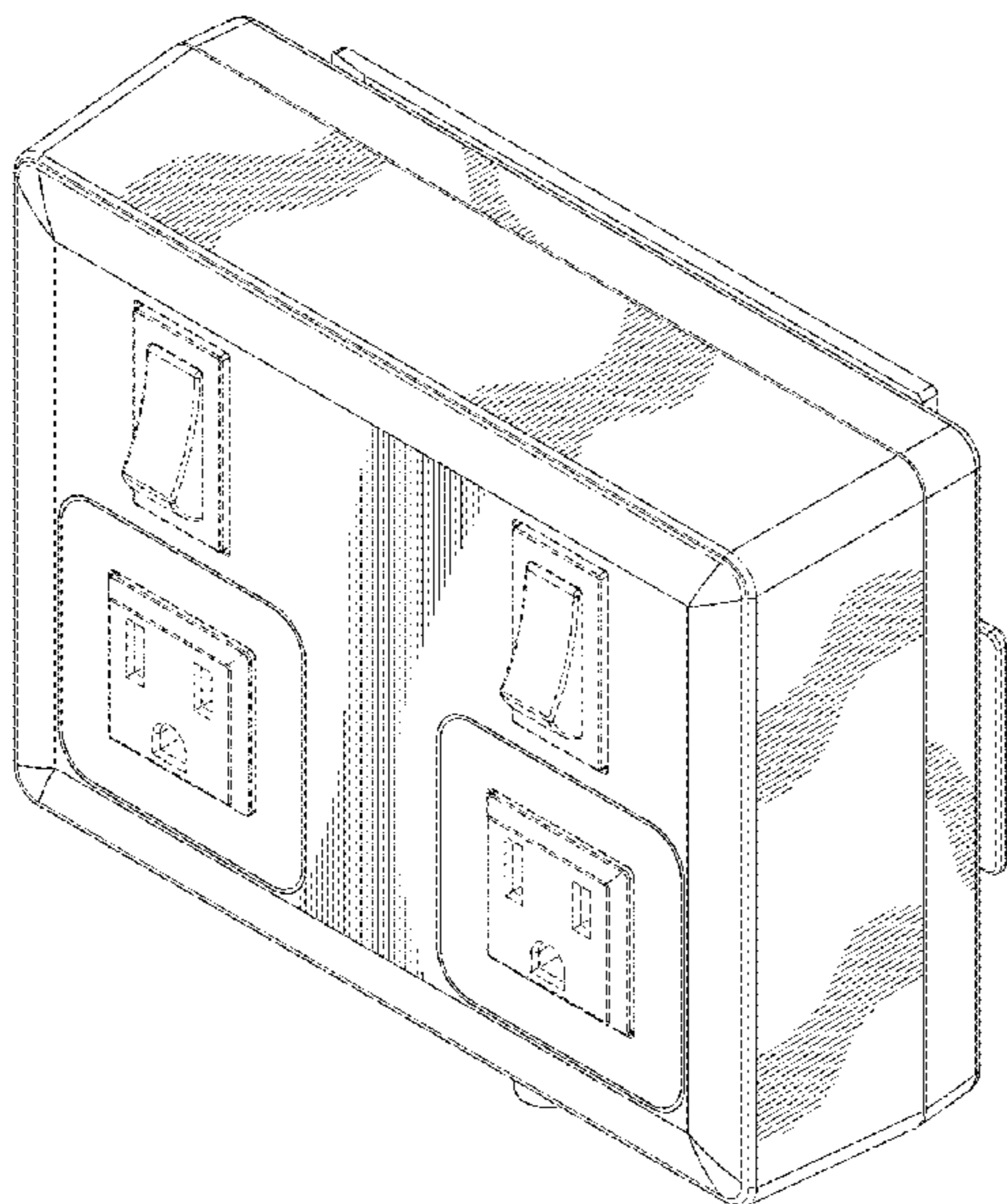
FIG. 6 is a left side elevation view thereof.

FIG. 7 is a top plan view thereof; and,

FIG. 8 is a bottom plan view thereof.

The broken lines shown represent unclaimed subject matter and form no part of the claimed design.

**1 Claim, 6 Drawing Sheets**



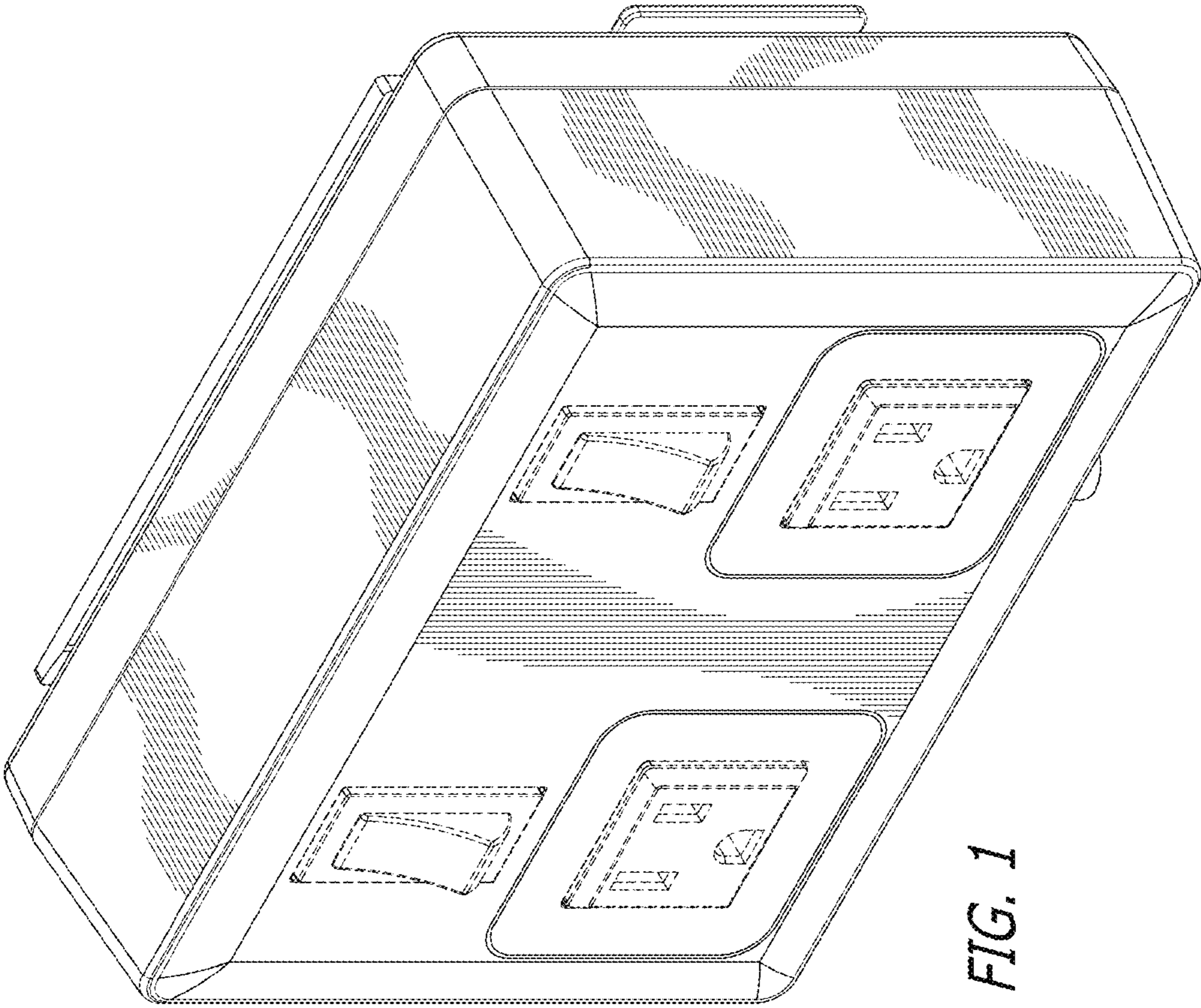


FIG. 1

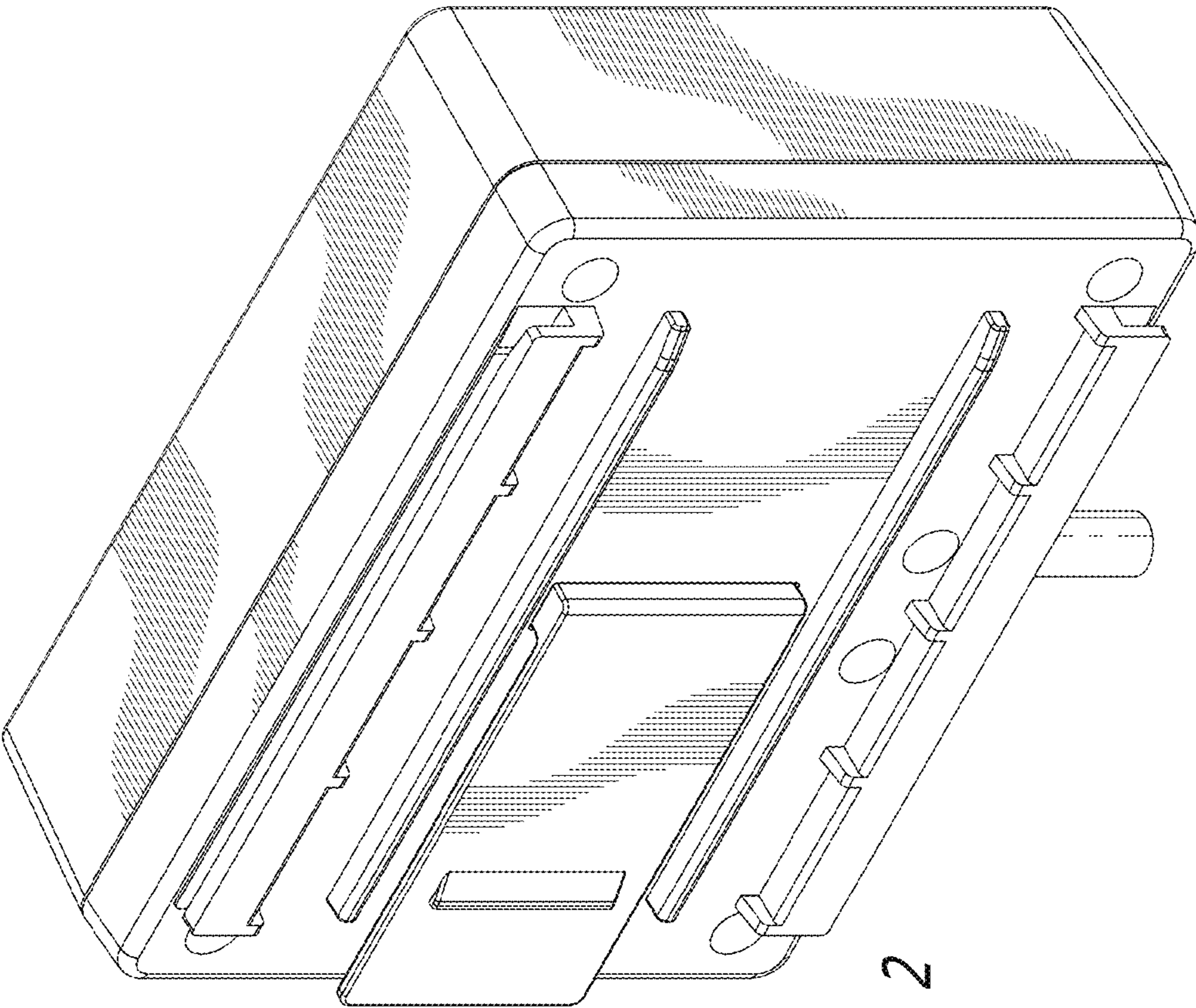


FIG. 2

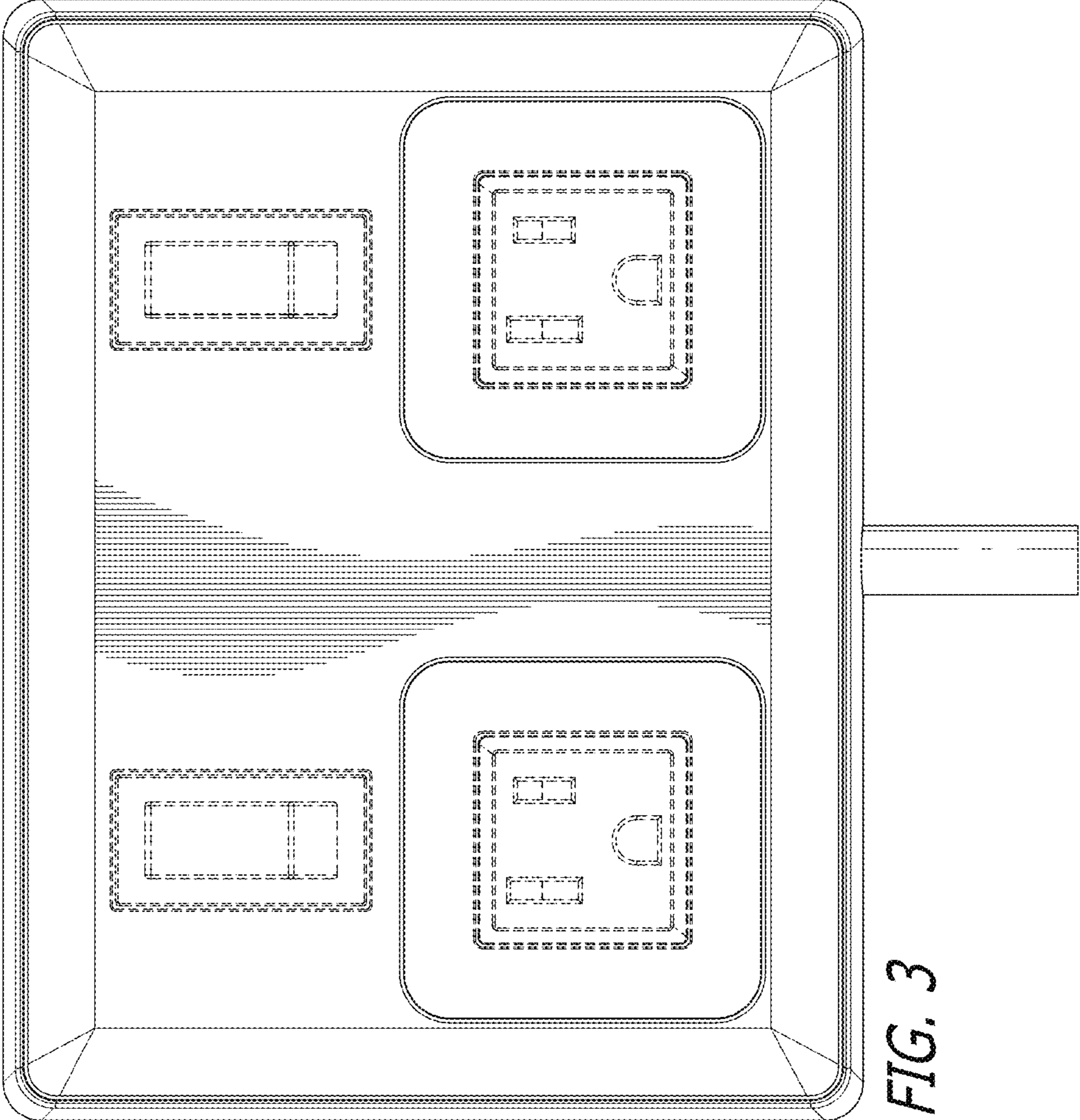


FIG. 3

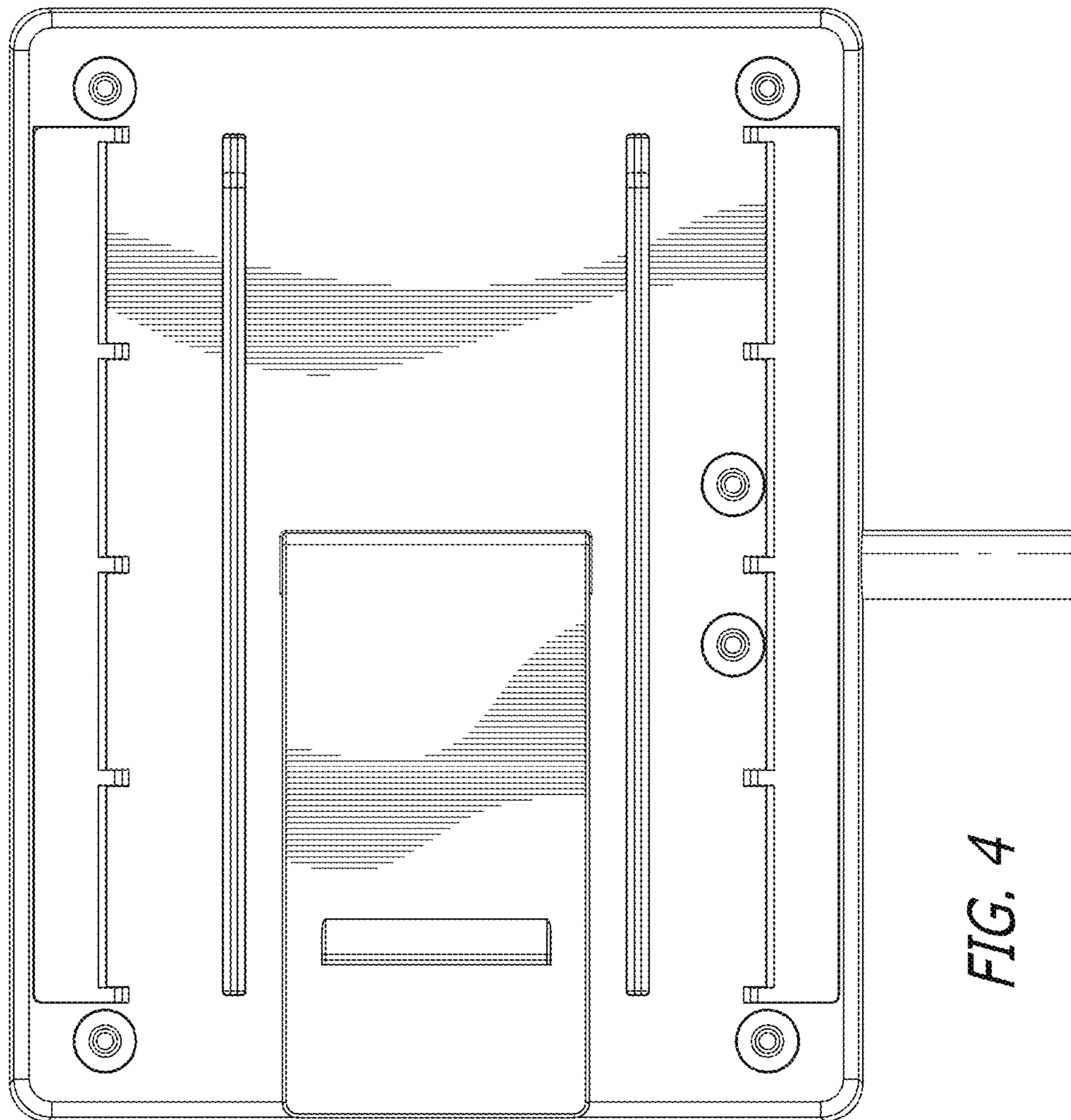


FIG. 4

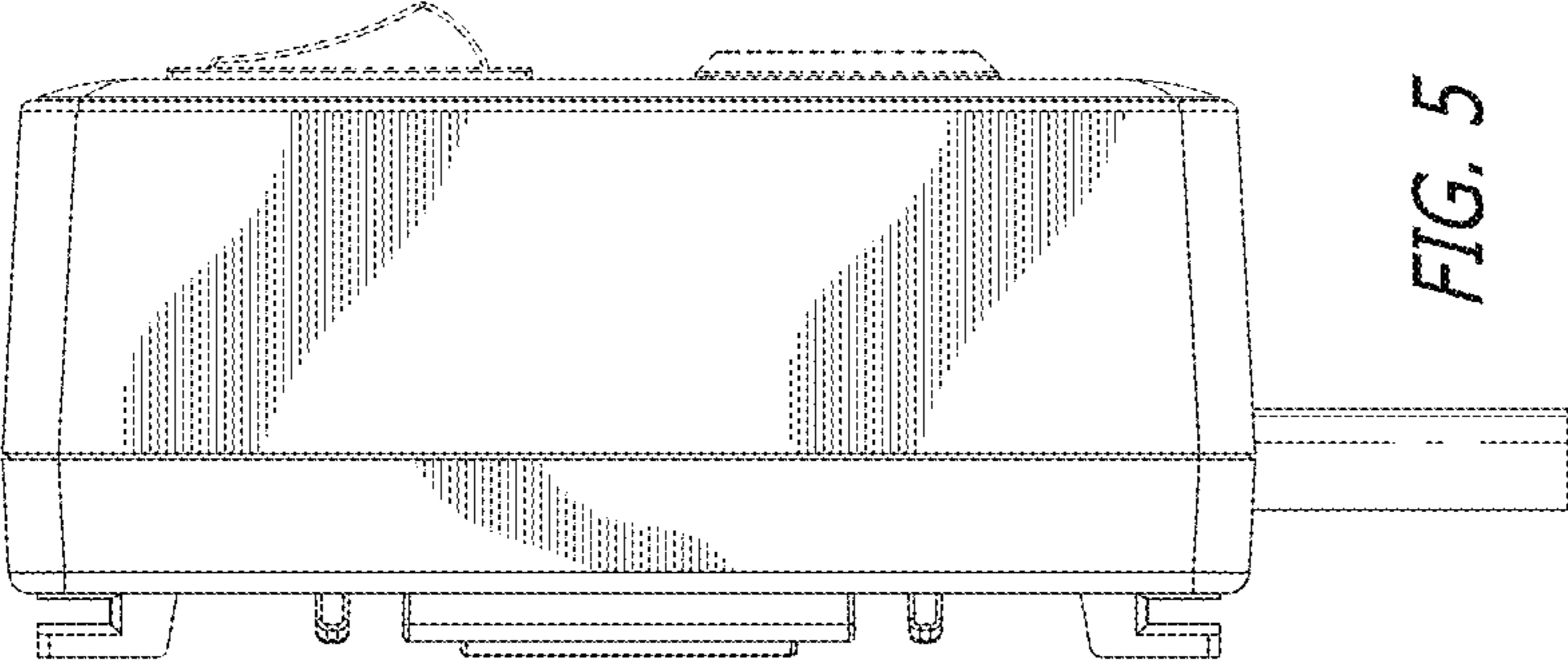
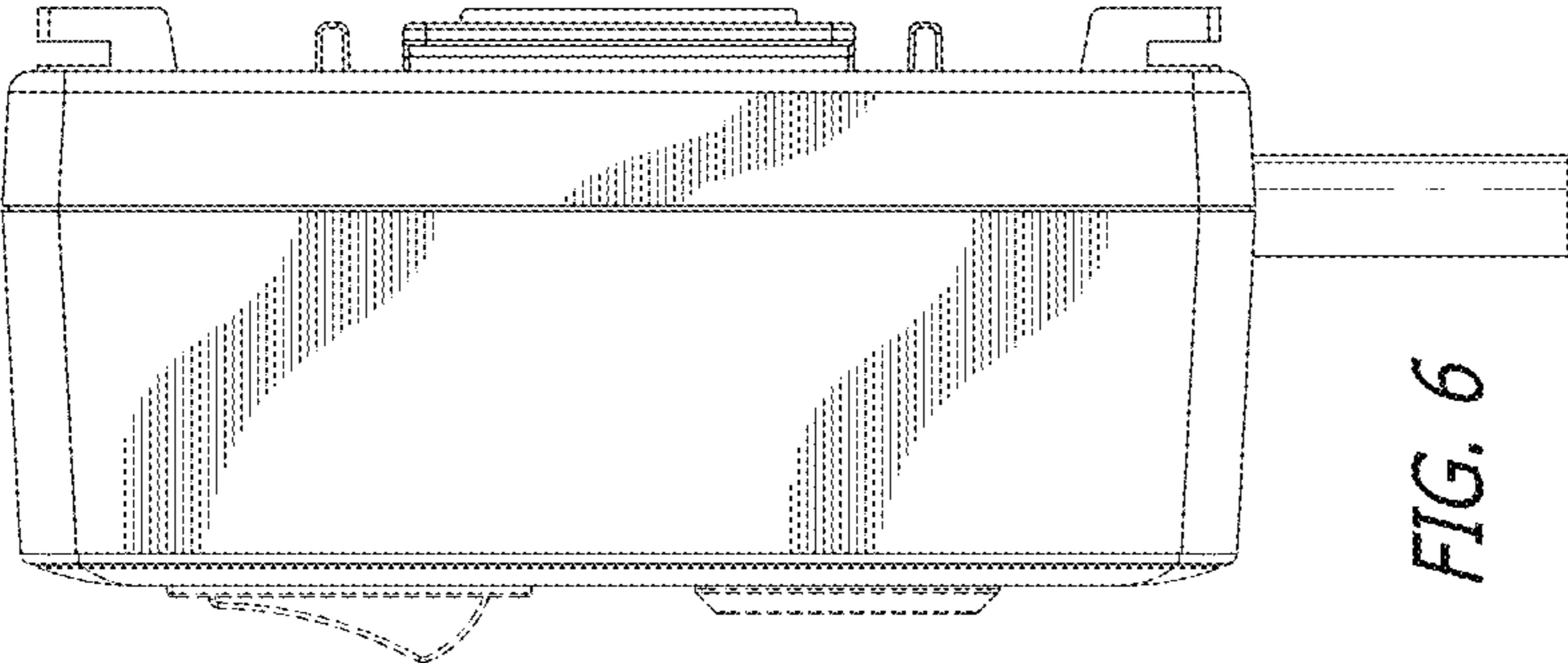


FIG. 7

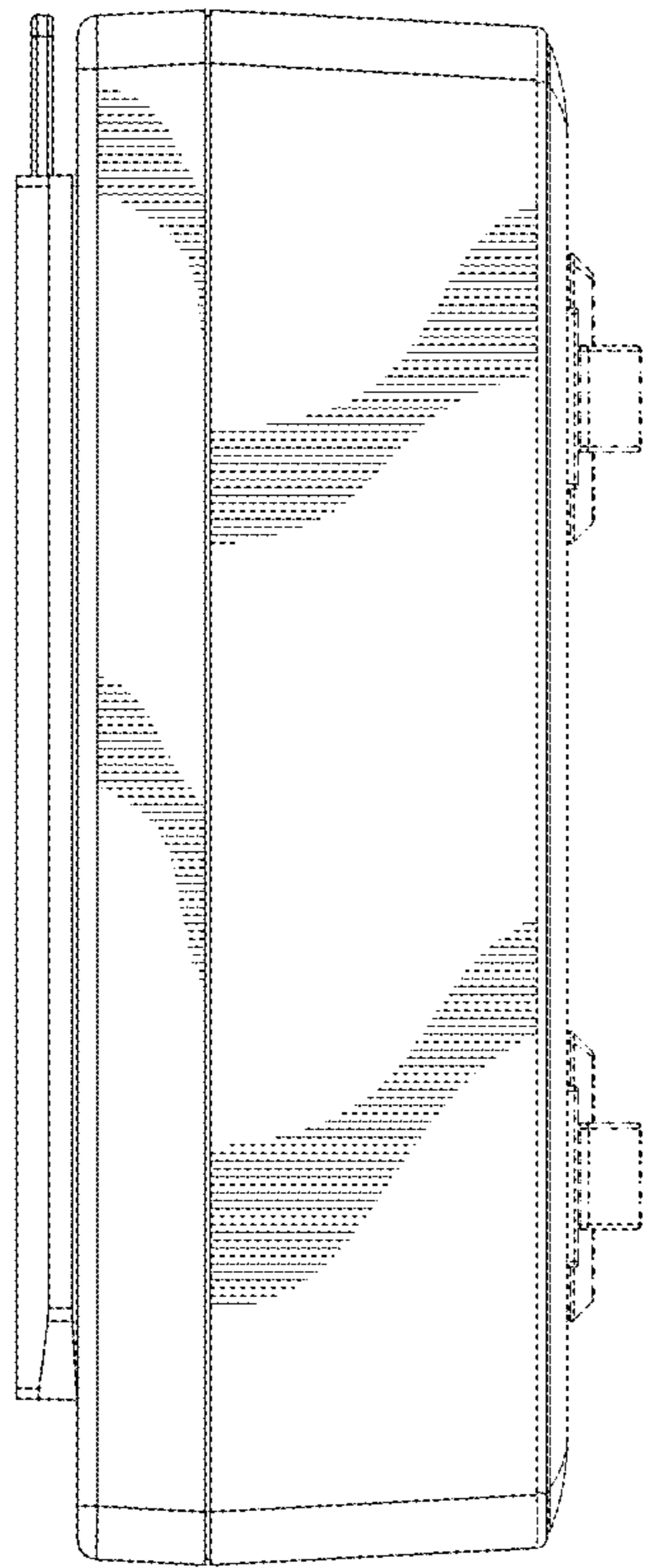


FIG. 8

