



US00D769818S

(12) **United States Design Patent** (10) **Patent No.:** **US D769,818 S**
Alesi et al. (45) **Date of Patent:** **** Oct. 25, 2016**

(54) **USB ADAPTER**

(71) Applicant: **Custom Accessories Inc.**, Richmond, IL (US)

(72) Inventors: **Vincent Anthony Alesi**, Richmond, IL (US); **Anthony Salvatore Ferenzi**, Richmond, IL (US)

(73) Assignee: **Custom Accessories Inc.**, Richmond, IL (US)

(**) Term: **14 Years**

(21) Appl. No.: **29/517,007**

(22) Filed: **Feb. 9, 2015**

(51) **LOC (10) Cl.** **13-02**

(52) **U.S. Cl.**
USPC **D13/110**

(58) **Field of Classification Search**

USPC D13/110, 107, 108, 118, 119, 123, 133, D13/137.1, 184, 199; D14/242, 251, 432, D14/433, 434; 174/53, 54, 59, 61; 307/11, 307/150, 151; 320/107, 111, 112, 113, 114, 320/115; 361/679.01; 363/142, 146; 439/131, 172, 626, 628, 638
 CPC H01R 31/06; H01R 25/00; H02M 7/003; H05K 7/1432; H02J 7/0062; H01M 2/02; H01M 2/022; H01M 2/0202; H01M 2/0207; H01M 2/0212; H01M 2/105; H01M 2/204; H01M 2/206

See application file for complete search history.

(56) **References Cited**

U.S. PATENT DOCUMENTS

5,497,289 A *	3/1996	Sugishima	H02M 7/003 318/558
D436,919 S *	1/2001	Wakefield	D13/110
D558,143 S *	12/2007	Hsu	D13/110
D559,848 S *	1/2008	Siu	D14/433
D639,238 S *	6/2011	Serrano	D13/110
D642,165 S *	7/2011	Kyriakides	D14/240
D672,310 S *	12/2012	Scharf	D13/102
D693,768 S *	11/2013	Alesi	D13/110

* cited by examiner

Primary Examiner — Derrick Holland

(74) *Attorney, Agent, or Firm* — Leydig, Voit & Mayer, Ltd.

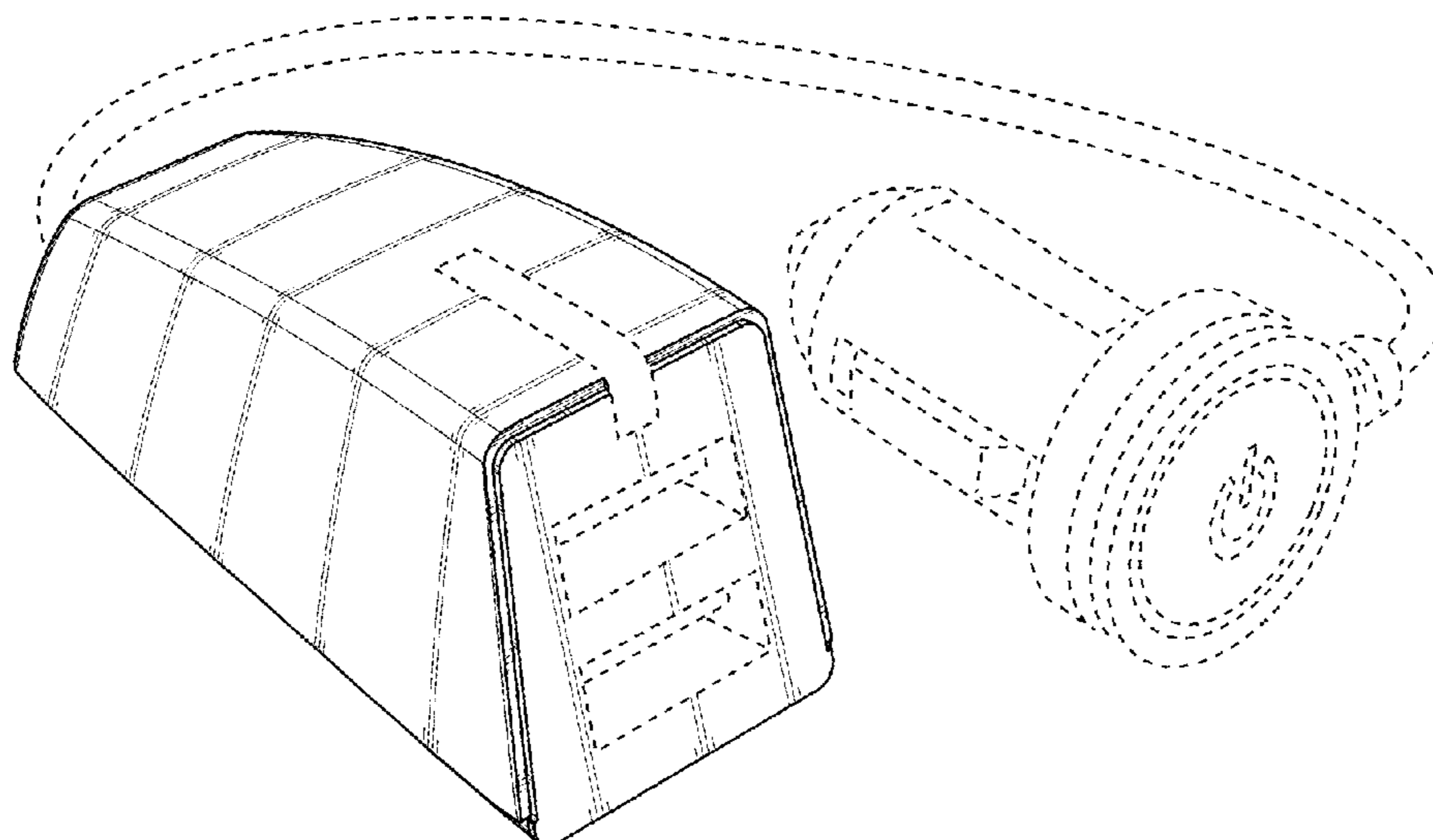
(57) **CLAIM**

The ornamental design for a USB adapter, as shown and described.

DESCRIPTION

FIG. 1 is a front, top, and left side perspective view of a USB adapter in accordance with our new design.
 FIG. 2 is a front view of the USB adapter of FIG. 1.
 FIG. 3 is a rear view of the USB adapter of FIG. 1.
 FIG. 4 is a left side elevational view of the USB adapter of FIG. 1.
 FIG. 5 is a right side elevational view of the USB adapter of FIG. 1.
 FIG. 6 is a top view of the USB adapter of FIG. 1; and,
 FIG. 7 is a bottom view of the USB adapter of FIG. 1.
 The broken lines shown represent unclaimed subject matter and form no part of the claimed design.

1 Claim, 7 Drawing Sheets



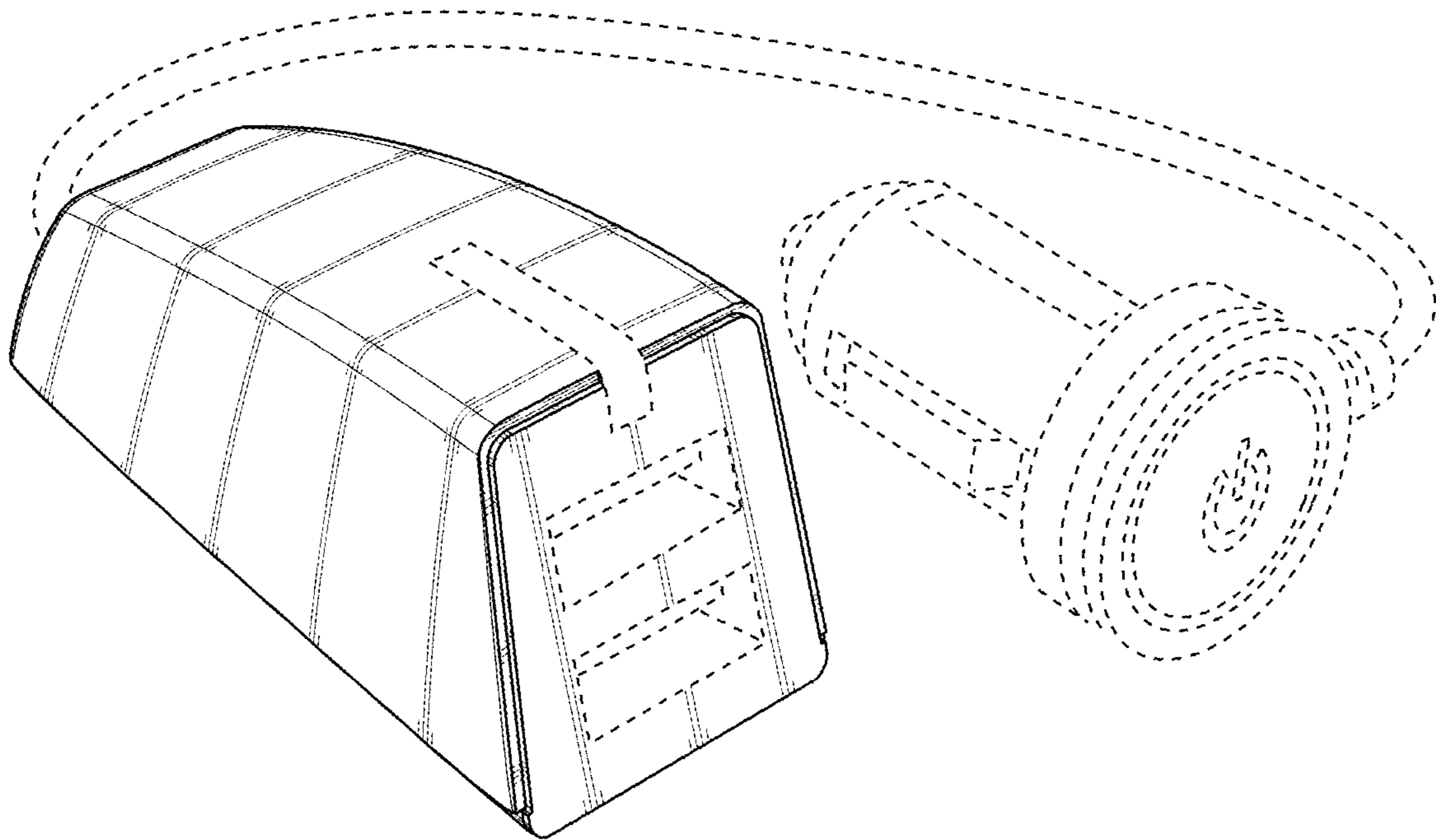


FIG. 1

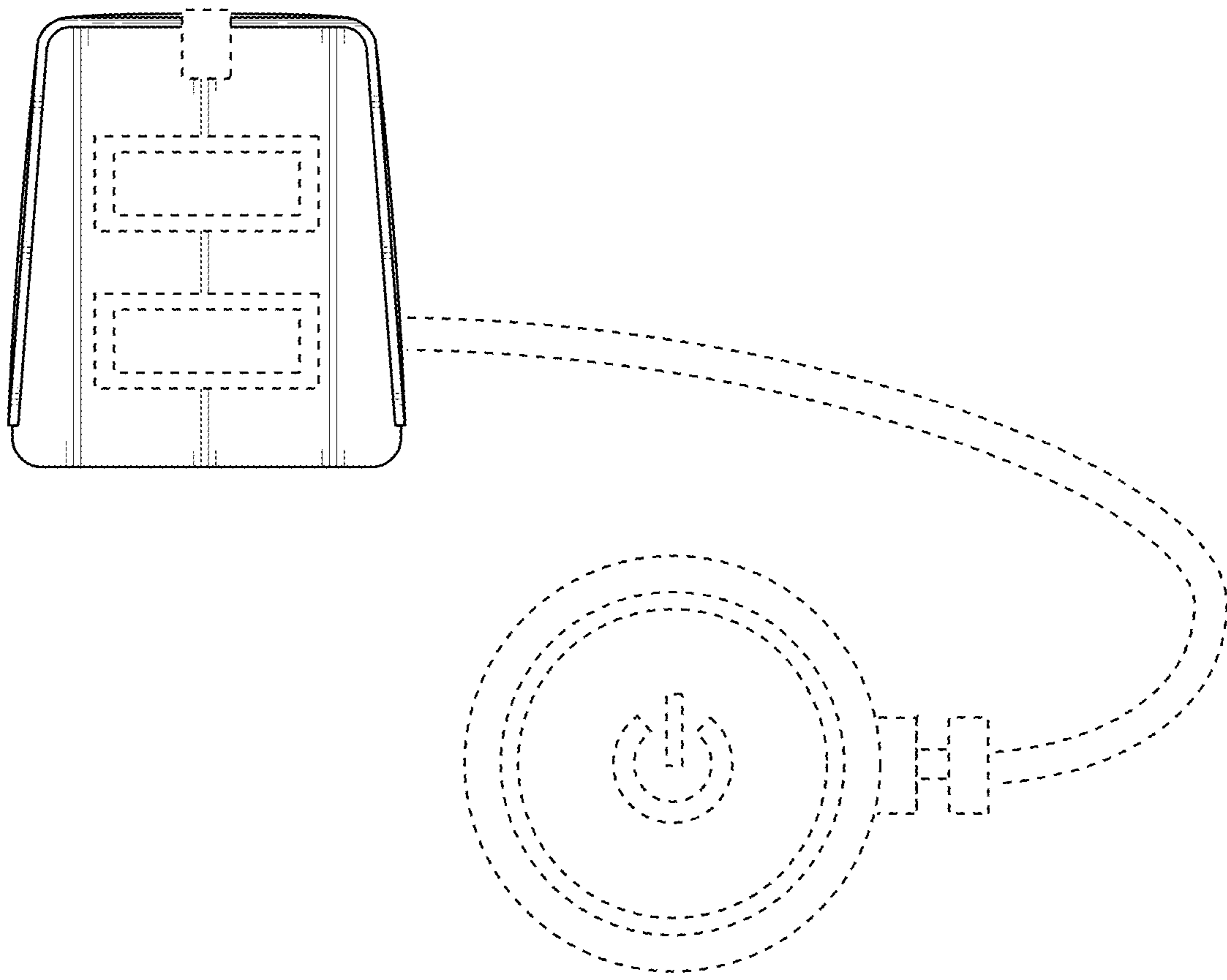


FIG. 2

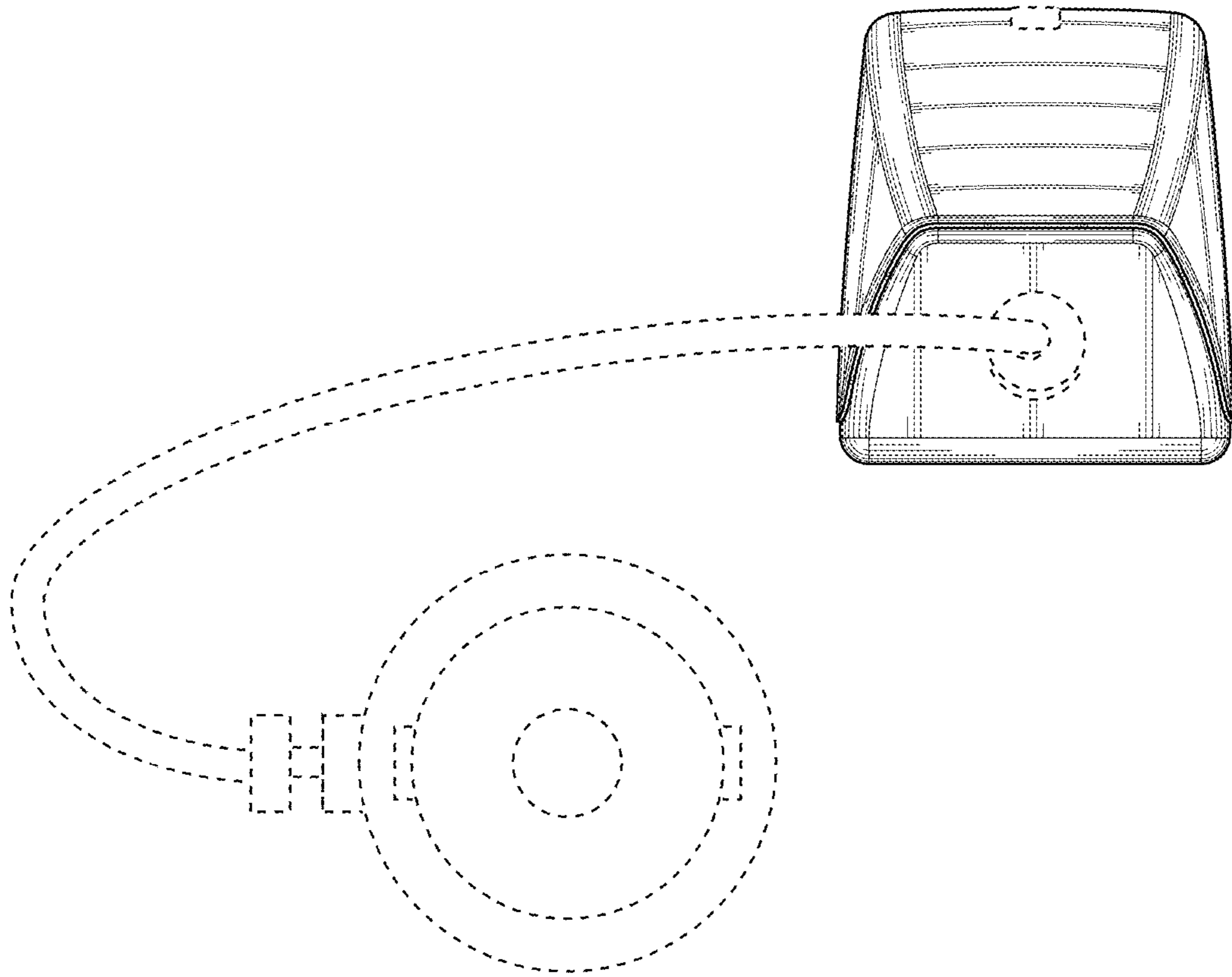


FIG. 3

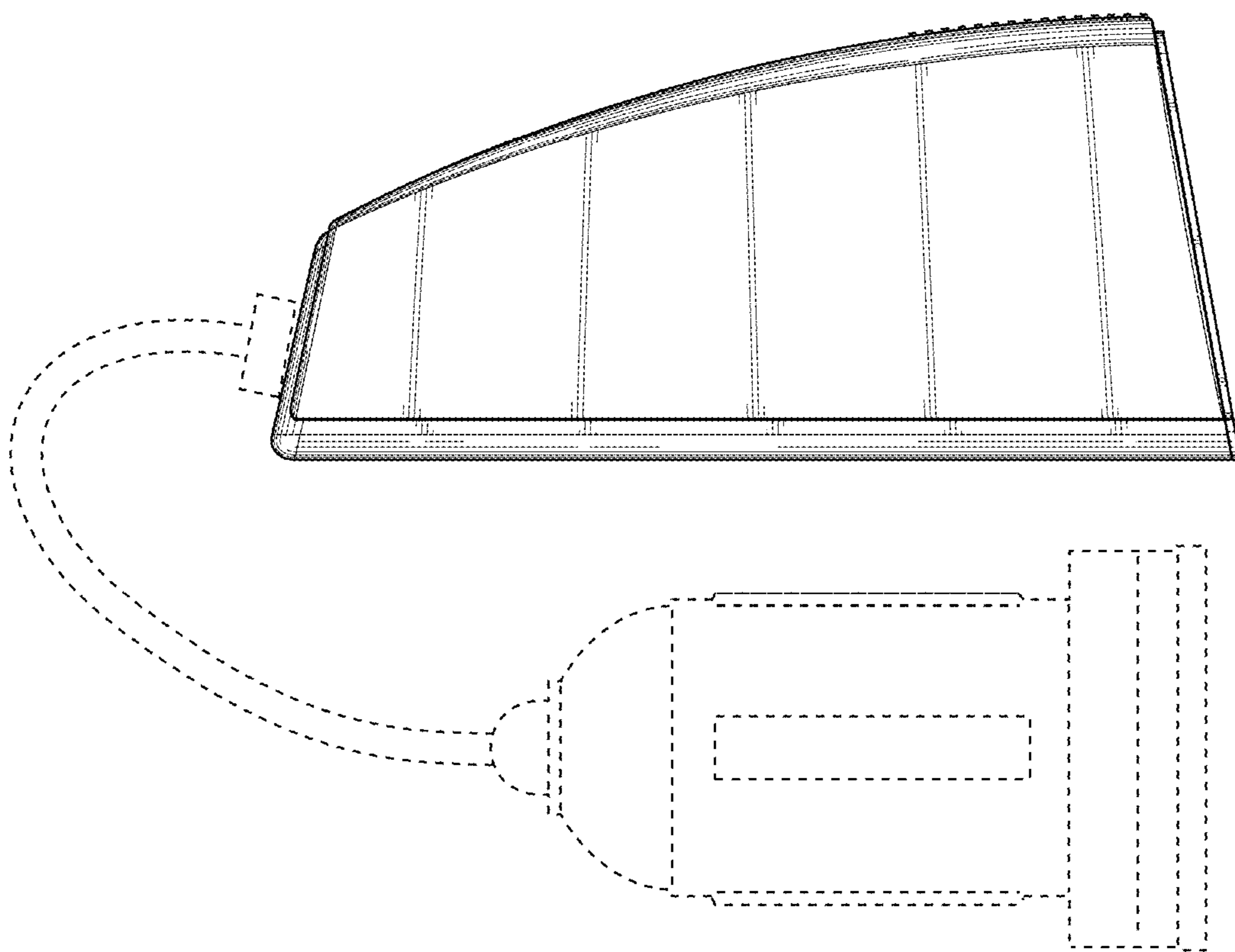


FIG. 4

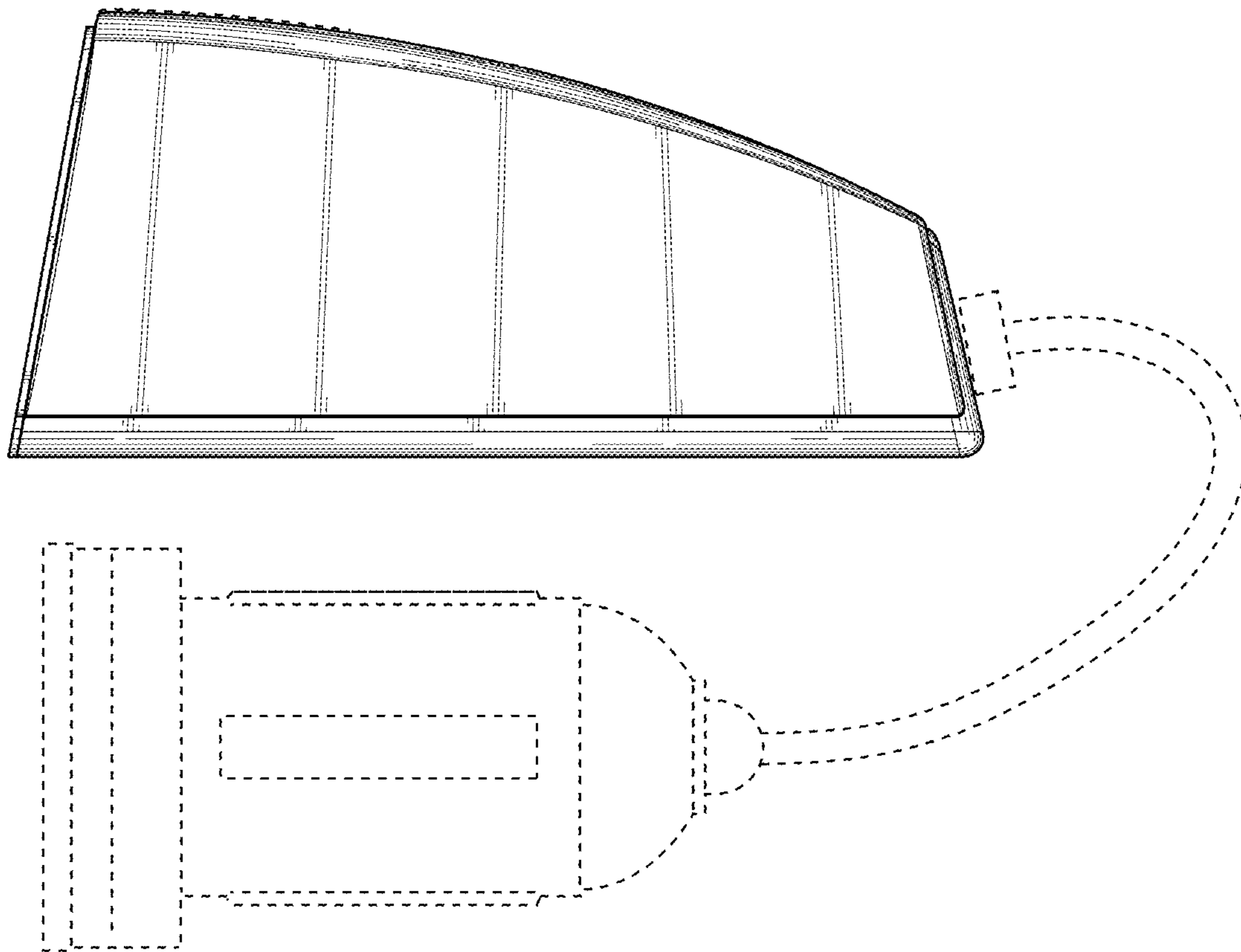


FIG. 5

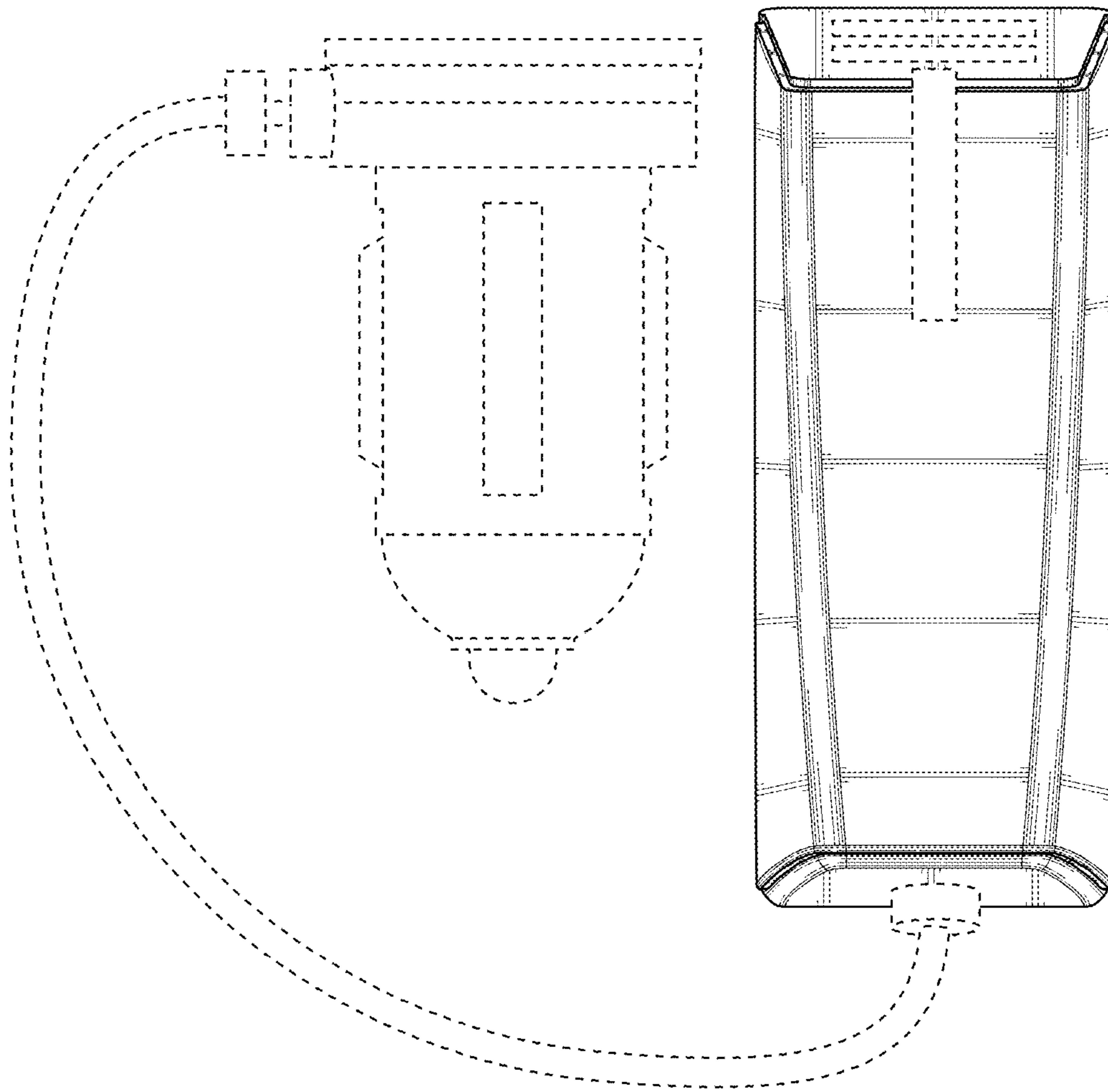


FIG. 6

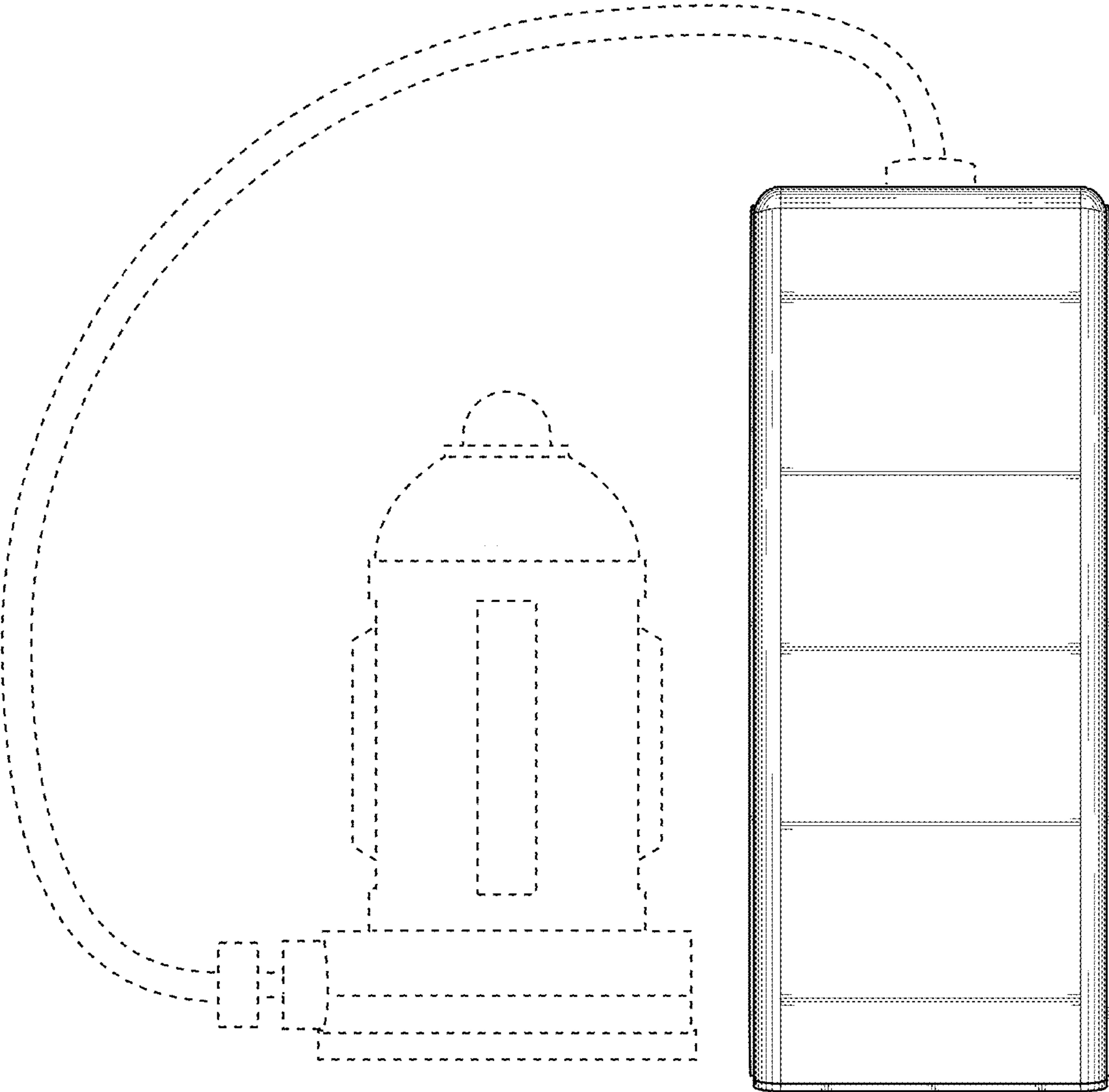


FIG. 7