



US00D769816S

(12) **United States Design Patent**  
**Esses**

(10) **Patent No.:** **US D769,816 S**  
(45) **Date of Patent:** **\*\* Oct. 25, 2016**

(54) **CHARGING DEVICE**  
(71) Applicant: **Premier Accessory Group LLC**,  
Edison, NJ (US)  
(72) Inventor: **Alfred Esses**, Brooklyn, NY (US)  
(73) Assignee: **PREMIER ACCESSORY GROUP**  
**LLC**, Edison, NJ (US)  
(\*\*) Term: **15 Years**

D368,328 S \* 3/1996 Wacker ..... D28/85  
D501,279 S \* 1/2005 Dittmer ..... D28/85  
D525,201 S \* 7/2006 Navarrez ..... D13/107  
D575,729 S \* 8/2008 Nomi ..... D13/107  
D579,880 S \* 11/2008 Birmingham ..... D13/133  
D624,495 S 9/2010 Shum et al.  
D644,108 S \* 8/2011 Vila Calvo ..... D9/529  
D657,310 S \* 4/2012 Fahrendorff ..... D13/110  
8,148,940 B2 4/2012 Liu  
D660,798 S \* 5/2012 Tseng ..... D13/110  
D661,248 S \* 6/2012 Fahrendorff ..... D13/107  
D665,734 S \* 8/2012 Fitch ..... D13/107

(Continued)

(21) Appl. No.: **29/564,219**

(22) Filed: **May 11, 2016**

**Related U.S. Application Data**

(63) Continuation-in-part of application No. 29/551,620,  
filed on Jan. 14, 2016.

(51) **LOC (10) Cl.** ..... **13-02**

(52) **U.S. Cl.**  
USPC ..... **D13/107**

(58) **Field of Classification Search**

USPC ..... D13/107-110, 118-119, 133, 144, 184;  
D14/155, 251, 253, 432, 434; D28/85  
CPC ..... Y02E 60/12; Y02T 90/14; Y02T 90/122;  
Y02T 90/128; Y02T 90/163; H02J 7/025;  
H02J 7/0042; H02J 7/0044; H02J 7/0045;  
H02J 7/0003; H02J 7/0054; H02J 7/0055;  
H02J 7/0057; H01F 38/14; H01M 2/1022;  
H01M 2/1055; H01M 10/44; H01M 10/46;  
H01M 10/425; H01R 13/70; H01R 13/71;  
H01R 13/66; H01R 13/6675; H01R 2201/26;  
H05K 11/02; B60L 11/182

See application file for complete search history.

(56) **References Cited**

**U.S. PATENT DOCUMENTS**

D262,152 S \* 12/1981 Holloway ..... D28/85  
D297,518 S \* 9/1988 Yuen ..... D10/106.1

**FOREIGN PATENT DOCUMENTS**

DK 199700574 S 7/1997  
KR 3003993050000 S 11/2005

*Primary Examiner* — Rosemary K Tarcza

*Assistant Examiner* — Nathaniel D Buckner

(74) *Attorney, Agent, or Firm* — Gottlieb, Rackman &  
Reisman, PC

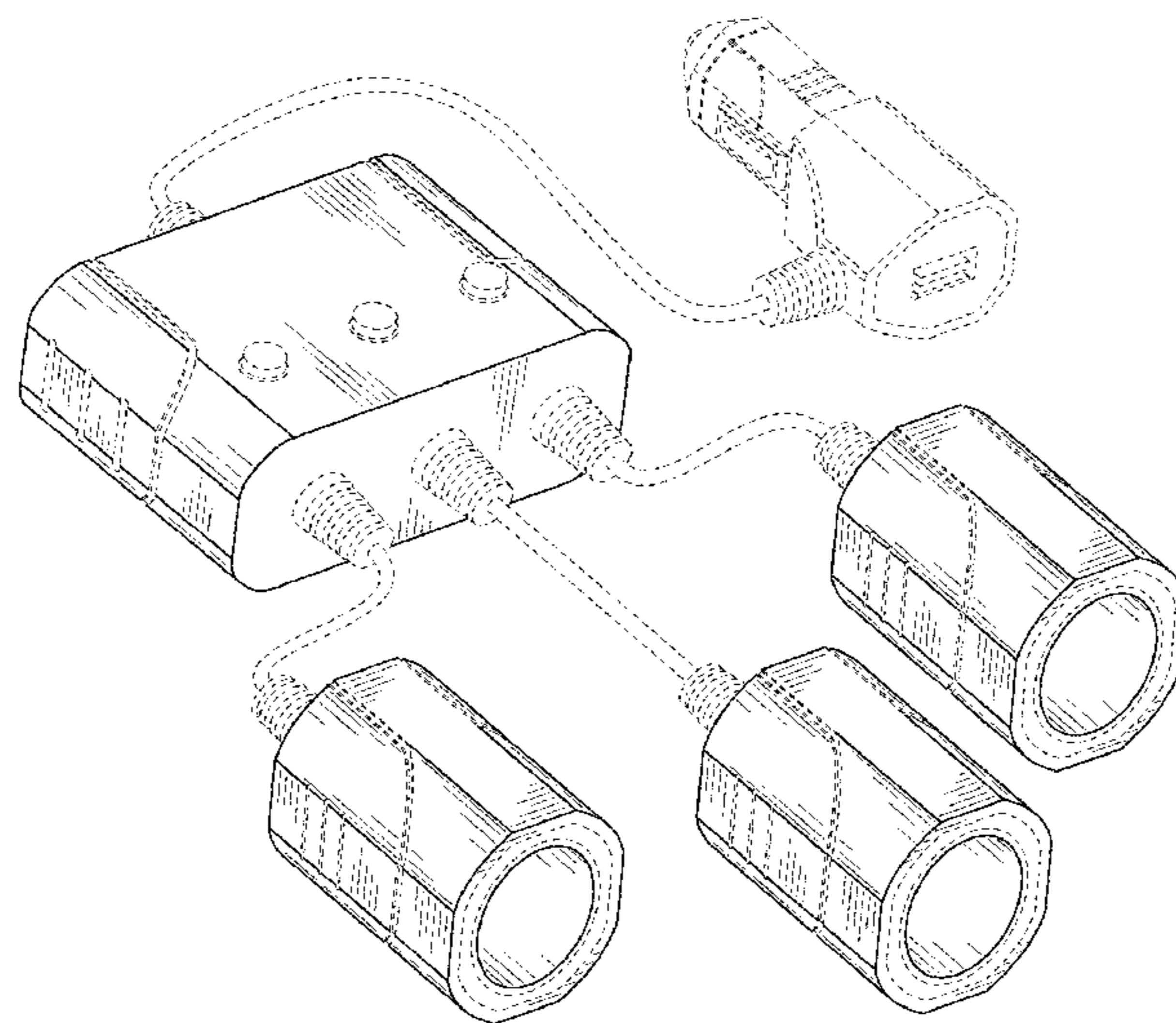
(57) **CLAIM**

The ornamental design for a charging device, as shown and  
described.

**DESCRIPTION**

FIG. 1 is a first perspective view of a charging device  
showing my new design;  
FIG. 2 is a top view thereof;  
FIG. 3 is a bottom view thereof;  
FIG. 4 is a first side view thereof;  
FIG. 5 is a second side view thereof;  
FIG. 6 is a rear view thereof;  
FIG. 7 is a front view thereof; and,  
FIG. 8 is a second perspective view thereof.  
The broken lines shown in the drawings are included for the  
purpose of illustrating portions of the article that form no  
part of the claimed design.

**1 Claim, 8 Drawing Sheets**



# US D769,816 S

Page 2

(56)

## References Cited

### U.S. PATENT DOCUMENTS

D677,623 S *	3/2013	Fitch	.....	D13/108	D732,023 S *	6/2015	Asao	.....	D14/358
D679,451 S *	4/2013	Dittmer	.....	D28/85	D738,302 S *	9/2015	Jeong	.....	D13/108
D701,838 S *	4/2014	Esses	.....	D13/108	D740,751 S *	10/2015	Akana	.....	D13/110
D704,639 S	5/2014	Alesi et al.			D746,227 S *	12/2015	Lemire-Elmore	.....	D13/107
D728,471 S *	5/2015	Alesi	.....	D13/110	D747,544 S *	1/2016	Taha	.....	D27/163
					D749,506 S *	2/2016	Morgan	.....	D13/108
					2012/0081067 A1	4/2012	Burrell, IV		

\* cited by examiner

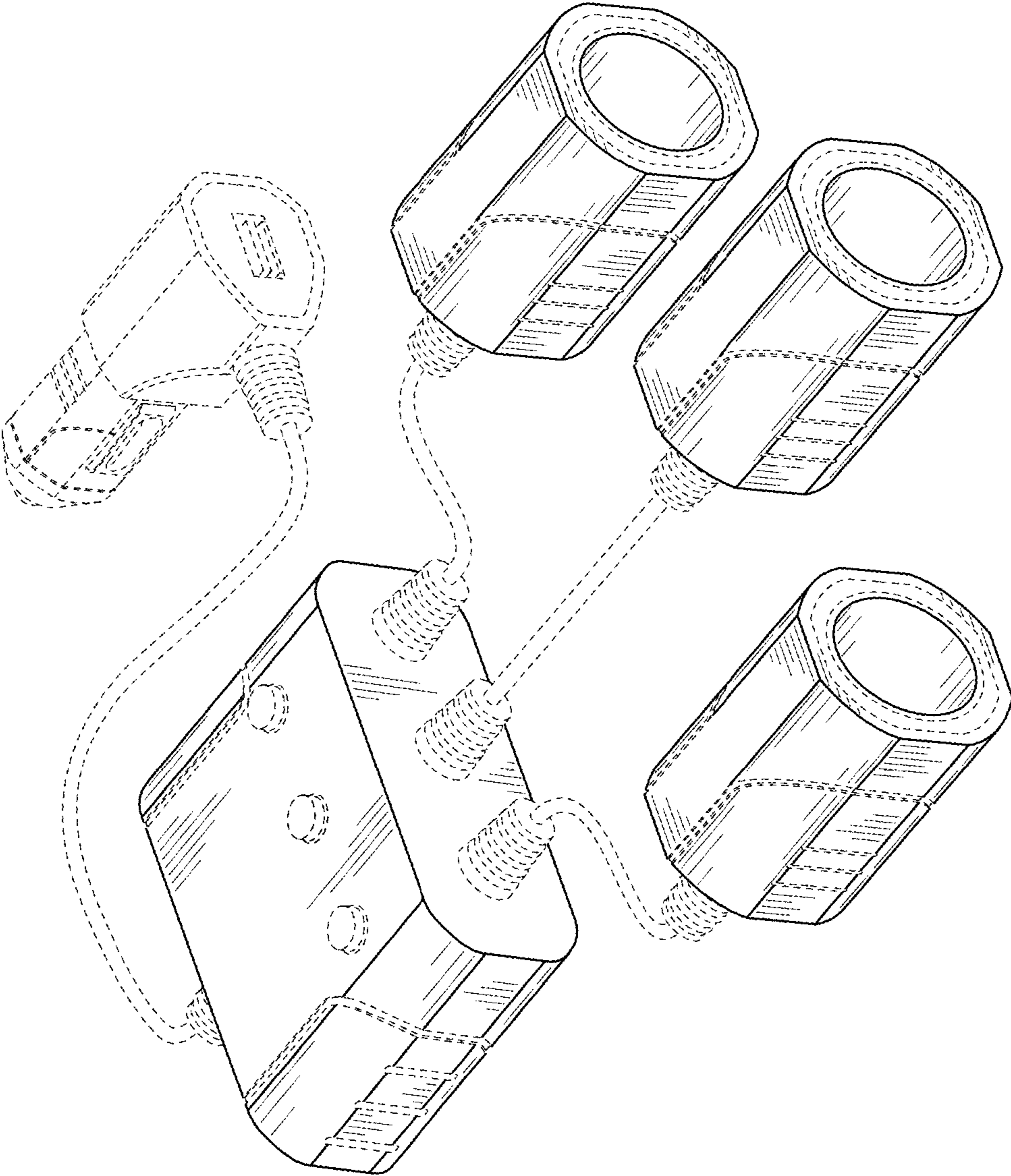


FIG. 1

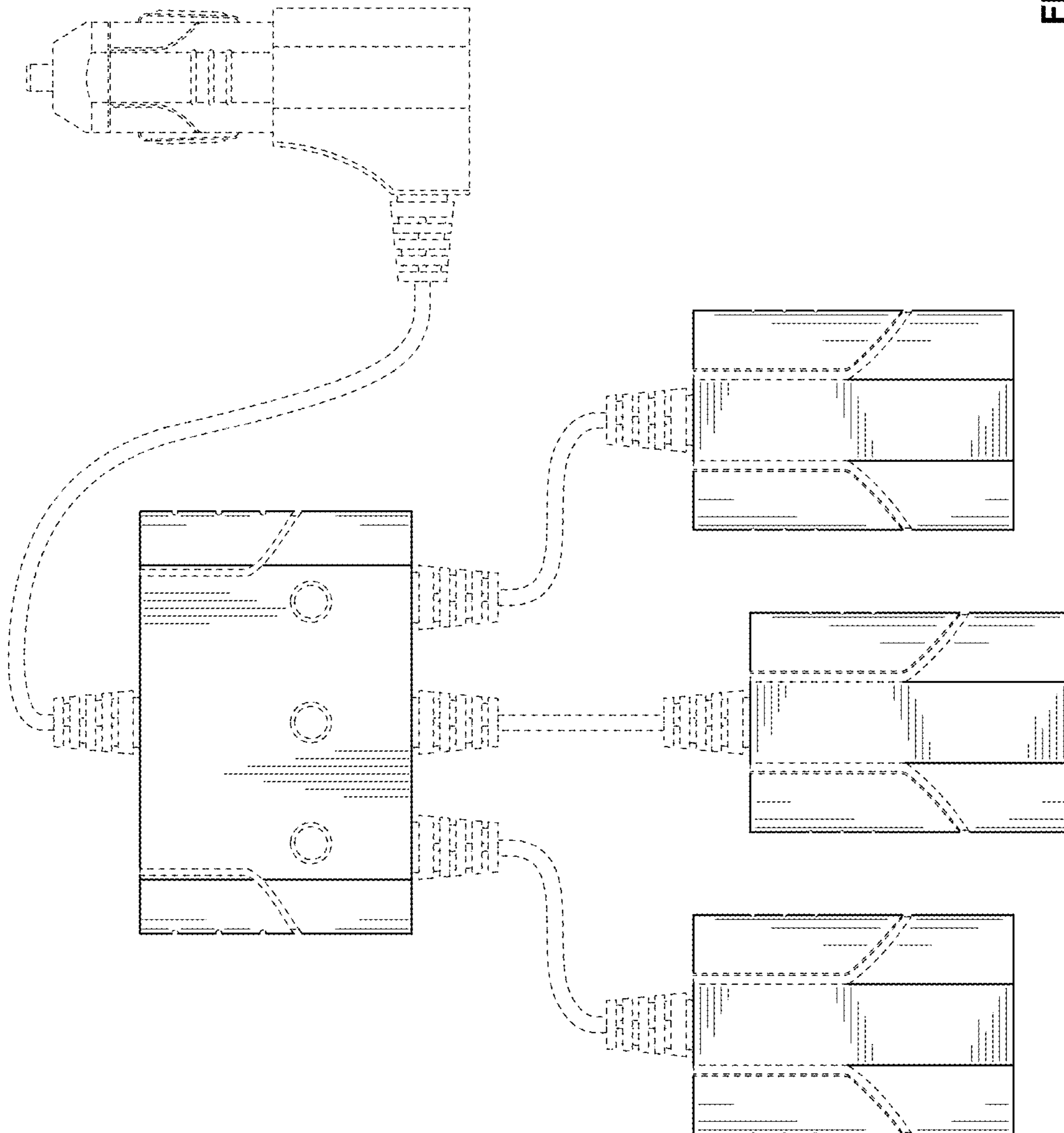


FIG. 2

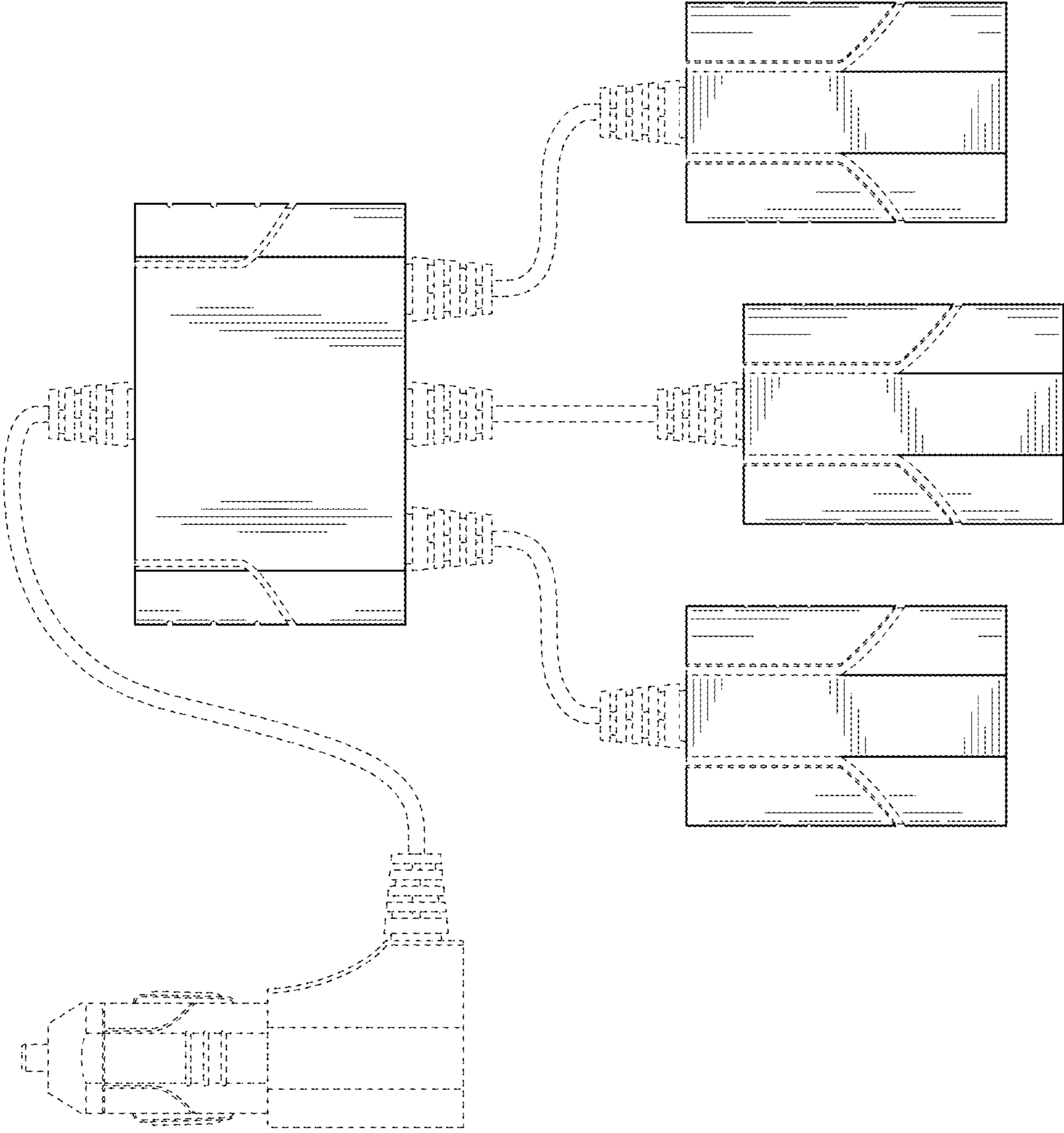


FIG. 3

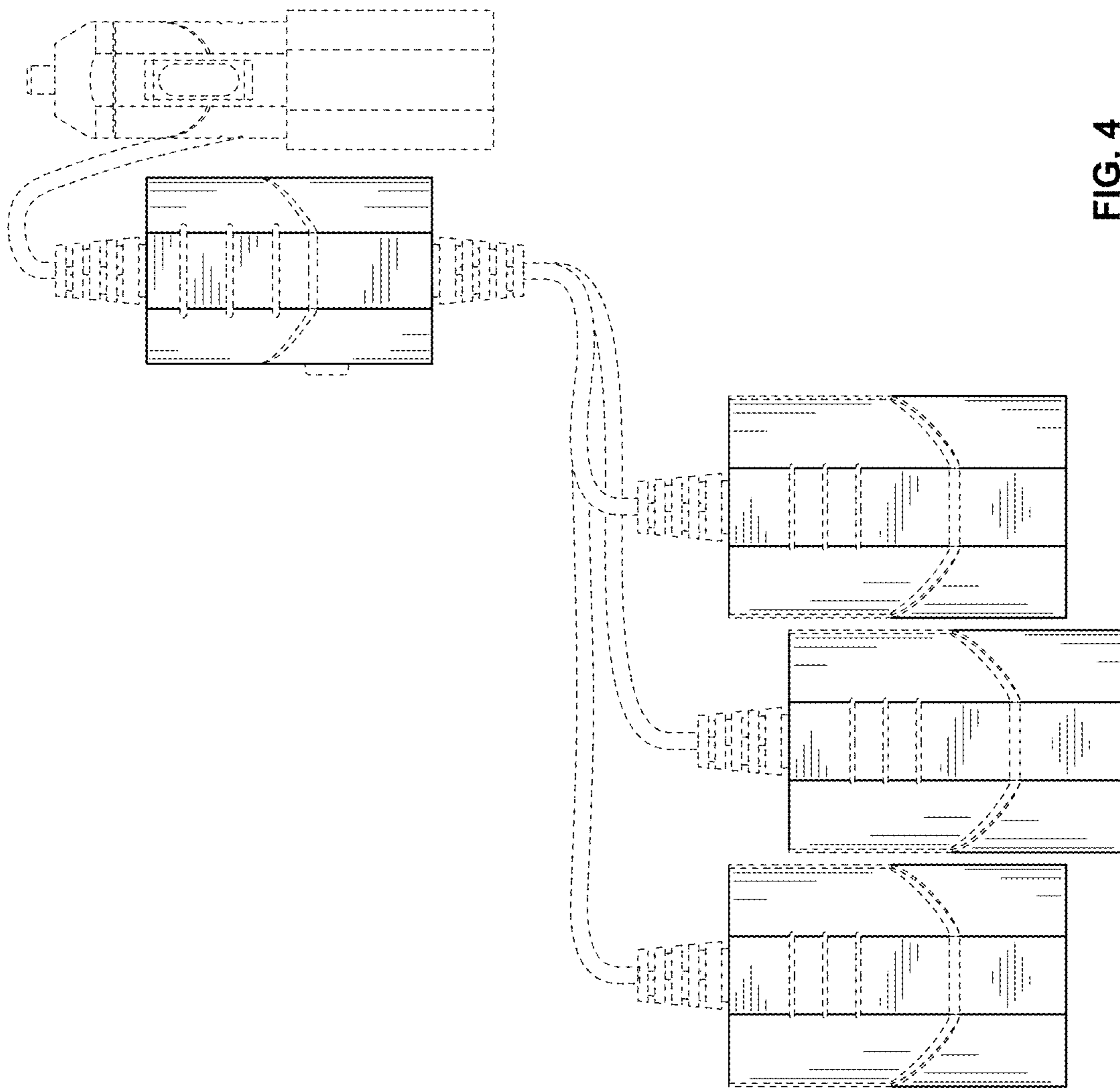


FIG. 4

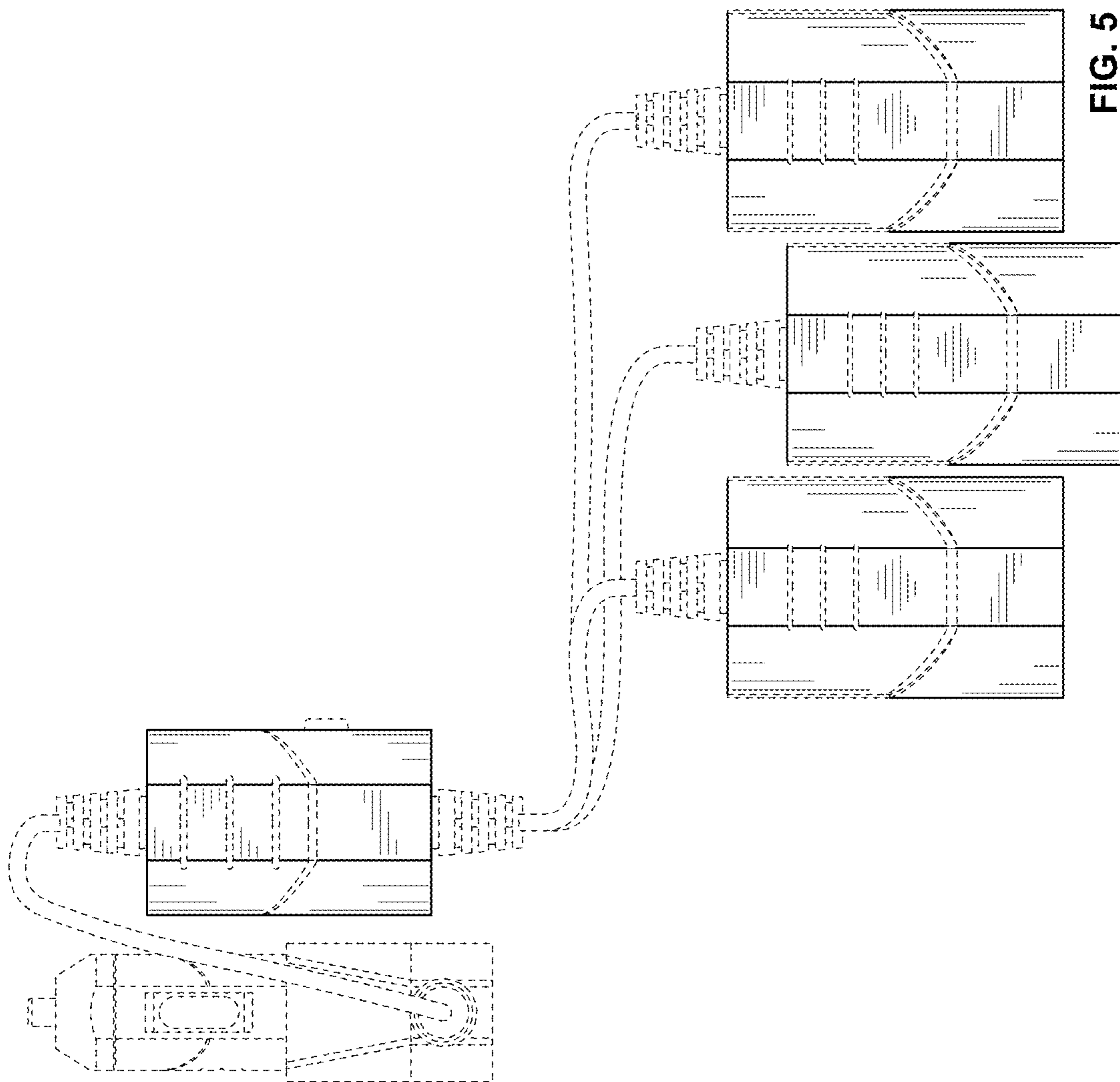


FIG. 5

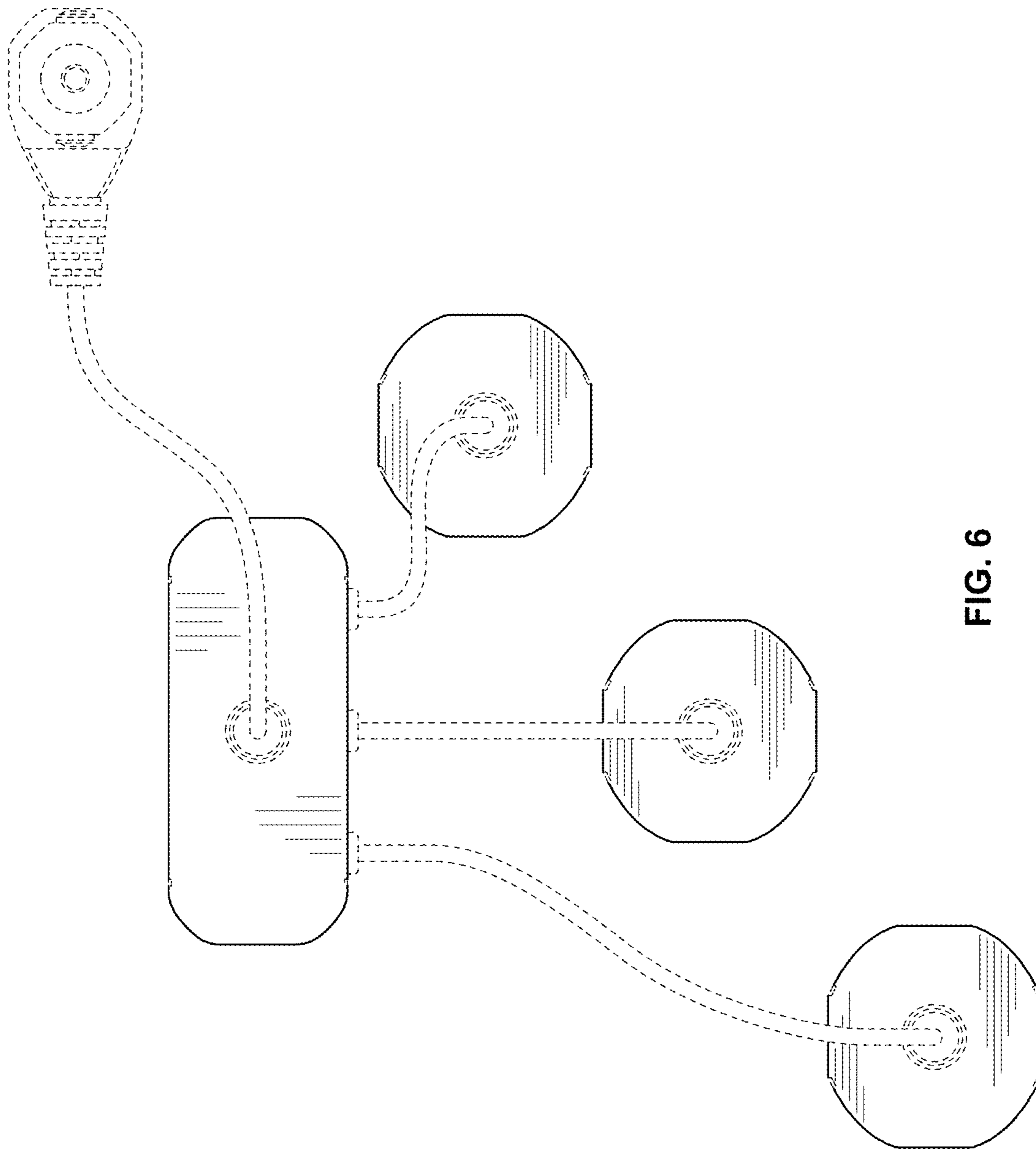


FIG. 6



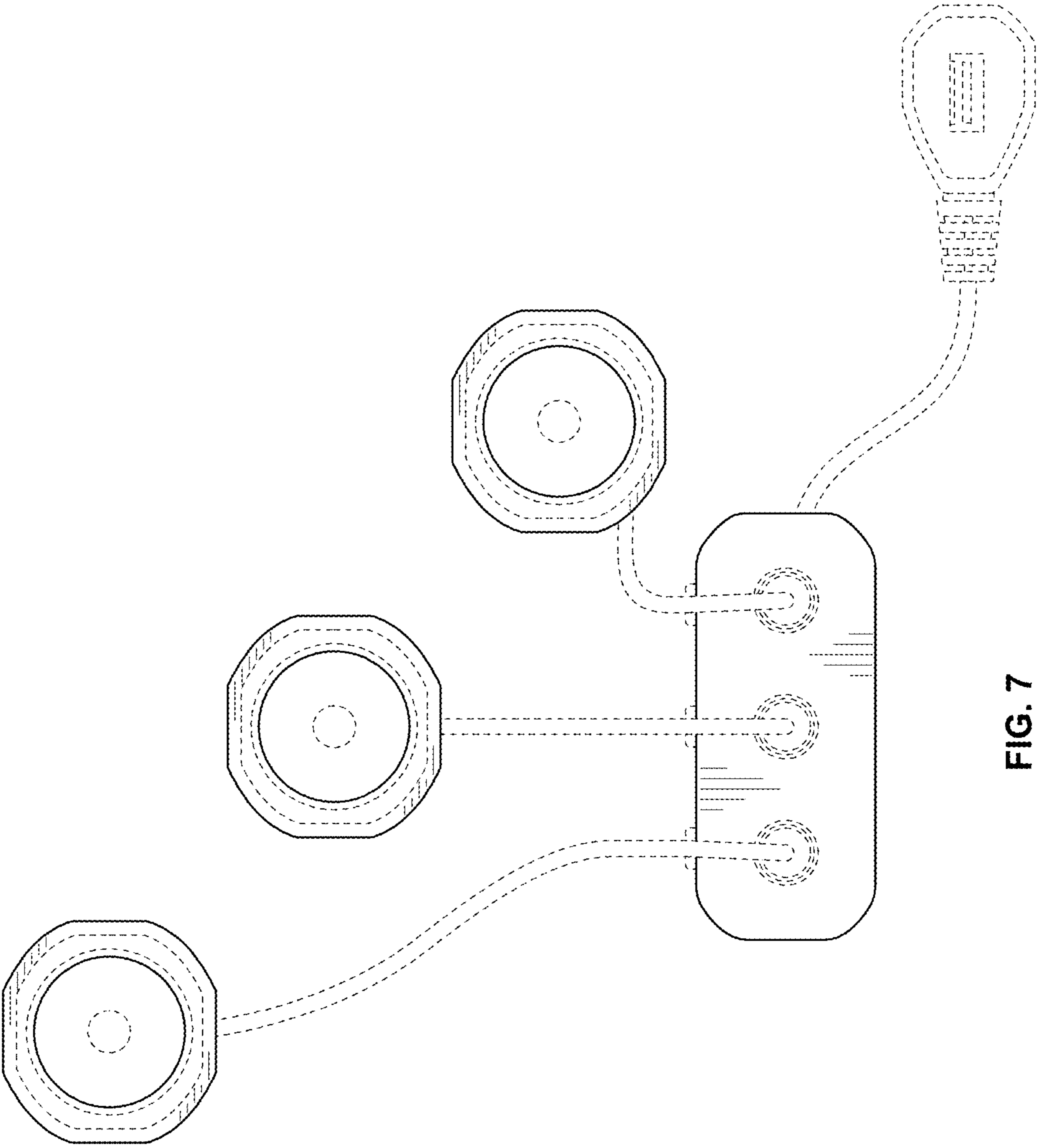


FIG. 7

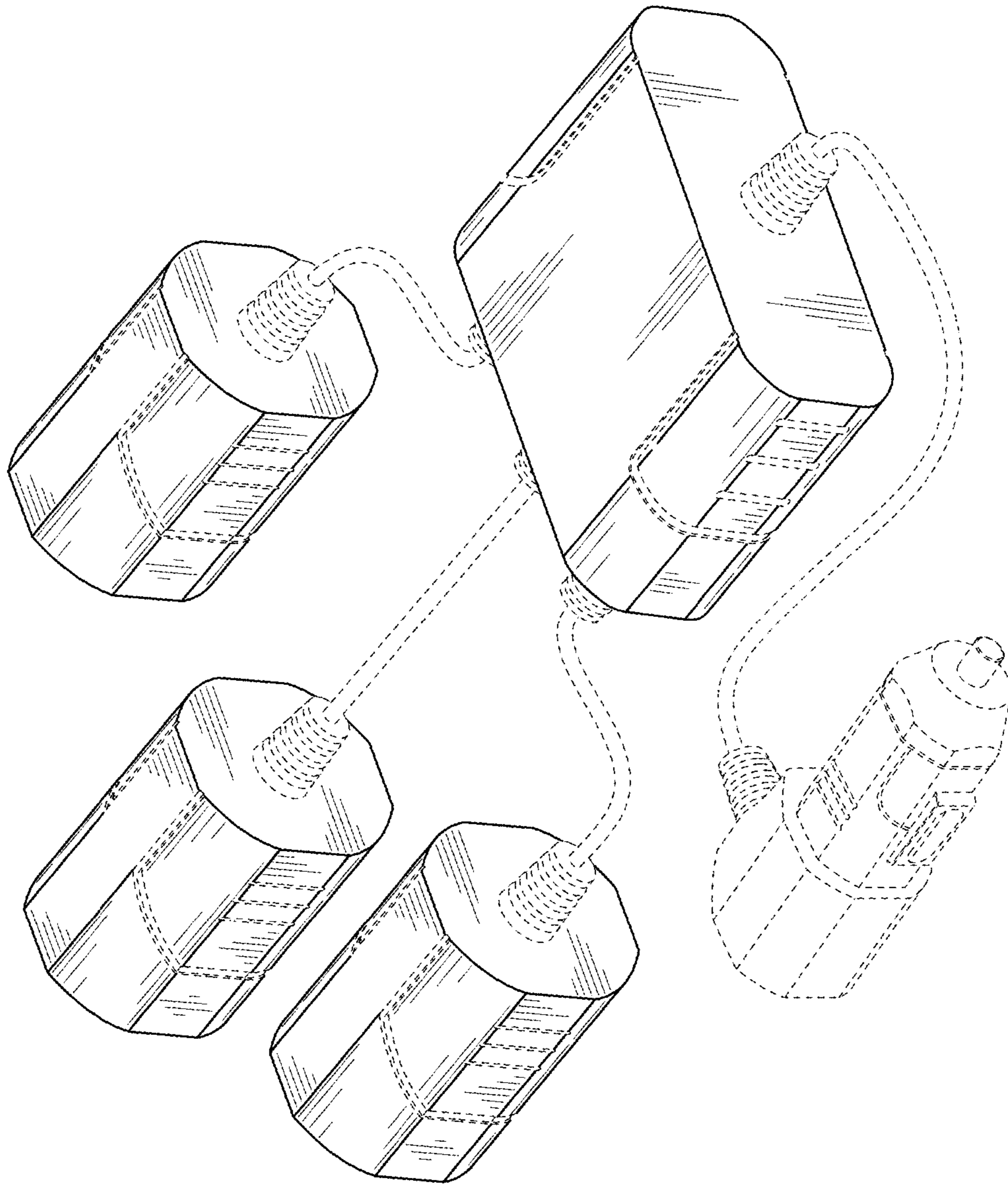


FIG. 8