

US00D769815S

(12) **United States Design Patent** (10) **Patent No.:** **US D769,815 S**  
**Ohno** (45) **Date of Patent:** **\*\* Oct. 25, 2016**

(54) **BATTERY CHARGER FOR X-RAY DIGITAL IMAGING DEVICE**

FOREIGN PATENT DOCUMENTS

(71) Applicant: **FUJIFILM Corporation**, Tokyo (JP)

EM 002601955-0001 \* 12/2014  
JP D1513021 \* 6/2014

(72) Inventor: **Hirotohi Ohno**, Ashigarakami-gun (JP)

OTHER PUBLICATIONS

(73) Assignee: **FUJIFILM Corporation**, Tokyo (JP)

“FDR D-EVO II” Accessed: Jan. 11, 2016. Fujifilm. <http://www.fujifilmusa.com/products/medical/digital-x-ray/dr-detectors/FDR-D-EVO-II/#product-images>.\*

(\*\*) Term: **14 Years**

(Continued)

(21) Appl. No.: **29/512,367**

(22) Filed: **Dec. 18, 2014**

*Primary Examiner* — Manpreet Matharu

*Assistant Examiner* — Suzanne Tisdell

(30) **Foreign Application Priority Data**

(74) *Attorney, Agent, or Firm* — Sughrue Mion, PLLC

Jun. 27, 2014 (JP) ..... 2014-014209

(51) **LOC (10) Cl.** ..... **13-02**

(52) **U.S. Cl.**  
USPC ..... **D13/107**

(58) **Field of Classification Search**  
USPC ..... D13/107, 108, 110, 118, 119, 184, 199;  
D14/251, 432, 434; 320/107, 108, 109,  
320/110, 111, 112, 113, 114, 115  
CPC ..... H02J 7/0042; H02J 7/0044; H02J 7/0047  
See application file for complete search history.

(57) **CLAIM**

The ornamental design for a battery charger for X-ray digital imaging device, as shown and described.

(56) **References Cited**

**DESCRIPTION**

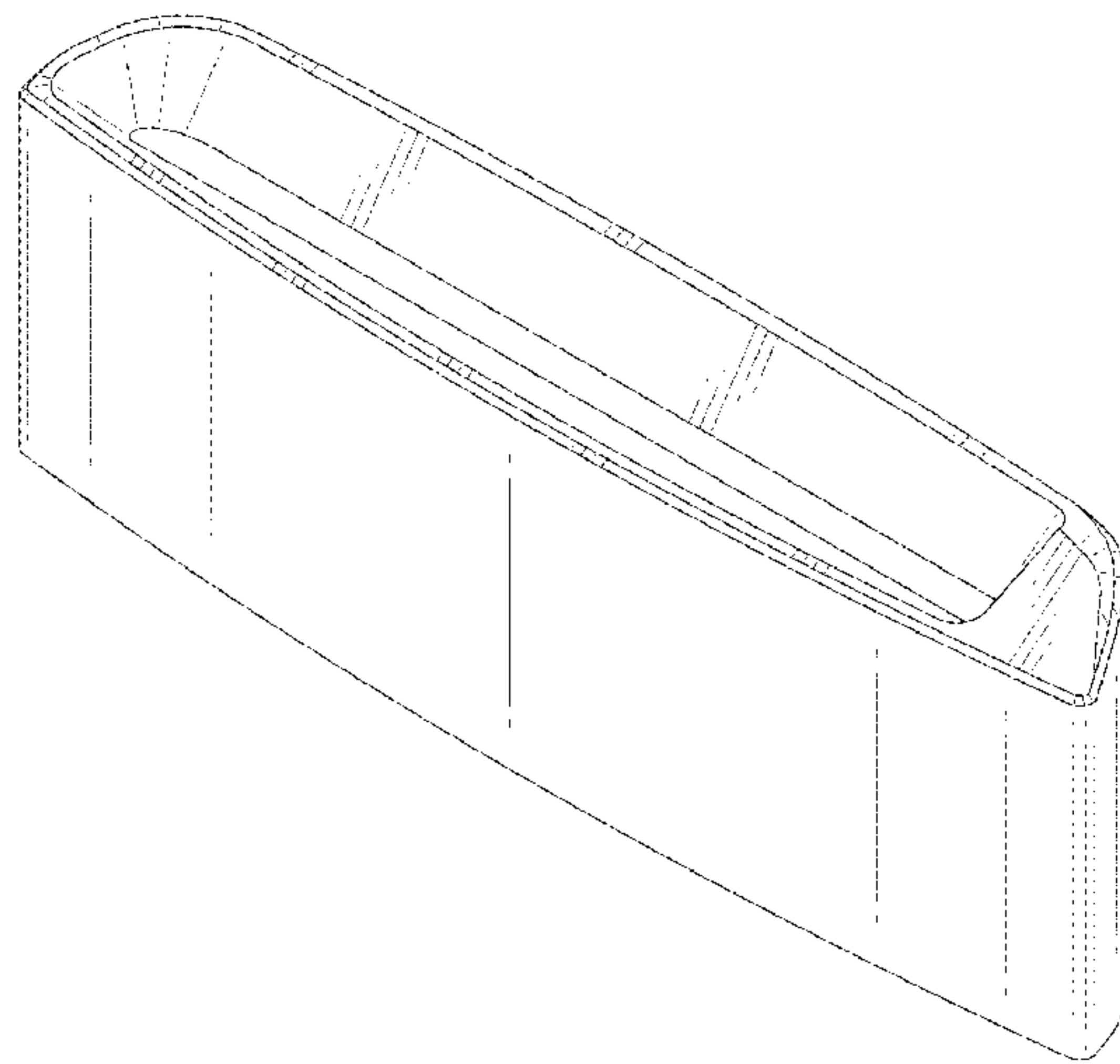
U.S. PATENT DOCUMENTS

D351,133 S \* 10/1994 Jungels-Butler ..... D13/108  
D369,343 S \* 4/1996 Bliven ..... D13/108  
D375,936 S \* 11/1996 Palatov ..... D13/108  
D388,764 S \* 1/1998 Bartling ..... D13/107  
D401,552 S \* 11/1998 Tanaka ..... D13/107  
D402,258 S \* 12/1998 Kawakami ..... D13/107  
D411,166 S \* 6/1999 Uemura ..... D13/107  
D427,143 S \* 6/2000 Kulberg ..... D13/103  
D512,686 S \* 12/2005 Langley ..... D13/107  
D532,365 S \* 11/2006 Shen ..... D13/107  
D535,612 S \* 1/2007 Chien ..... D13/107  
D568,809 S \* 5/2008 Izumo ..... D13/108

FIG. 1 is a top, front and left side perspective view of a battery charger for X-ray digital imaging device showing my new design;  
FIG. 2 is a front elevational view thereof;  
FIG. 3 is a rear elevational view thereof;  
FIG. 4 is a top plan view thereof;  
FIG. 5 is a bottom plan view thereof;  
FIG. 6 is a left side elevational view thereof;  
FIG. 7 is a right side elevational view thereof;  
FIG. 8 is an enlarged partial cross-sectional view of a portion taken along lines VIII-VIII of FIG. 2, in which internal structure thereof is omitted; and,  
FIG. 9 is a top, front and left side perspective view thereof in a manner of use, to which an X-ray digital imaging device is connected.  
The broken lines in FIGS. 3 and 9 depict environment that forms no part of the claimed design.

(Continued)

**1 Claim, 8 Drawing Sheets**



(56)

**References Cited**

U.S. PATENT DOCUMENTS

D634,270 S \* 3/2011 Brickstad ..... D13/108  
 D654,019 S \* 2/2012 Ikegame ..... D13/108  
 D656,930 S \* 4/2012 Son ..... D14/253  
 D664,529 S \* 7/2012 Chuang ..... D13/108  
 D669,851 S \* 10/2012 Ikegame ..... D13/108  
 D680,066 S \* 4/2013 Kinoshita ..... D13/107  
 D701,830 S \* 4/2014 Edwards ..... D13/107  
 D707,625 S \* 6/2014 Ibuki ..... D13/108  
 D709,447 S \* 7/2014 Ibuki ..... D13/108  
 8,773,067 B2 \* 7/2014 Chen ..... H01M 2/1066  
 320/114  
 2012/0086391 A1 \* 4/2012 Smith ..... H02J 7/0044  
 320/107  
 2013/0271067 A1 \* 10/2013 Yu ..... H02J 7/0044  
 320/107  
 2014/0232341 A1 \* 8/2014 Ikegami ..... H02J 7/0044  
 320/111

2014/0320066 A1 \* 10/2014 Huang ..... H02J 7/0042  
 320/107  
 2014/0375248 A1 \* 12/2014 Takahashi ..... H02J 7/0044  
 320/107  
 2015/0333549 A1 \* 11/2015 Koshiishi ..... H02J 7/0047  
 320/115

OTHER PUBLICATIONS

“FDR D-EVO II C35” Accessed: Jan. 11, 2016. Fujifilm. [http://www.fujifilm.com/products/medical/digital\\_radiography/fdr\\_devo\\_ii\\_c35/#specifications](http://www.fujifilm.com/products/medical/digital_radiography/fdr_devo_ii_c35/#specifications).  
 “Fujifilm FDR D-EVO II C35” Posted: 2015. Radiologie forum. [http://www.radiologieforum.de/marktplatz/marktplatz\\_anzeige,788,Fujifilm-FDR-D-EVO-II-C35.htm](http://www.radiologieforum.de/marktplatz/marktplatz_anzeige,788,Fujifilm-FDR-D-EVO-II-C35.htm).  
 “Medical Equipment [FDR D-EVO II Series]” Posted: 2015. Red Dot Design Award. <http://design.fujifilm.com/en/awards-red-dotdesign/>.

\* cited by examiner

FIG. 1

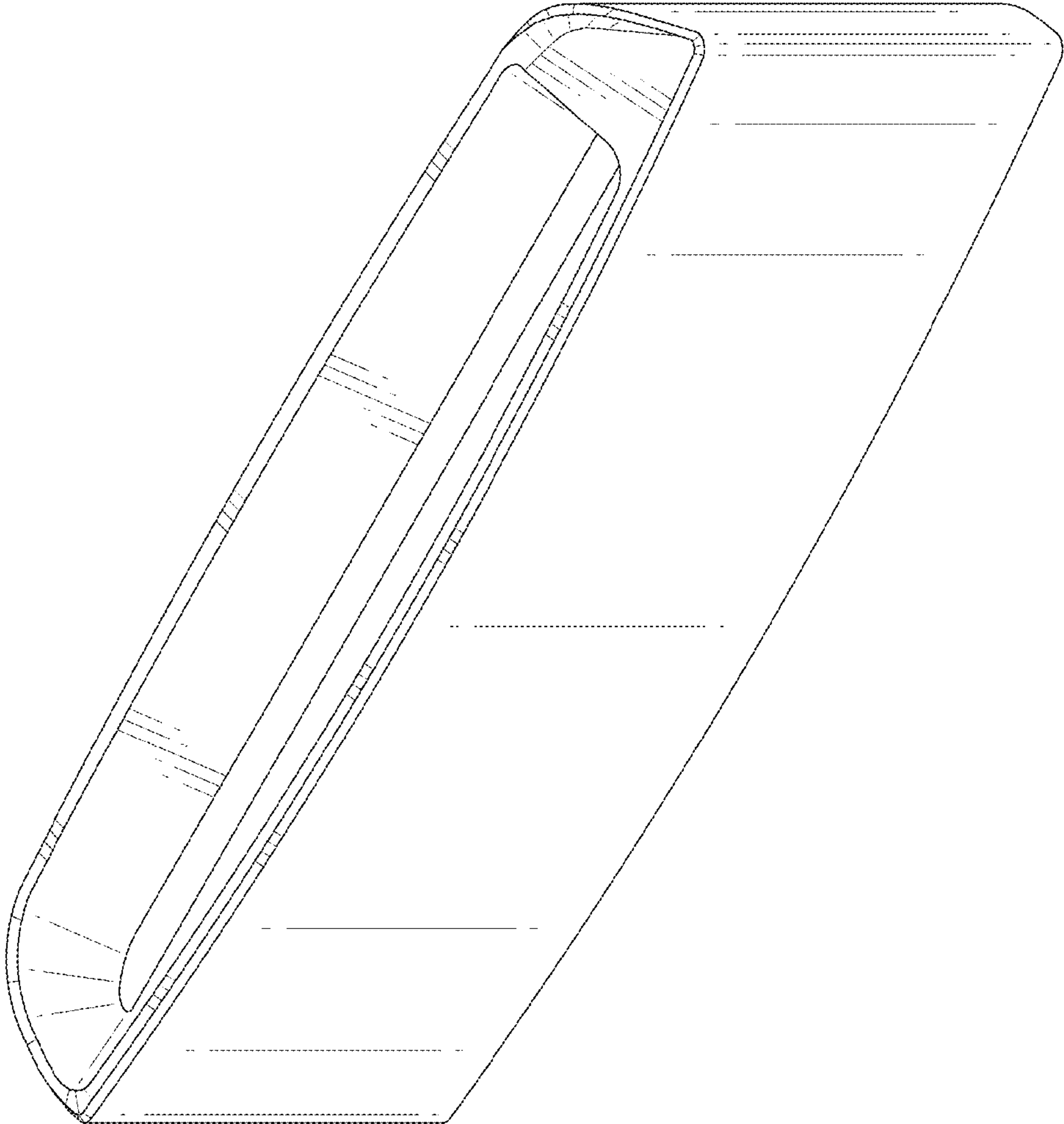


FIG. 2

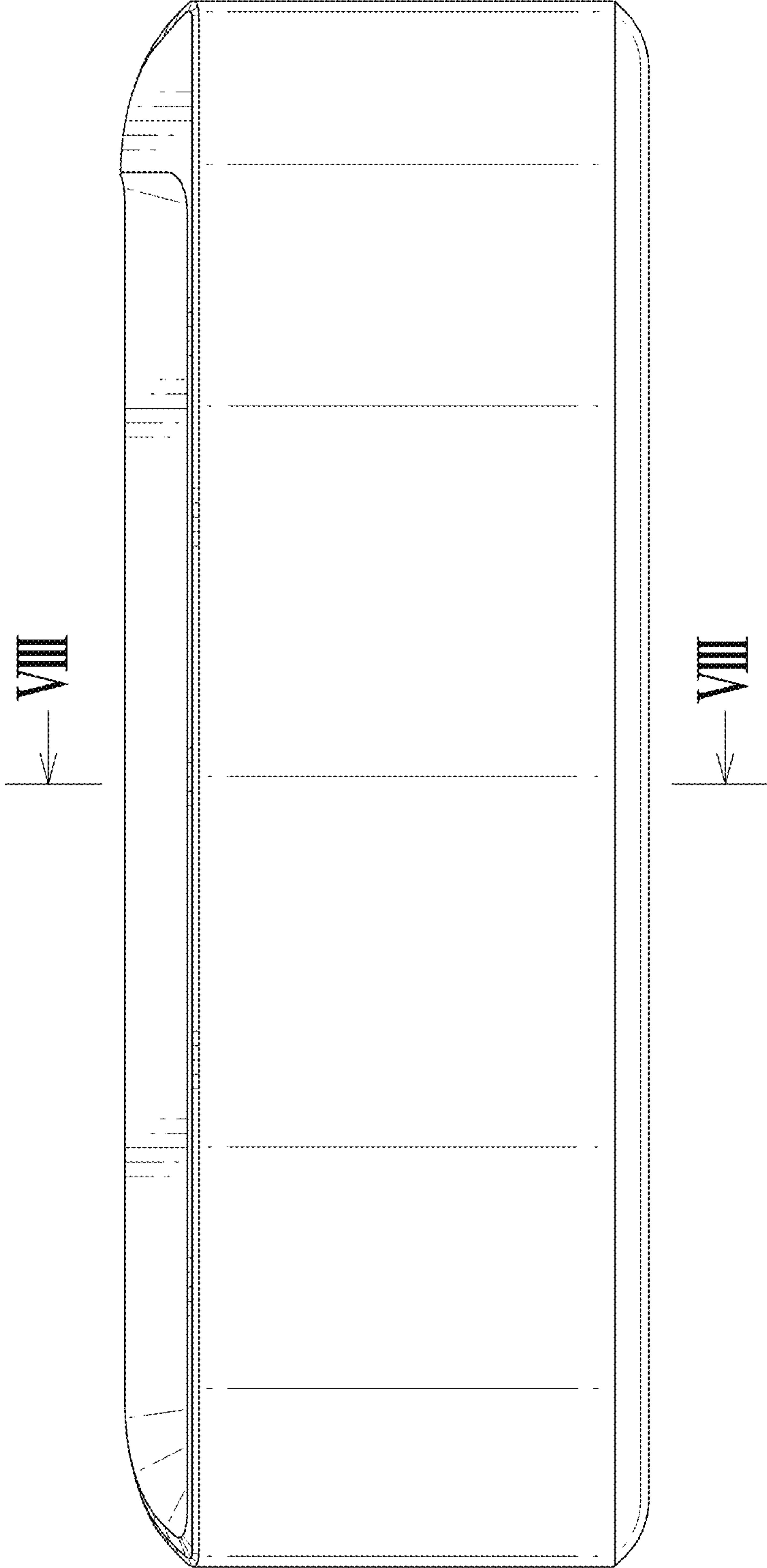


FIG. 3

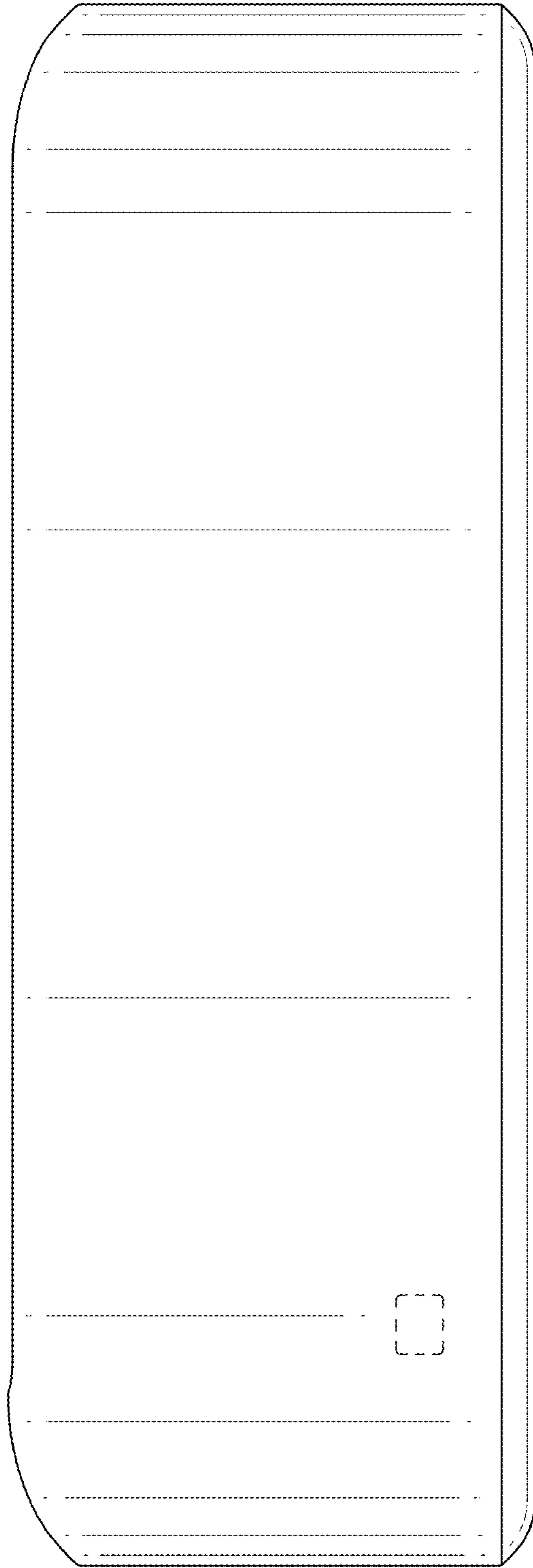


FIG. 4

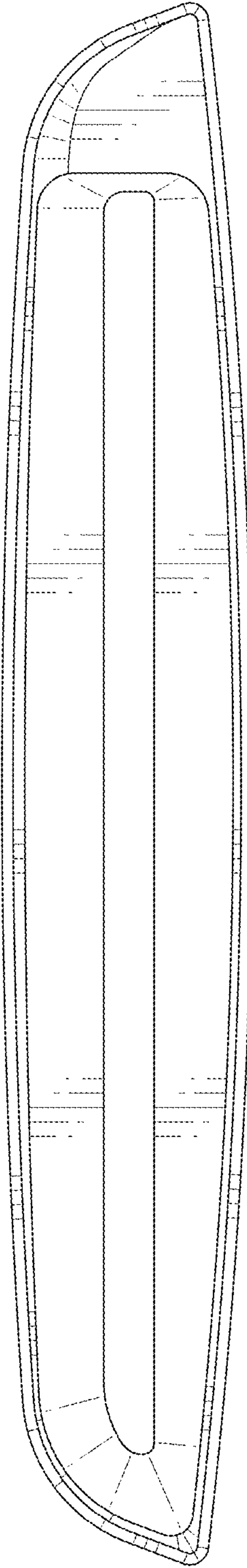




FIG. 5

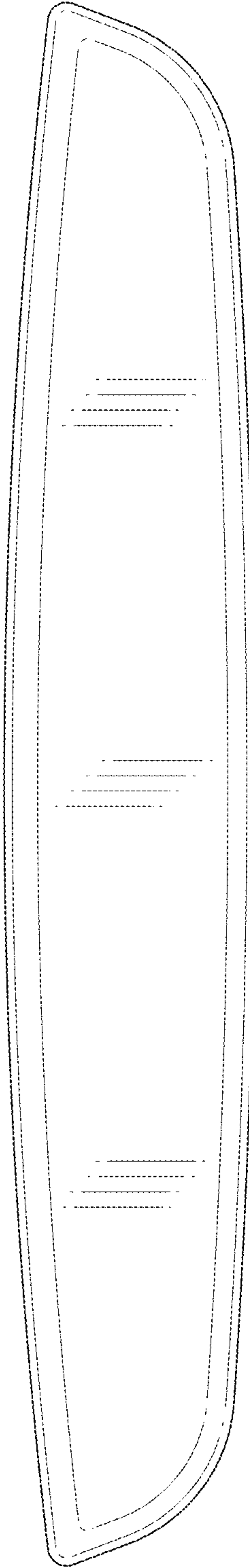


FIG. 6

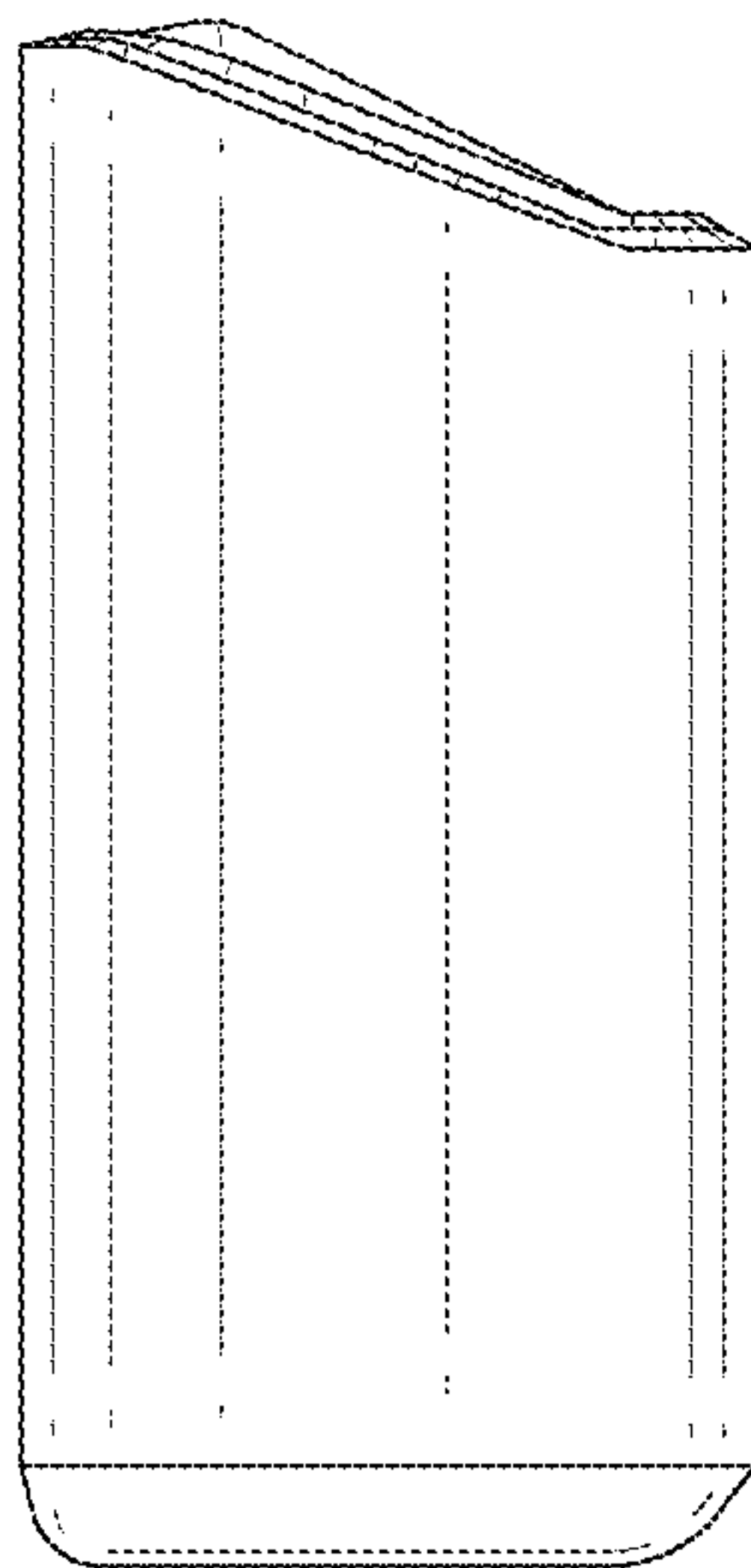


FIG. 7

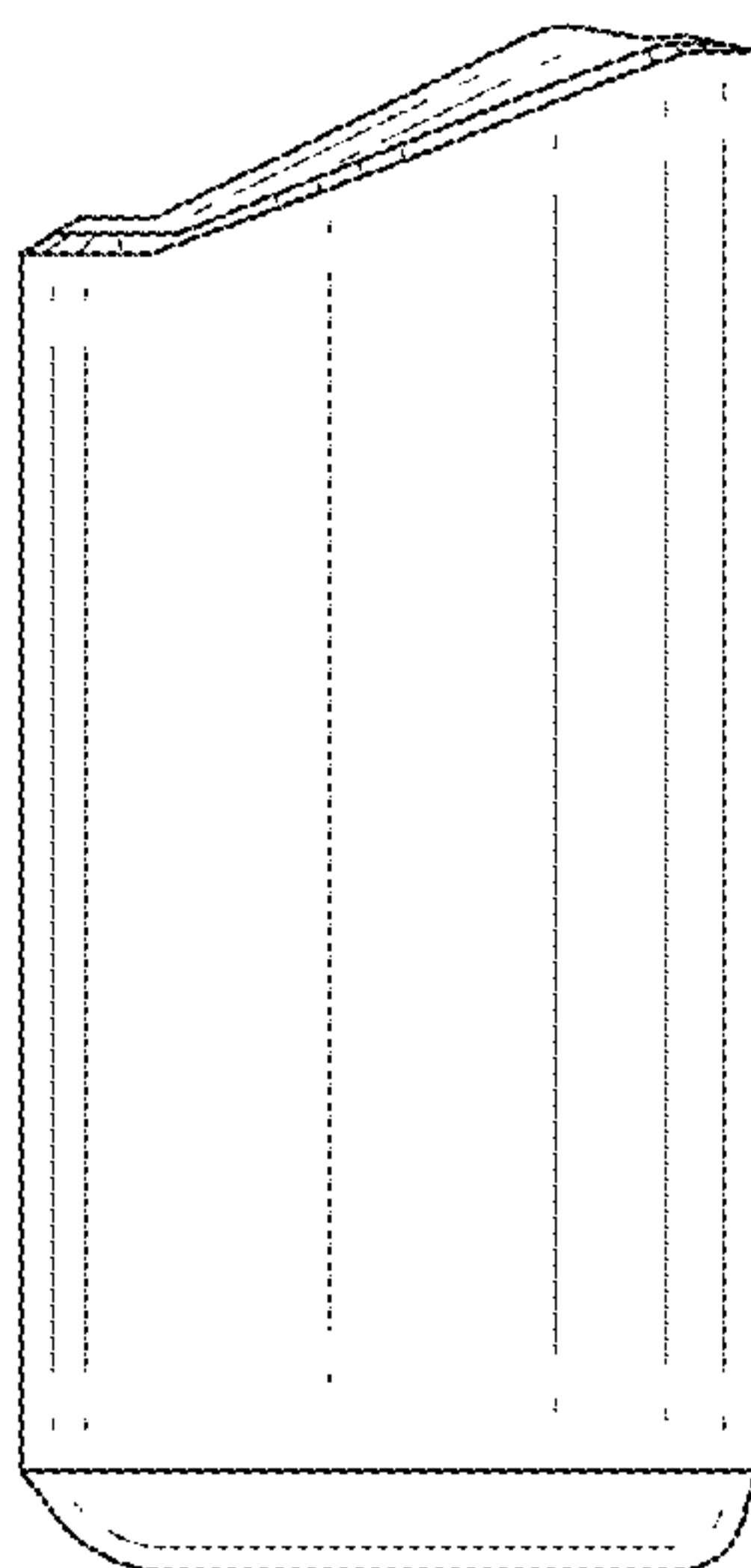




FIG. 8

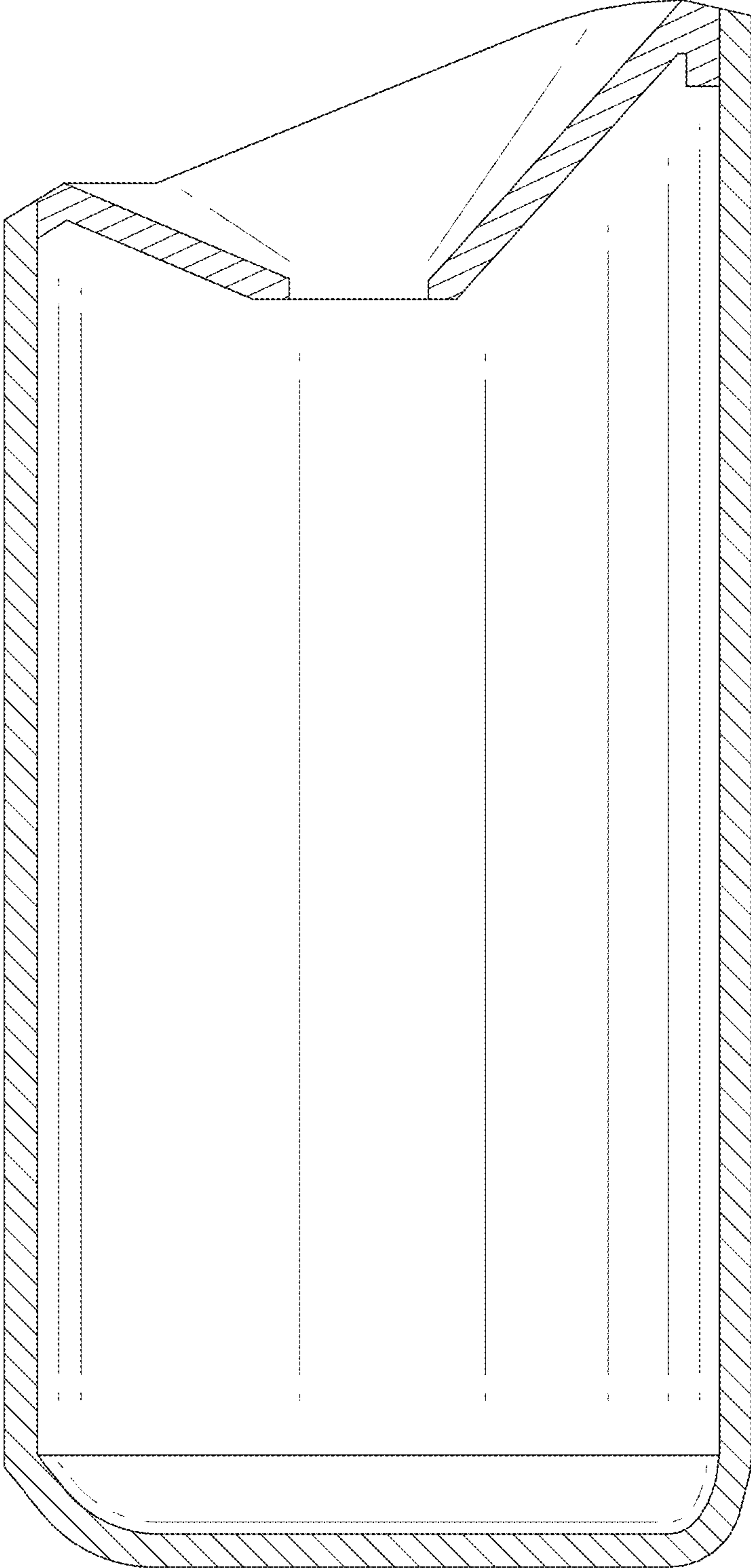


FIG. 9

