



US00D769809S

(12) **United States Design Patent**  
**Daily et al.**

(10) **Patent No.:** **US D769,809 S**  
(45) **Date of Patent:** **\*\* Oct. 25, 2016**

(54) **LAMP HOUSING, BATTERY HOUSING, AND SOLAR PANEL FOR A SOLAR LIGHT FIXTURE**

(71) Applicant: **Chicago Display Company**, River Grove, IL (US)

(72) Inventors: **Blake E. Daily**, Chicago, IL (US);  
**Horace Cesar Rodriguez**, Schaumburg, IL (US)

(73) Assignee: **Chicago Display Company**, River Grove, IL (US)

(\*\*) Term: **15 Years**

(21) Appl. No.: **29/537,649**

(22) Filed: **Aug. 27, 2015**

**Related U.S. Application Data**

(63) Continuation of application No. 29/436,187, filed on Nov. 2, 2012, now Pat. No. Des. 738,819.

(51) **LOC (10) Cl.** ..... **13-02**

(52) **U.S. Cl.**  
USPC ..... **D13/102**

(58) **Field of Classification Search**  
USPC ..... D13/101, 102, 107, 184, 199; D25/55,  
D25/57; 52/74, 77, 78, 173.3; 126/569, 571,  
126/577, 600, 603, 605-608; 136/243-246,  
136/251; 320/101

CPC ..... H02S 20/00; H02S 40/38; Y02E 10/47;  
F21S 9/035; F21S 9/03  
See application file for complete search history.

(56) **References Cited**

**U.S. PATENT DOCUMENTS**

4,200,904 A 4/1980 Doan  
D402,663 S 12/1998 Fechner  
6,942,361 B1 \* 9/2005 Kishimura ..... F21S 8/086  
362/240  
D573,742 S 7/2008 Bears

(Continued)

**OTHER PUBLICATIONS**

Carmanah Tehnologies Corporation. EG-Series, Solar LED Lighting System brochure. Copyright 2012.

*Primary Examiner* — Derrick Holland

*Assistant Examiner* — Jennifer O King

(74) *Attorney, Agent, or Firm* — Jansson Munger  
McKinley & Kirby Ltd.

(57) **CLAIM**

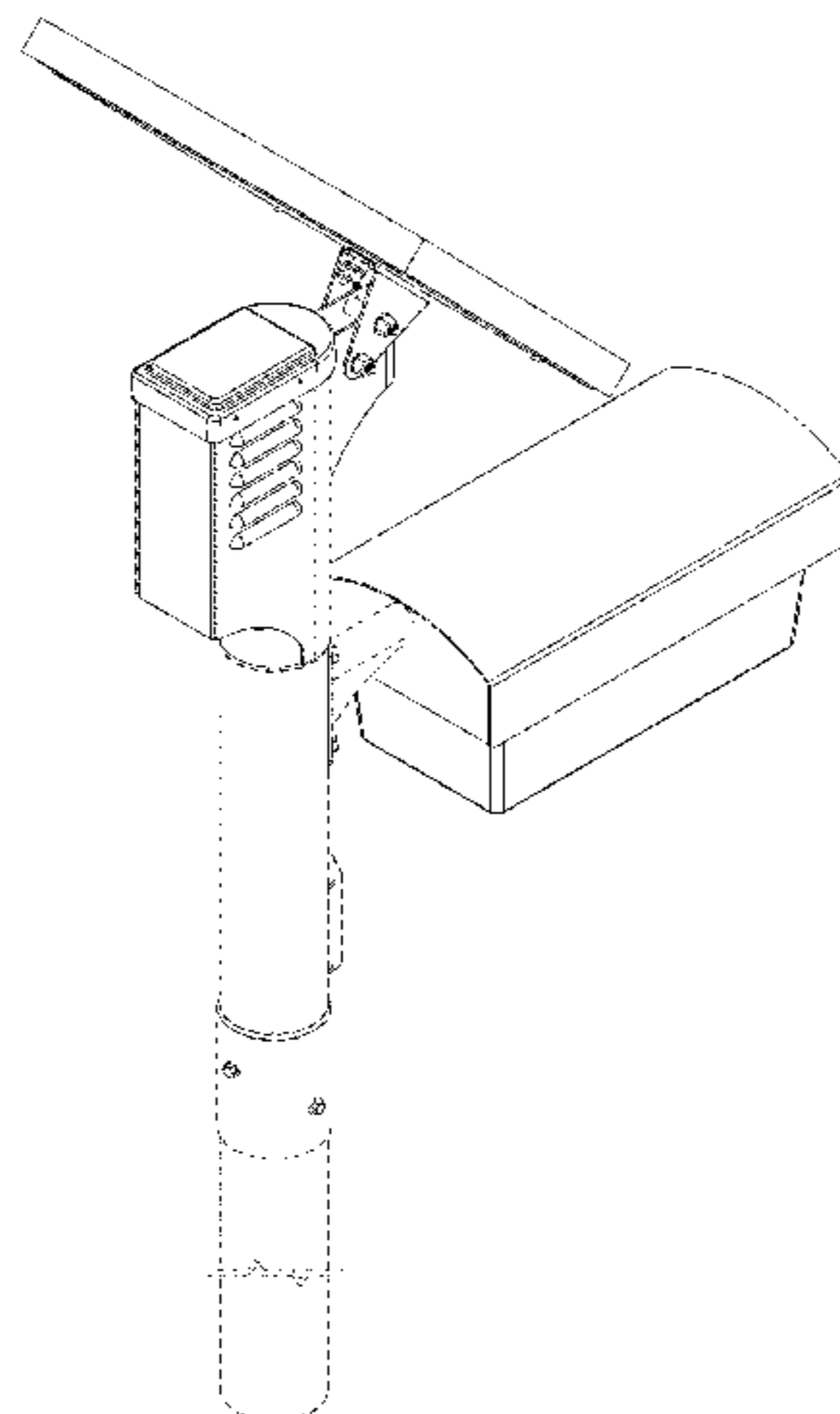
The ornamental design for a lamp housing, battery housing, and solar panel for a solar light fixture, as shown and described.

**DESCRIPTION**

FIG. 1 is a rear side perspective view of the lamp housing, battery housing, and solar panel for a solar light fixture; FIG. 2 is a front side perspective view of the lamp housing, battery housing, and solar panel for a solar light fixture; FIG. 3 is a front elevation view of the lamp housing, battery housing, and solar panel for a solar light fixture; FIG. 4 is a rear elevation view of the lamp housing, battery housing, and solar panel for a solar light fixture; FIG. 5 is a top plan view of the lamp housing, battery housing, and solar panel for a solar light fixture; FIG. 6 is a bottom plan view of the lamp housing, battery housing, and solar panel for a solar light fixture; FIG. 7 is a left side elevation view of the lamp housing, battery housing, and solar panel for a solar light fixture; and, FIG. 8 is a right side elevation view of the lamp housing, battery housing, and solar panel for a solar light fixture.

The broken lines shown represent unclaimed subject matter and form no part of the claimed design. The unclaimed portion of the pole for the solar light fixture has been shown as broken in a middle portion to indicate indeterminate length.

**1 Claim, 8 Drawing Sheets**



(56)

References Cited

U.S. PATENT DOCUMENTS

D582,594 S *	12/2008	Zhou	.....	D26/69	2010/0090605 A1	4/2010	Nevins	
D598,597 S	8/2009	Lu et al.			2010/0219762 A1 *	9/2010	Brumels	..... F21S 8/086
D598,598 S	8/2009	Zhou et al.						315/158
D610,536 S *	2/2010	Brumels	.....	D13/102	2010/0321930 A1 *	12/2010	Watanabe	..... F21S 8/086
D622,887 S	8/2010	Lewis						362/184
D656,652 S	3/2012	Rosenlof et al.			2012/0097149 A1	4/2012	Doyle	
D660,260 S	5/2012	Brink et al.			2012/0240974 A1	9/2012	Lee et al.	
2005/0005530 A1	1/2005	Li			2012/0300440 A1 *	11/2012	Miyamae	..... H01M 10/465
2007/0159836 A1 *	7/2007	Huang	.....	F21S 8/086				362/183
2008/0298051 A1 *	12/2008	Chu	.....	F21S 8/086	2013/0141902 A1 *	6/2013	Akdag	..... F21S 8/086
								362/191
					2014/0014157 A1	1/2014	Lee et al.	
2009/0237918 A1 *	9/2009	Yang	.....	F21S 8/086	2014/0285342 A1 *	9/2014	Makino	..... G08B 13/2491
								340/556
					2015/0043200 A1 *	2/2015	Wilson	..... F21S 9/035
								362/145

\* cited by examiner

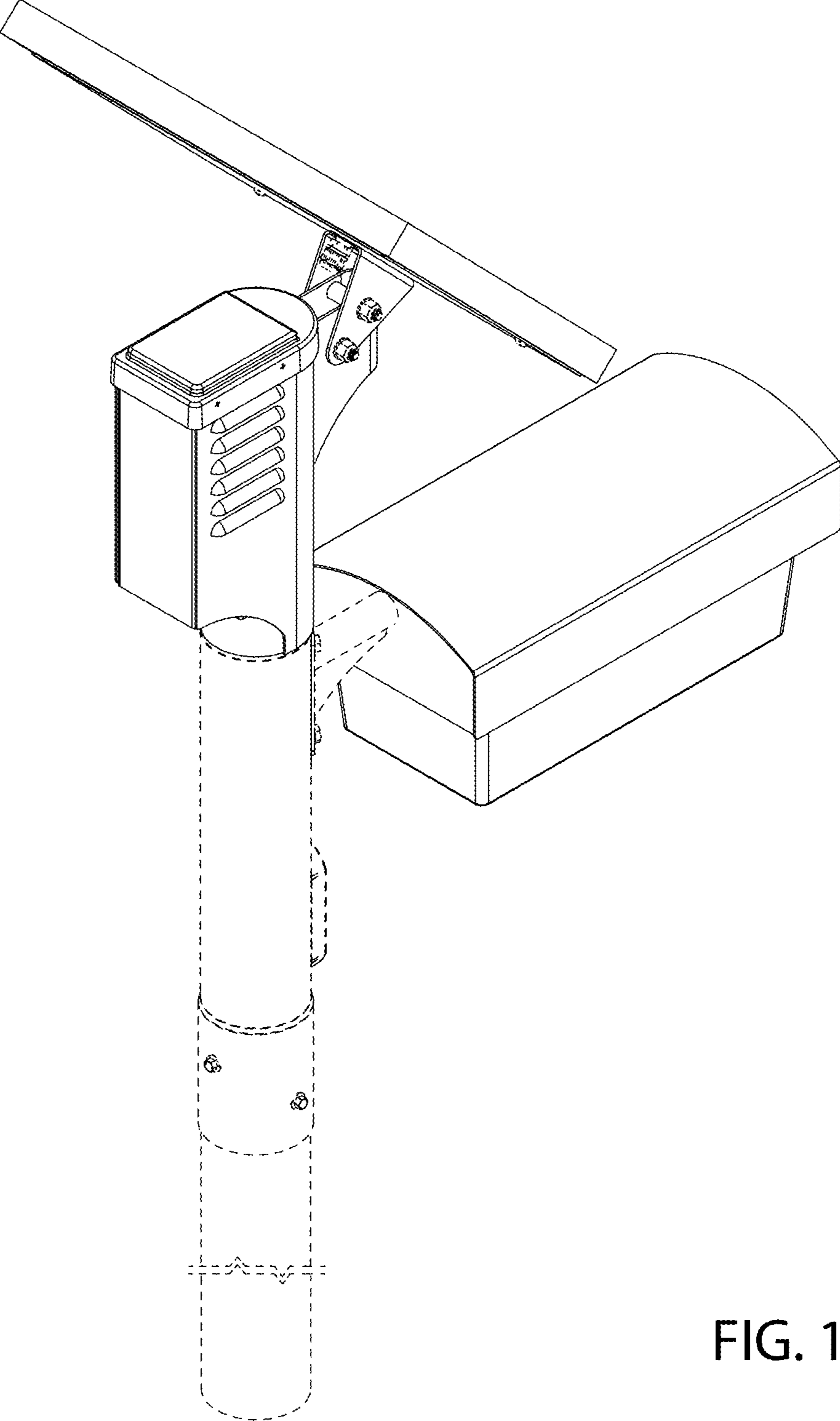


FIG. 1

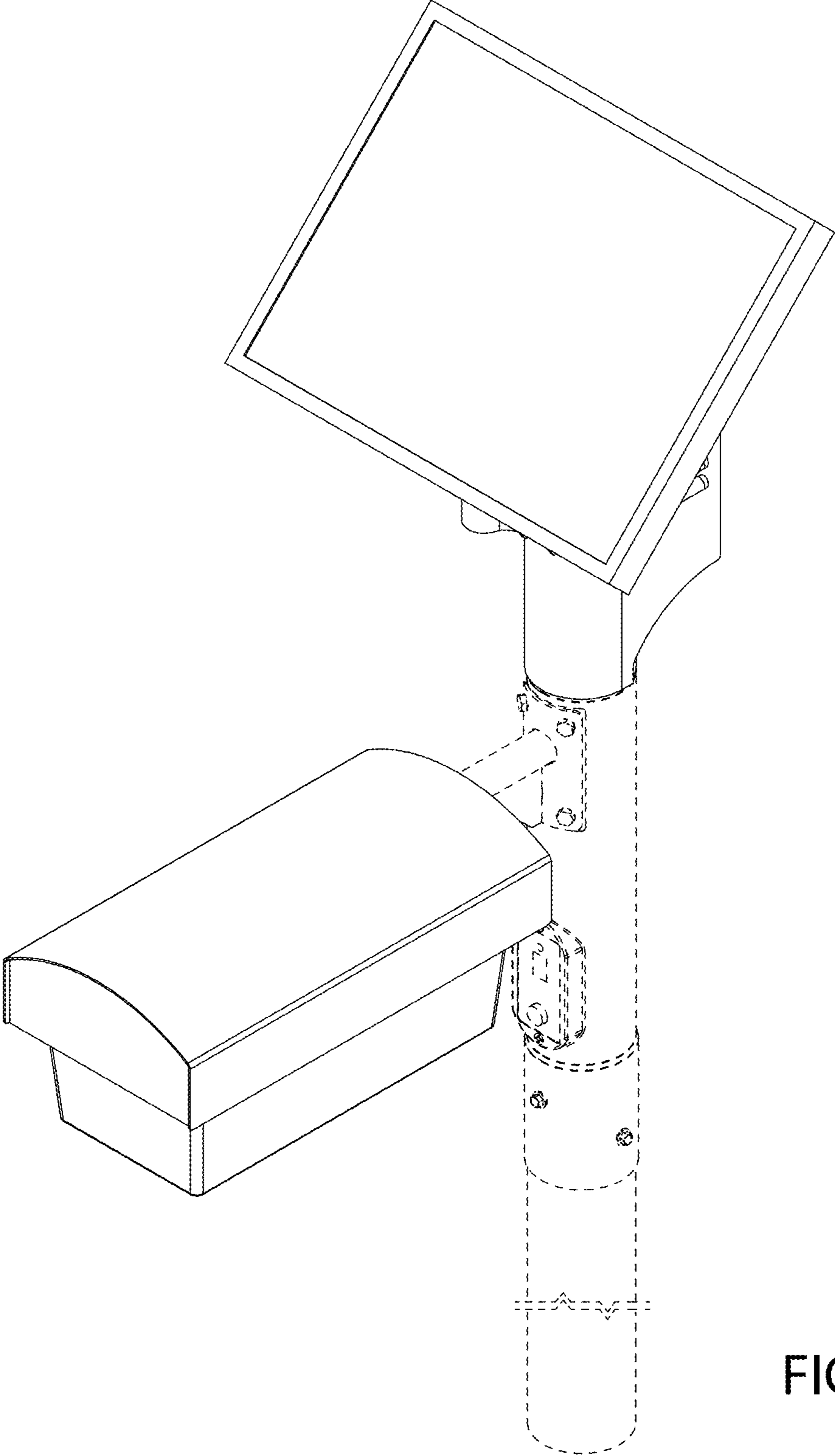


FIG. 2

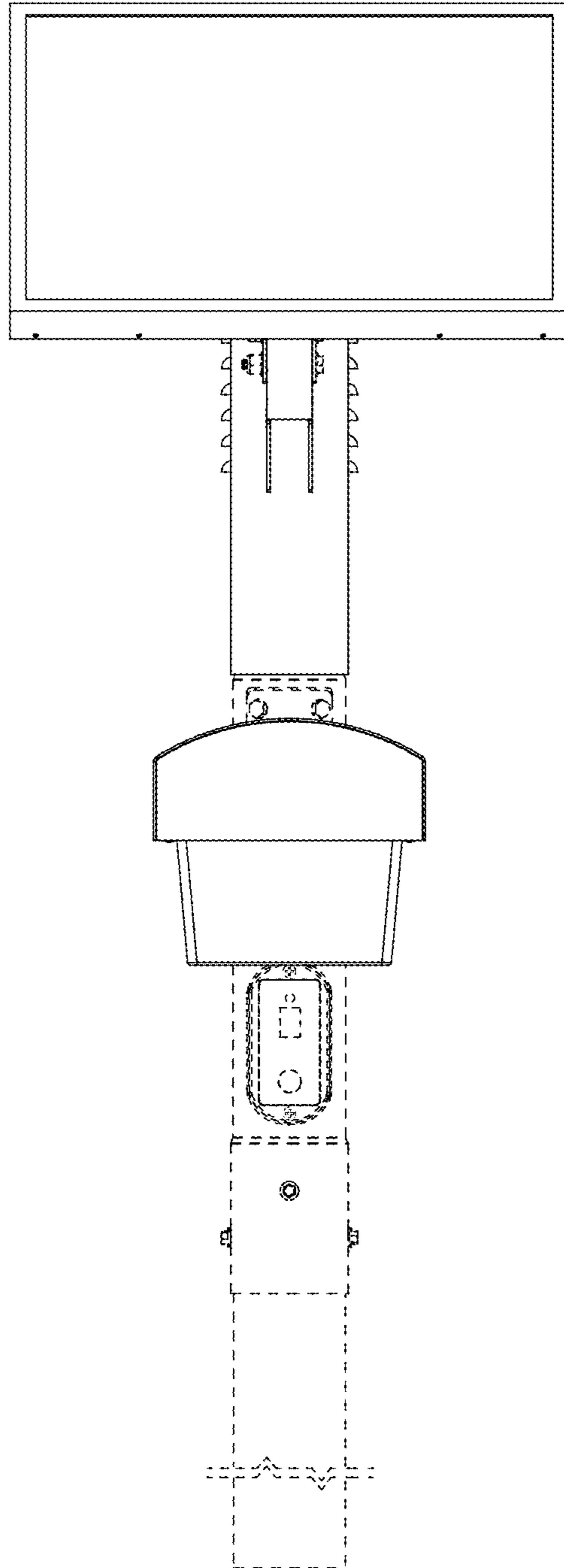


FIG. 3

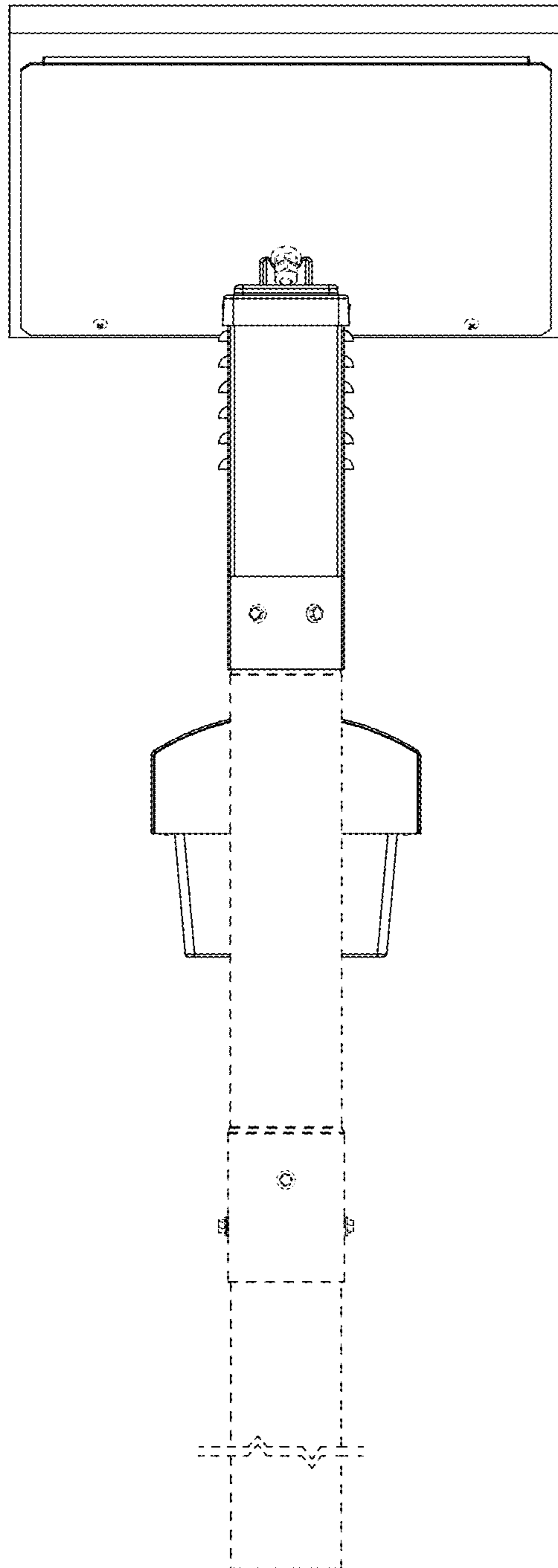


FIG. 4

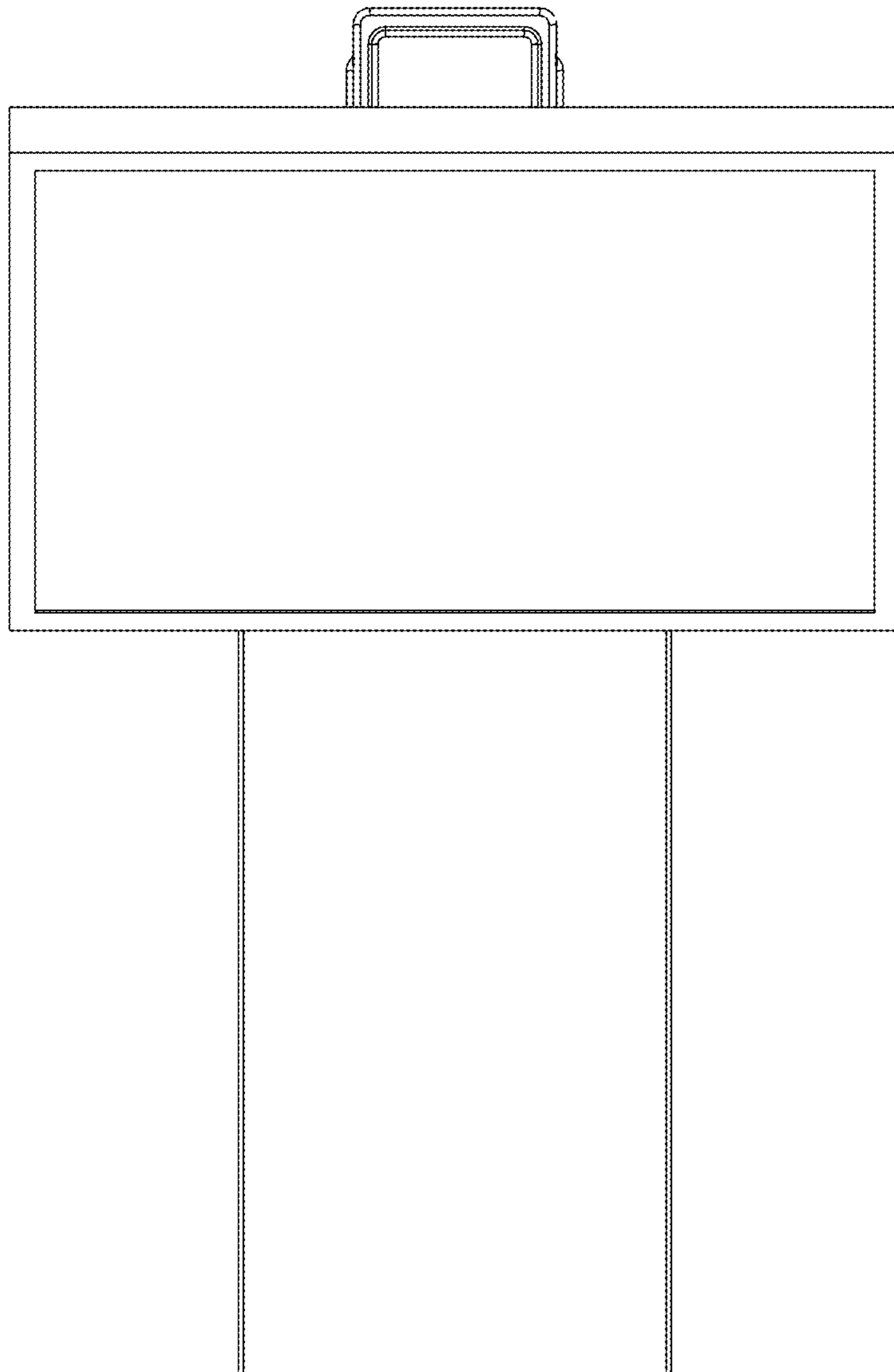


FIG. 5



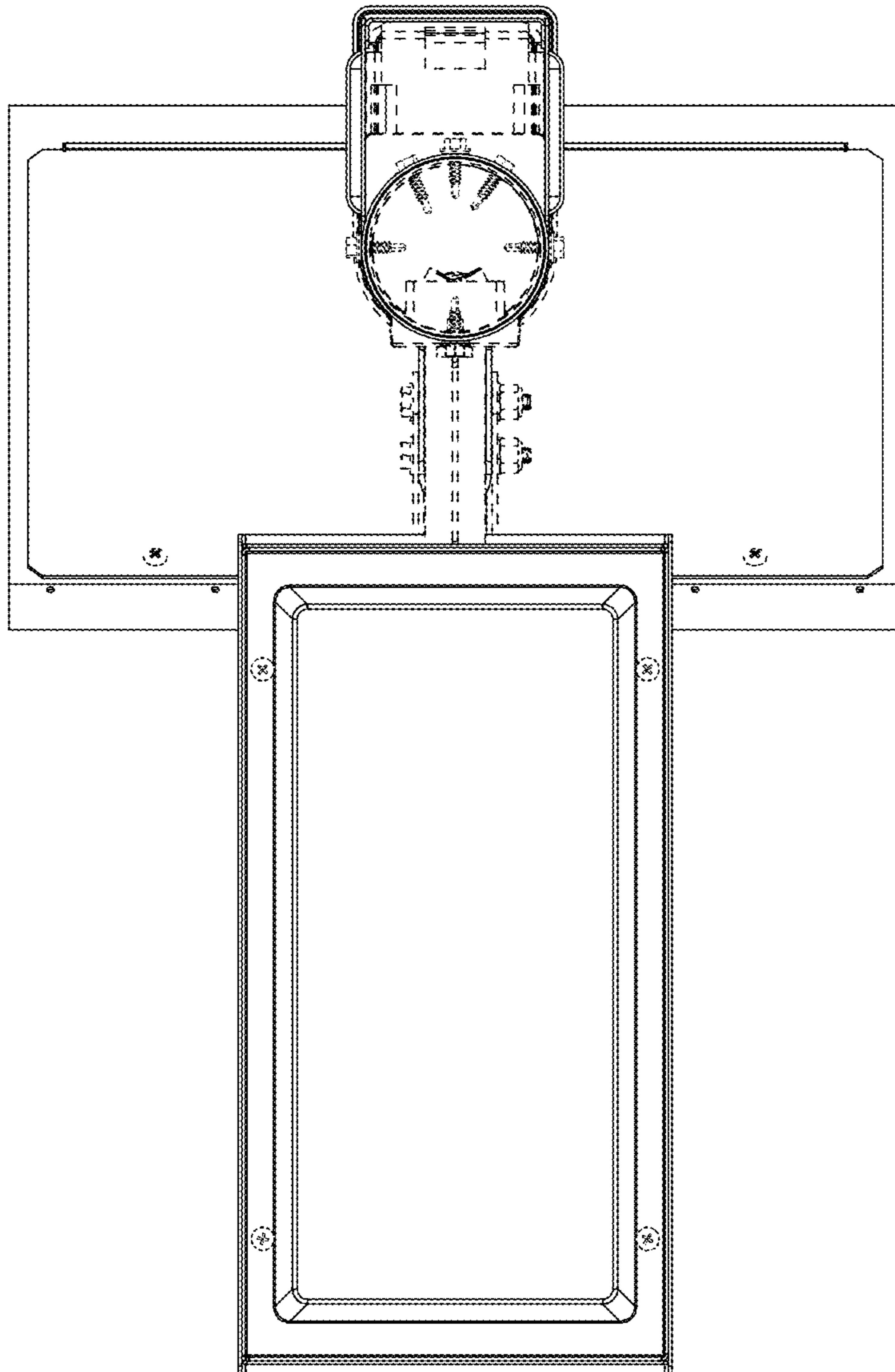


FIG. 6



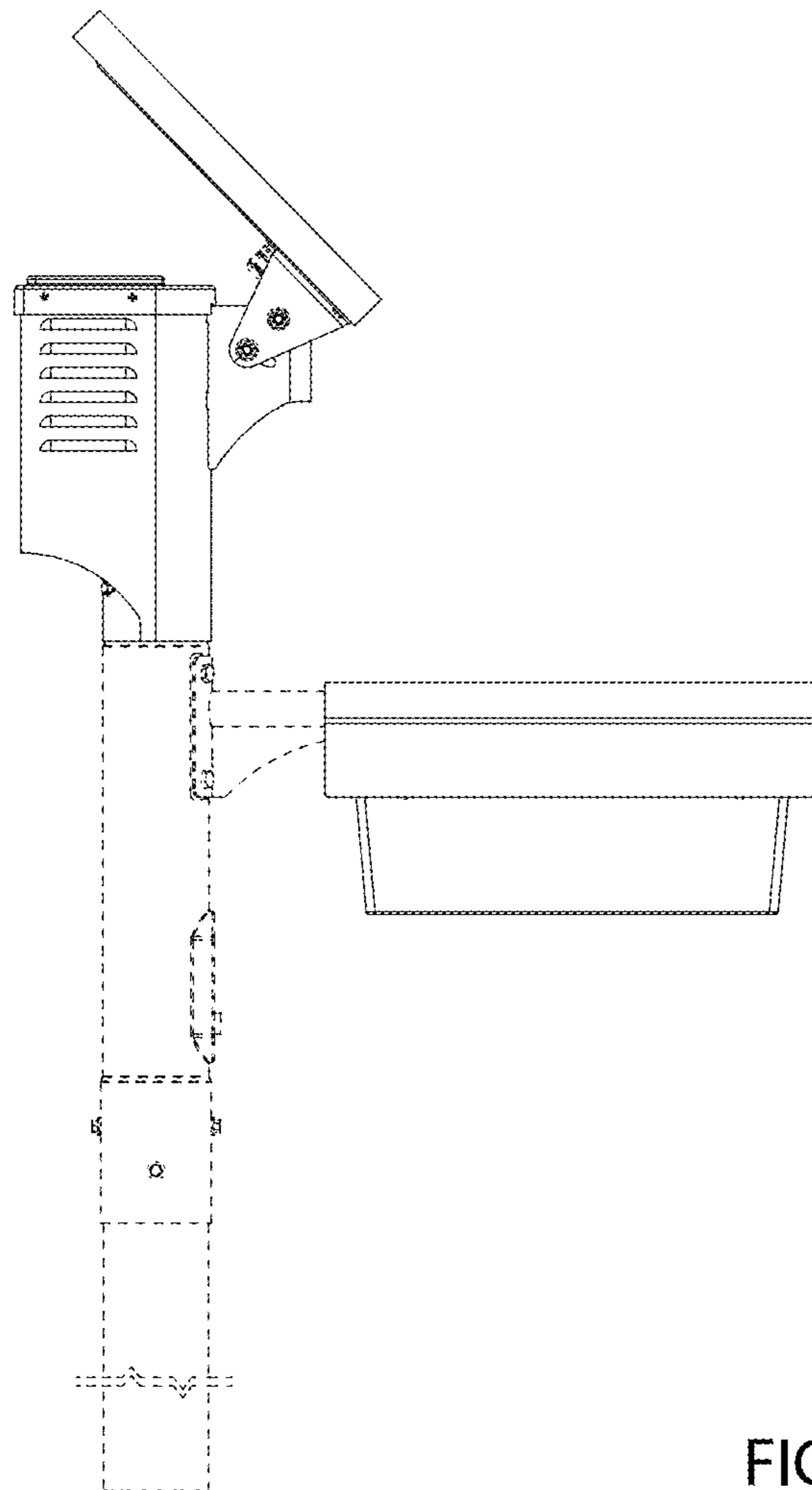


FIG. 7

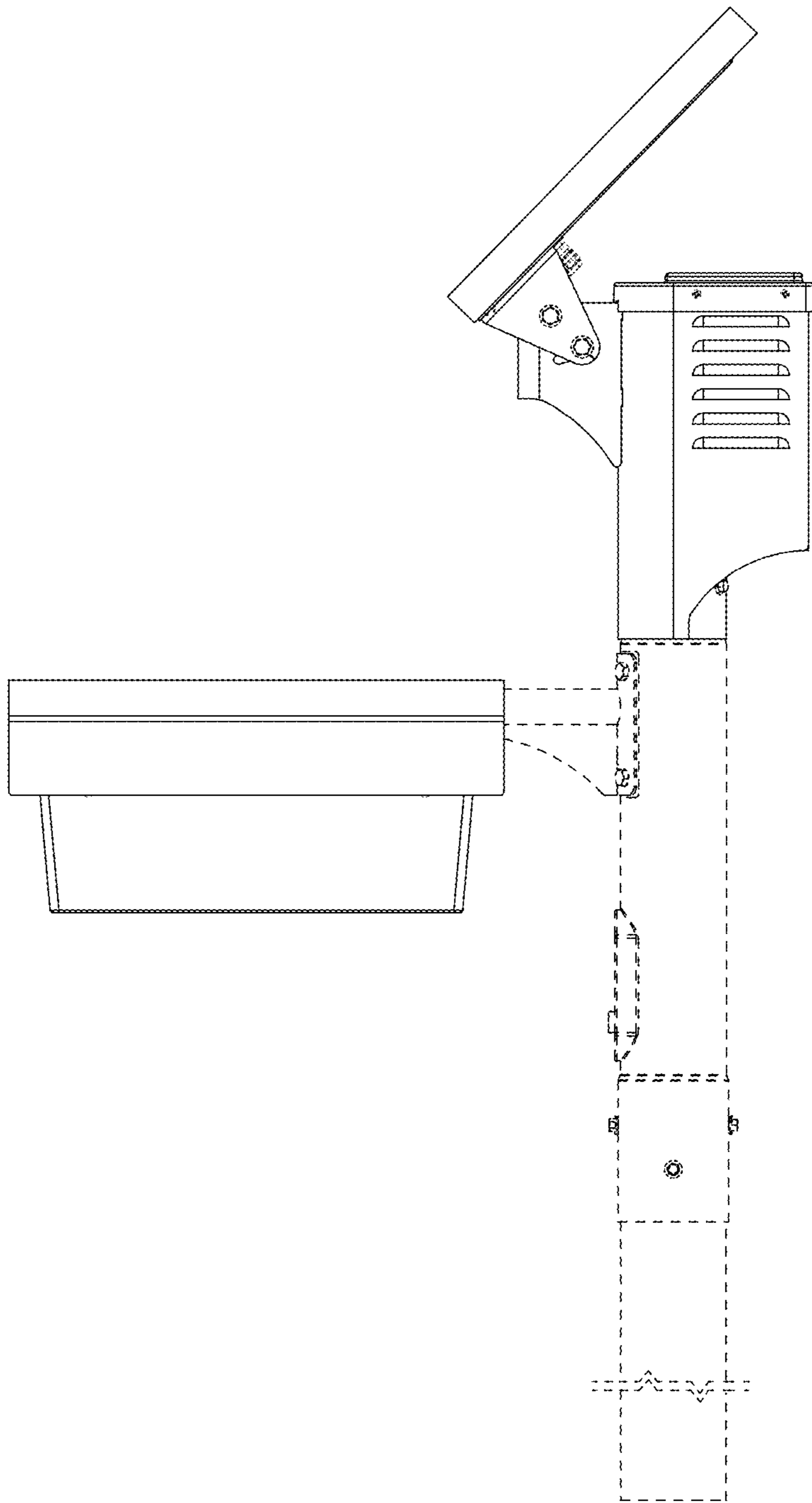


FIG. 8