

US00D769808S

(12) **United States Design Patent** (10) **Patent No.:** **US D769,808 S**  
**Derkacs et al.** (45) **Date of Patent:** **\*\* Oct. 25, 2016**

- (54) **SOLAR CELL**
- (71) Applicant: **Emcore Solar Power, Inc.**,  
Albuquerque, NM (US)
- (72) Inventors: **Daniel Derkacs**, Albuquerque, NM  
(US); **Daniel Aiken**, Cedar Crest, NM  
(US)
- (73) Assignee: **SolAero Technologies Corp.**,  
Albuquerque, NM (US)
- (\*\*) Term: **14 Years**
- (21) Appl. No.: **29/497,799**
- (22) Filed: **Jul. 29, 2014**
- (51) **LOC (10) Cl.** ..... **13-02**
- (52) **U.S. Cl.**  
USPC ..... **D13/102**
- (58) **Field of Classification Search**  
USPC ..... D13/102, 101, 184, 199; 52/173.3;  
126/569-578, 580, 609-612, 634, 640,  
126/643, 652, 658, 680, 682, 683, 685, 689,  
126/699; 136/206, 244-251, 256, 291, 292  
CPC ... H01L 31/18; H01L 31/042; H01L 31/048;  
H01L 31/052; H01L 31/058; H01L 31/0522;  
H01L 31/0525; H01L 31/061; H01L 31/068;  
Y02E 10/50; Y10T 29/49208; Y10T  
29/49213; F24J 2/04; F24J 2/12; F24J 2/24;  
F24J 2/38; F24J 2/46; F24J 2/54  
See application file for complete search history.

(56) **References Cited**

U.S. PATENT DOCUMENTS

- D275,876 S \* 10/1984 Everett ..... D13/102
- D442,139 S \* 5/2001 Sasaoka ..... D13/102
- D558,139 S \* 12/2007 Sharma ..... D13/102
- D590,768 S \* 4/2009 Feng ..... D13/102
- 7,902,451 B2 3/2011 Shimizu
- 7,902,510 B2 3/2011 Mann et al.

- 8,222,523 B2 \* 7/2012 Antaya ..... H01R 4/022  
136/244
- D667,370 S \* 9/2012 Arletti ..... D13/102
- 8,373,613 B2 \* 2/2013 Lin ..... H01L 31/02243  
136/244
- 8,829,328 B2 \* 9/2014 Silverstein ..... H01L 31/042  
136/244
- 8,853,527 B2 10/2014 Hieslmair
- 2010/0294333 A1 11/2010 Wang et al.

(Continued)

FOREIGN PATENT DOCUMENTS

- EP 1855325 A1 11/2007
- JP 2001-203380 A 7/2001

(Continued)

*Primary Examiner* — Derrick Holland

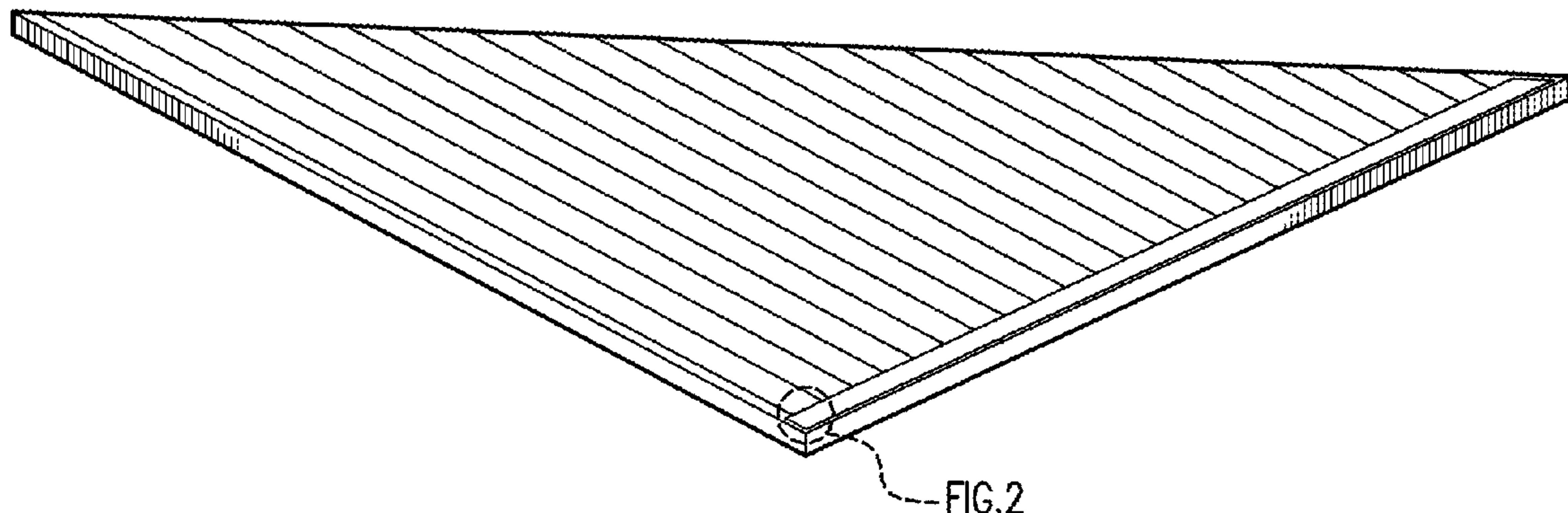
(57) **CLAIM**

The ornamental design for a solar cell, as shown and described.

**DESCRIPTION**

FIG. 1 is a top perspective view of a solar cell showing our new design;  
 FIG. 2 is an enlarged fragmental view taken from the designated area in FIG. 1;  
 FIG. 3 is a top plan view of the solar cell of FIG. 1;  
 FIG. 4 is a rear side elevation view of the solar cell of FIG. 1;  
 FIG. 5 is a front side elevation view of the solar cell of FIG. 1;  
 FIG. 6 is a left side elevation view of the solar cell of FIG. 1;  
 FIG. 7 is a right side elevation view of the solar cell of FIG. 1; and,  
 FIG. 8 is a bottom plan view of the solar cell of FIG. 1.  
 The broken line boundaries shown in FIGS. 1 and 2 represent unclaimed subject matter and form no part of the claimed design.

**1 Claim, 4 Drawing Sheets**



(56)

**References Cited**

FOREIGN PATENT DOCUMENTS

U.S. PATENT DOCUMENTS

2011/0061706 A1 3/2011 Park et al.  
2011/0061716 A1 3/2011 Myong  
2013/0068278 A1 3/2013 Kataoka

JP 2001203380 A 7/2001  
JP 2012174871 A 2/2011  
JP 2012-174871 A 9/2012

\* cited by examiner

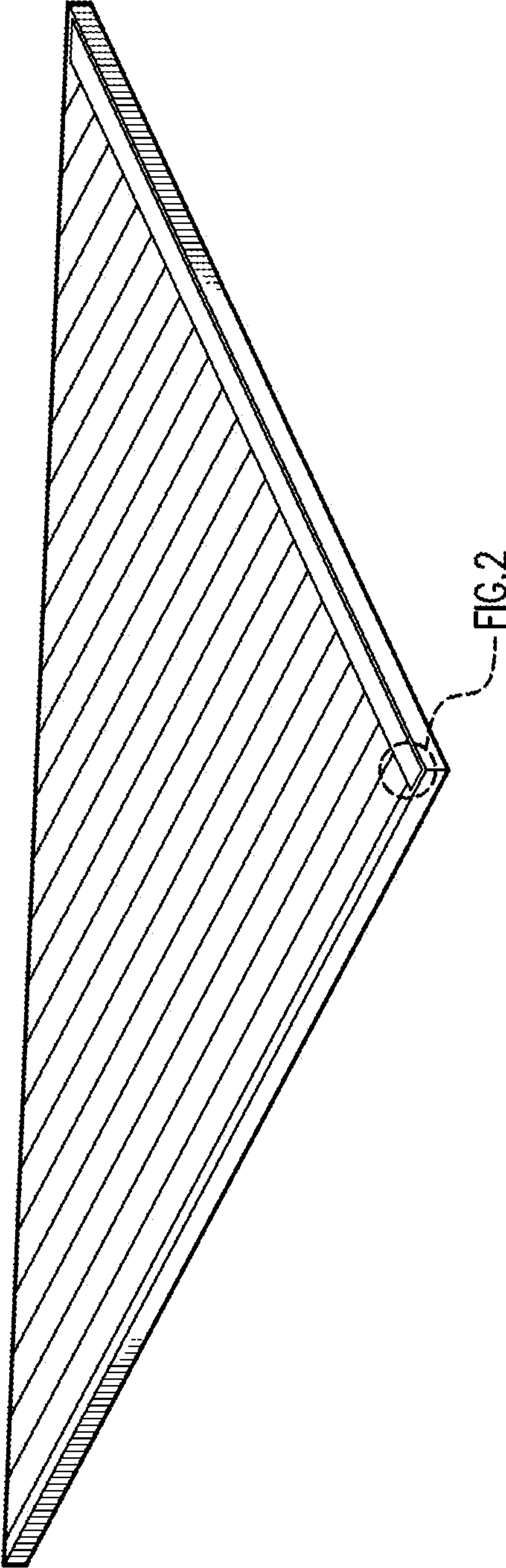


FIG. 1

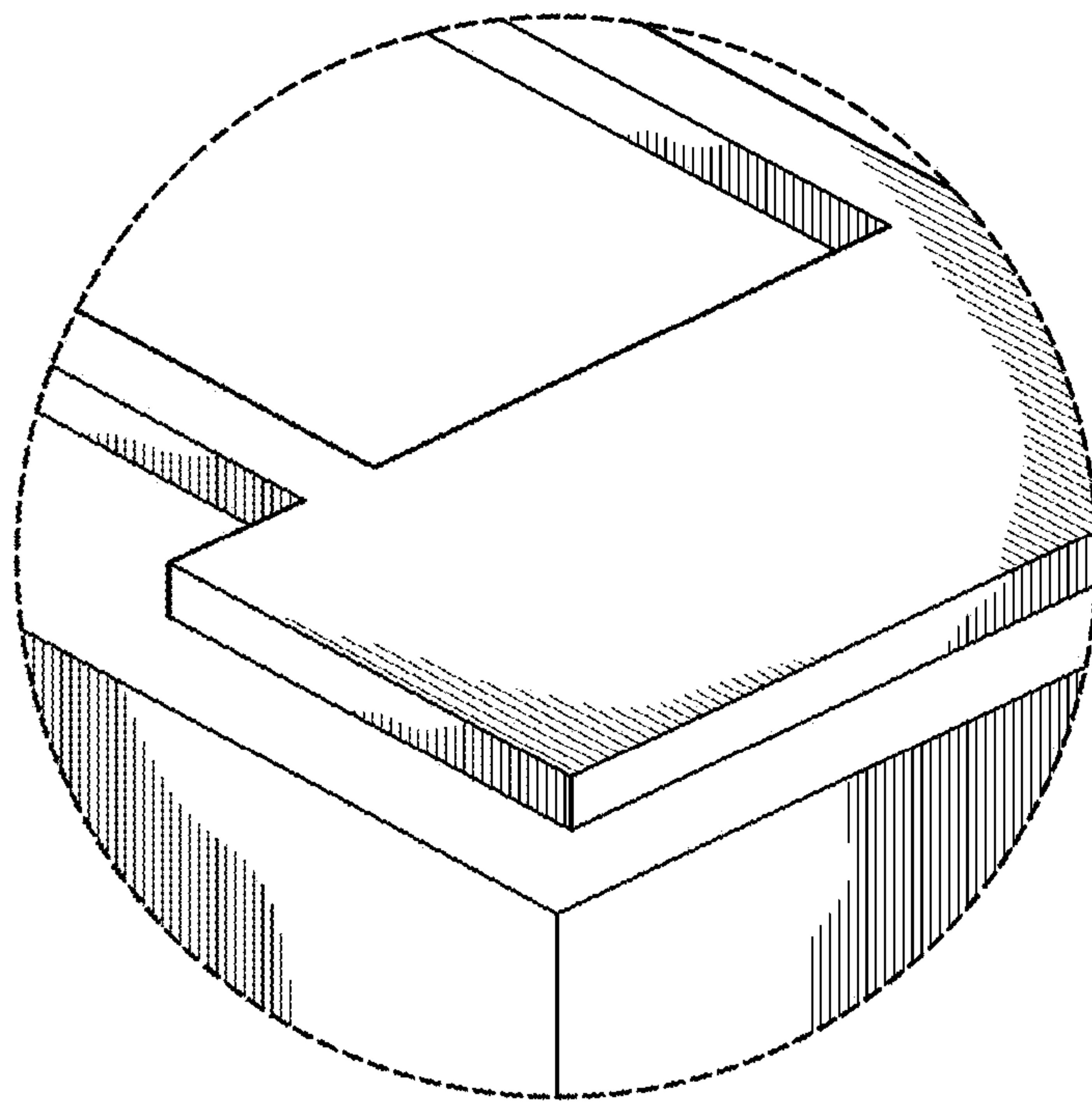


FIG. 2

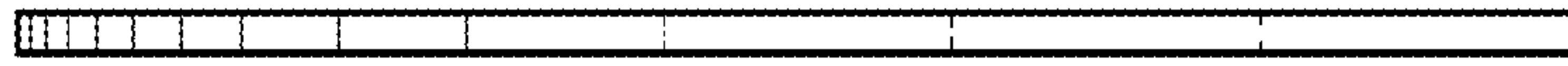


FIG. 4



FIG. 6

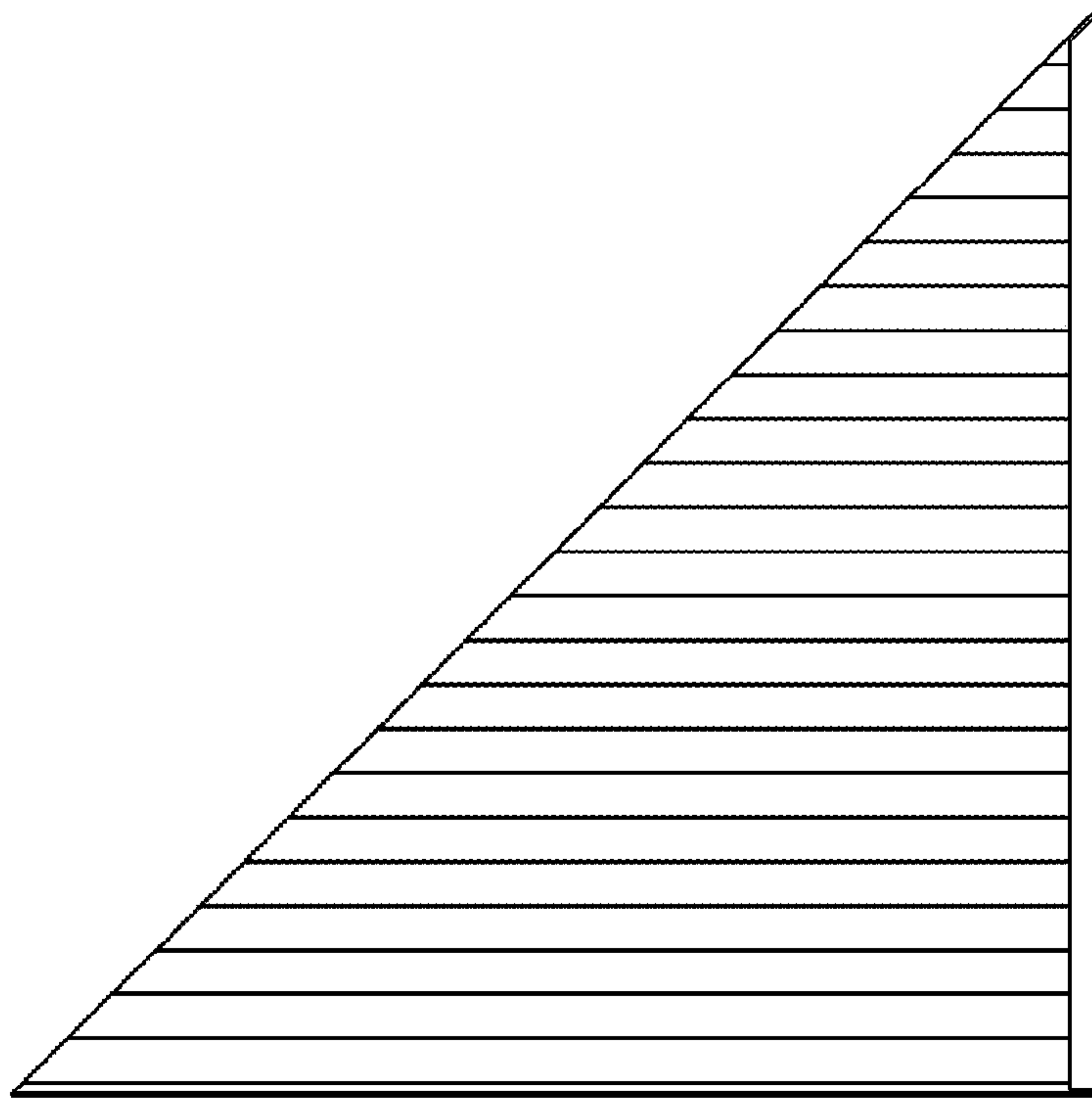


FIG. 3

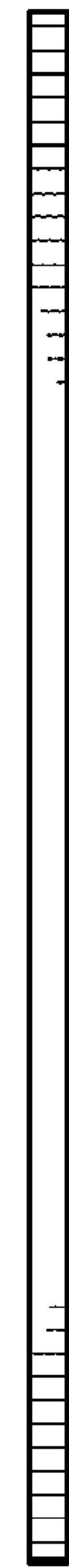


FIG. 7

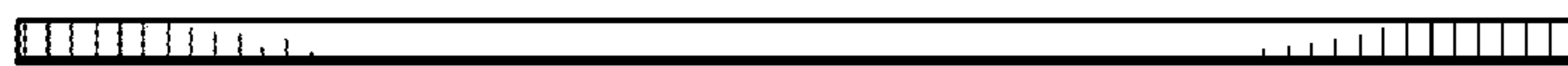


FIG. 5

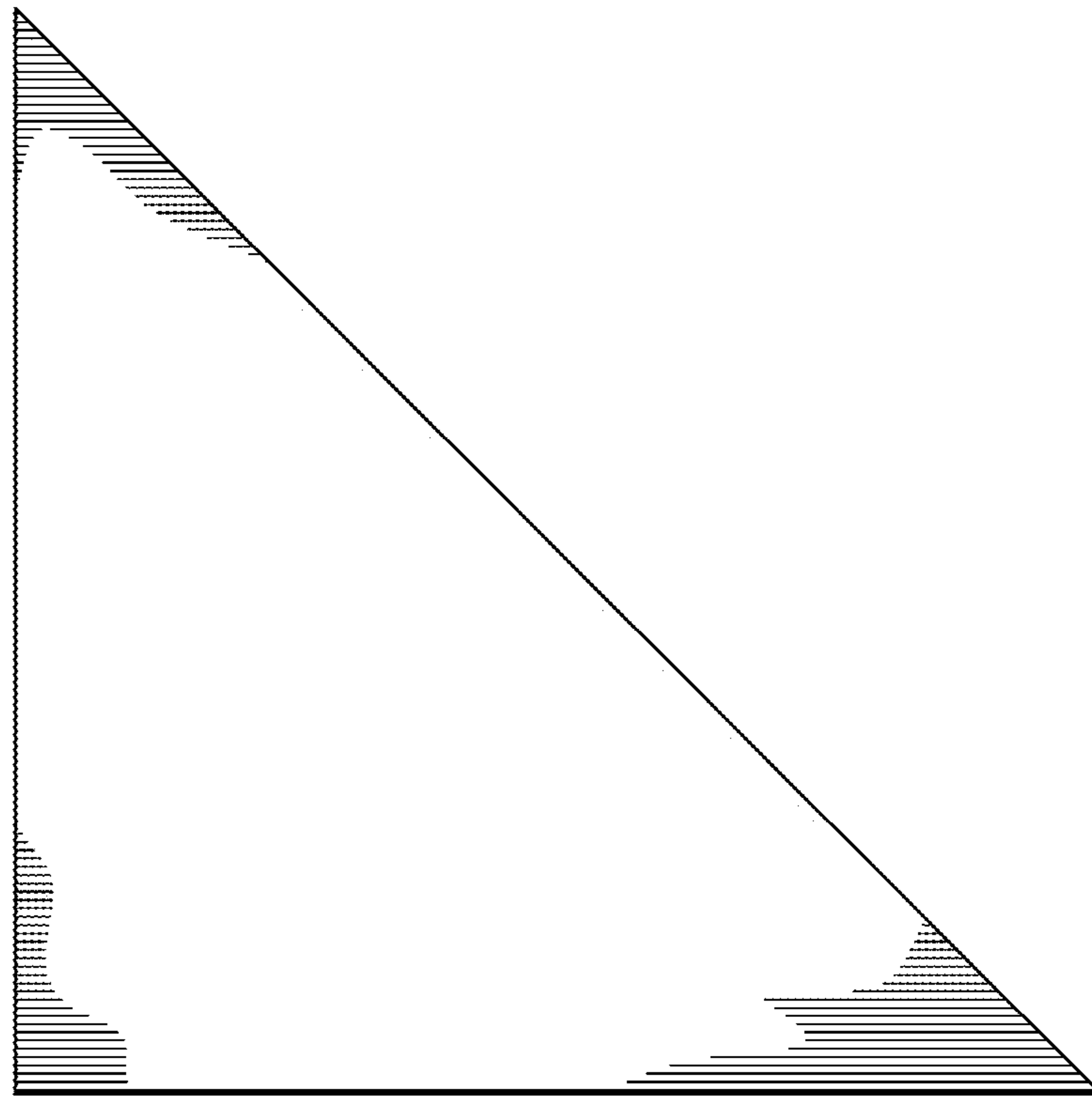


FIG. 8