

US00D769805S

(12) **United States Design Patent**
Yamaguchi

(10) **Patent No.:** **US D769,805 S**
(45) **Date of Patent:** **** Oct. 25, 2016**

(54) **AUTOMOBILE TIRE**

(71) Applicant: **THE YOKOHAMA RUBBER CO., LTD.**, Minato-ku, Tokyo (JP)

(72) Inventor: **Yukihito Yamaguchi**, Hiratsuka (JP)

(73) Assignee: **THE YOKOHAMA RUBBER CO., LTD.**, Minato-ku, Tokyo (JP)

(**) Term: **14 Years**

(21) Appl. No.: **29/516,250**

(22) Filed: **Jan. 30, 2015**

(51) **LOC (10) Cl.** **12-15**

(52) **U.S. Cl.**
USPC **D12/604; D12/600; D12/602**

(58) **Field of Classification Search**
USPC D12/500-568, 580-604, 900
CPC B60C 7/18; B60C 11/04; B60C 11/0311;
B60C 7/10; B60C 7/14; B60B 9/26; B60B
9/04

See application file for complete search history.

(56) **References Cited**

U.S. PATENT DOCUMENTS

D445,376 S *	7/2001	Le Mentec	D12/512
D573,941 S *	7/2008	Song	D12/579
D602,426 S *	10/2009	Yoda	D12/603
D605,579 S *	12/2009	Lee	D12/544
D610,073 S *	2/2010	Laroche	D12/579
D615,486 S *	5/2010	Souchet	D12/602
D633,860 S *	3/2011	Su	D12/596
D634,266 S *	3/2011	Shan	D12/599
D678,831 S *	3/2013	Hermann	D12/579
D695,210 S *	12/2013	Tanaka	D12/579
D728,465 S *	5/2015	Kuwahara	D12/600
D735,119 S *	7/2015	Hermann	D12/578

OTHER PUBLICATIONS

Double Coin Dump Truck Tire found online [Mar. 22, 2016]
http://www.itruck360.com/product_19234/Double-Coin-dump-truck-tire-24-00R35.html.*

* cited by examiner

Primary Examiner — Robert M Spear

Assistant Examiner — John Voytek

(74) *Attorney, Agent, or Firm* — Banner & Witcoff, Ltd.

(57) **CLAIM**

The ornamental design for an automobile tire, as shown and described.

DESCRIPTION

FIG. 1 is a perspective view of an automobile tire showing my new design;

FIG. 2 is a front view thereof;

FIG. 3 is a rear view thereof;

FIG. 4 is a left side view thereof;

FIG. 5 is a right side view thereof;

FIG. 6 is a top view thereof;

FIG. 7 is a bottom view thereof;

FIG. 8 is a partially enlarged view of a portion defined by lines 8-8 shown in FIG. 1;

FIG. 9 is a partially enlarged view of a portion defined by lines 9-9 shown in FIG. 2; and,

FIG. 10 is a cross sectional view of a portion defined by lines 10-10 shown in FIG. 9.

The portions of the article in broken lines are shown for illustrative purposes only and form no part of the claimed design. The dot and dashed lines mean a boundary between the claimed portion and the non-claimed portion.

1 Claim, 10 Drawing Sheets

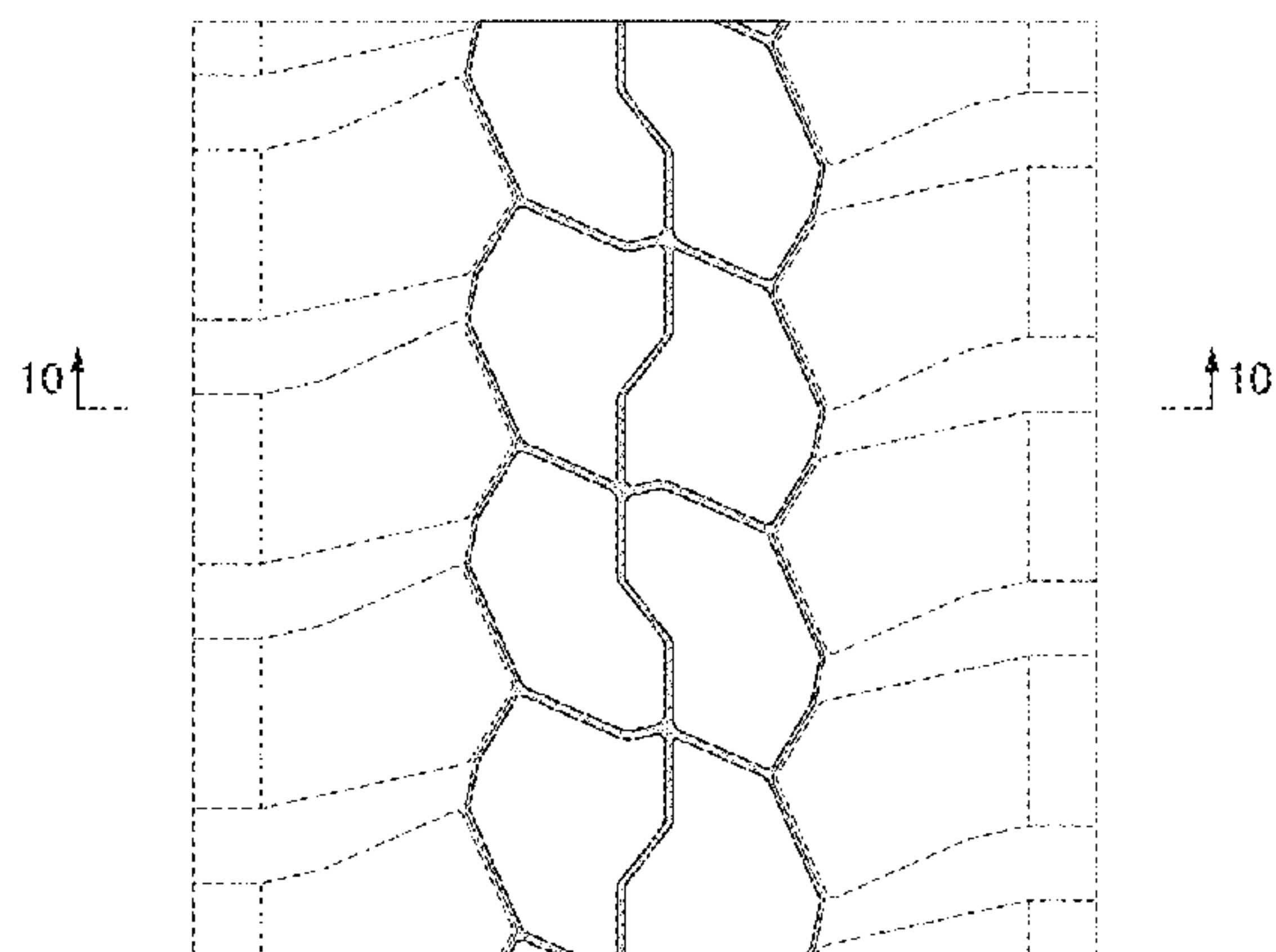
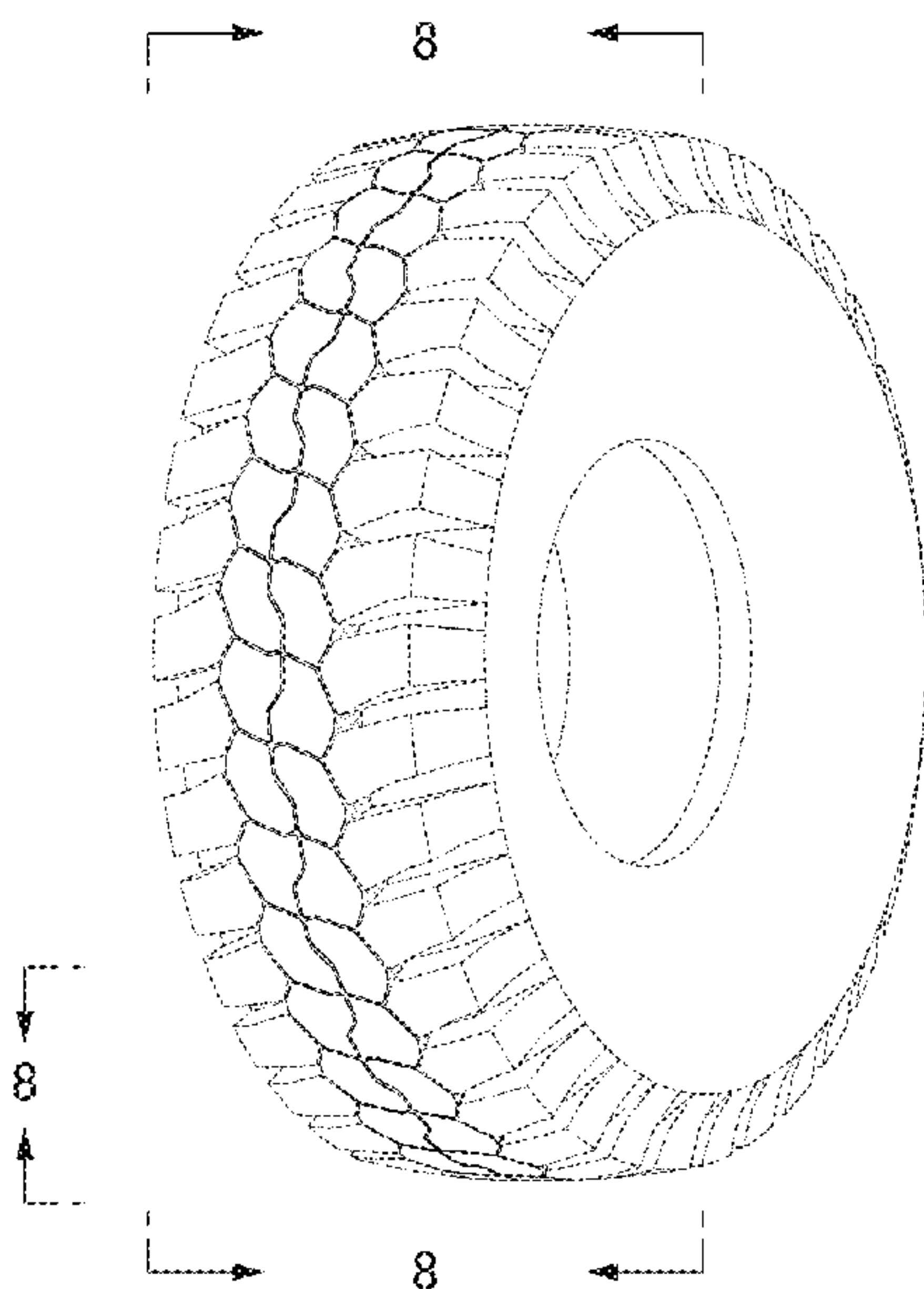


FIG. 1

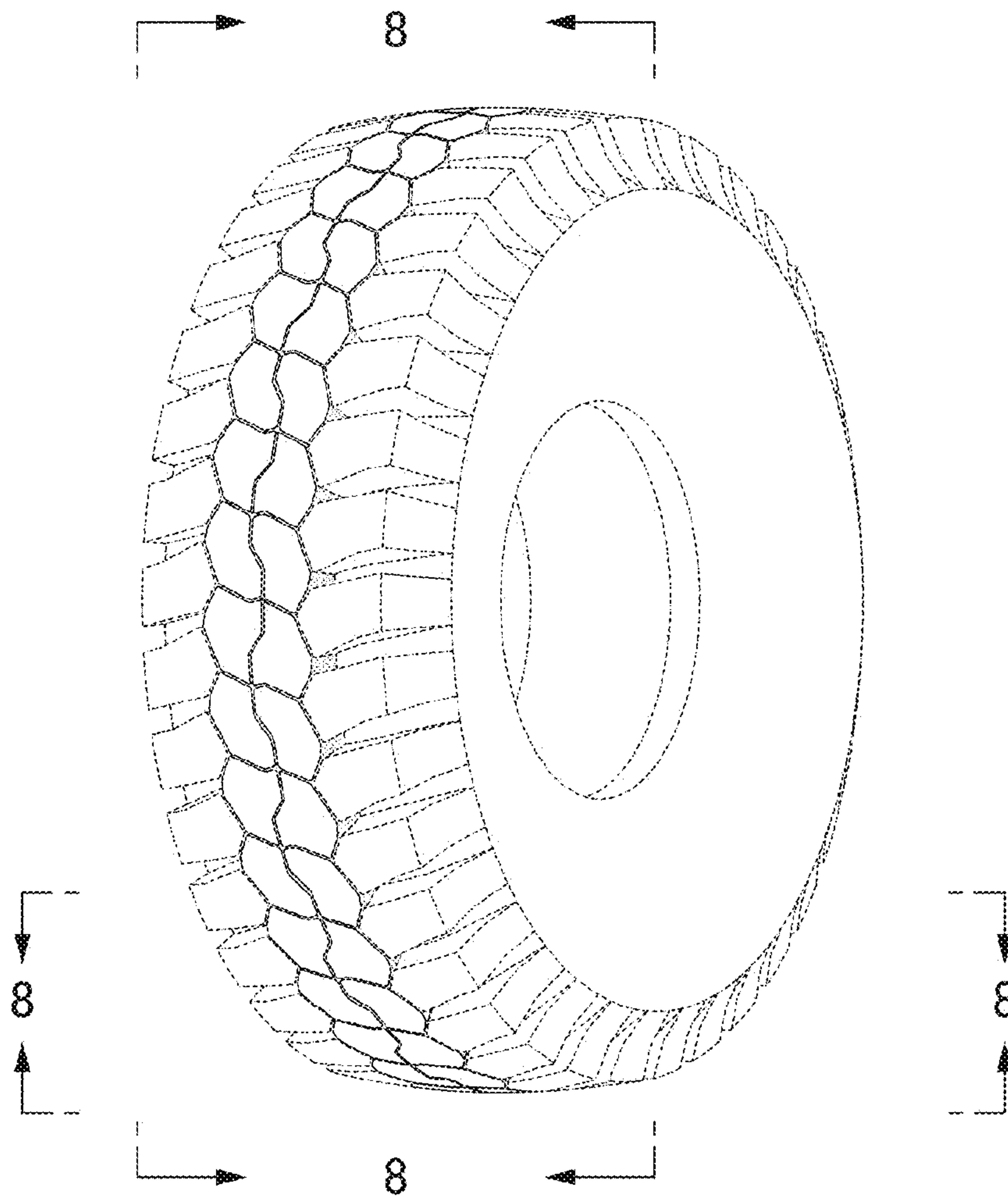


FIG. 2

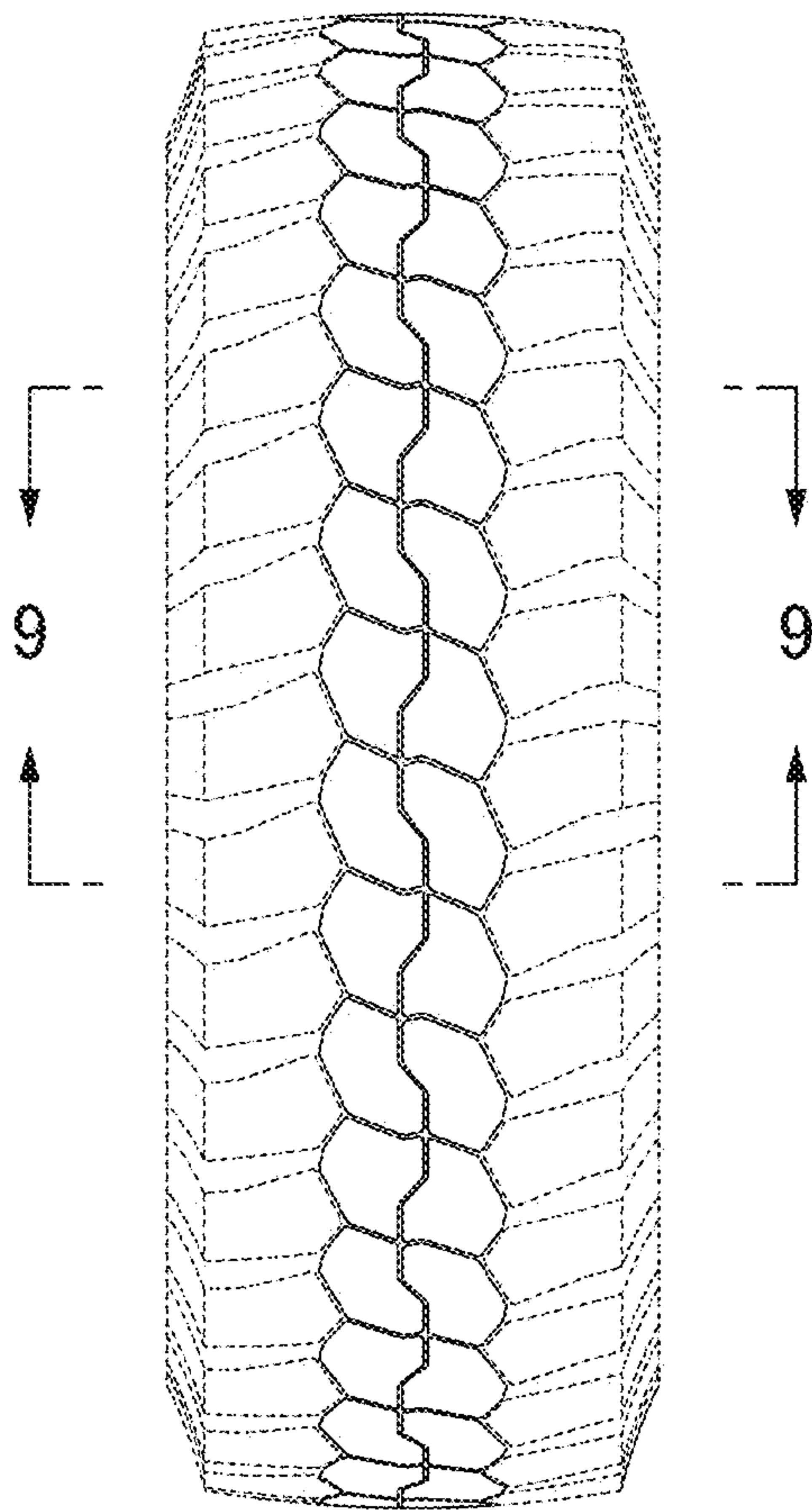


FIG. 3

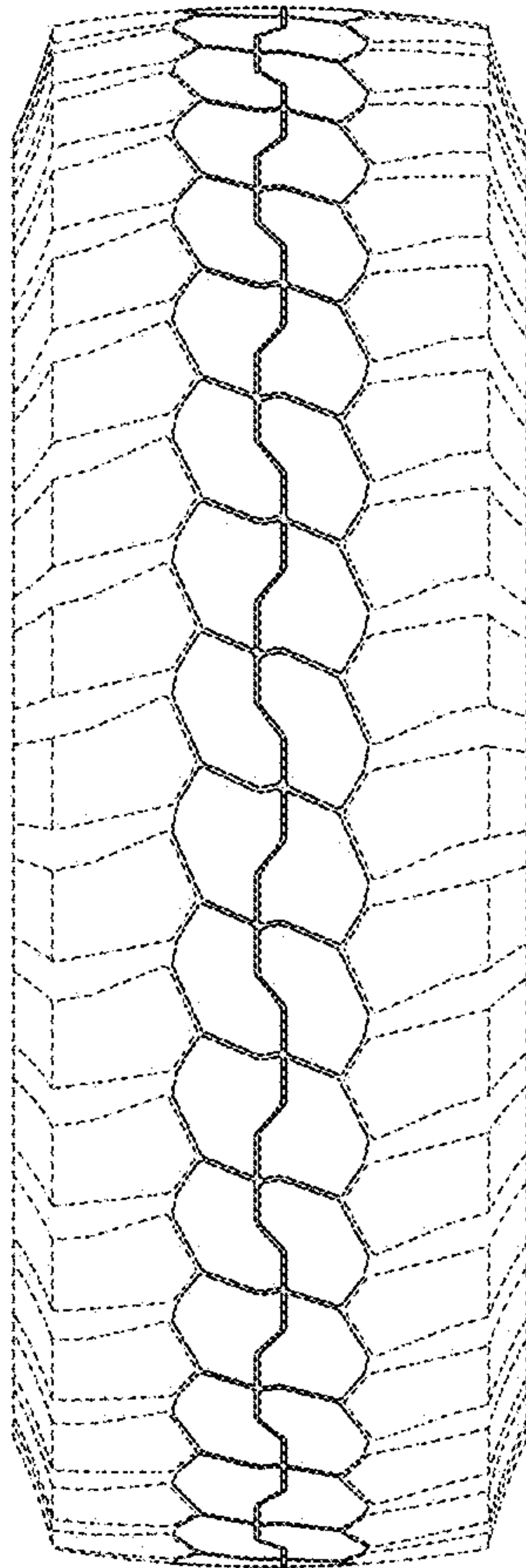


FIG. 4

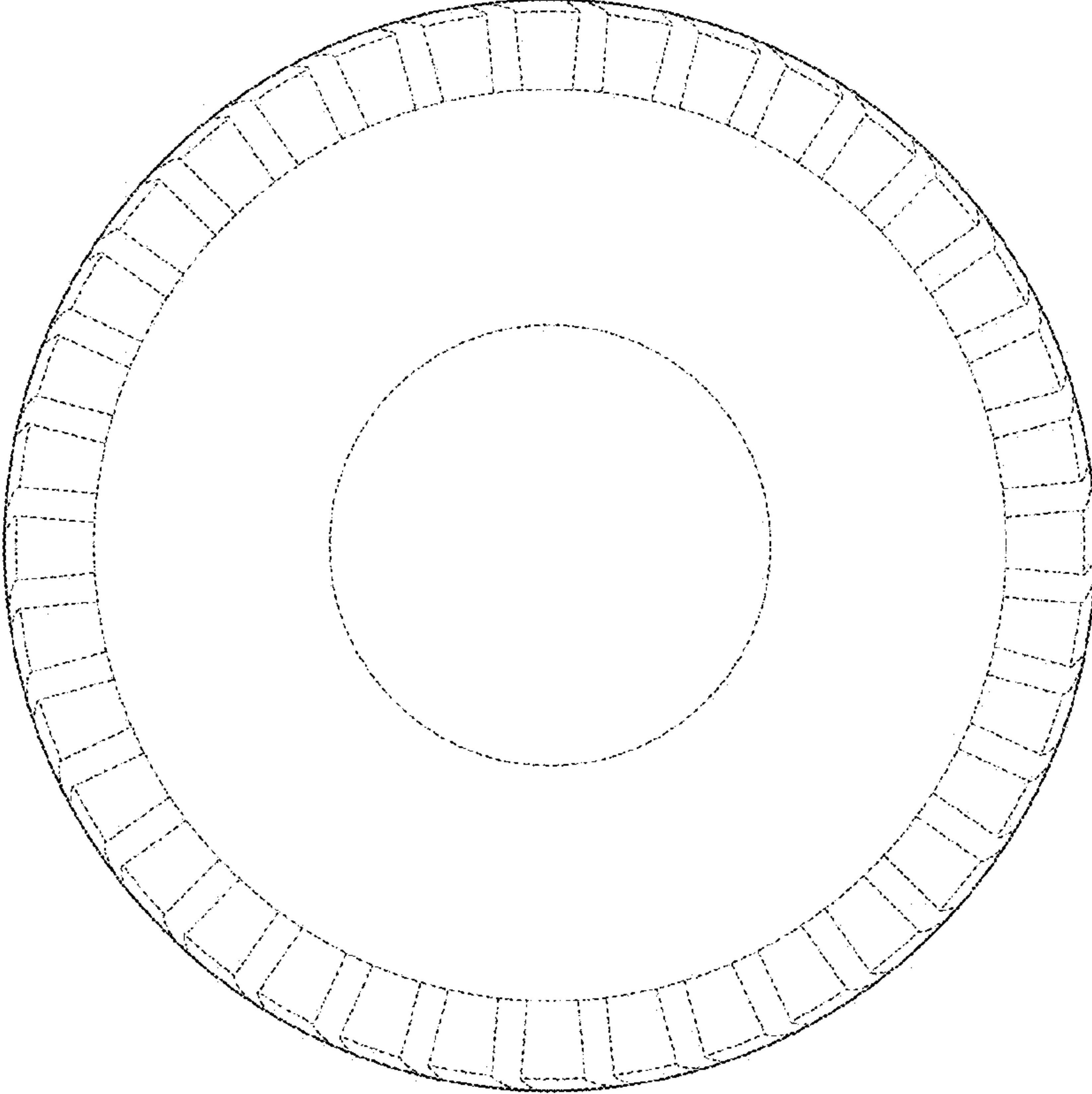


FIG. 5

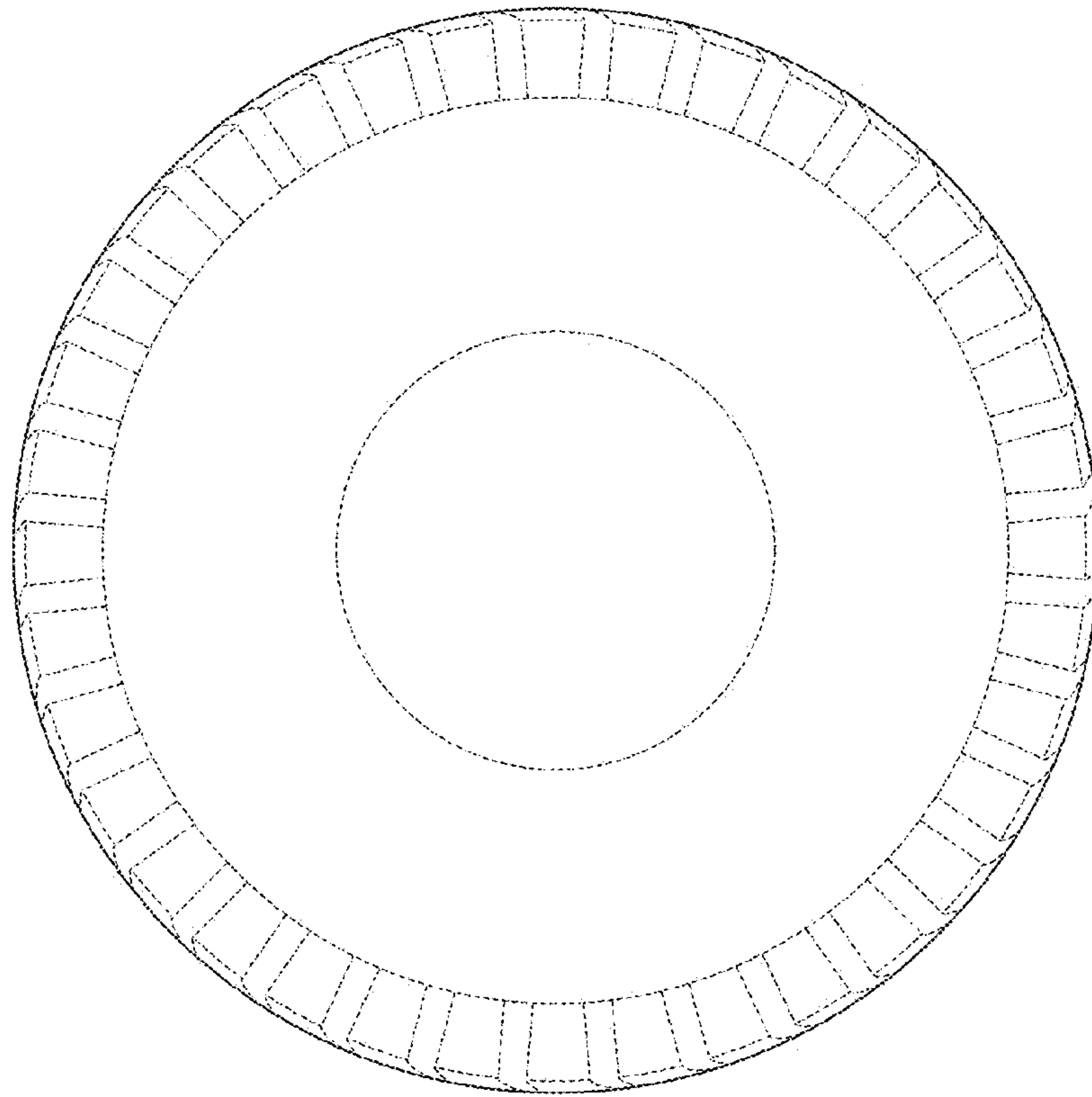


FIG. 6

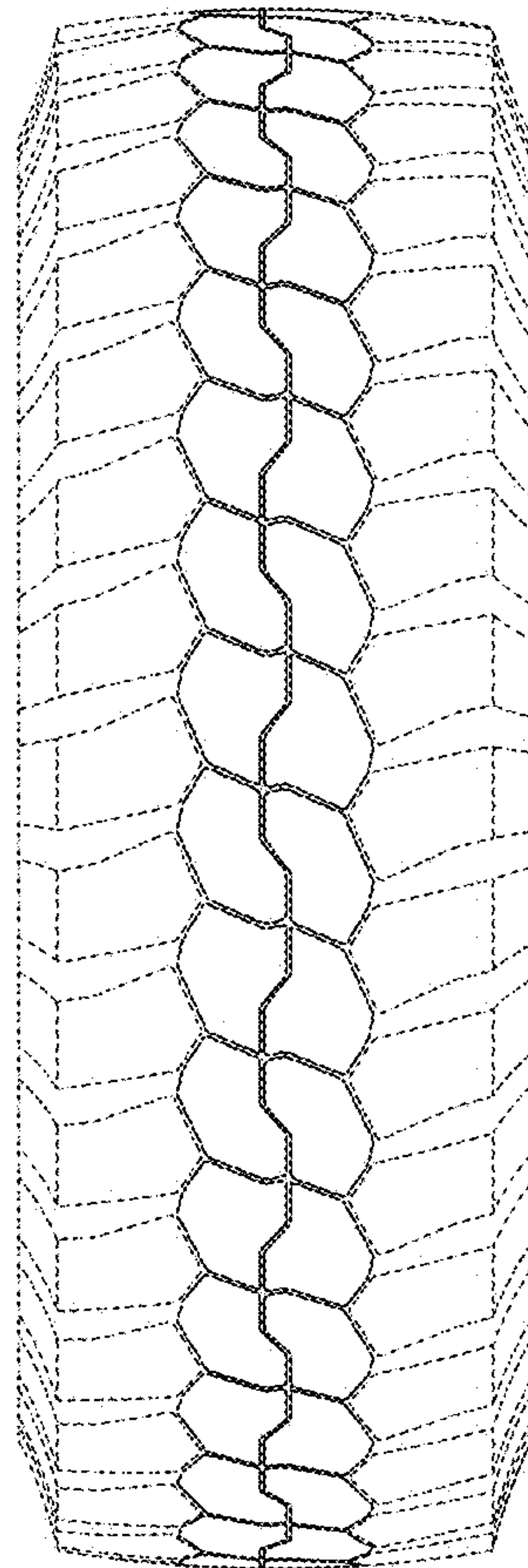


FIG. 7

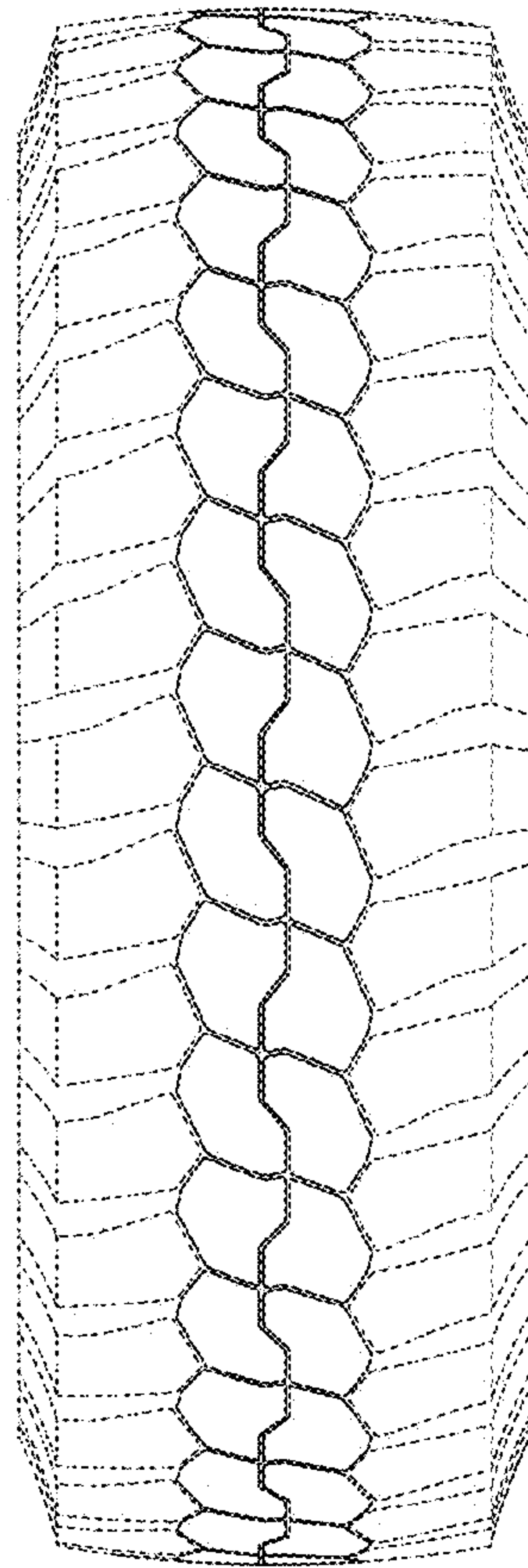


FIG. 8

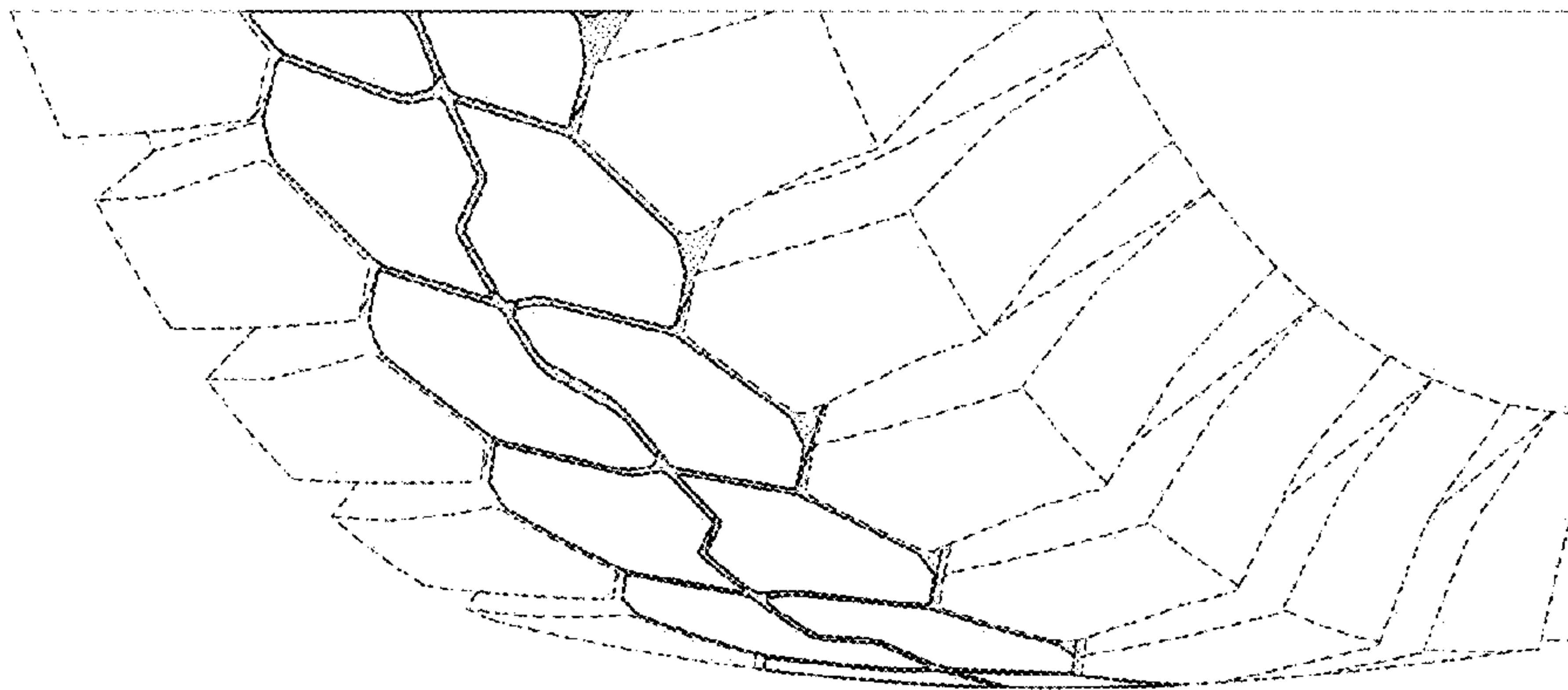


FIG. 9

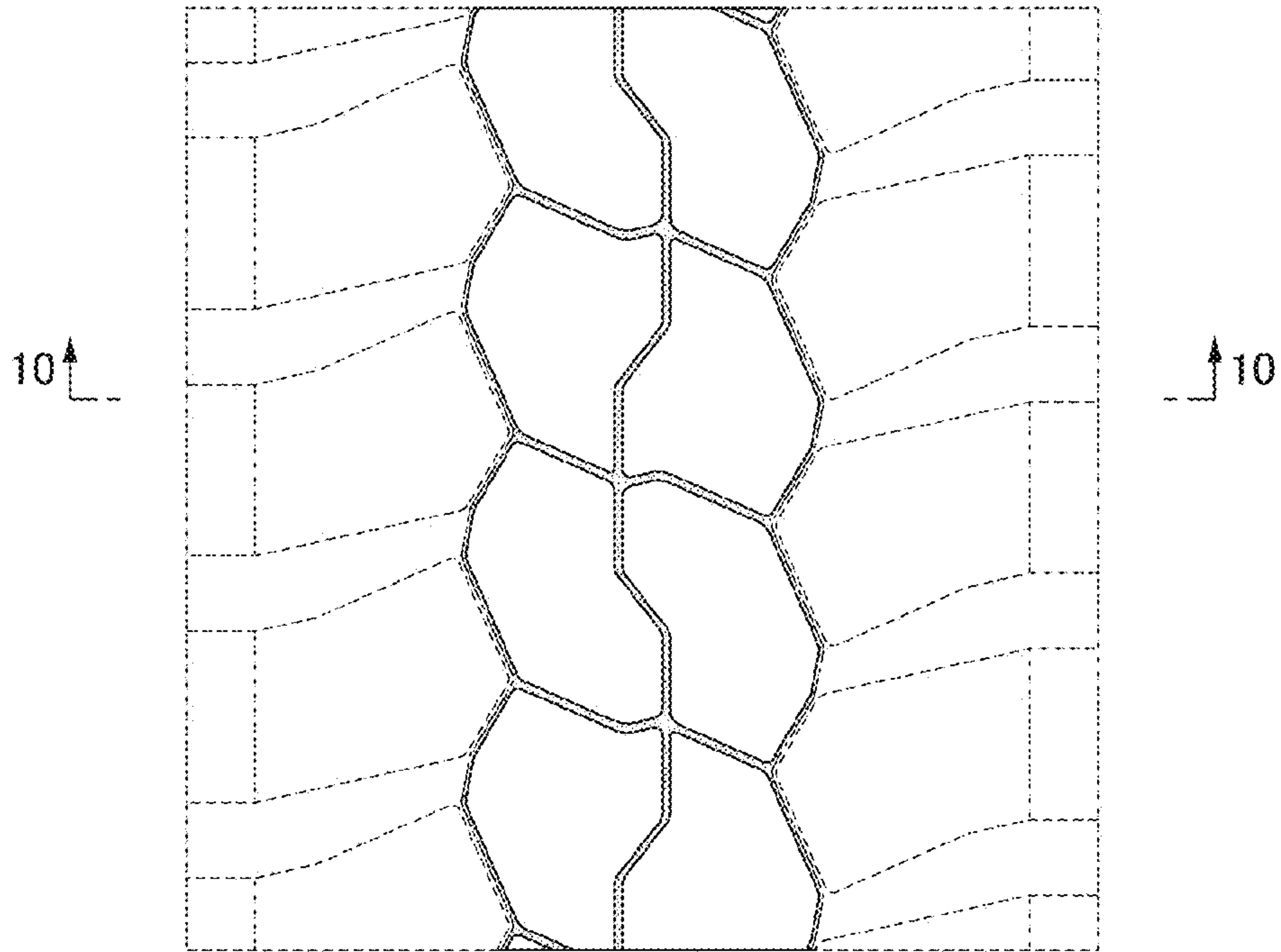


FIG. 10

