



US00D769799S

(12) **United States Design Patent** (10) **Patent No.:** **US D769,799 S**
Sareen (45) **Date of Patent:** **** Oct. 25, 2016**

(54) **TIRE TREAD**

(71) Applicant: **Omni United (S) PTE Ltd.**, Singapore (SG)

(72) Inventor: **Gajendra Singh Sareen**, Singapore (SG)

(73) Assignee: **Omni United (S) PTE Ltd.**, Singapore (SG)

(**) Term: **14 Years**

(21) Appl. No.: **29/520,914**

(22) Filed: **Mar. 18, 2015**

(51) **LOC (10) Cl.** **12-15**

(52) **U.S. Cl.**
USPC **D12/590**

(58) **Field of Classification Search**
USPC D12/559, 564, 586, 588, 589, 590, 591,
D12/594, 595, 598, 600, 601, 602, 603
CPC ... B60C 11/0306; B60C 11/11; B60C 11/12;
B60C 11/0311; B60C 11/0346; B60C
11/0386
See application file for complete search history.

(56) **References Cited**

U.S. PATENT DOCUMENTS

D316,239 S * 4/1991 Tsuda D12/588
D436,331 S * 1/2001 Hanya D12/585

D488,771 S * 4/2004 Villamizar D12/590
D489,676 S * 5/2004 Okubo D12/590
D513,402 S * 1/2006 Shirouzu D12/590
D579,865 S * 11/2008 Matsuyama D12/586
D604,231 S * 11/2009 Hada D12/586
D610,970 S * 3/2010 You D12/590
D613,240 S * 4/2010 Mukai D12/590
D646,627 S * 10/2011 Takemoto D12/588
D659,084 S * 5/2012 Graas D12/590
D709,024 S * 7/2014 Shin D12/586
D746,766 S * 1/2016 Takemoto D12/589

* cited by examiner

Primary Examiner — Robert M Spear

(74) *Attorney, Agent, or Firm* — Steptoe & Johnson LLP

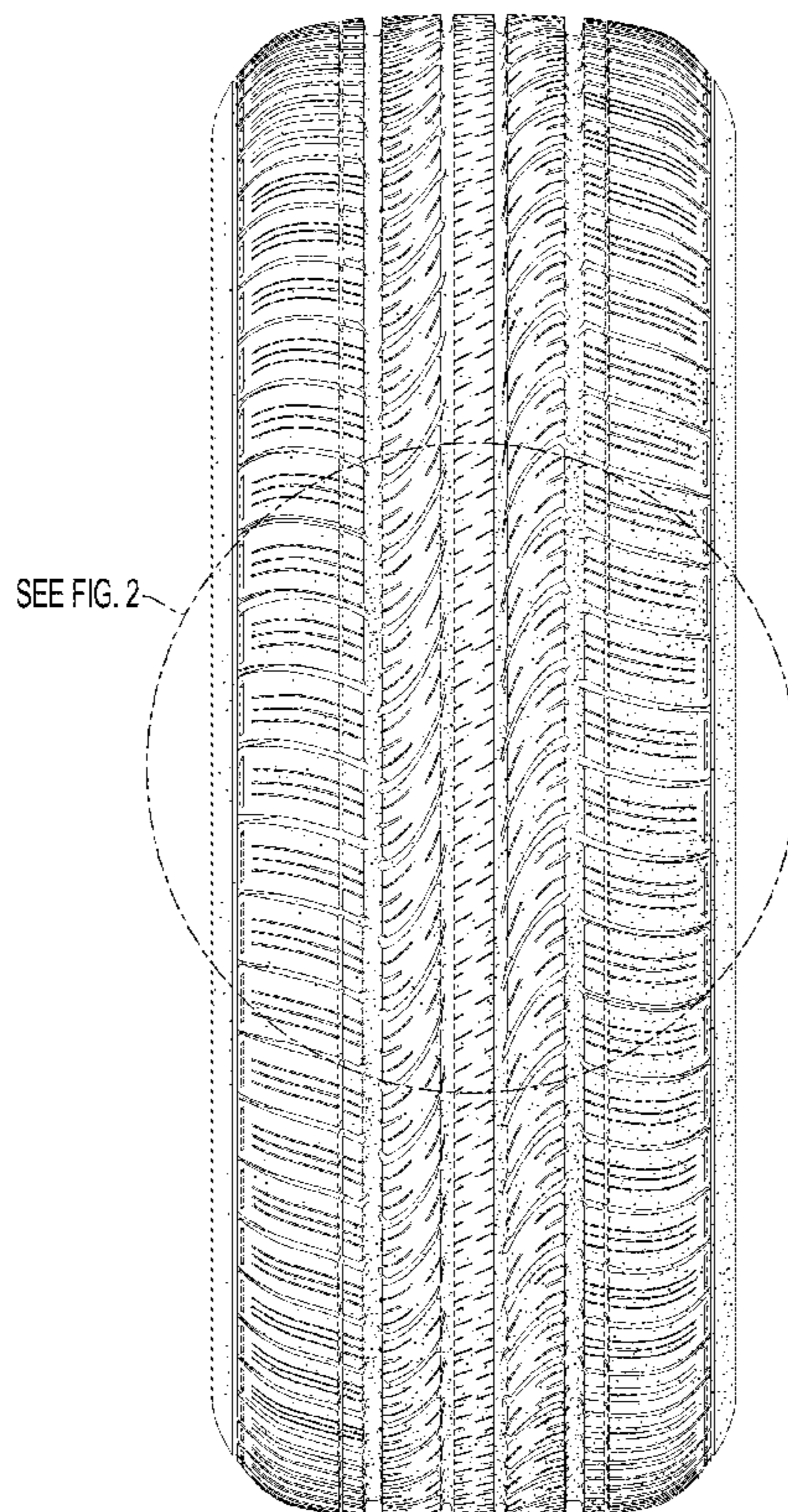
(57) **CLAIM**

I claim the ornamental design for a tire tread, as shown and described.

DESCRIPTION

FIG. 1 is a front view of a tire tread showing my new design; FIG. 2 is an enlarged view of the section of the tire tread defined by the circle in FIG. 1; FIG. 3 is a perspective view of the tire tread; FIG. 4 is an enlarged view of the section of the tire tread defined by the circle in FIG. 3; and, FIG. 5 is a side view of the tire tread.

1 Claim, 5 Drawing Sheets



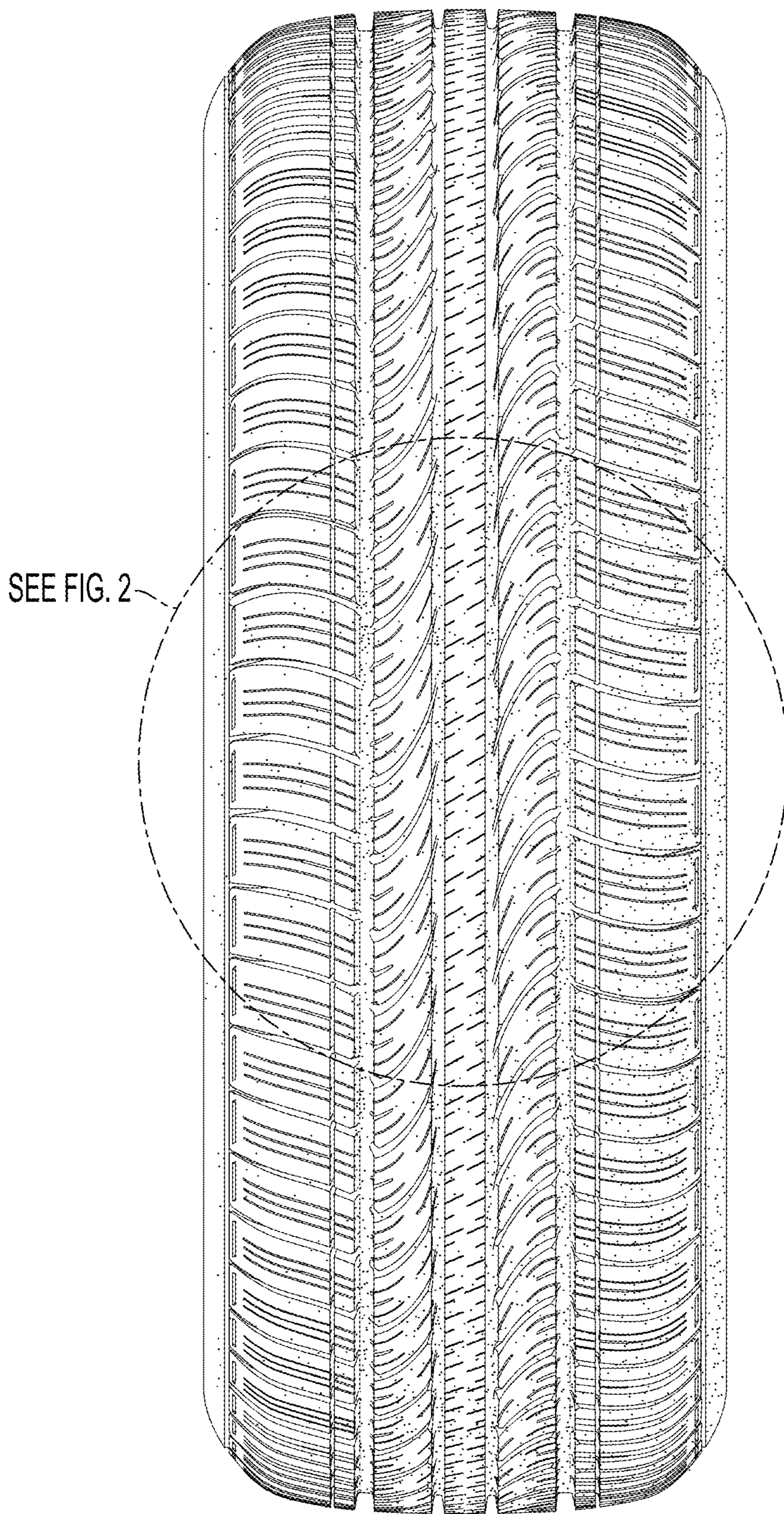


FIG. 1

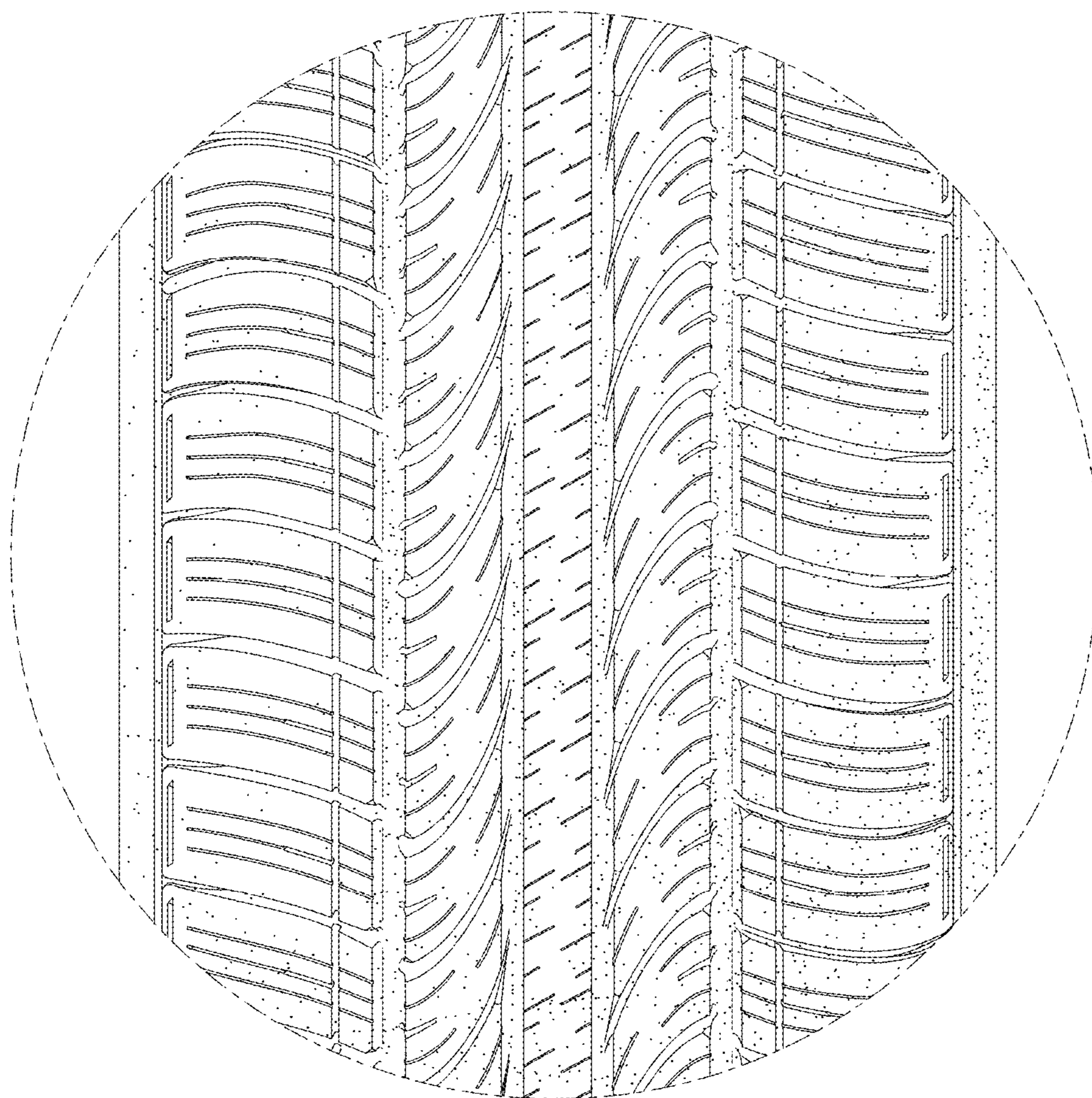


FIG. 2

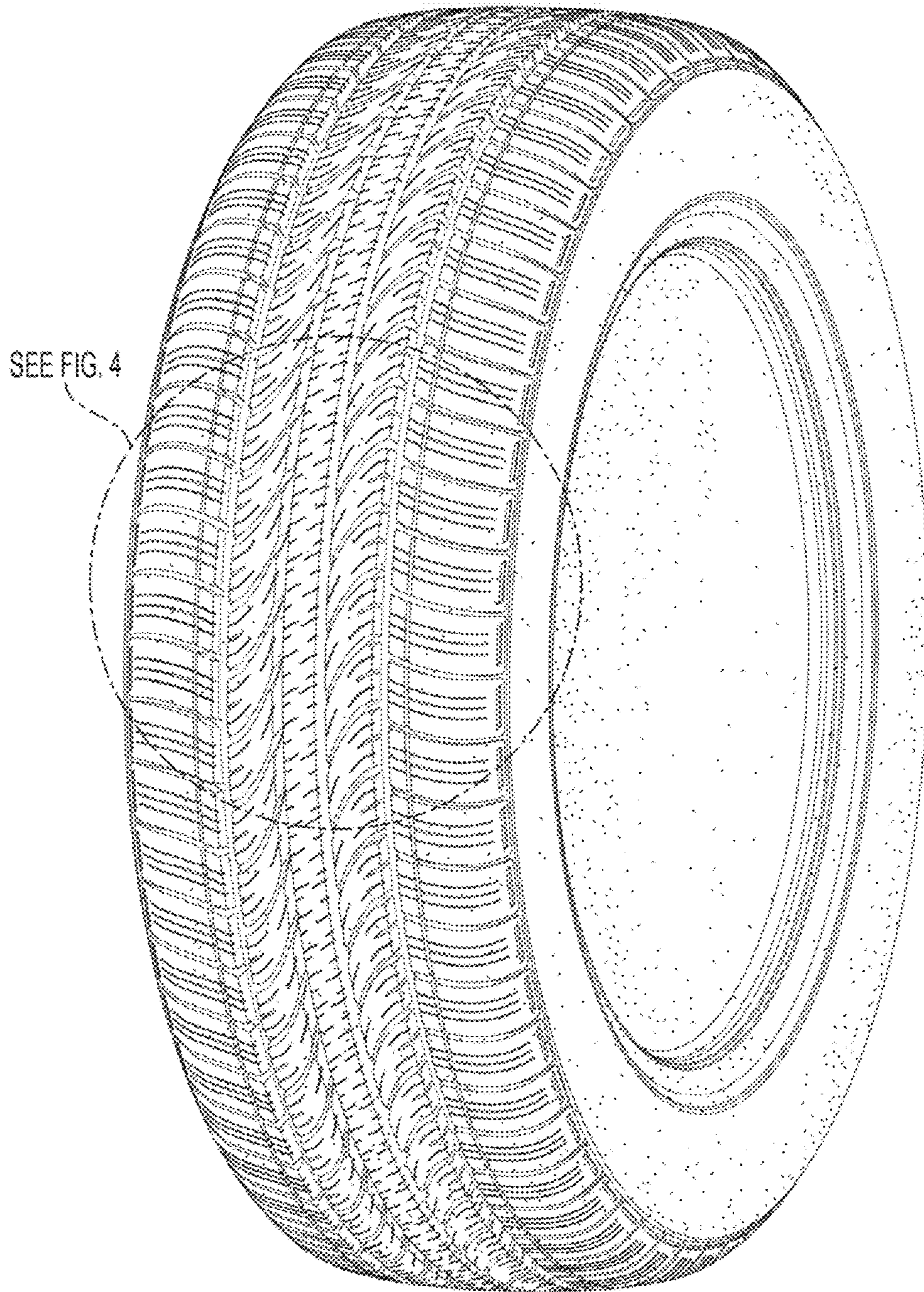


FIG. 3

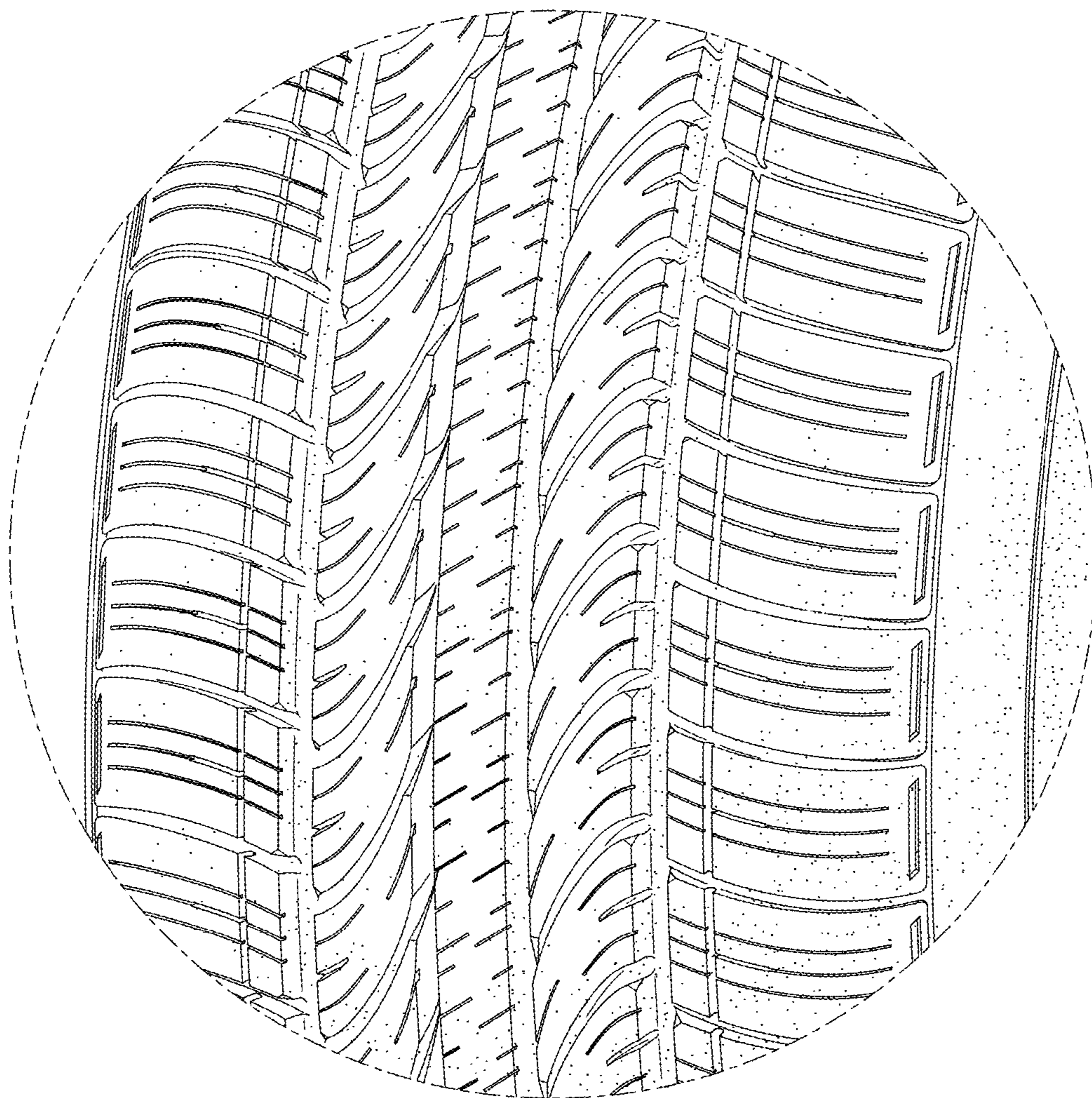


FIG. 4

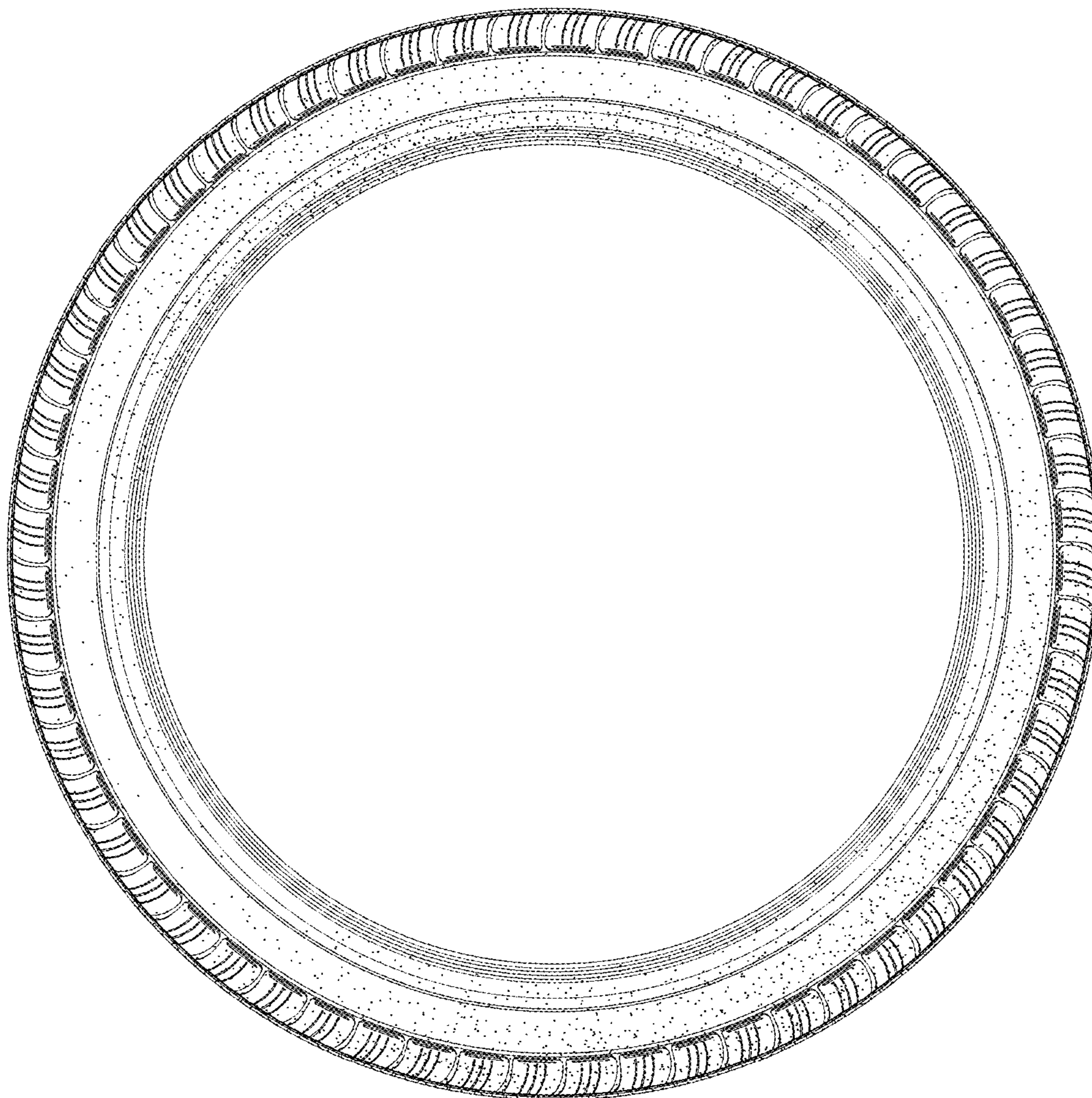


FIG. 5